



US00D831669S

(12) **United States Design Patent** (10) **Patent No.:** **US D831,669 S**
Shim (45) **Date of Patent:** **** Oct. 23, 2018**

(54) **HANDHELD STORAGE DEVICE**
(71) Applicant: **SAMSUNG ELECTRONICS CO., LTD.**, Suwon-si (KR)

(72) Inventor: **Hyung Sup Shim**, Seoul (KR)

(73) Assignee: **SAMSUNG ELECTRONICS CO., LTD.**, Suwon-si (KR)

(**) Term: **15 Years**

(21) Appl. No.: **29/600,696**

(22) Filed: **Apr. 14, 2017**

(30) **Foreign Application Priority Data**

Nov. 11, 2016 (KR) 30-2016-0054476

(51) **LOC (11) Cl.** **14-02**

(52) **U.S. Cl.**
USPC **D14/480.5**

(58) **Field of Classification Search**
USPC D14/435.1, 480.1-480.7, 411, 433, 436,
D14/484.1, 137, 155, 203.1-203.8, 240,
D14/242; D13/133, 154
See application file for complete search history.

(56) **References Cited**

U.S. PATENT DOCUMENTS

D554,119 S *	10/2007	Otsuka	D14/480.5
D556,752 S *	12/2007	Otsuka	D14/480.5
D583,374 S *	12/2008	Otsuka	D14/480.5
D623,192 S *	9/2010	Peng	D14/480.6
D648,730 S *	11/2011	Huang	D14/480.5
D671,123 S *	11/2012	Ni	D14/480.1
D706,278 S *	6/2014	Fukuoka	D14/480.5
D711,891 S *	8/2014	Emami	D14/480.5
D754,138 S *	4/2016	Otsuka	D14/480.1
D759,021 S *	6/2016	Shim	D14/435.1

D767,580 S *	9/2016	Billington	D14/480.5
D771,636 S *	11/2016	Shim	D14/480.1
D798,308 S *	9/2017	Tzeng	D14/480.5

* cited by examiner

Primary Examiner — Angela J Lee

(74) *Attorney, Agent, or Firm* — Sughrue Mion, PLLC

(57) **CLAIM**

The ornamental design for a handheld storage device, as shown and described.

DESCRIPTION

FIG. 1 is a perspective view illustrating my design for a handheld storage device.

FIG. 2 is a front view thereof.

FIG. 3 is a rear view thereof.

FIG. 4 is a left side view thereof.

FIG. 5 is a right side view thereof.

FIG. 6 is a top plan view thereof.

FIG. 7 is a bottom plan view thereof.

FIG. 8 is a perspective view illustrating a portion of the handheld storage device shown without a cover for clarity of illustration.

FIG. 9 is a front view thereof.

FIG. 10 is a rear view thereof.

FIG. 11 is a left side view thereof.

FIG. 12 is a right side view thereof.

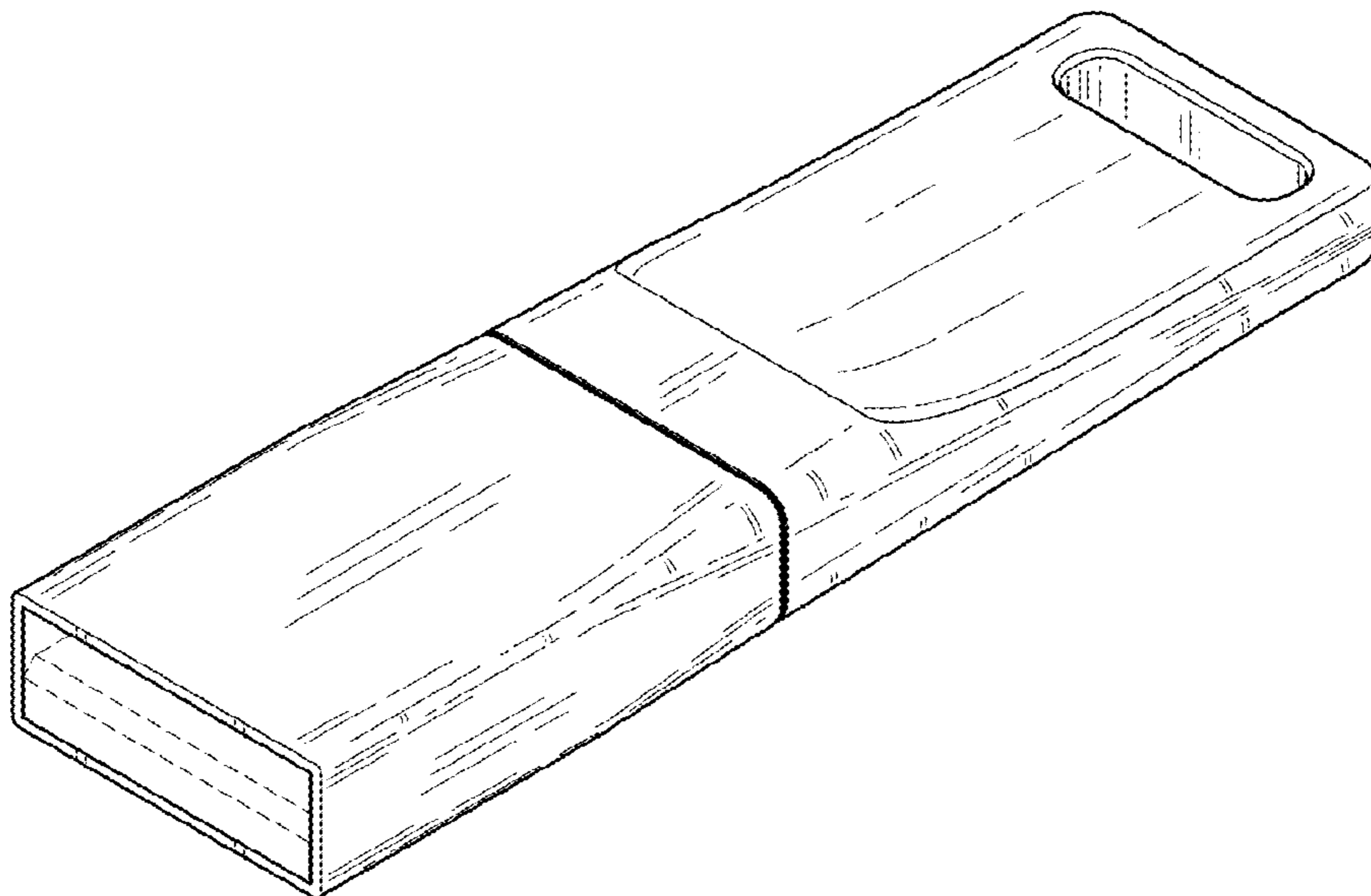
FIG. 13 is a top plan view thereof.

FIG. 14 is a bottom plan view thereof; and,

FIG. 15 is a perspective view showing my design for a handheld storage device shown with the cover removed from the device for clarity of illustration.

The broken lines are for illustrative purposes only and form no part of the claimed design.

1 Claim, 11 Drawing Sheets



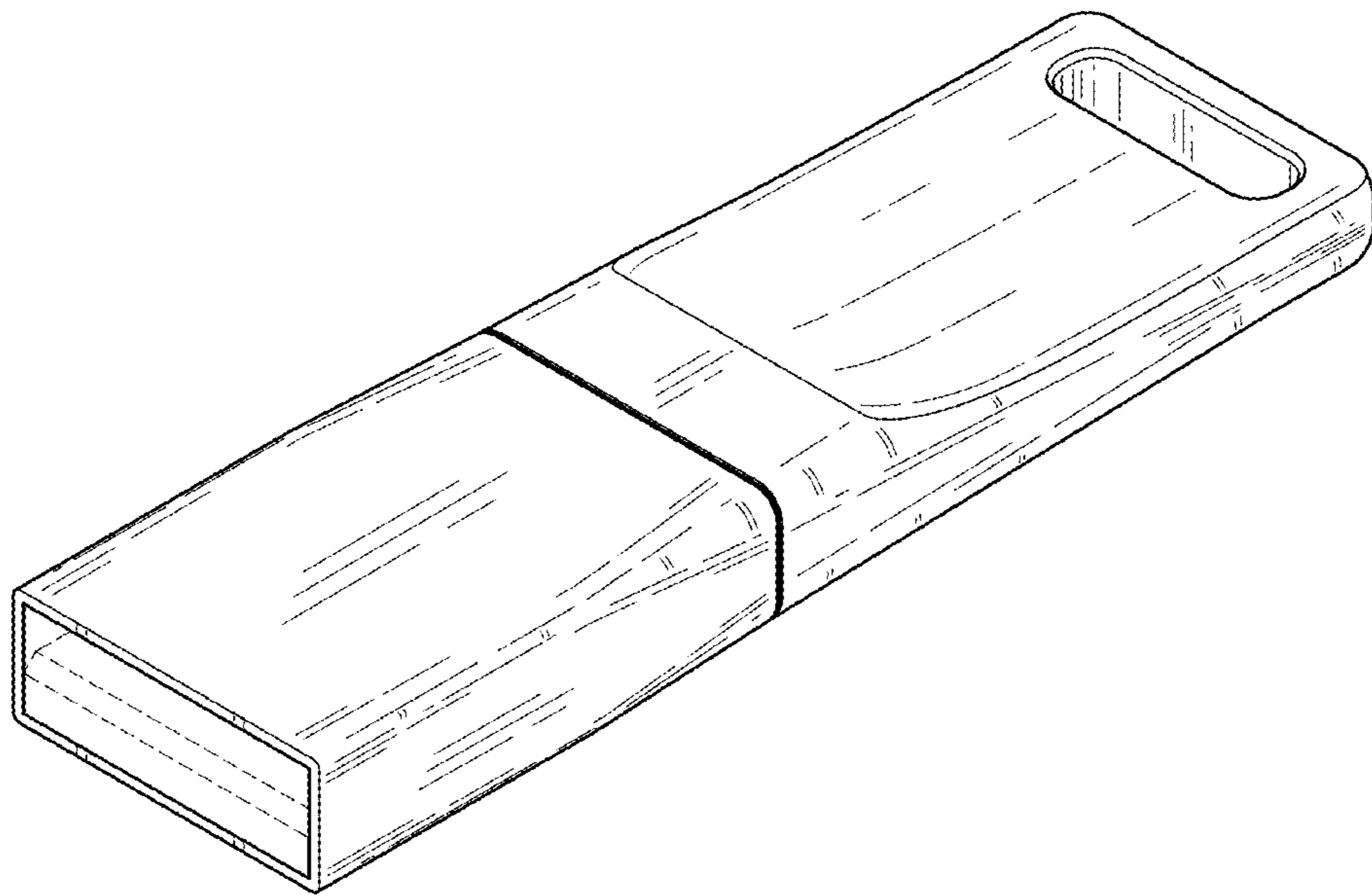


FIG. 1

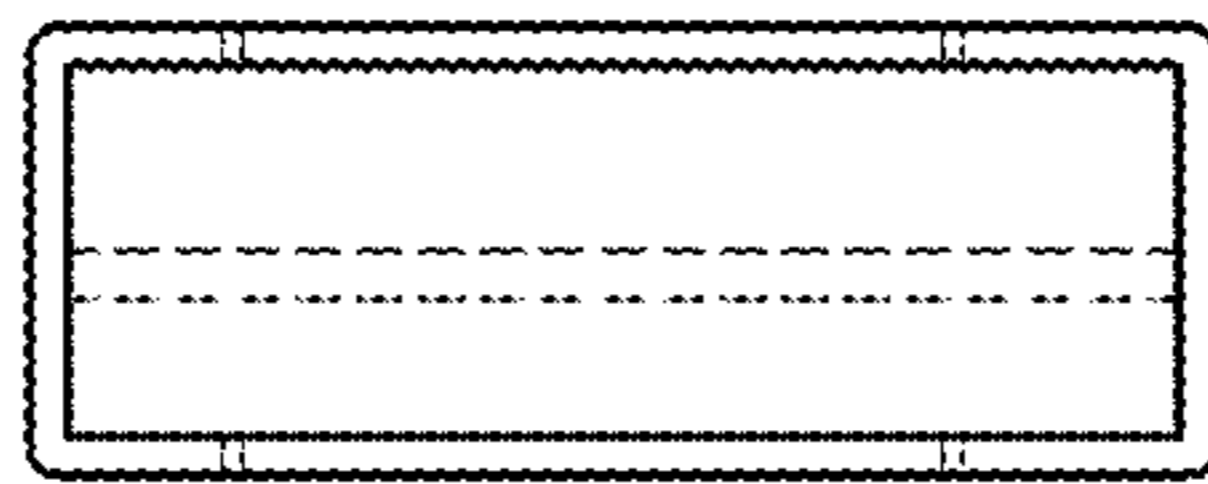


FIG. 2

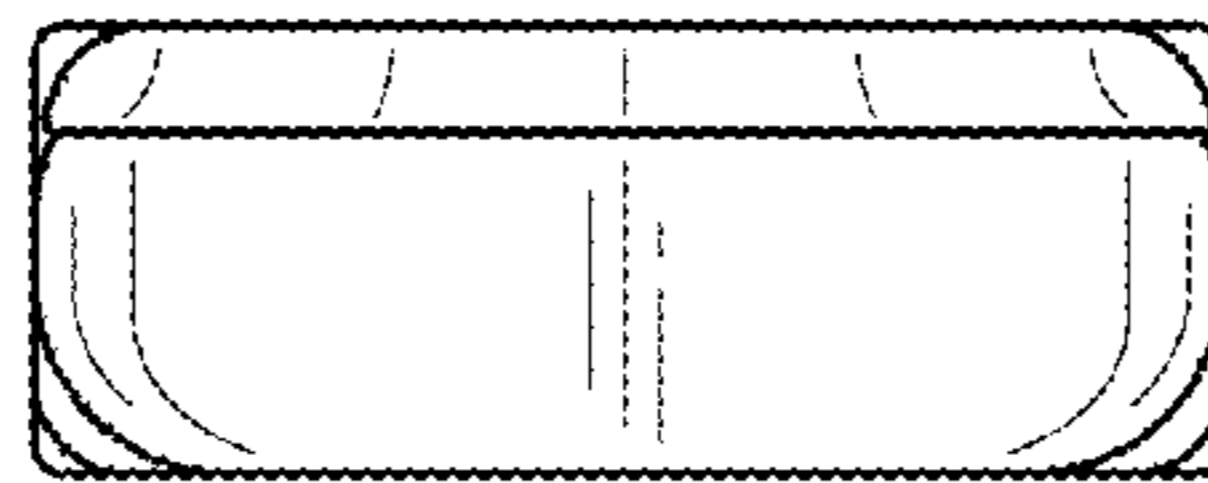


FIG. 3



FIG. 4

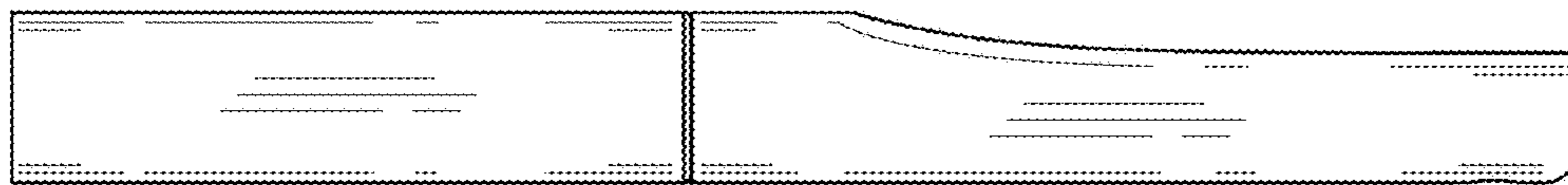


FIG. 5

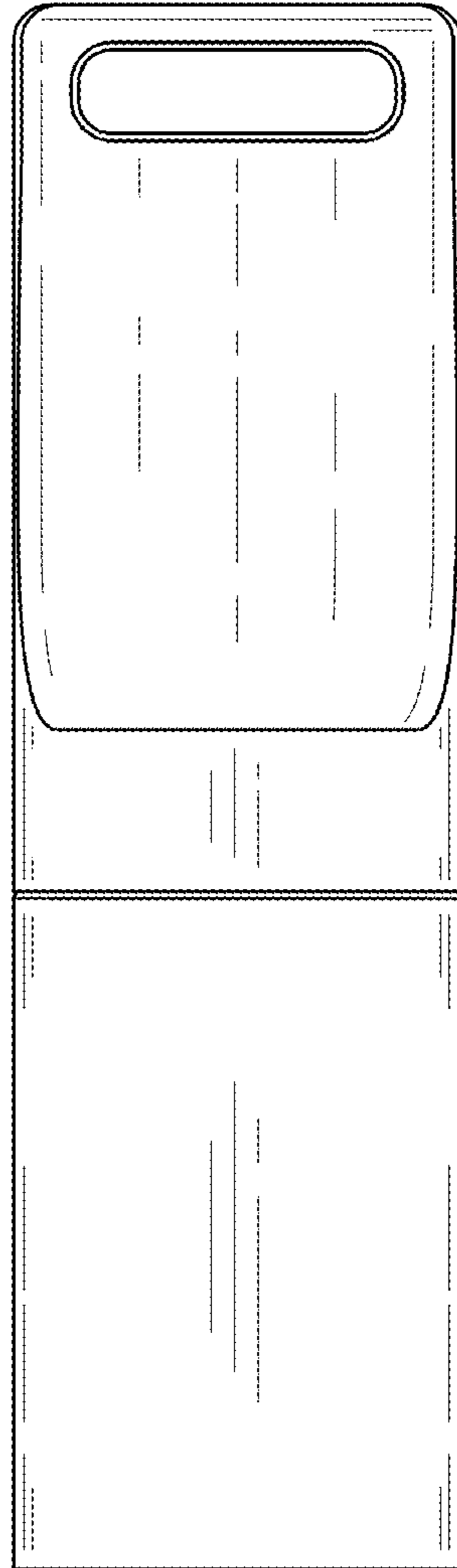


FIG. 6

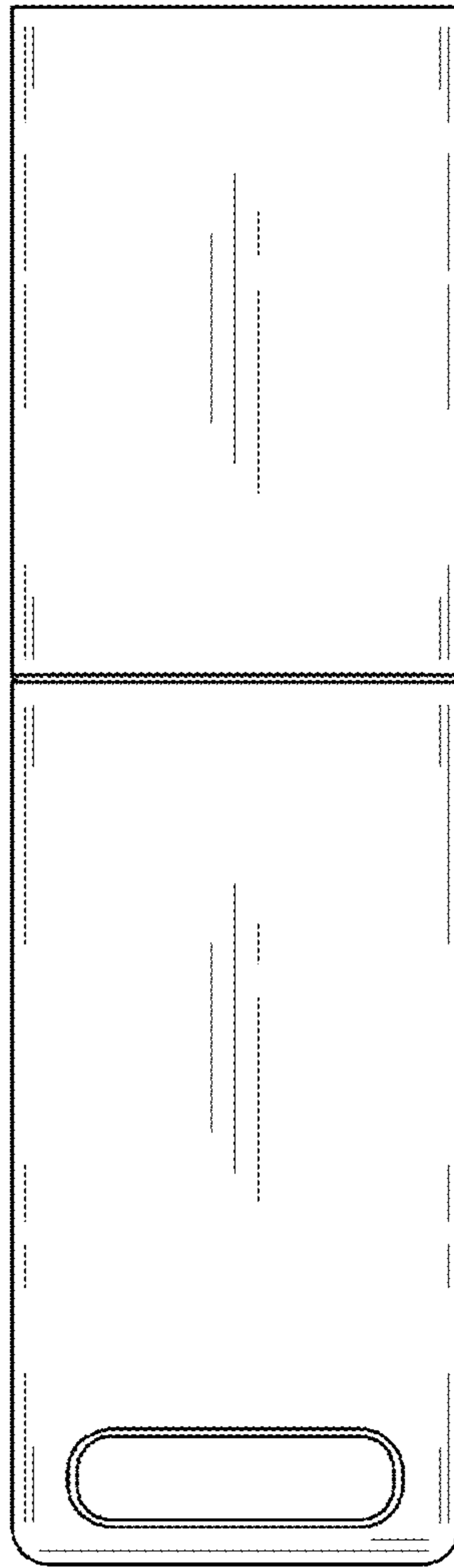


FIG. 7

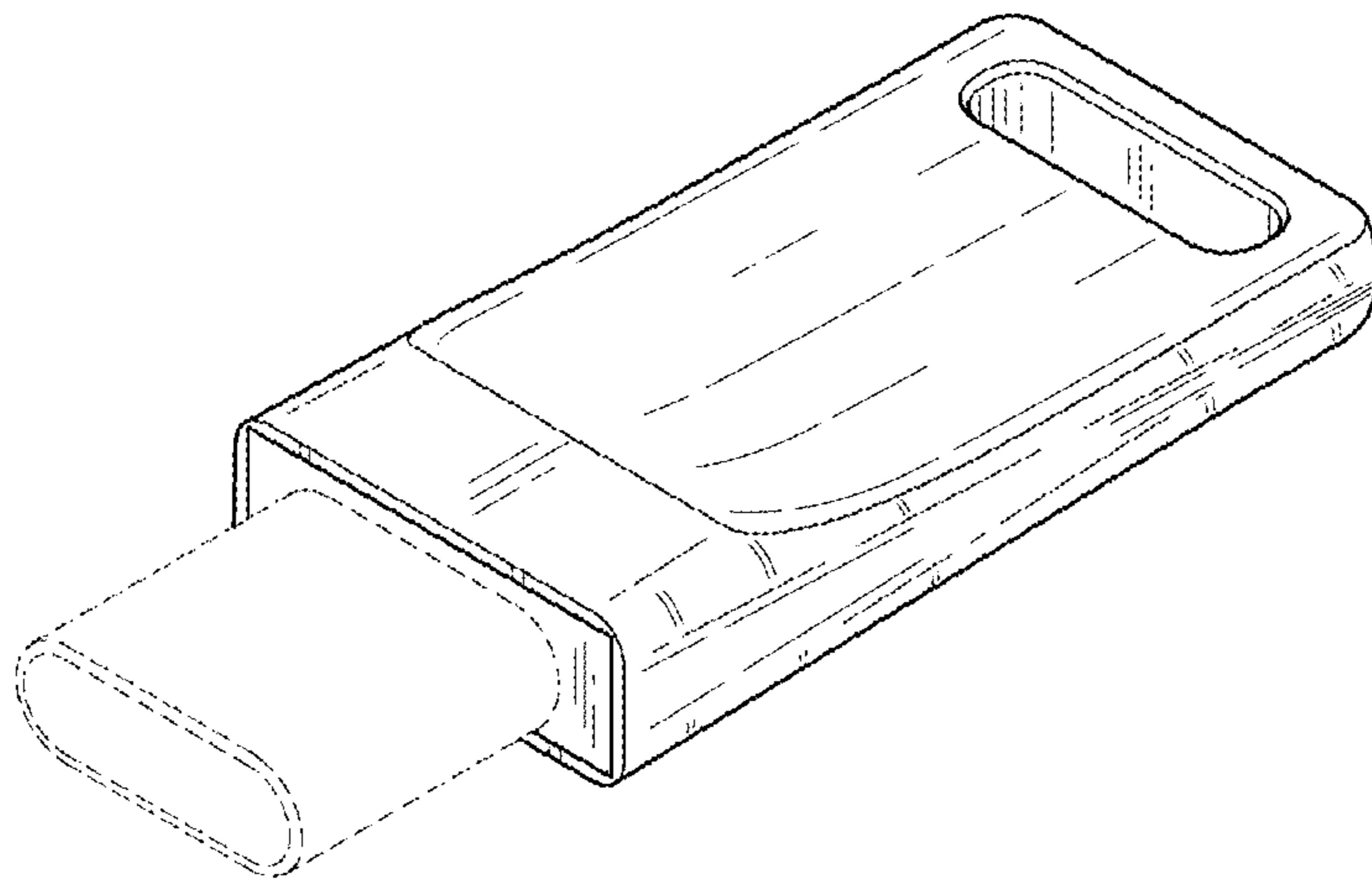


FIG. 8

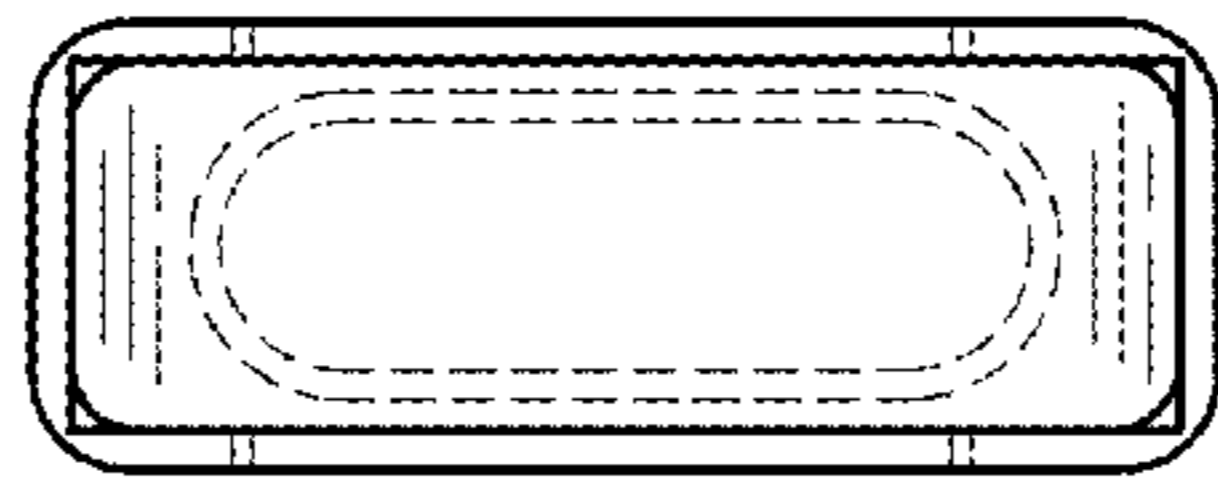


FIG. 9

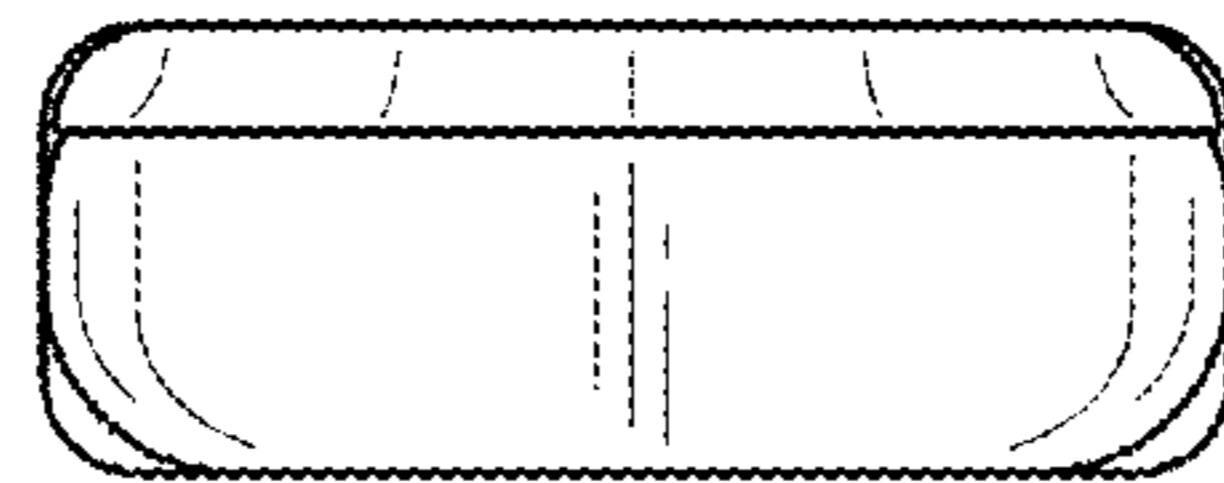


FIG. 10

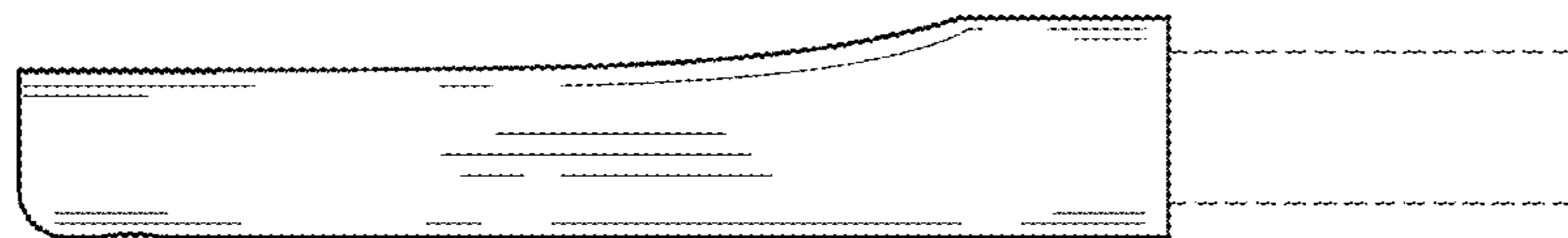


FIG. 11

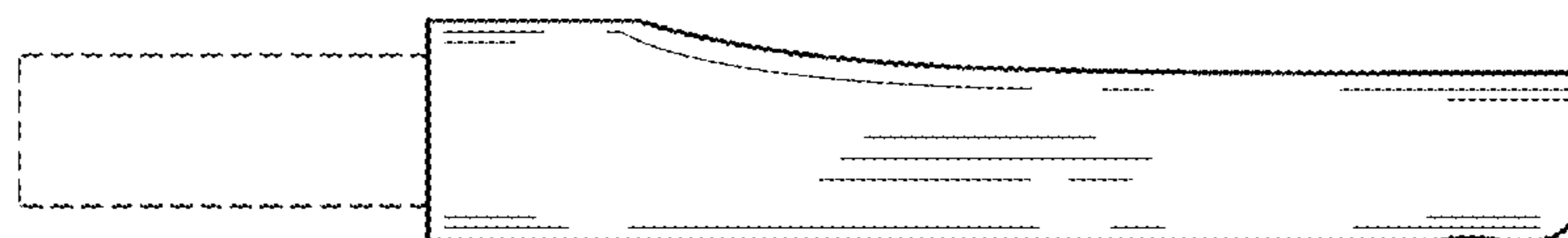


FIG. 12

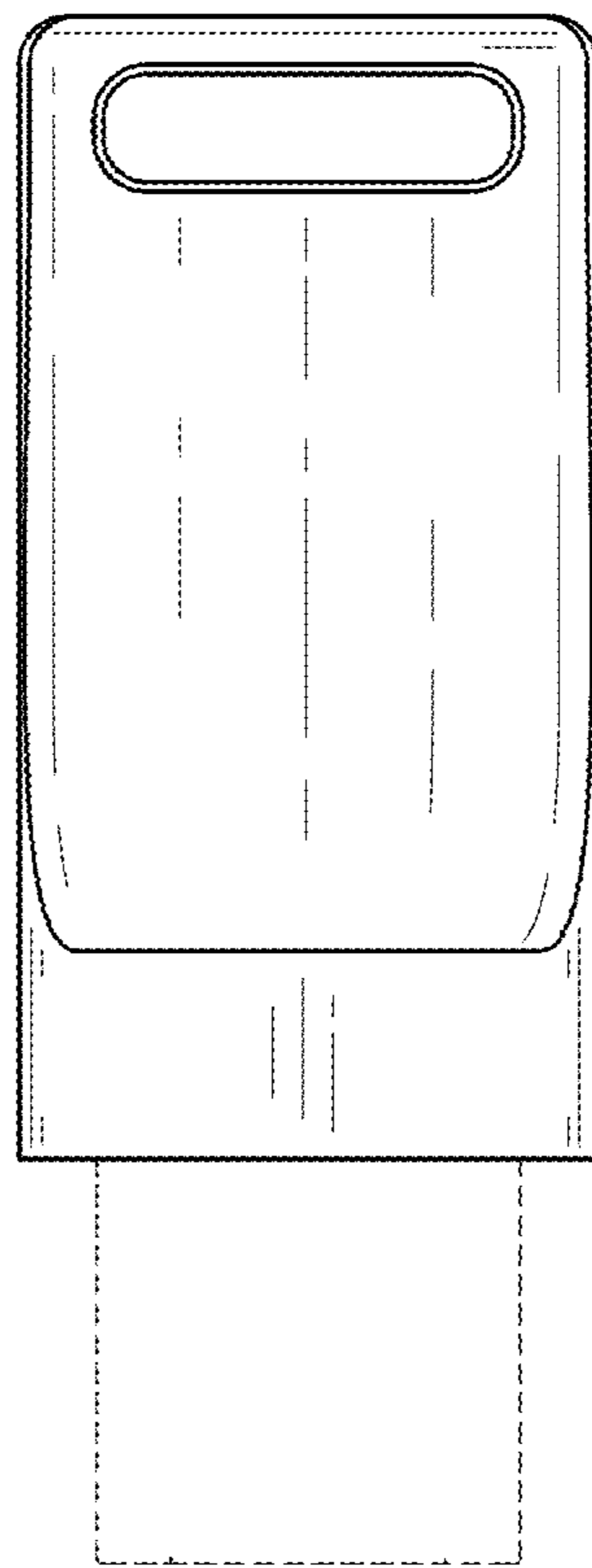


FIG. 13

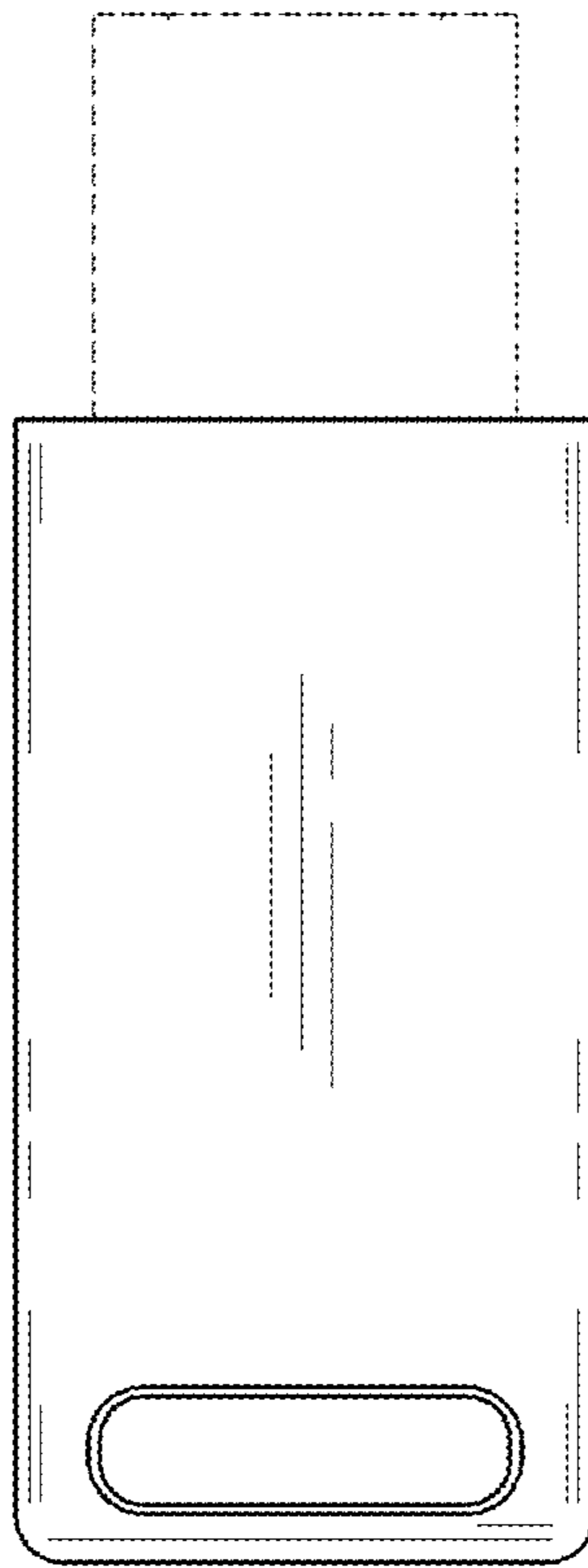


FIG. 14

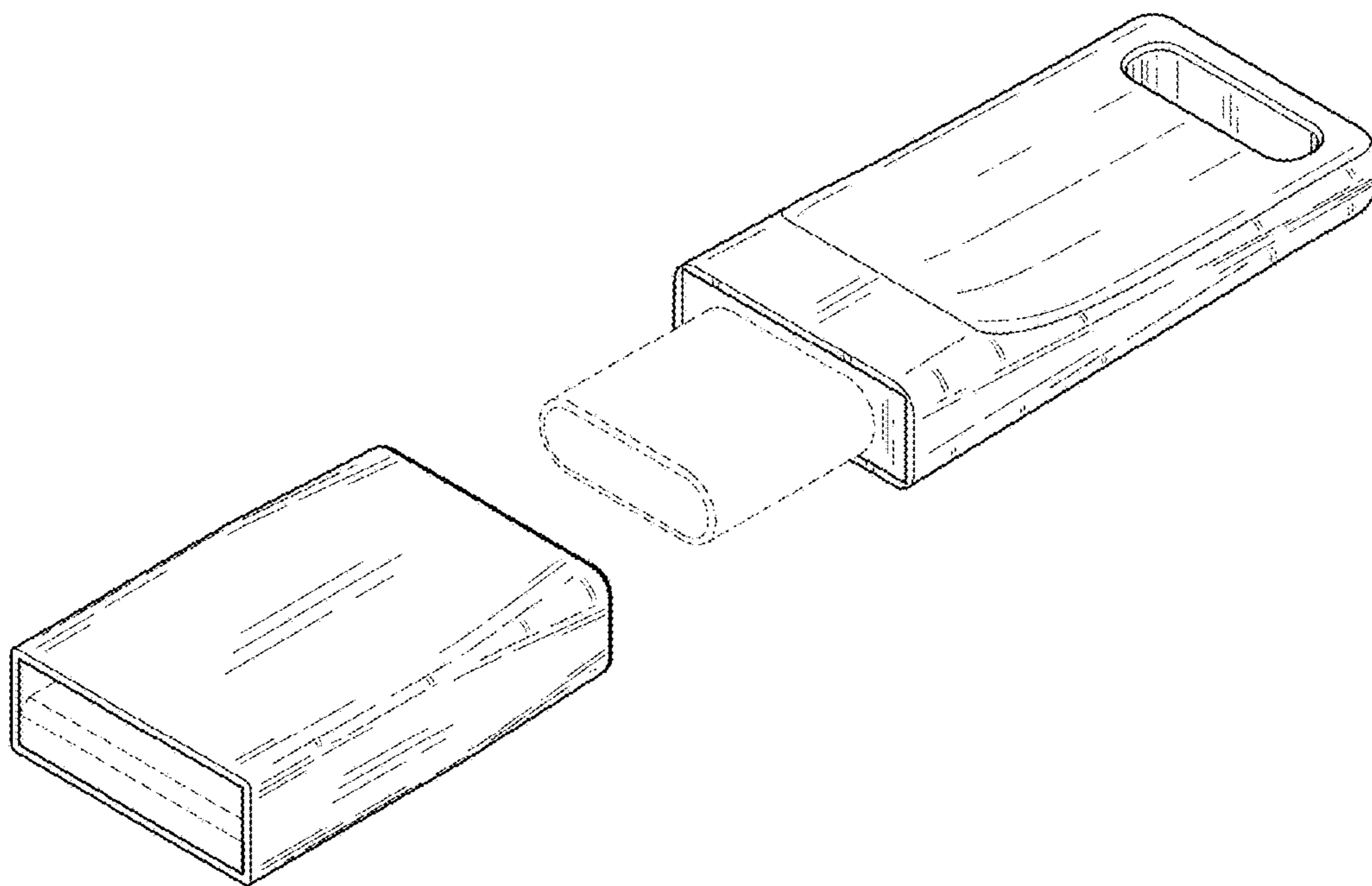


FIG. 15