



US00D831668S

(12) **United States Design Patent** (10) **Patent No.:** **US D831,668 S**  
**Oakley** (45) **Date of Patent:** **\*\* Oct. 23, 2018**

(54) **ELECTRONIC DEVICE WITH STAND**  
(71) Applicant: **Intel Corporation**, Santa Clara, CA (US)  
(72) Inventor: **Nicholas W. Oakley**, Portland, OR (US)  
(73) Assignee: **Intel Corporation**, Santa Clara, CA (US)  
(\*\*) Term: **15 Years**  
(21) Appl. No.: **29/540,678**  
(22) Filed: **Sep. 25, 2015**  
(51) **LOC (11) Cl.** ..... **14-02**  
(52) **U.S. Cl.**  
USPC ..... **D14/451**; D14/239  
(58) **Field of Classification Search**  
USPC ..... D14/371-382, 125-129, 336, 337, D14/447-452, 492, 335, 376-382, 239, D14/448, 457, 439-441, 432, 251-253; D8/349, 354, 363, 373, 376, 380; D21/333; D12/415; D3/218; 348/180, 348/184, 325, 739, 825  
CPC ..... G06F 3/0412; G06F 3/016; G06F 3/0488; G06F 3/011; G06F 3/038; G06F 3/03543; G06F 3/0338; G06F 3/0202; G06F 3/0219; G06F 3/0213; G06F 1/1616; G06F 3/023; G06F 3/04883; G02F 1/13338; G02F 1/1313; G02F 1/1333; G02F 1/135; G02F 1/132; G02F 1/133308; G02F 1/134309; G02F 1/13718; G09G 3/3648; G06K 15/1252; B41J 2/465; G03F 7/70291; G02B 27/0172; G02B 5/30; G02B 2027/0118; G02B 27/0101; F16M 13/02; F16M 13/00; F16M 11/10; F16M 11/04; F16M 2200/08; F16M 11/2021; A47B 21/0314; A47B

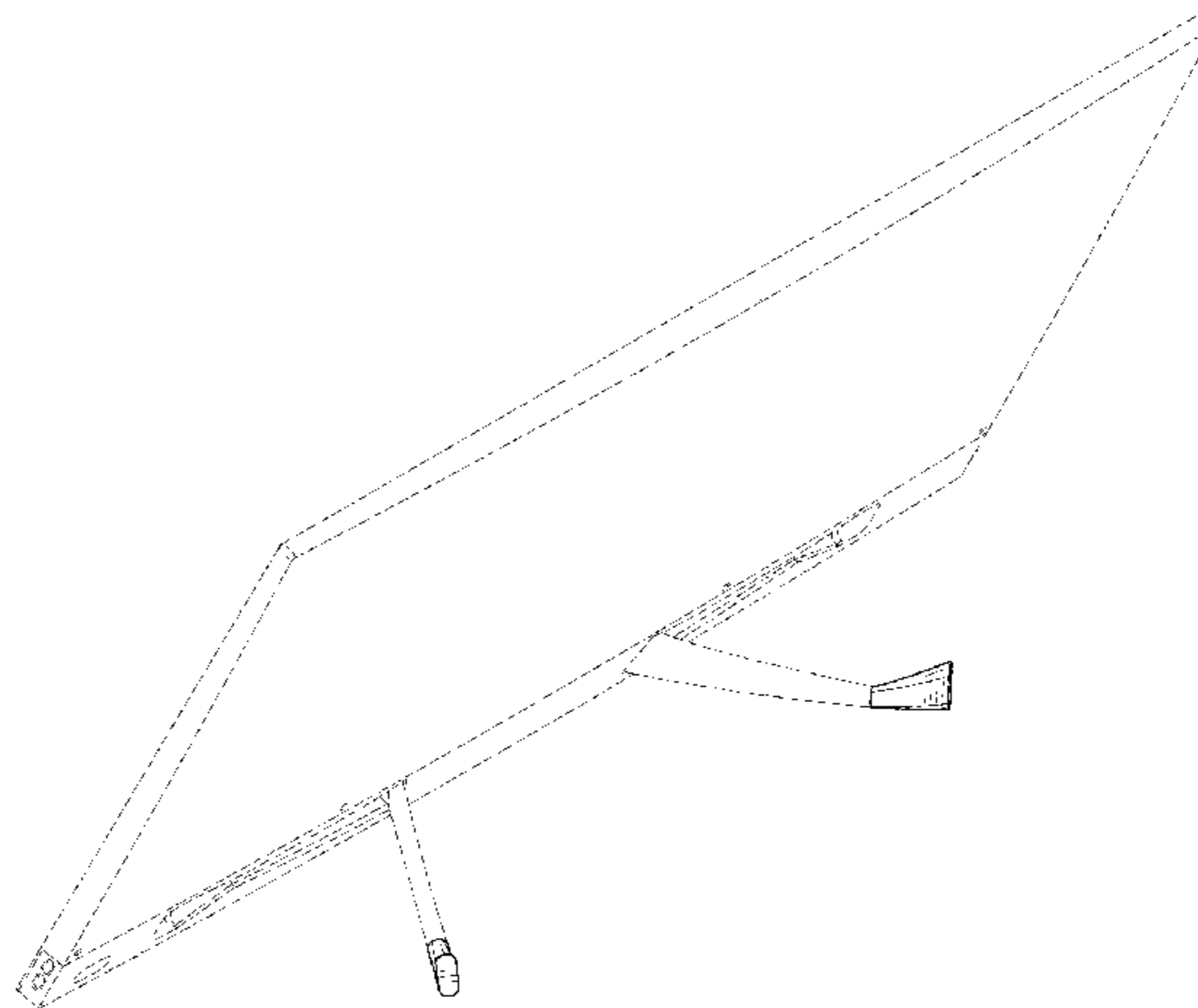
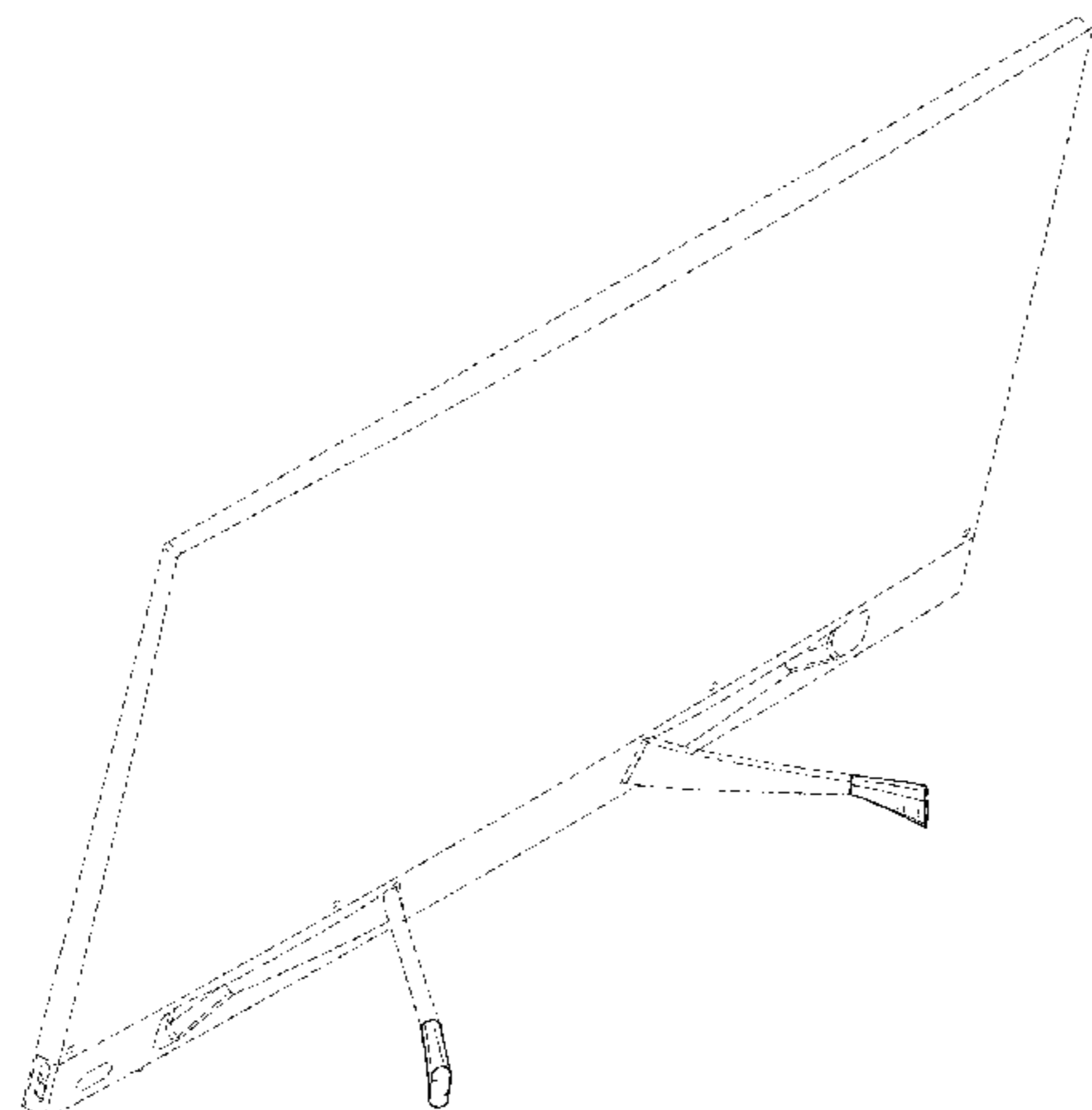
(Continued)

(56) **References Cited**  
U.S. PATENT DOCUMENTS  
3,906,848 A \* 9/1975 Gow ..... A47J 37/0871  
108/115  
4,834,235 A \* 5/1989 Solheim ..... A63B 55/50  
206/315.7  
(Continued)  
*Primary Examiner* — Katie Jane Stoffko  
(74) *Attorney, Agent, or Firm* — Patent Capital Group

(57) **CLAIM**  
The ornamental design for an electronic device with stand, as shown and described.

**DESCRIPTION**  
FIG. 1 is a perspective view of a first embodiment of an electronic device with stand;  
FIG. 2 is a front elevation view thereof;  
FIG. 3 is a back elevation view thereof;  
FIG. 4 is a left side elevation view thereof;  
FIG. 5 is a right side elevation view thereof;  
FIG. 6 is a top plan view thereof;  
FIG. 7 is a bottom plan view thereof;  
FIG. 8 is a perspective view of a second embodiment of an electronic device with stand;  
FIG. 9 is a front elevation view thereof;  
FIG. 10 is a back elevation view thereof;  
FIG. 11 is a left side elevation view thereof;  
FIG. 12 is a right side elevation view thereof;  
FIG. 13 is a top plan view thereof;  
FIG. 14 is a bottom plan view thereof;  
FIG. 15 is another perspective view of the electron device with stand show in FIG. 1 with the adjustable tilts shown in an alternate position;  
FIG. 16 is a back elevation view thereof; and,  
FIG. 17 is a back elevation view of the electronic device with stand shown in FIGS. 1 and 15 with the adjustable tilts shown in an alternate position.

(Continued)



The broken lines in FIGS. 1-17 illustrate portions of the electronic device with stand that form no part thereof.

**1 Claim, 13 Drawing Sheets**

**(58) Field of Classification Search**

CPC ..... 88/044; A47B 2021/0335; H02G 3/126;  
A47G 1/17; F16B 47/00; F16B 47/006;  
A47K 2201/00

See application file for complete search history.

**(56) References Cited**

U.S. PATENT DOCUMENTS

5,165,635 A \* 11/1992 Hoshino ..... F16M 11/28  
248/169  
5,560,582 A \* 10/1996 Beelen ..... B25H 1/00  
248/439  
5,913,668 A \* 6/1999 Messer ..... F41A 23/16  
42/94  
8,016,700 B2 \* 9/2011 McTavish ..... A63B 69/0097  
473/434  
D683,735 S \* 6/2013 Chang ..... D14/451  
D695,299 S \* 12/2013 Li ..... D14/451  
D698,794 S \* 2/2014 Li ..... D14/451  
D698,795 S \* 2/2014 Chang ..... D14/451  
D721,713 S \* 1/2015 Ko ..... D14/451  
D758,376 S \* 6/2016 Lu ..... D14/451  
D760,233 S \* 6/2016 Lu ..... D14/451

\* cited by examiner

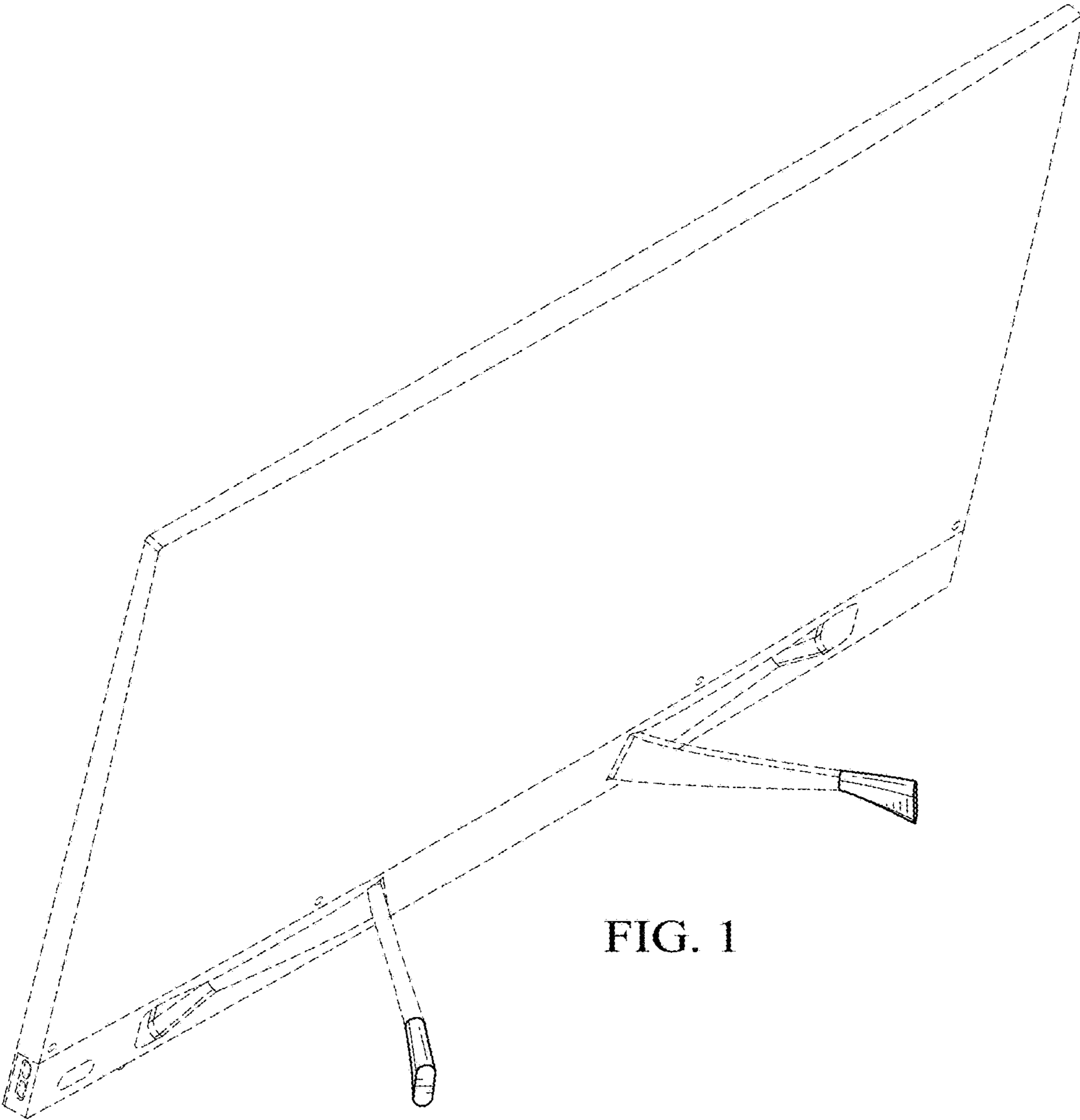


FIG. 1

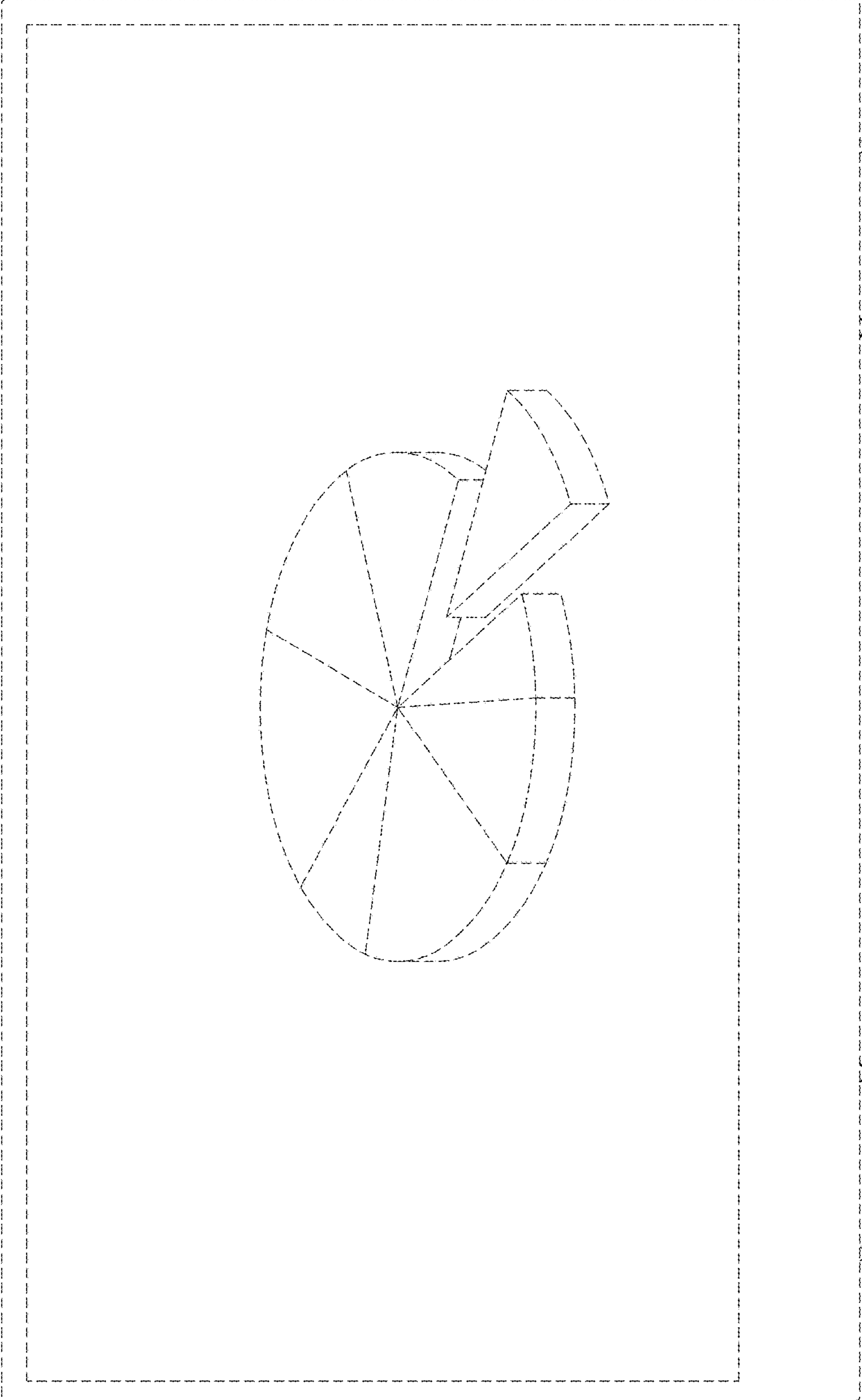


FIG. 2

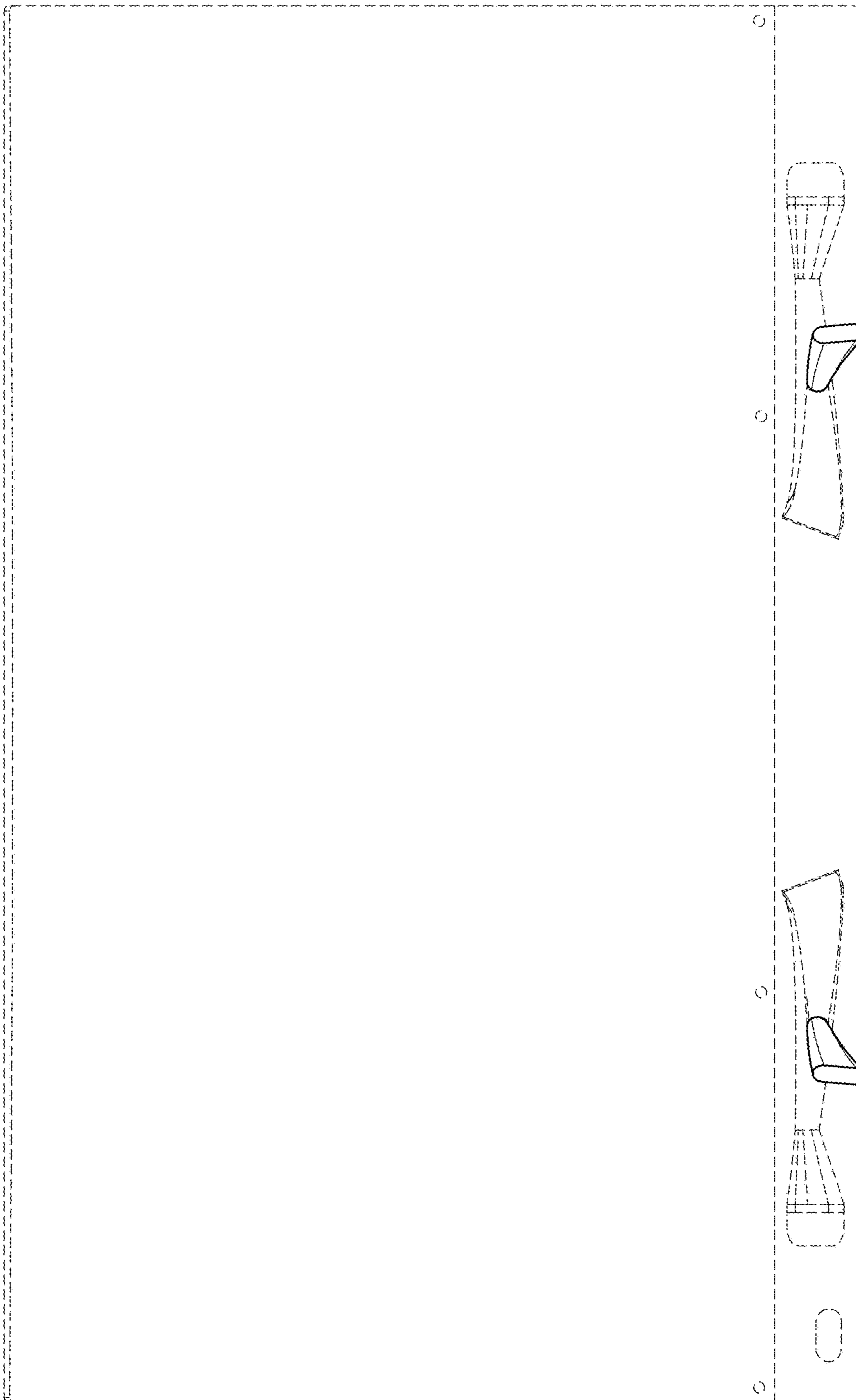


FIG. 3

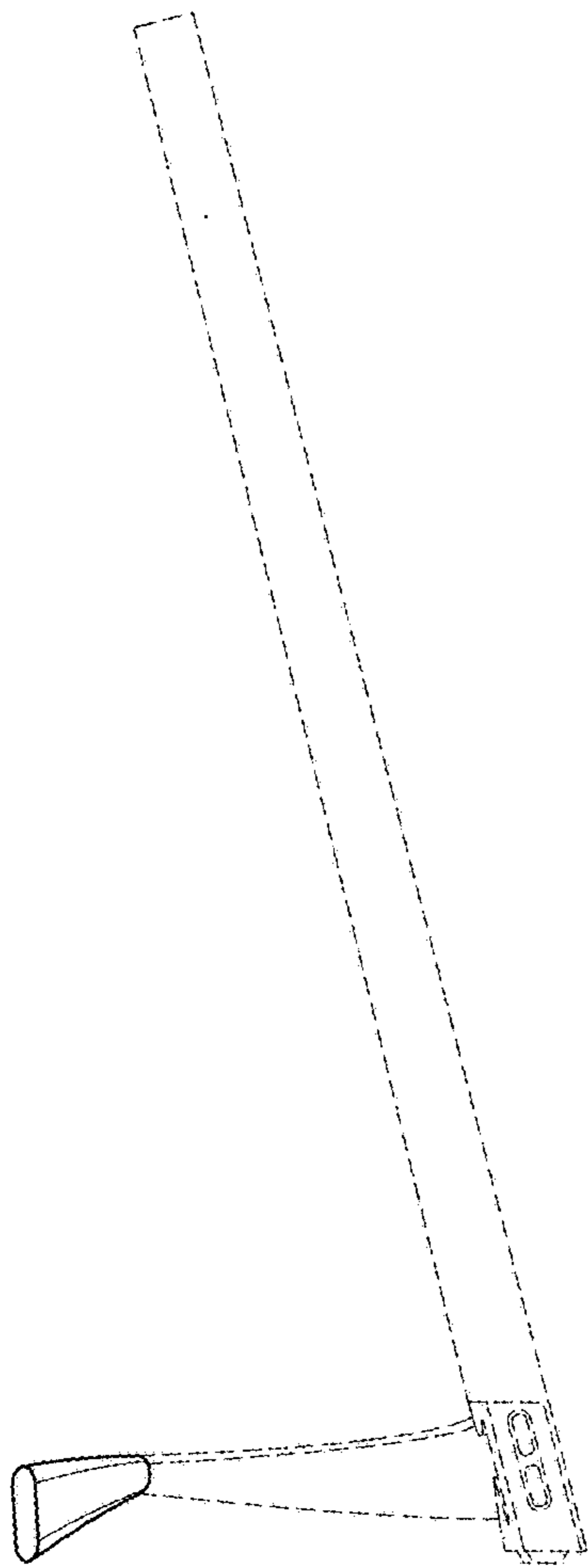


FIG. 4

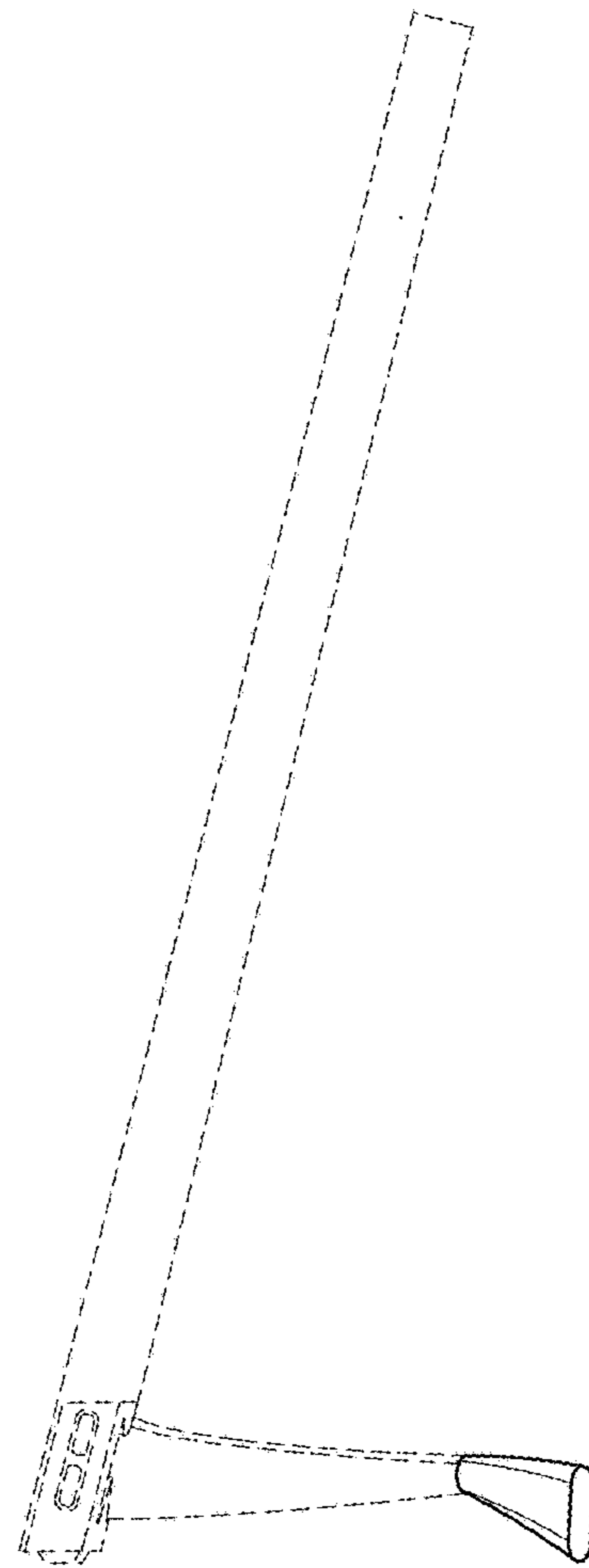


FIG. 5

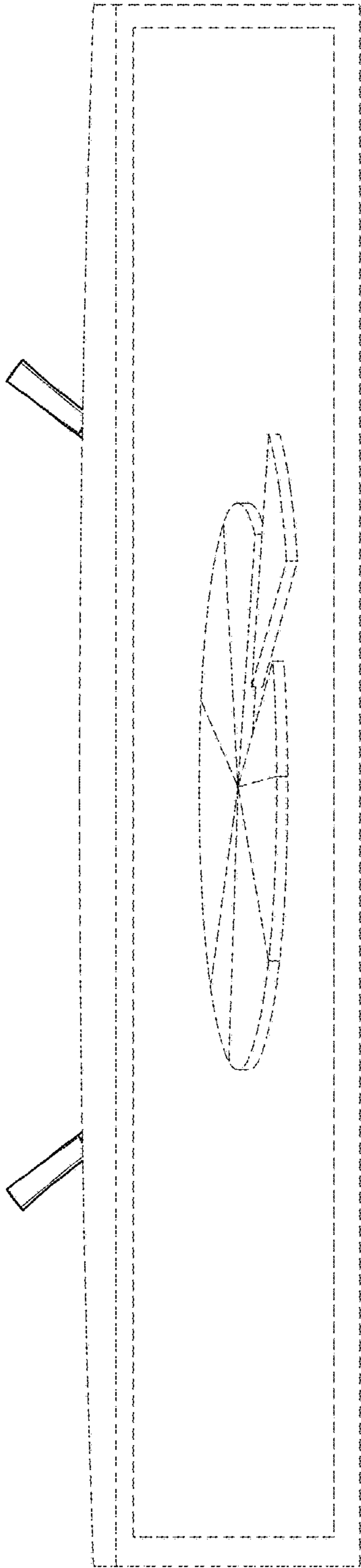


FIG. 6

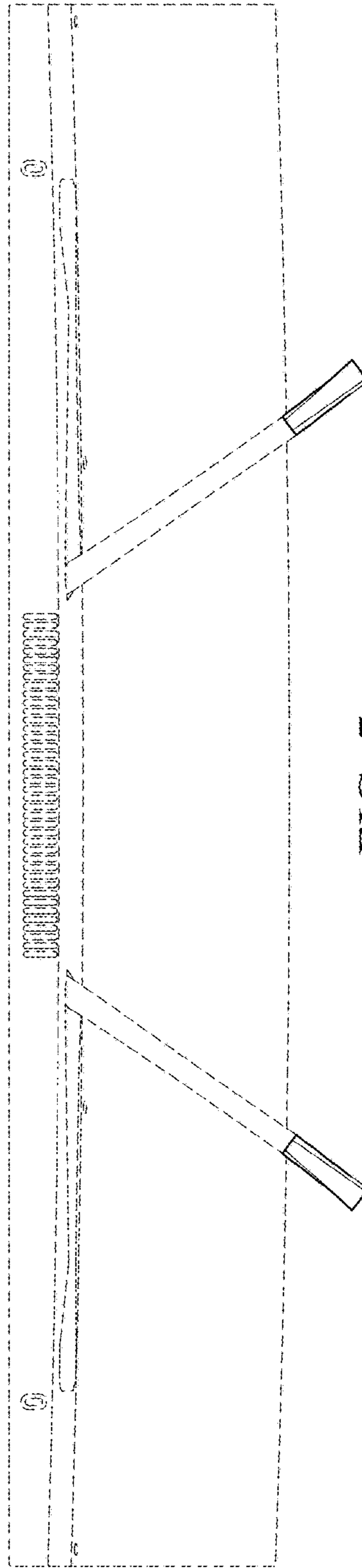


FIG. 7

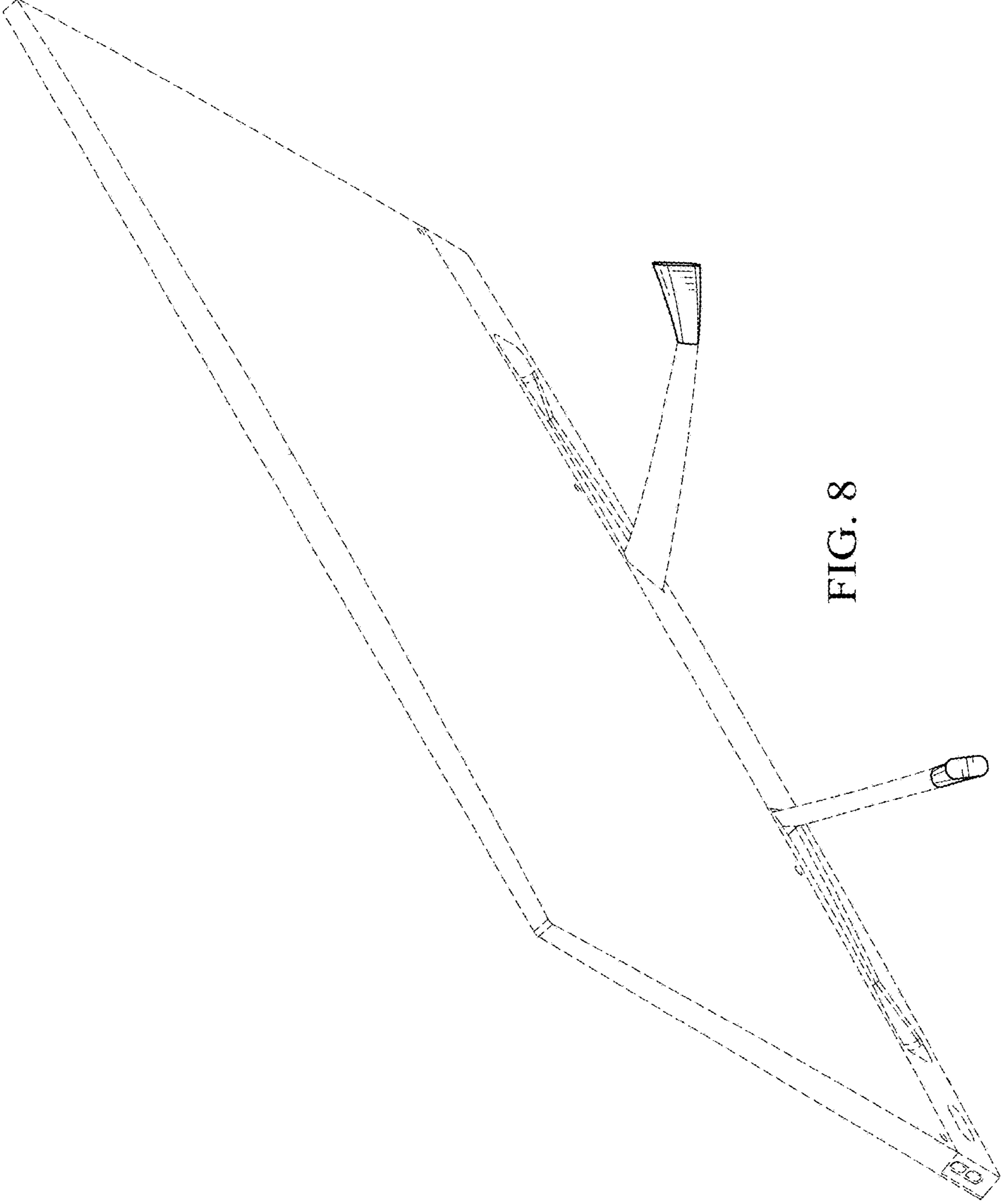


FIG. 8



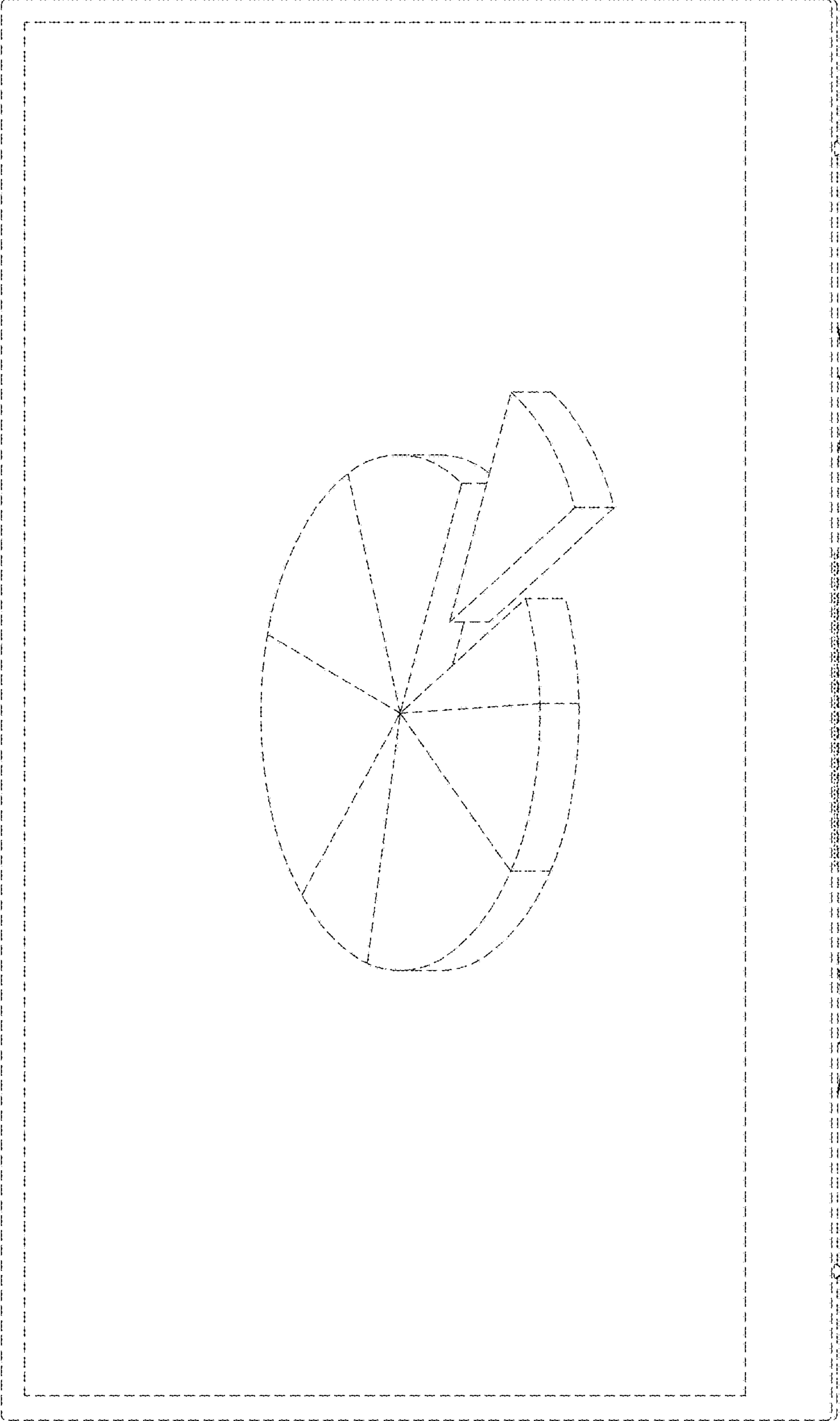


FIG. 9

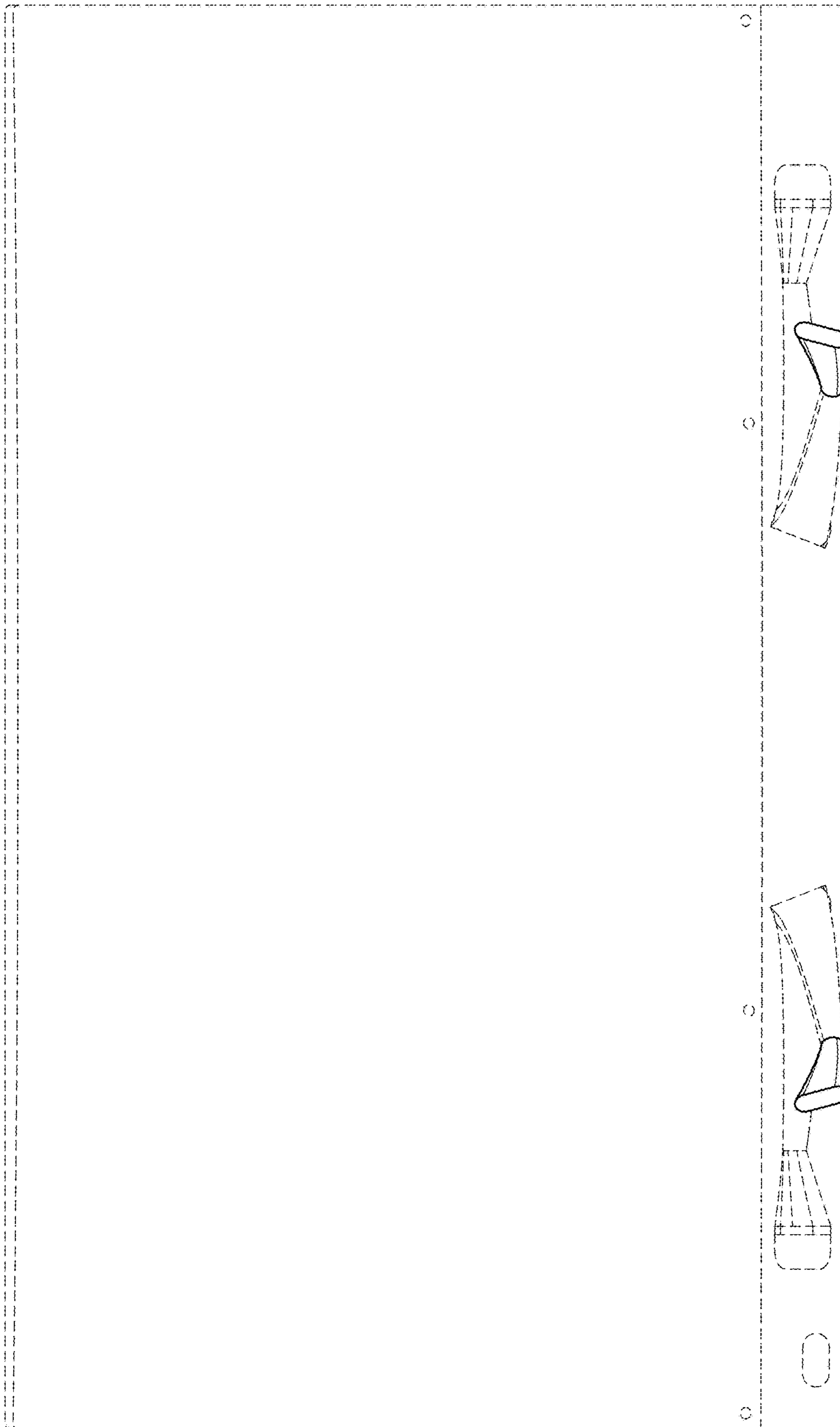


FIG. 10

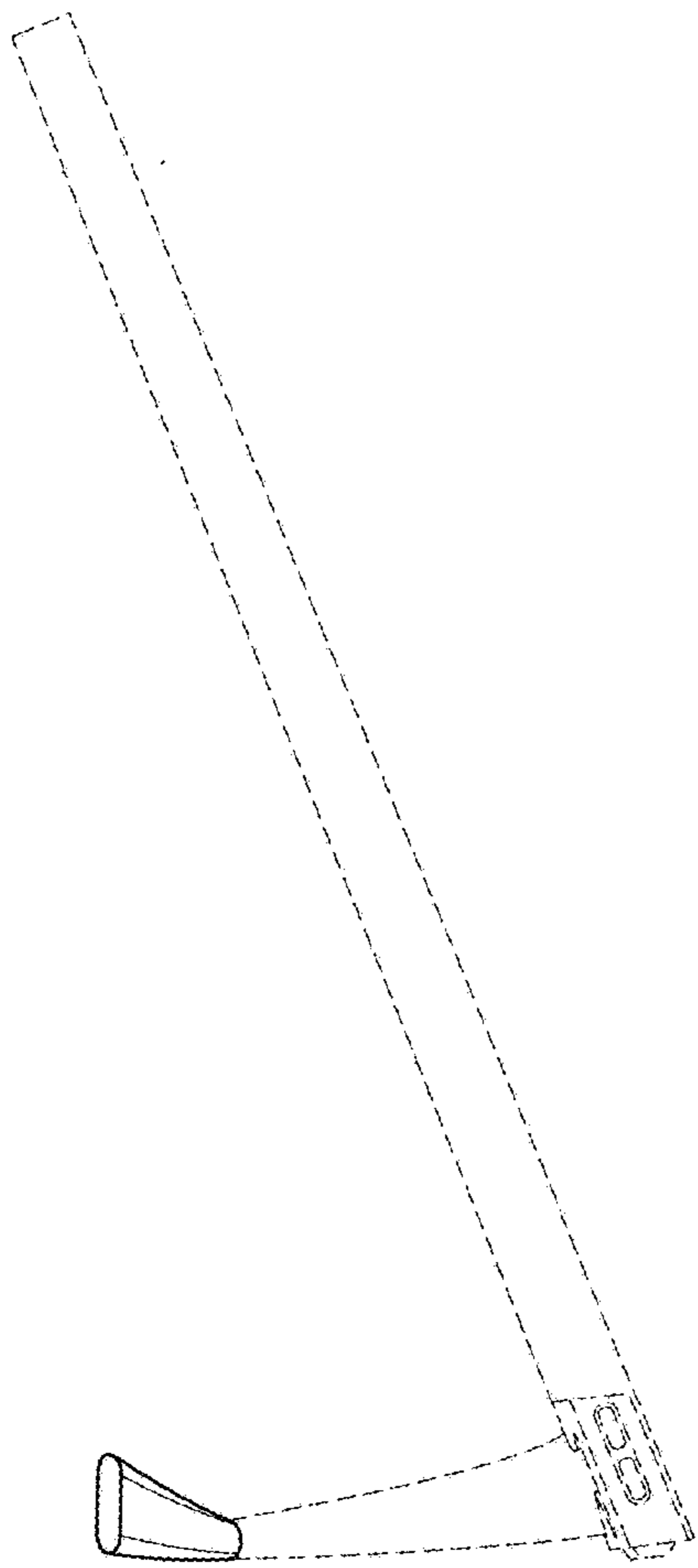


FIG. 11

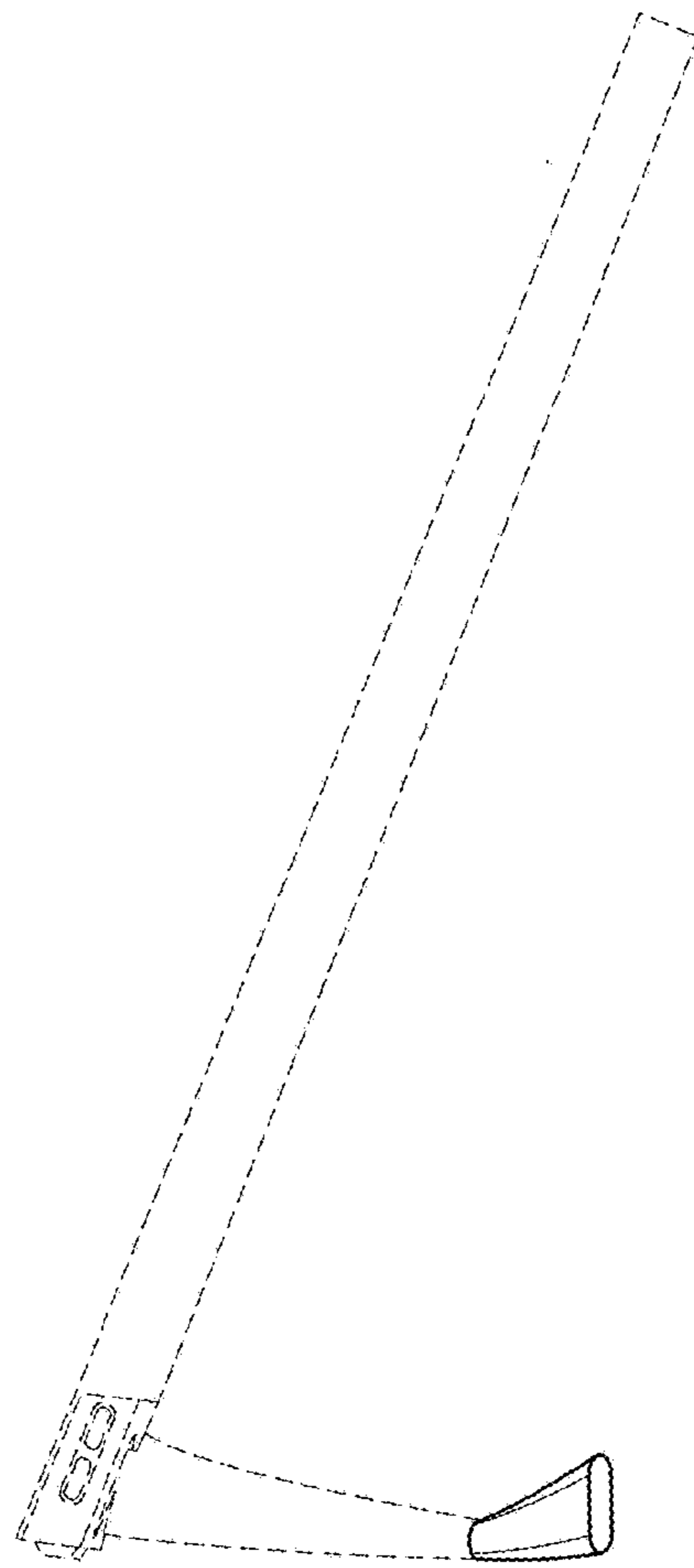


FIG. 12

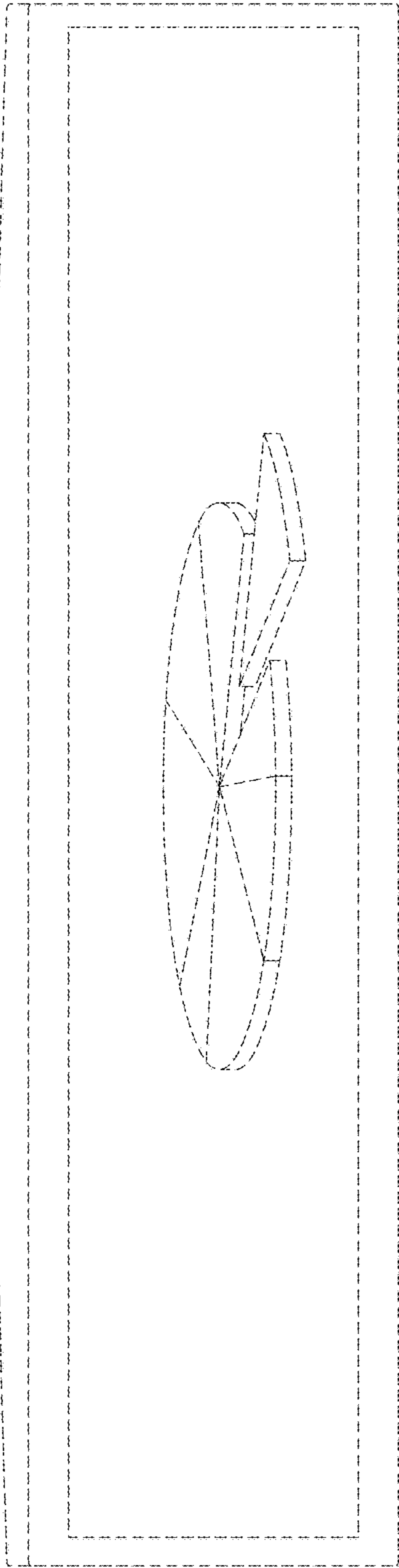


FIG. 13

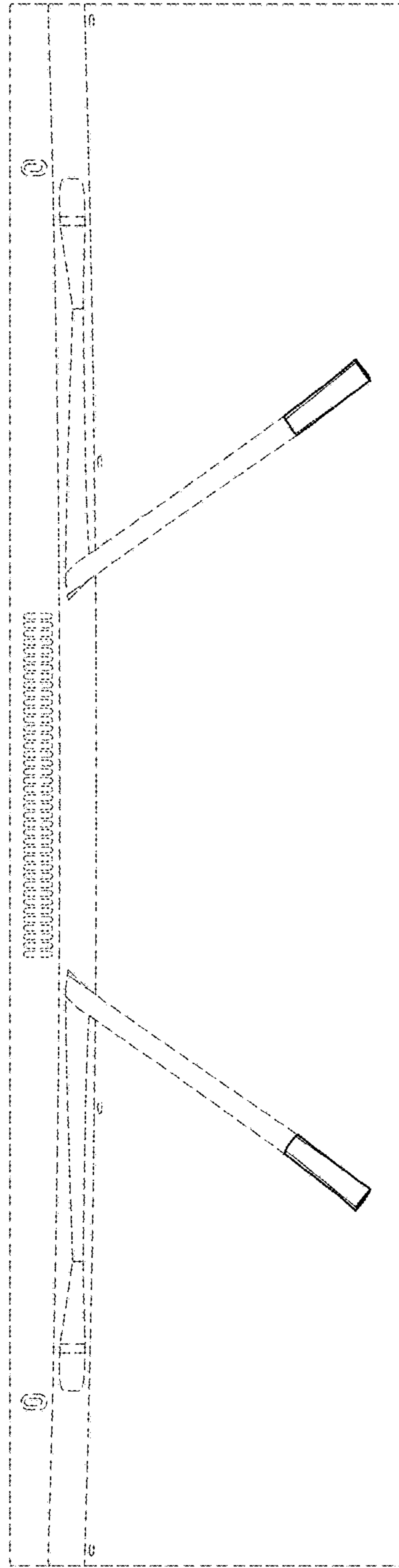


FIG. 14

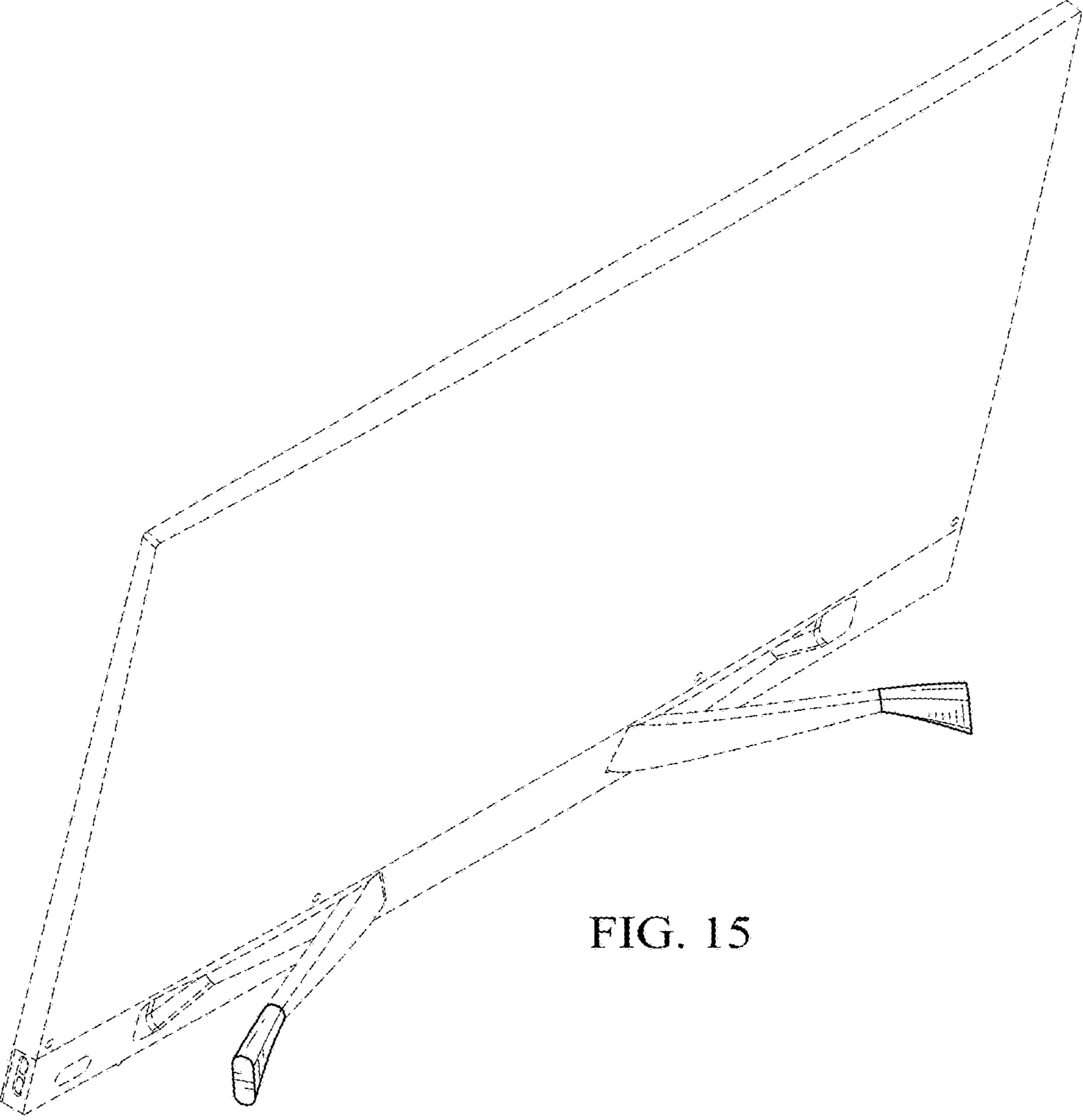


FIG. 15

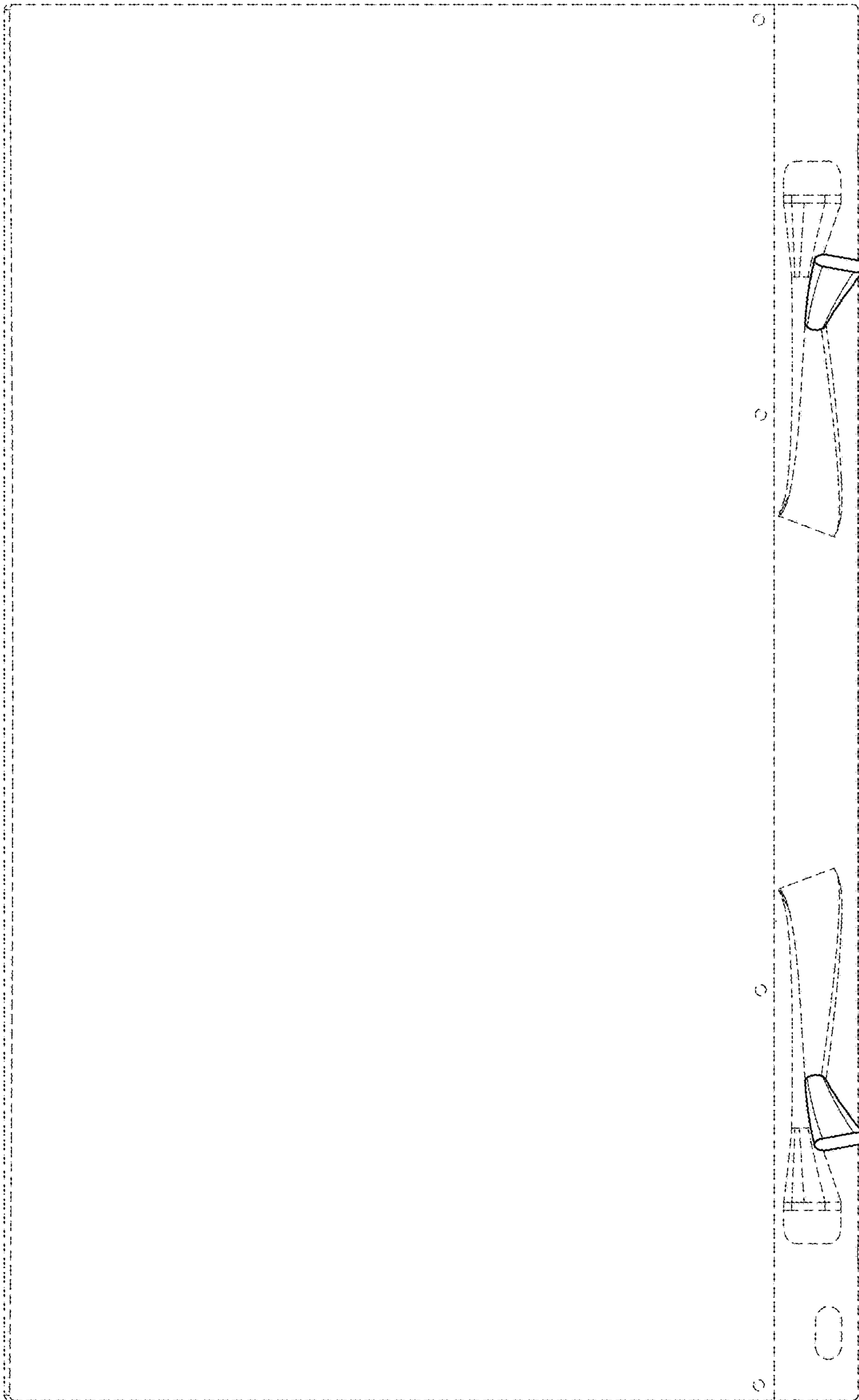


FIG. 16

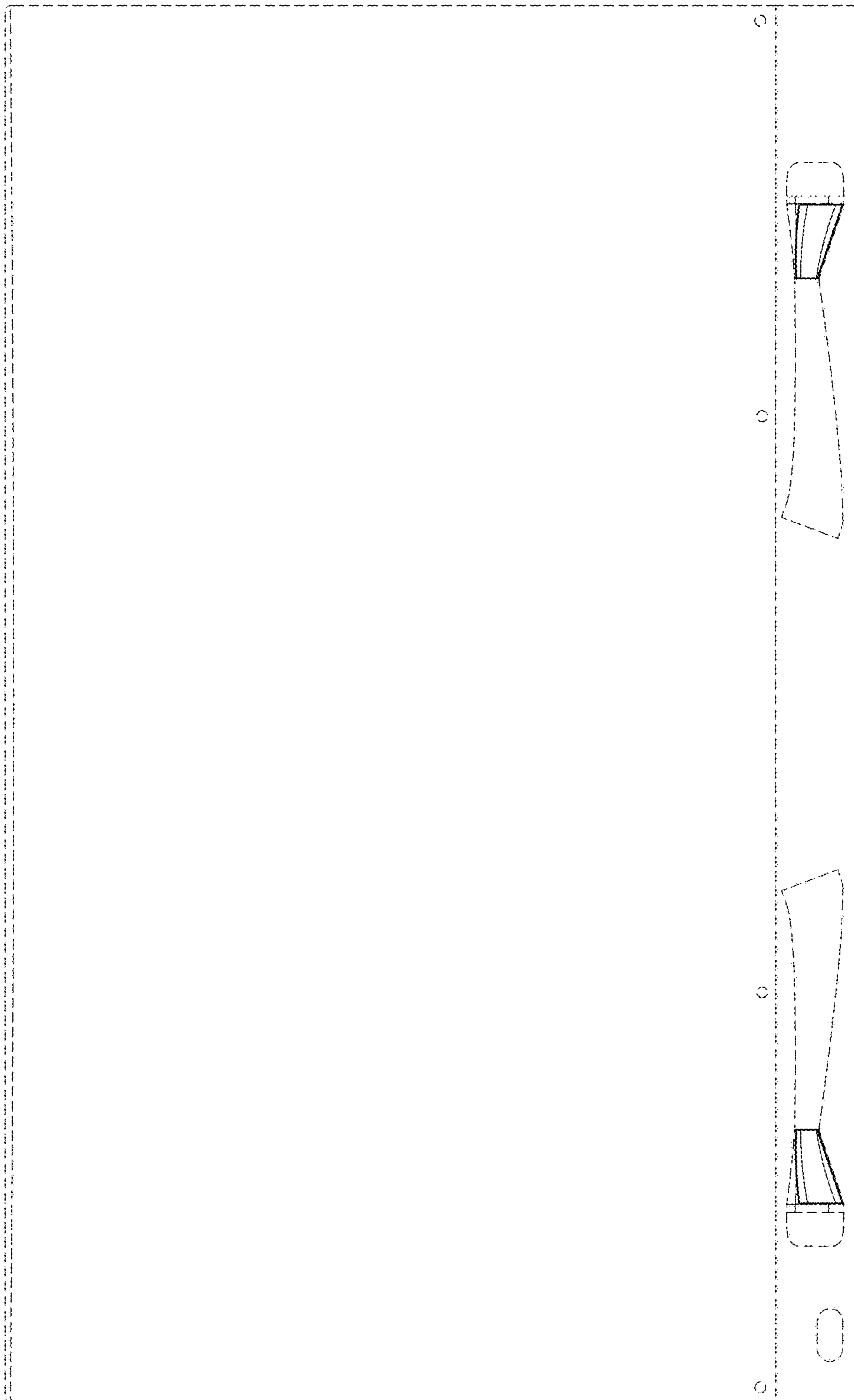


FIG. 17