



US00D831667S

(12) **United States Design Patent** (10) **Patent No.:** **US D831,667 S**
Burmester (45) **Date of Patent:** **** Oct. 23, 2018**

- (54) **SUPPORT FOR COMPUTER TERMINALS, MOBILE PAYMENT TERMINALS, AND COMPUTER KEYBOARDS**
- (71) Applicant: **Ergonomic Solutions International Limited**, Epsom, Surrey (GB)
- (72) Inventor: **Benny Burmester**, Norresundby (DK)
- (73) Assignee: **ERGONOMIC SOLUTIONS INTERNATIONAL LIMITED**, Epsom (GB)

- D576,615 S 9/2008 Richter
- D591,755 S 5/2009 Richter
- D626,541 S 11/2010 Kim et al.
- D629,405 S 12/2010 Crysell
- D654,119 S * 2/2012 Lin D14/434
- D654,120 S * 2/2012 Lin D14/434
- D663,972 S 7/2012 Alexander et al.
- D693,352 S 11/2013 Gelsomini et al.
- D704,713 S 5/2014 Liniger
- D708,187 S * 7/2014 Xiang D14/447
- D715,132 S * 10/2014 McSweyn D8/363

(Continued)

- (**) Term: **15 Years**
- (21) Appl. No.: **29/622,481**
- (22) Filed: **Oct. 17, 2017**

Related U.S. Application Data

- (62) Division of application No. 29/588,957, filed on Dec. 26, 2016, now Pat. No. Des. 803,840.
- (51) **LOC (11) Cl.** **08-07**
- (52) **U.S. Cl.**
USPC **D14/447**
- (58) **Field of Classification Search**
USPC D14/447, 432, 434, 439, 440, 451, 452, D14/457, 239; D8/363, 373, 380; D6/406.3, 406.4, 406.5, 406.6; D12/415
CPC A47B 21/04; A47B 2097/006; A47B 2097/005; A47B 2023/049; A45C 2011/002; A45C 2011/003; F16M 2200/00; F16M 13/00
See application file for complete search history.

(56) **References Cited**

U.S. PATENT DOCUMENTS

- D337,333 S 7/1993 Turk
- D530,333 S 10/2006 Richter
- D545,826 S 7/2007 Richter
- D560,592 S * 1/2008 Brassard D12/415

OTHER PUBLICATIONS

Restriction Requirement dated Aug. 31, 2017 from U.S. Appl. No. 29/588,957, filed Dec. 26, 2016.

Primary Examiner — Angela J Lee
(74) *Attorney, Agent, or Firm* — Berg Hill Greenleaf Ruscitti, LLP.

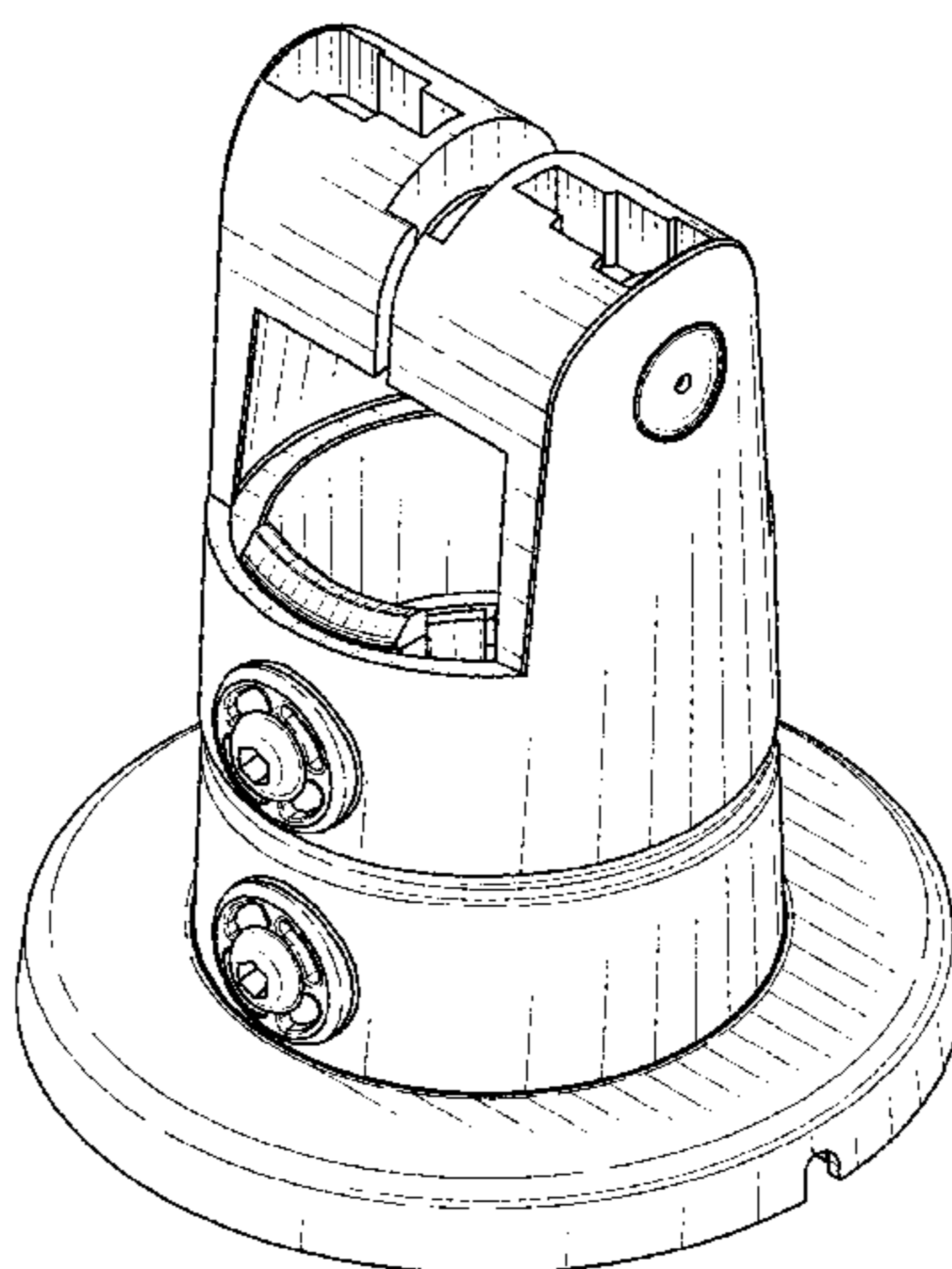
(57) **CLAIM**

The ornamental design for support for computer terminals, mobile payment terminals, and computer keyboards, as shown and described.

DESCRIPTION

FIG. 1 is a perspective view of the support for computer terminals, mobile payment terminals, and computer keyboards showing my new design; FIG. 2 is a front view thereof; FIG. 3 is a rear view thereof; FIG. 4 is a left side view thereof; FIG. 5 is a right side view thereof; FIG. 6 is a top plan view thereof; and, FIG. 7 is a bottom plan view thereof. The broken lines shown in the drawings represent portions of the support for computer terminals, mobile payment terminals, and computer keyboards that form no part of the claimed design.

1 Claim, 4 Drawing Sheets



(56)

References Cited

U.S. PATENT DOCUMENTS

D771,614 S 11/2016 Chang
D772,739 S * 11/2016 Browning D10/74
D784,997 S * 4/2017 Cheng D14/447
D792,413 S 7/2017 Floersch et al.
D792,414 S * 7/2017 Floersch D14/447
D803,840 S * 11/2017 Burmester D14/447
2007/0012825 A1 1/2007 Yeh

* cited by examiner

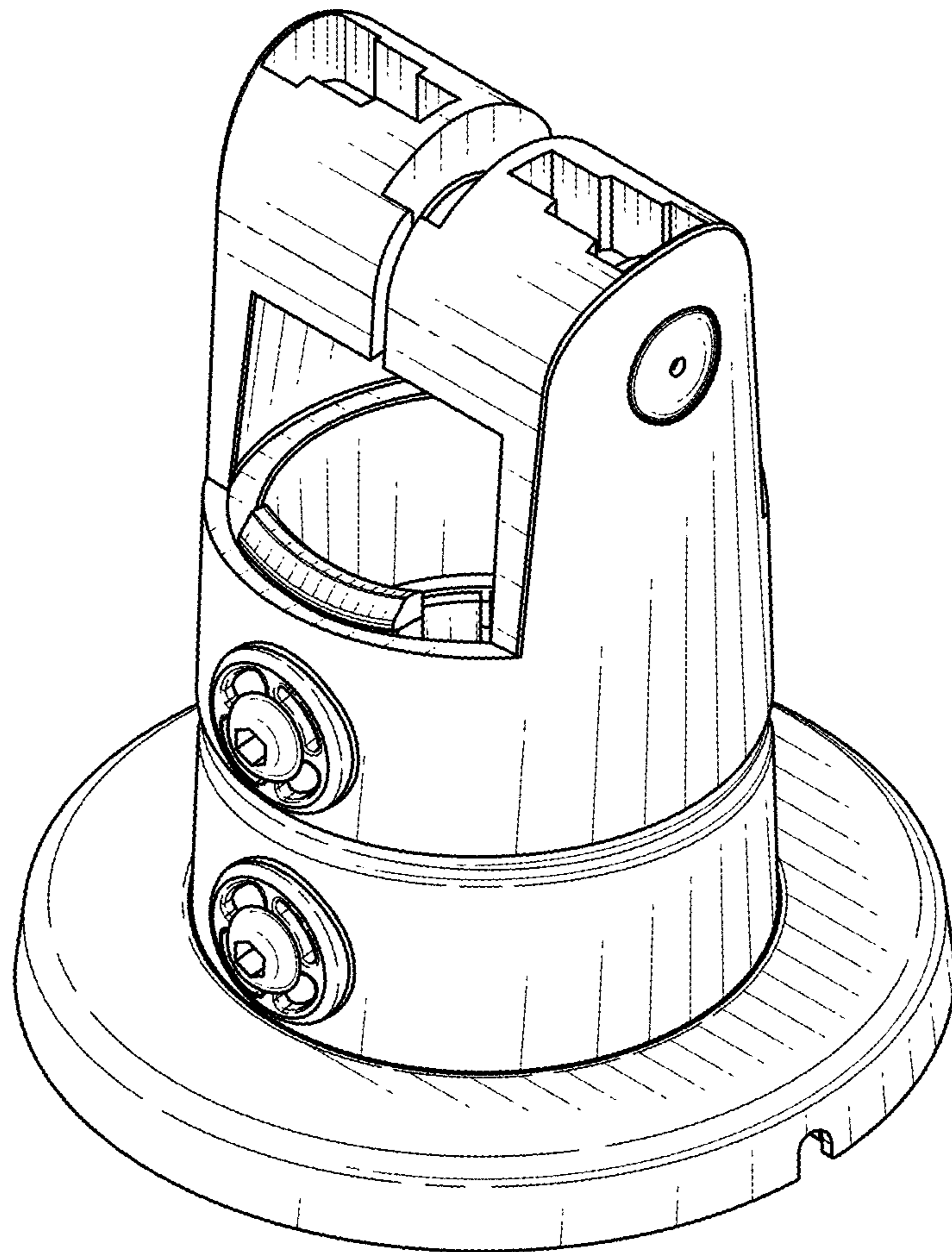


FIG. 1

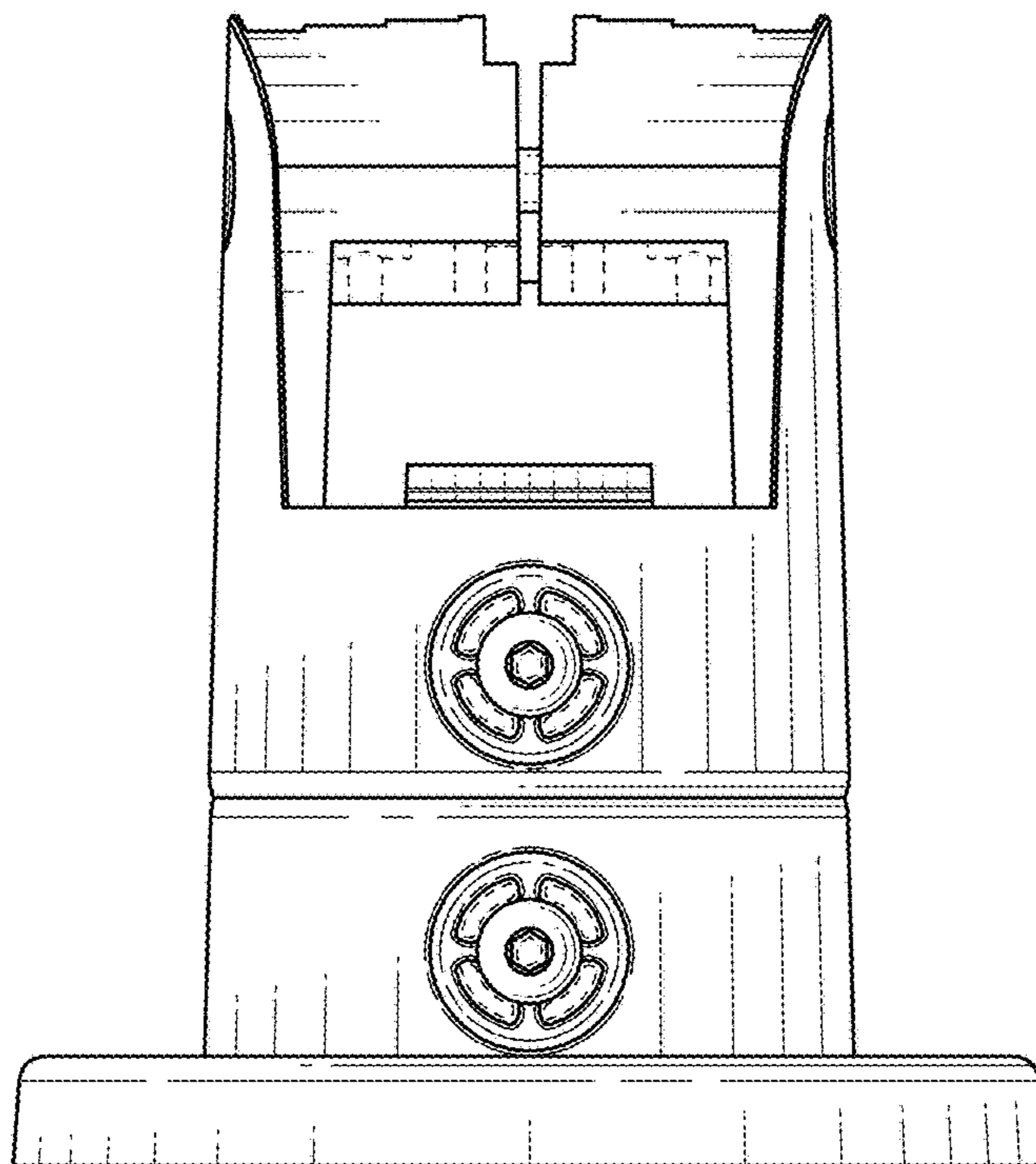


FIG. 2

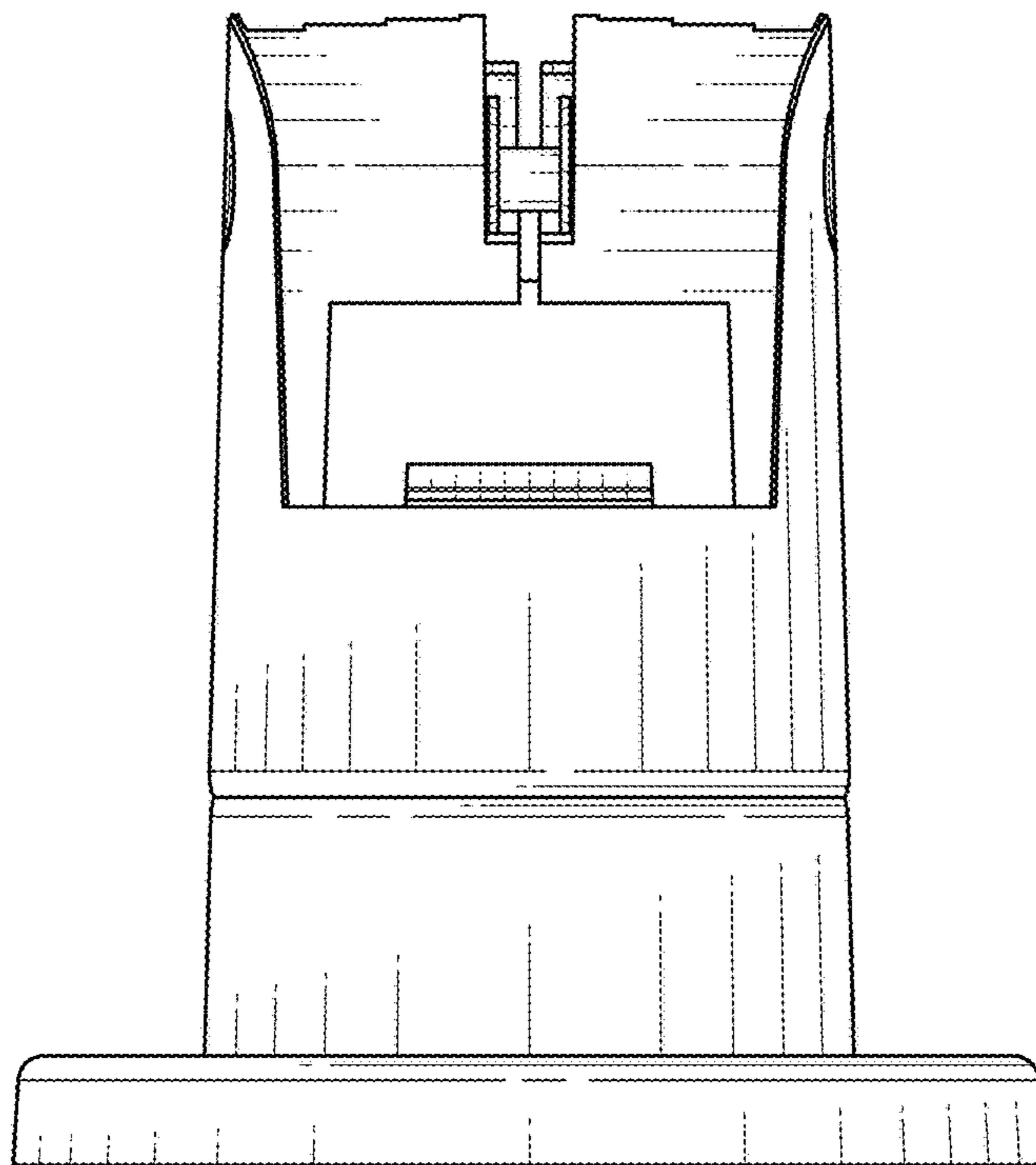


FIG. 3

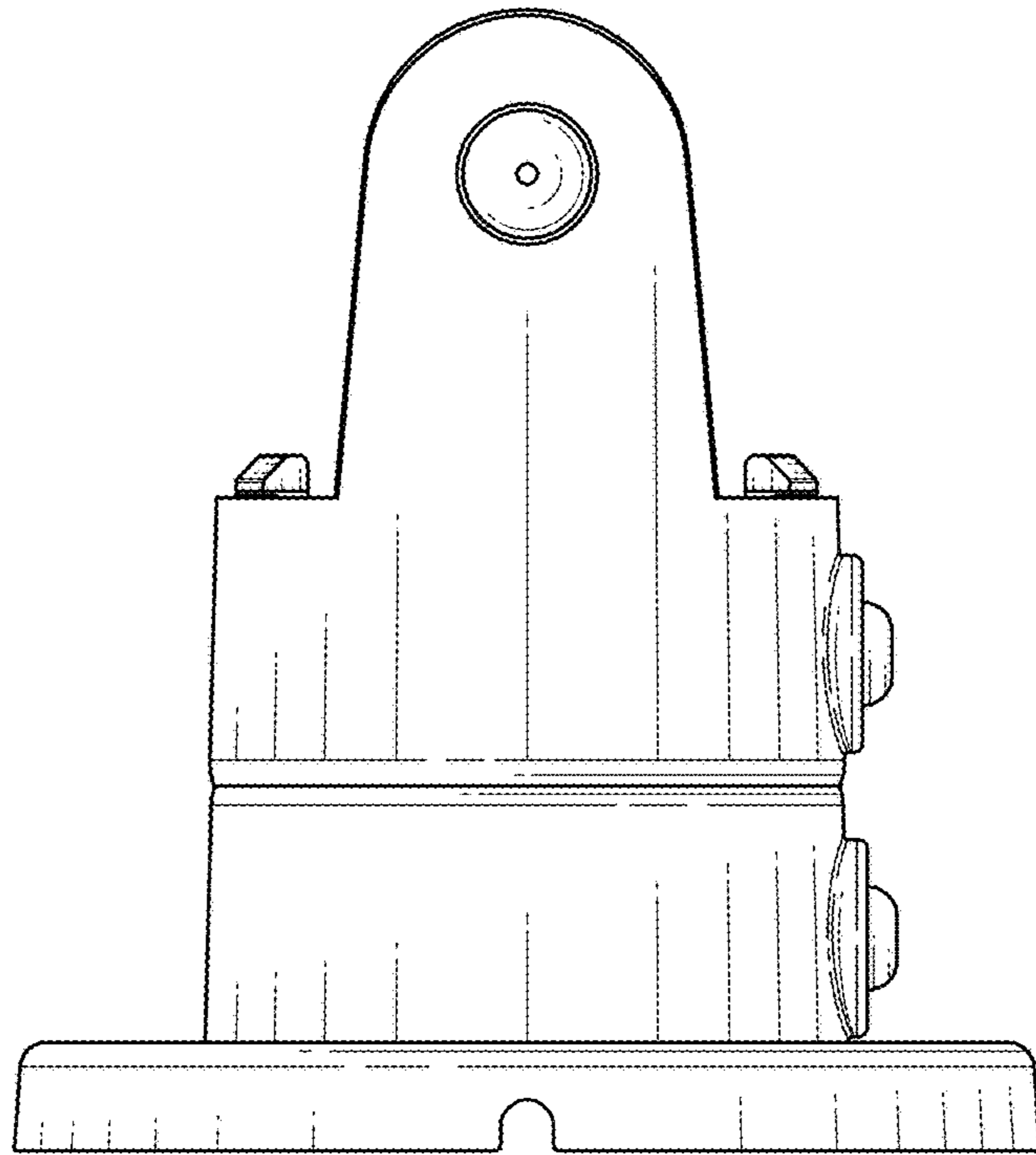


FIG. 4

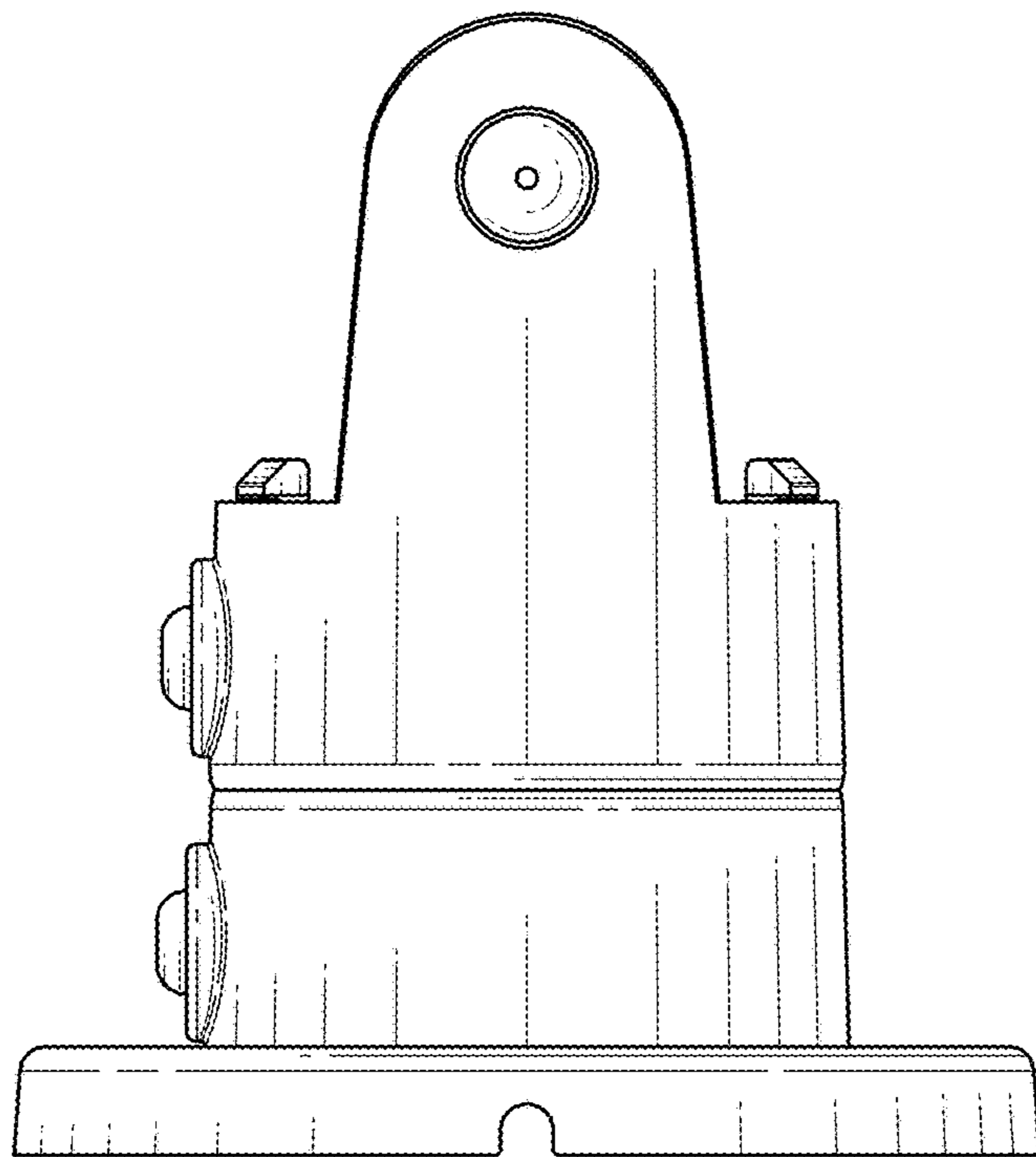


FIG. 5

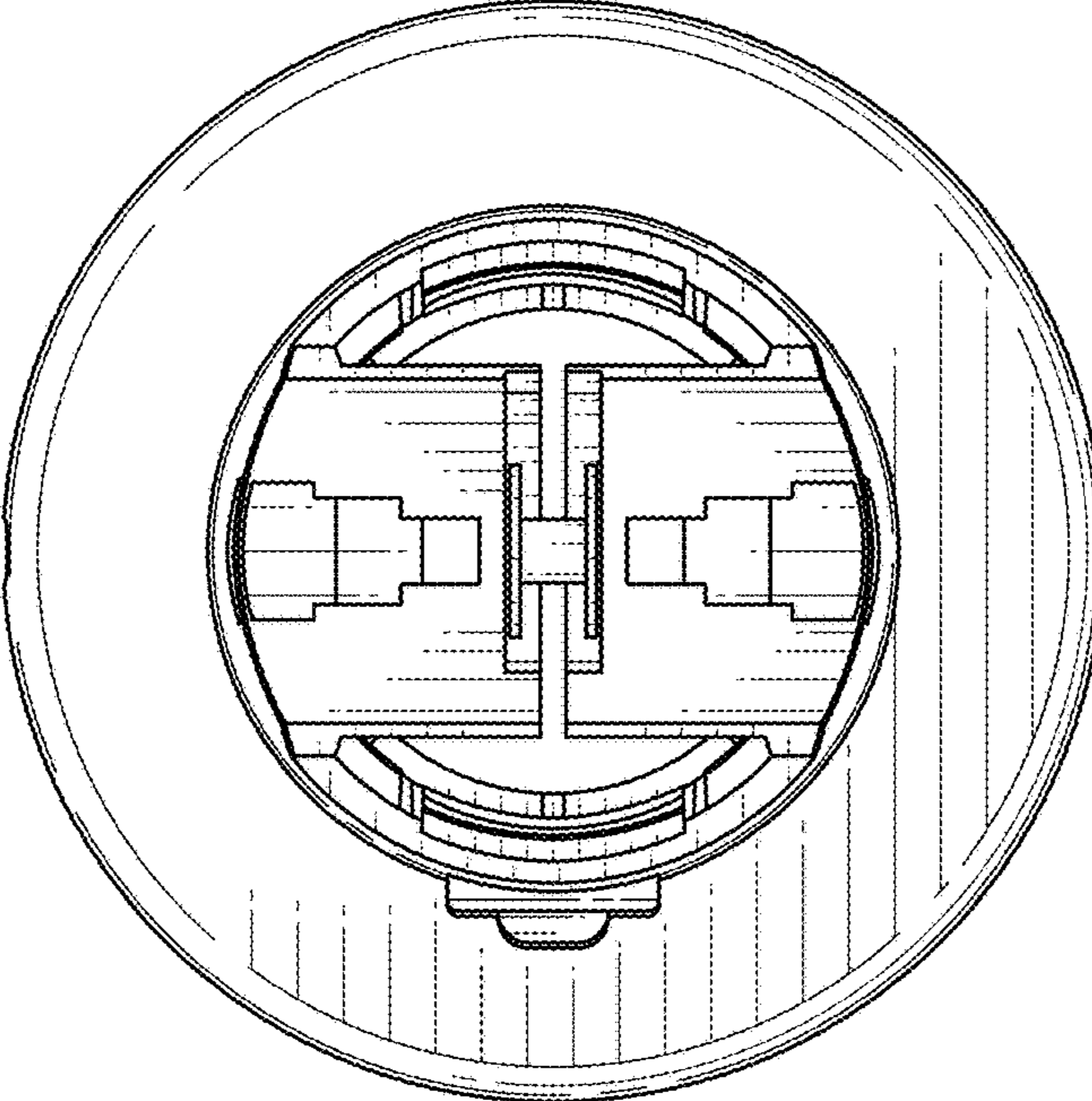


FIG. 6

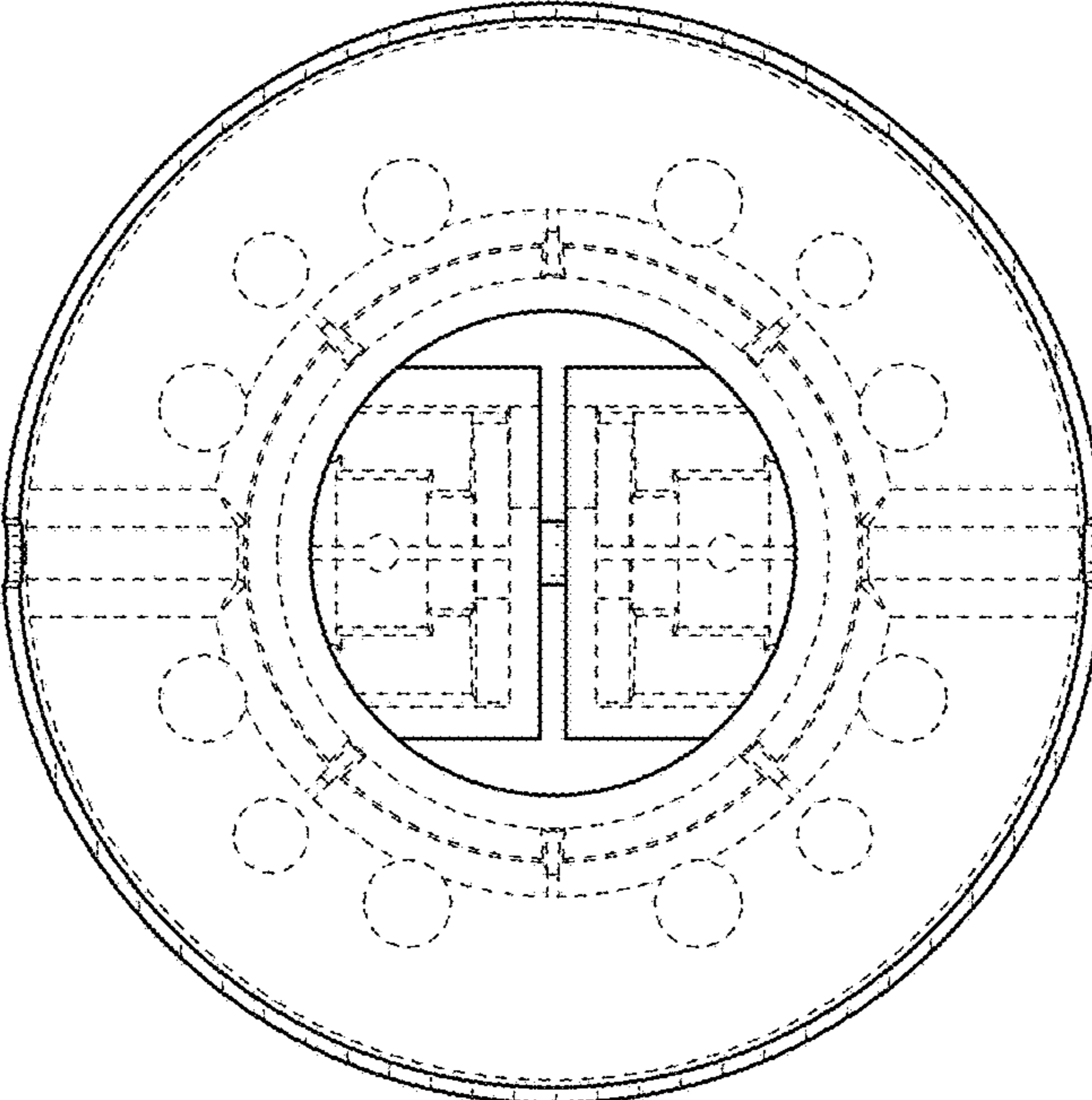


FIG. 7