



US00D831665S

(12) **United States Design Patent** (10) **Patent No.:** **US D831,665 S**  
**Yao et al.** (45) **Date of Patent:** **\*\* Oct. 23, 2018**

(54) **PORTABLE DEVICE HOLDER**

(71) Applicant: **Kenu, Inc.**, San Francisco, CA (US)

(72) Inventors: **David E. Yao**, San Francisco, CA (US);  
**Leonard John Duran**, Mill Valley, CA (US);  
**Gregory D. Caneer**, Oakland, CA (US);  
**Kenneth Y. Minn**, San Francisco, CA (US)

(73) Assignee: **KENU, INC.**, San Francisco, CA (US)

(\*\*) Term: **15 Years**

(21) Appl. No.: **29/617,062**

(22) Filed: **Sep. 11, 2017**

(51) **LOC (11) Cl.** ..... **08-07**

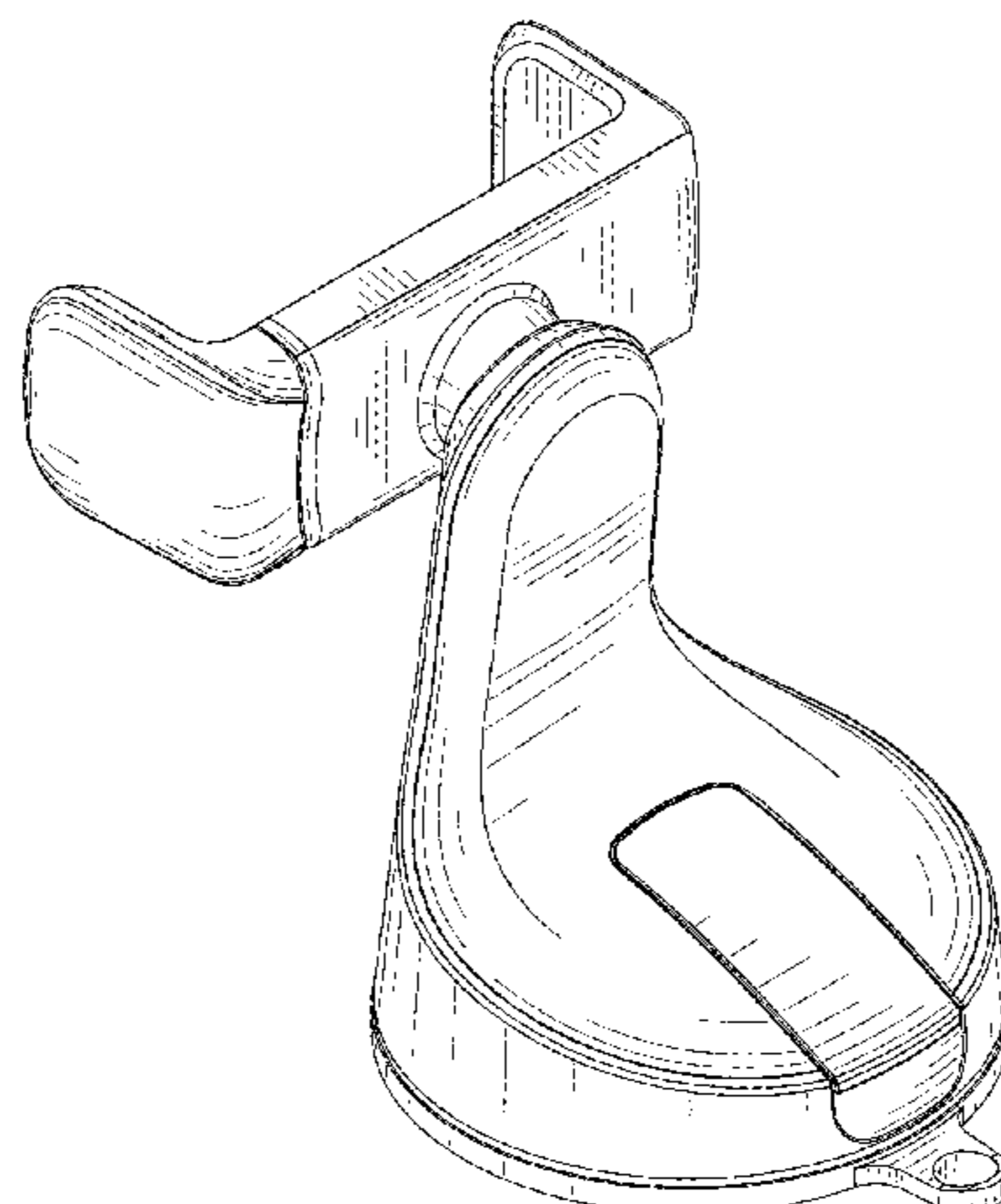
(52) **U.S. Cl.**  
USPC ..... **D14/447**

(58) **Field of Classification Search**  
USPC ..... D14/447, 432, 434, 439, 440, 451, 452,  
D14/457, 239; D8/363, 373, 380;  
D6/406.3, 406.4, 406.5, 406.6; D12/415  
CPC ..... A47B 21/04; A47B 2097/006; A47B  
2097/005; A47B 2023/049; A45C  
2011/002; A45C 2011/003; F16M  
2200/00; F16M 13/00  
See application file for complete search history.

6,749,160	B1	6/2004	Richter
6,988,907	B2	1/2006	Chang
D521,990	S	5/2006	Richter
D522,843	S	6/2006	Richter
7,061,386	B2	6/2006	Seresini
7,066,434	B2	6/2006	Kwok
7,080,812	B2	7/2006	Wadsworth
7,140,553	B2	11/2006	Zobebe
7,178,771	B2	2/2007	Richter
D538,912	S	3/2007	Kaplan
7,272,984	B2	9/2007	Fan
7,284,737	B2	10/2007	Kane
D566,590	S	4/2008	Stevens et al.
7,475,858	B2	1/2009	Kalis et al.
D589,962	S	4/2009	Maruyama et al.
7,537,190	B2	5/2009	Fan
D603,322	S	11/2009	Niecieja
7,628,362	B2	12/2009	Song
7,661,638	B2	2/2010	Yu
D611,478	S	3/2010	Richardson et al.
D614,613	S	4/2010	Kim et al.
D626,541	S	11/2010	Kim et al.
D630,222	S	1/2011	Lin
D633,040	S	2/2011	Le et al.
7,913,963	B2	3/2011	Cheng et al.
D643,407	S	8/2011	Behringer et al.
D645,033	S	9/2011	Quong et al.
D655,692	S	3/2012	Silverman et al.
D656,931	S	4/2012	Wikel
D656,940	S	4/2012	McClelland et al.
D657,356	S	4/2012	Wikel
D657,364	S	4/2012	Norman
D663,726	S	7/2012	Gourley
D663,735	S	7/2012	Musselman
D664,147	S	7/2012	Zhao et al.
D670,295	S	11/2012	Prescott et al.
D671,950	S	12/2012	Richter
8,505,861	B2	8/2013	Carnevali
D689,041	S	9/2013	Hampf
D690,707	S	10/2013	Minn et al.
D692,897	S	11/2013	Luijiben
8,706,175	B2	4/2014	Cho
8,727,192	B2	5/2014	Lai
8,757,461	B2	6/2014	Zanetti
D708,603	S	7/2014	Kim et al.
D709,066	S *	7/2014	Byun ..... D14/253
D709,074	S	7/2014	Tsui et al.
D713,398	S	9/2014	Alesi et al.
D715,790	S *	10/2014	Conomos ..... D14/253
D715,791	S	10/2014	Yu
8,857,687	B1	10/2014	An
D716,788	S	11/2014	Volkan
D717,289	S	11/2014	Takabatake

(56) **References Cited**  
U.S. PATENT DOCUMENTS

2,580,625	A	1/1952	Waltz
4,797,916	A	1/1989	Kojima
5,109,411	A	4/1992	O'Connell
5,305,381	A	4/1994	Wang
5,338,252	A	8/1994	Bowler et al.
5,979,724	A	11/1999	Loewenthal et al.
6,103,201	A	8/2000	Green
6,149,116	A	11/2000	Won
6,234,435	B1	5/2001	Yeh
6,366,672	B1	4/2002	Tsay
6,441,872	B1	8/2002	Ho
D482,039	S	11/2003	Chen et al.
D485,340	S	1/2004	Wu





D718,298 S	11/2014	Aspinall et al.	
D720,759 S	1/2015	Deng et al.	
D723,311 S	3/2015	Jian et al.	
D724,072 S	3/2015	Jiang et al.	
D726,175 S	4/2015	Tsai et al.	
D727,333 S *	4/2015	Shih .....	D14/447
D733,548 S	7/2015	Brown et al.	
D733,697 S *	7/2015	Palan .....	D14/253
D735,112 S	7/2015	Deng et al.	
9,080,714 B2	7/2015	Minn et al.	
D738,873 S *	9/2015	Kim .....	D14/253
D747,704 S *	1/2016	Tsou .....	D14/242
D748,098 S *	1/2016	Khodapanah .....	D14/447
9,267,518 B2	2/2016	Chang	
D750,515 S *	3/2016	Ditges .....	D10/74
D750,612 S *	3/2016	Chen .....	D14/253
D750,633 S	3/2016	Minn et al.	
9,366,383 B2	6/2016	Chien et al.	
D765,646 S *	9/2016	Deng .....	D12/415
D765,651 S	9/2016	Liu et al.	
D774,382 S *	12/2016	Richter .....	D8/355
D778,714 S	2/2017	McSweyn et al.	
9,573,531 B2	2/2017	Zhang	
9,586,530 B2	3/2017	Kim	
9,611,881 B2	4/2017	Khodapanah et al.	
9,718,412 B2	8/2017	Minn et al.	
D797,750 S *	9/2017	Wengreen .....	D14/447
2005/0127538 A1	6/2005	Fabrega	
2005/0236541 A1	10/2005	Chang	
2007/0001025 A1	1/2007	Caserta et al.	
2007/0018064 A1	1/2007	Wang	
2007/0284500 A1	12/2007	Fan	
2008/0190978 A1	8/2008	Brassard	
2008/0224007 A1	9/2008	Mo	
2009/0060473 A1	3/2009	Kohte et al.	
2009/0166497 A1	7/2009	Carnevali	
2010/0019059 A1	1/2010	Bulsink et al.	
2011/0019992 A1	1/2011	Orf	
2011/0143583 A1	6/2011	Zilmer et al.	
2011/0148352 A1	6/2011	Wang et al.	
2011/0278885 A1	11/2011	Procter et al.	
2012/0205503 A1	8/2012	Kobal	
2013/0037590 A1	2/2013	Yoon	
2014/0097306 A1	4/2014	Hale et al.	
2014/0103087 A1	4/2014	Fan	
2014/0138419 A1	5/2014	Minn et al.	
2014/0176062 A1 *	6/2014	Jung .....	B60R 11/02 320/108
2014/0265765 A1	9/2014	Khodapanah et al.	
2015/0072555 A1	3/2015	Riddiford et al.	
2016/0082893 A1	3/2016	Ormsbee et al.	
2016/0318455 A1	11/2016	Zhang et al.	
2016/0347257 A1	12/2016	Buchanan	
2016/0373152 A1	12/2016	Schmidt	
2017/0035172 A1	2/2017	Kim	

FOREIGN PATENT DOCUMENTS

CN	301670390	9/2011
CN	202907016 U	4/2013
DE	202004007340 U1	7/2004
DE	202008010276 U1	11/2008
EP	1031446 A1	8/2000
EP	1902736 A1	3/2008
EP	2835957	4/2015
JP	2003054304 A	2/2003
JP	3151546 U	6/2009
JP	3164223 U	11/2010
JP	D1420793	7/2011
JP	D1420793	8/2011
JP	D1453628	10/2012
JP	D1487823	1/2014
KR	10-2000-0044438	7/2000
KR	20-0429528	10/2006
KR	10-2012-0125933	11/2012
KR	3009417870000	1/2018
TW	D103373	3/2005
TW	D149647	10/2012
TW	D165745	2/2015

WO	WO 9604153	2/1996
WO	WO2004091673 A1	10/2004
WO	D066974-001	9/2005
WO	2010002291 A1	1/2010

OTHER PUBLICATIONS

U.S. Appl. No. 29/607,125, filed Jun. 9, 2017.  
 U.S. Appl. No. 29/607,126, filed Jun. 9, 2017.  
 U.S. Appl. No. 29/617,064, filed Sep. 11, 2017.  
 U.S. Appl. No. 29/625,650, filed Nov. 10, 2017.  
 U.S. Appl. No. 29/625,651, filed Nov. 10, 2017.  
 U.S. Appl. No. 29/638,301, filed Feb. 26, 2018.  
 U.S. Appl. No. 29/638,303, filed Feb. 26, 2018.  
 Arkon Resources Inc., SMH429-SBH Universal Air Vent Swivel Mount with Adjustable Cradle, (downloaded from <https://www.amazon.com/Arkon-Holder-iPhone-Galaxy-Retail/dp/B003XAF4YQ> on Apr. 11, 2017, 9 pages).  
 Web posting, entitled “[Arkon Air Vent Smartphone Car Mount] Review of SM429-SBH Air Vent Universal Smartphone Car Mount” (Publication Date: Nov. 21, 2010, <http://cafe.naver.com/bjphone/1391925>).  
 Web posting entitled, “Car Mount for Samsung Galaxy S4 Smartphone [Air Vent Smartphone Car Mount]” (Publication Date: Apr. 29, 2013, <http://blog.naver.com/eeleet/130167208063>).  
 China Quality Suppliers; “Black or White Car Air Vent Mount Holder/Adjustable Universal Mobile Phone Stand Holder;” <http://www.hebeimanjikefrp.com/sale-2307306-black-or-white-car-air-vent-mount-holder-adjustable-universal-mobile-phone-stand-holder.html>; Copyright 2014-2015.  
 Exogear; “ExoMount Touch;” <http://www.exogear.com/products-exomount-touch-one-touch-car-mount-holder.html>; Copyright 2013 Exogear.  
 TechMatte, Dashboard Mount TechMatte MagGrip Dashboard and Windshield Magnetic Universal Car Mount Holder for Smartphones including iPhone X, 8, 7, 6, 6S, Galaxy S8, S7, S7 Edge—Black, Publication Date: Sep. 2017 {earliest/exact publication date unknown}, [https://www.amazon.com/Dashboard-TechMatte-Windshield-Universal-Smartphones/dp/B01780KZMW/ref=sr\\_1\\_5?s=wireless&ie=UTF8&qid=1507681675&sr=1-5&keywords=suction+cup+phone+mount](https://www.amazon.com/Dashboard-TechMatte-Windshield-Universal-Smartphones/dp/B01780KZMW/ref=sr_1_5?s=wireless&ie=UTF8&qid=1507681675&sr=1-5&keywords=suction+cup+phone+mount).  
 Scosche, Scosche MAGWSM2 MagicMount Suction Mount for Mobile Devices, Publication Date: Sep. 2017 {earliest/exact publication date unknown}, [https://www.amazon.com/Scosche-MAGWSM2-MagicMount-Suction-Devices/dp/B00R2K4LCY/ref=sr\\_1\\_18?s=wireless&ie=UTF8&qid=1507681675&sr=1-18&keywords=suction+cup+phone+mount](https://www.amazon.com/Scosche-MAGWSM2-MagicMount-Suction-Devices/dp/B00R2K4LCY/ref=sr_1_18?s=wireless&ie=UTF8&qid=1507681675&sr=1-18&keywords=suction+cup+phone+mount).  
 iOttie, Car Mount, iOttie Easy View Universal Car Mount Holder for iPhone 7 6s 5s 5c, Samsung Galaxy S6 Edge Plus S6 S5 S4—Retail Packaging—Black, Publication Date: Sep. 2017 {earliest/exact publication date unknown}, [https://www.amazon.com/iOttie-Universal-Holder-iPhone-Samsung/dp/B00B78MT44/ref=sr\\_1\\_15?s=wireless&ie=UTF8&qid=1507682778&sr=1-15&keywords=iottie](https://www.amazon.com/iOttie-Universal-Holder-iPhone-Samsung/dp/B00B78MT44/ref=sr_1_15?s=wireless&ie=UTF8&qid=1507682778&sr=1-15&keywords=iottie).  
 Ztechworld, Ztechworld Universal Suction Cup Car Mount Mobile Phone Holder for iPhone 7 Plus 6S 6/ Samsung Galaxy S7 S6 Edge Note 3 4 5/ Android Phones and More, Sticky Silicone Base, 360 Rotation, Red Clip, Publication Date: Sep. 2017 {earliest/exact publication date unknown}, [https://www.amazon.com/Ztechworld-Universal-Suction-Silicone-Rotation/dp/B06XGWRX9V/ref=sr\\_1\\_11?s=wireless&ie=UTF8&qid=1507681675&sr=1-11&keywords=suction+cup+phone+mount](https://www.amazon.com/Ztechworld-Universal-Suction-Silicone-Rotation/dp/B06XGWRX9V/ref=sr_1_11?s=wireless&ie=UTF8&qid=1507681675&sr=1-11&keywords=suction+cup+phone+mount).  
 LAX Gadgets, LAX Universal Dashboard-mounted Smart Phone Holder with Non-Slip Grip Bracket—Compatible with Most Smartphones & Mini Tablets—360 Degrees Swivel Mount—Super Stable Suction Cup Car Mount, Publication Date: Sep. 2017 {earliest/exact publication date unknown}, [https://www.amazon.com/LAX-Universal-Dashboard-mounted-Non-Slip-Bracket/dp/B073SKDVLW/ref=sr\\_1\\_43?s=wireless&ie=UTF8&qid=1507681896&sr=1-43&keywords=suction+cup+phone+mount](https://www.amazon.com/LAX-Universal-Dashboard-mounted-Non-Slip-Bracket/dp/B073SKDVLW/ref=sr_1_43?s=wireless&ie=UTF8&qid=1507681896&sr=1-43&keywords=suction+cup+phone+mount).  
 iOttie, iOttie Easy View 2 Car Mount Holder for iPhone 7 7 Plus, 6s Plus 6s 5s 5c, Samsung Galaxy S8 S7 Edge Plus S7 S6, Note



5—Retail Packaging—Black, Publication Date: Sep. 2017 {earliest/exact publication date unknown}, [https://www.amazon.com/iOttie-Holder-Samsung-Retail-Packaging/dp/B00JUXPHWE/ref=sr\\_1\\_13?s=wireless&ie=UTF8&qid=1507682834&sr=1-13&keywords=iottie](https://www.amazon.com/iOttie-Holder-Samsung-Retail-Packaging/dp/B00JUXPHWE/ref=sr_1_13?s=wireless&ie=UTF8&qid=1507682834&sr=1-13&keywords=iottie).

Notice of Allowance dated Jul. 4, 2018, in Taiwanese Patent Application No. 107300587.

\* cited by examiner

*Primary Examiner* — Angela J Lee

(74) *Attorney, Agent, or Firm* — Vierra Magen Marcus LLP

(57) **CLAIM**

The ornamental design for a portable device holder, as shown and described.

**DESCRIPTION**

FIG. 1 is a rear perspective view of a portable device holder; FIG. 2 is a front perspective view of the portable device holder; FIG. 3 is a front elevational view of the portable device holder; FIG. 4 is a rear elevational view of the portable device holder; FIG. 5 is a bottom plan view of the portable device holder; FIG. 6 is a top plan view of the portable device holder; FIG. 7 is a right elevational view of the portable device holder; FIG. 8 is a left elevational view of the portable device holder; FIG. 9 is a rear perspective view of a base portion of a portable device holder shown separately for clarity of illustration; FIG. 10 is a front perspective view of the base portion of the portable device holder shown separately for clarity of illustration; FIG. 11 is a front elevational view of the base portion of the portable device holder shown separately for clarity of illustration;

FIG. 12 is a rear elevation view of the base portion of the portable device holder shown separately for clarity of illustration;

FIG. 13 is a bottom plan view of the base portion of the portable device holder shown separately for clarity of illustration;

FIG. 14 is a top plan view of the base portion of the portable device holder shown separately for clarity of illustration;

FIG. 15 is a right elevation view of the base portion of the portable device holder shown separately for clarity of illustration;

FIG. 16 is a left elevation view of the base portion of the portable device holder shown separately for clarity of illustration;

FIG. 17 is a rear perspective view of a portable device attachment portion of a portable device holder shown separately for clarity of illustration;

FIG. 18 is a front perspective view of the portable device attachment portion of the portable device holder shown separately for clarity of illustration;

FIG. 19 is a front elevation view of the portable device attachment portion of the portable device holder shown separately for clarity of illustration;

FIG. 20 is a rear elevation view of the portable device attachment portion of the portable device holder shown separately for clarity of illustration;

FIG. 21 is a top plan view of the portable device attachment portion of the portable device holder shown separately for clarity of illustration;

FIG. 22 is a bottom plan view of the portable device attachment portion of the portable device holder shown separately for clarity of illustration;

FIG. 23 is a right elevation view of the portable device attachment portion of the portable device holder shown separately for clarity of illustration; and,

FIG. 24 is a left elevation view of the portable device attachment portion of the portable device holder shown separately for clarity of illustration.

**1 Claim, 10 Drawing Sheets**

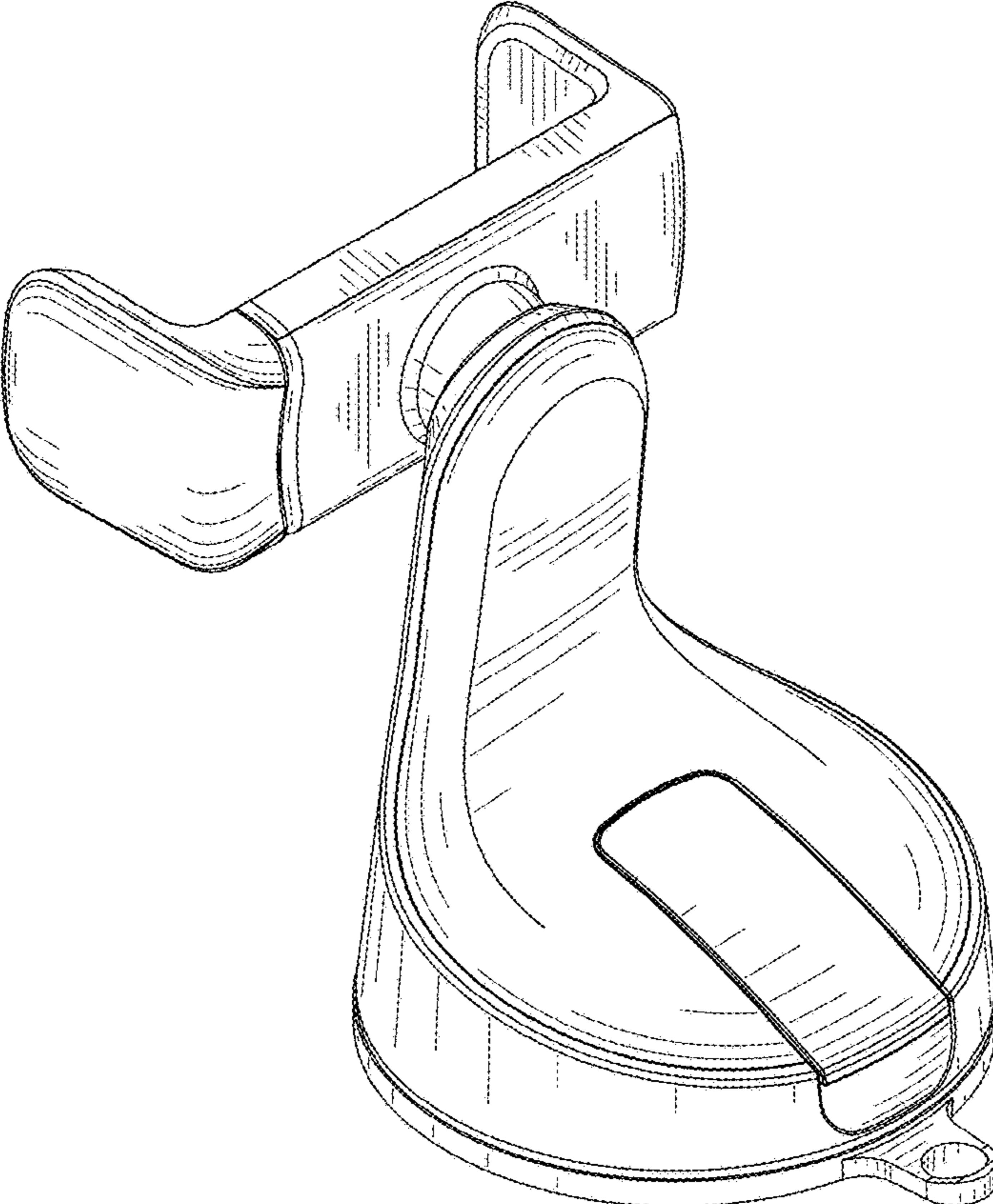


FIG. 1

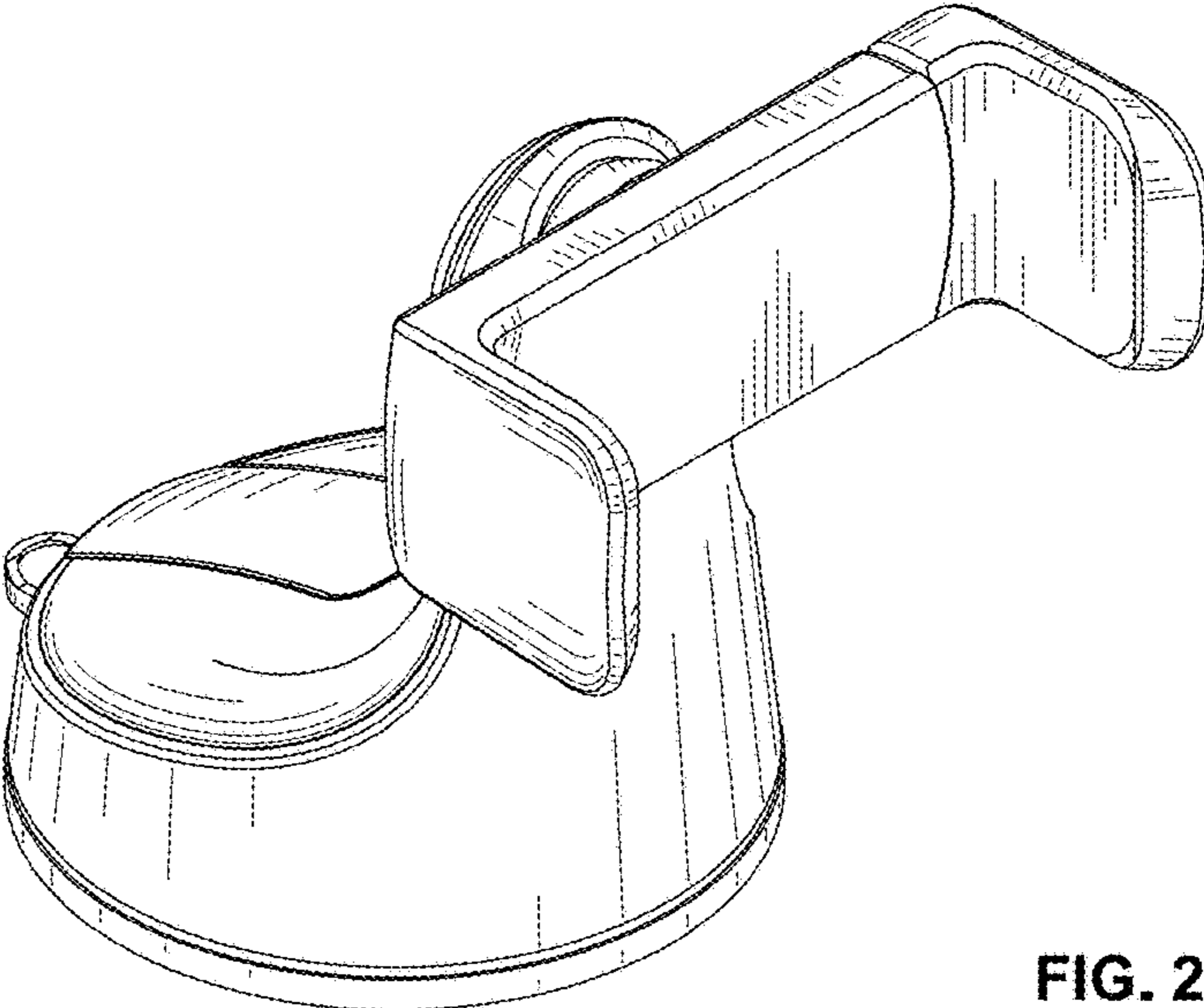


FIG. 2

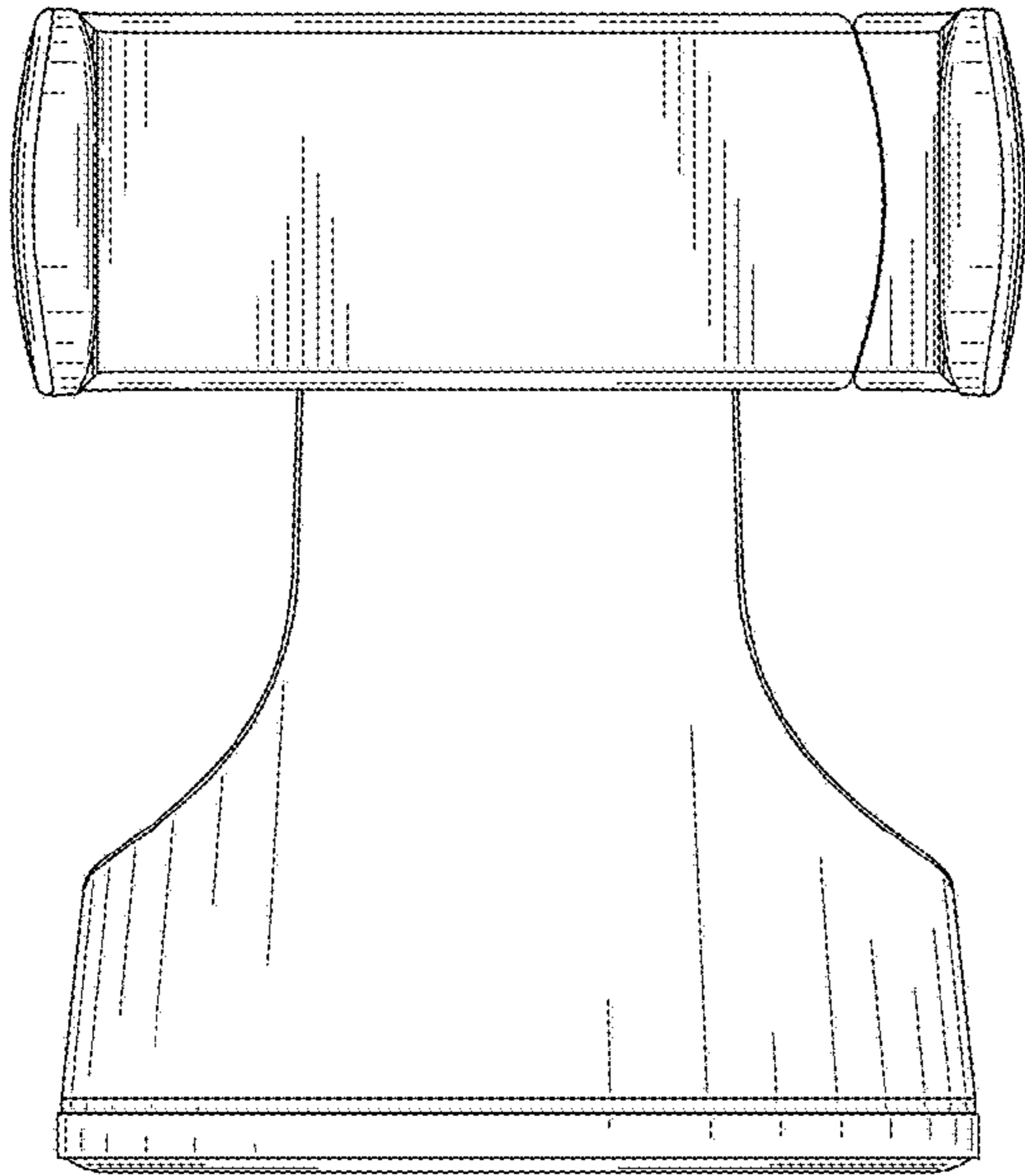


FIG. 3

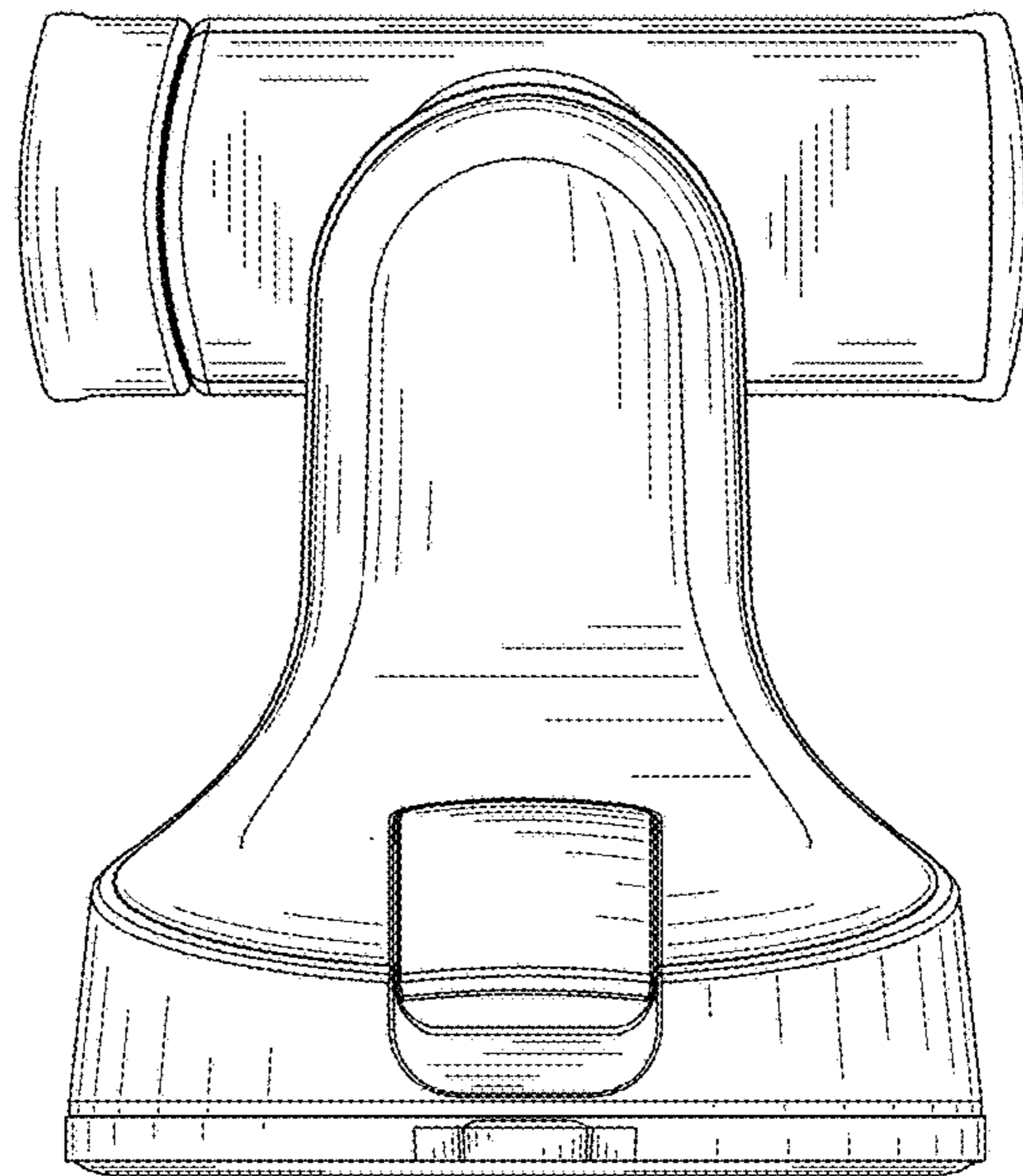


FIG. 4



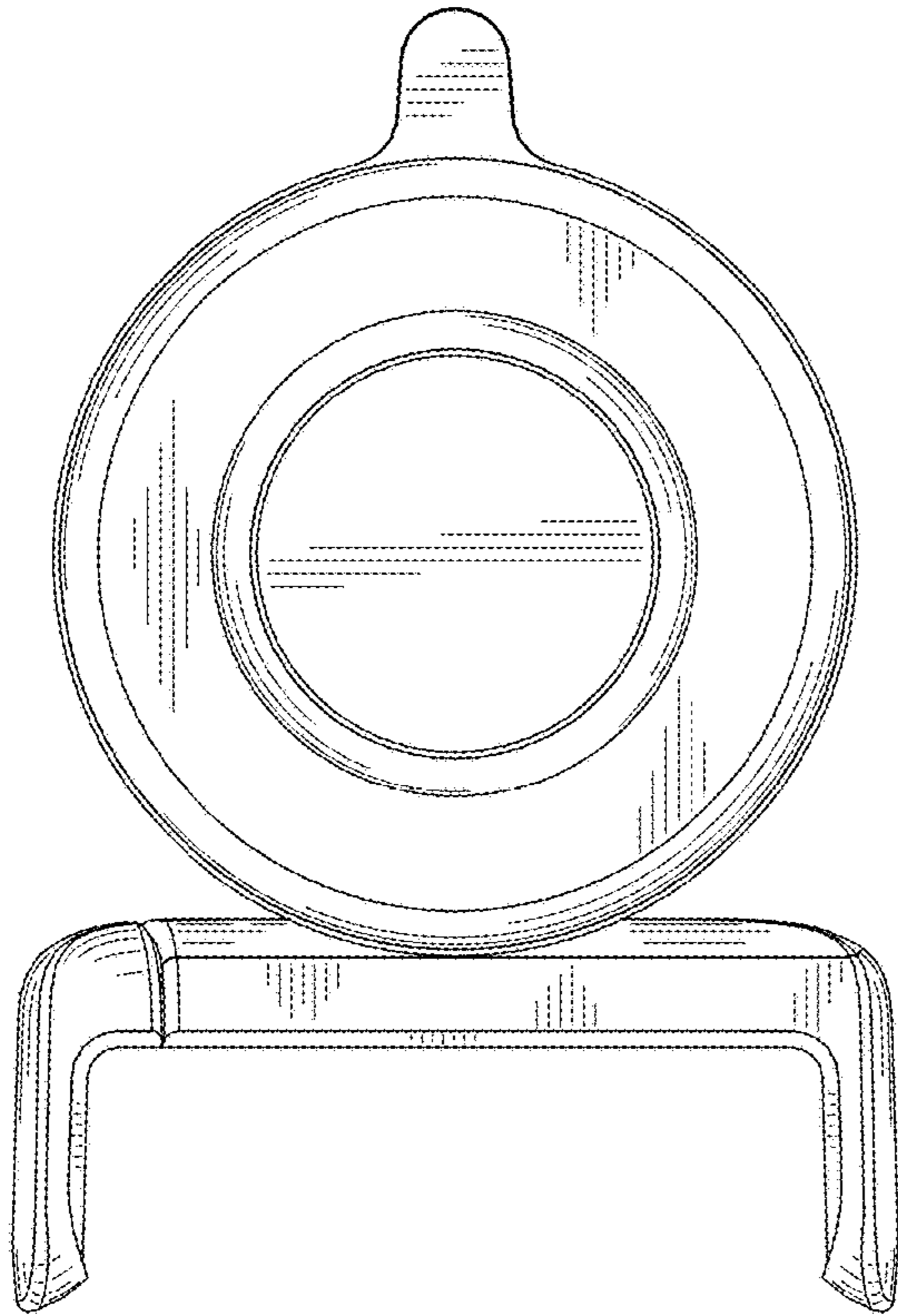


FIG. 5

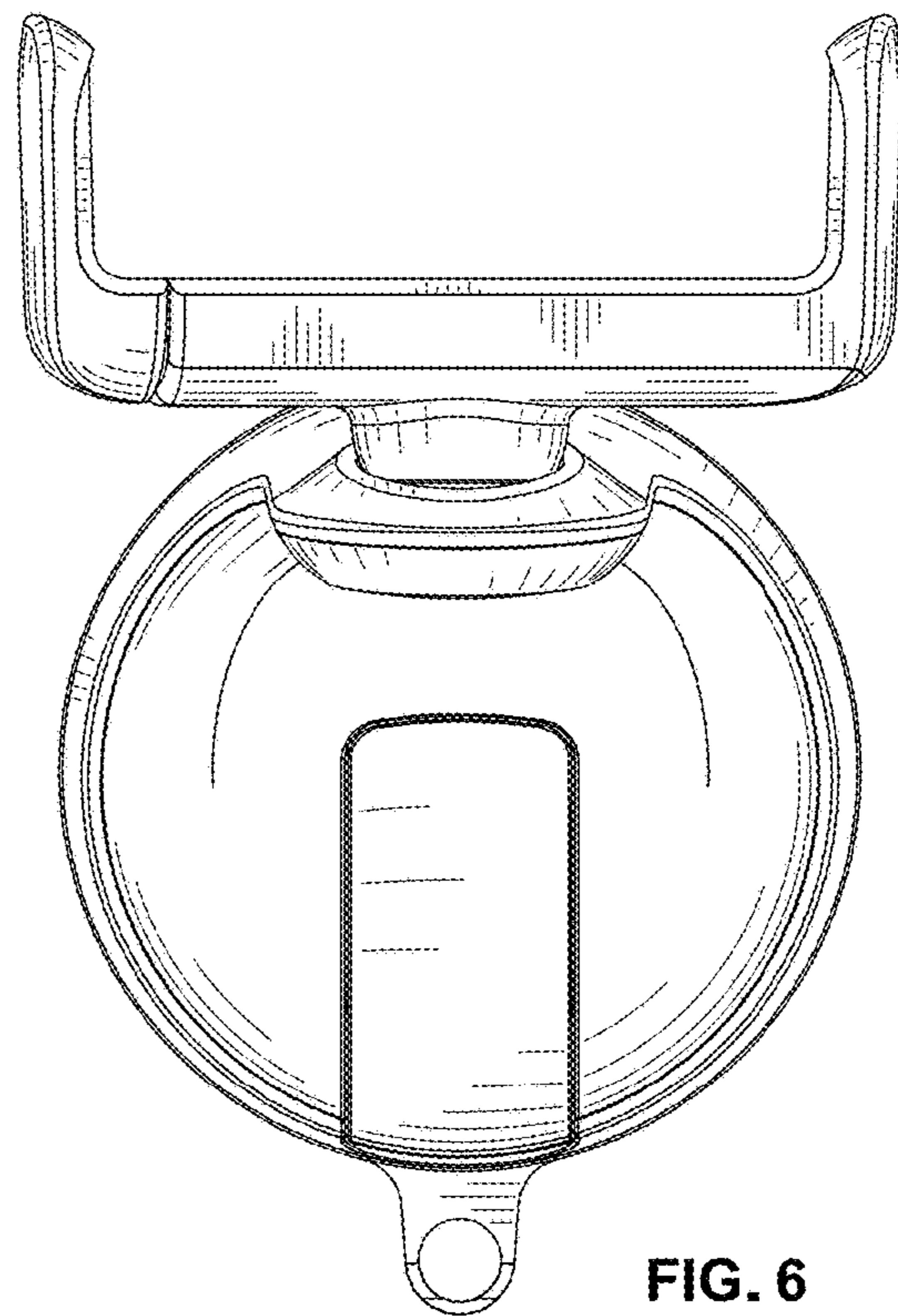


FIG. 6

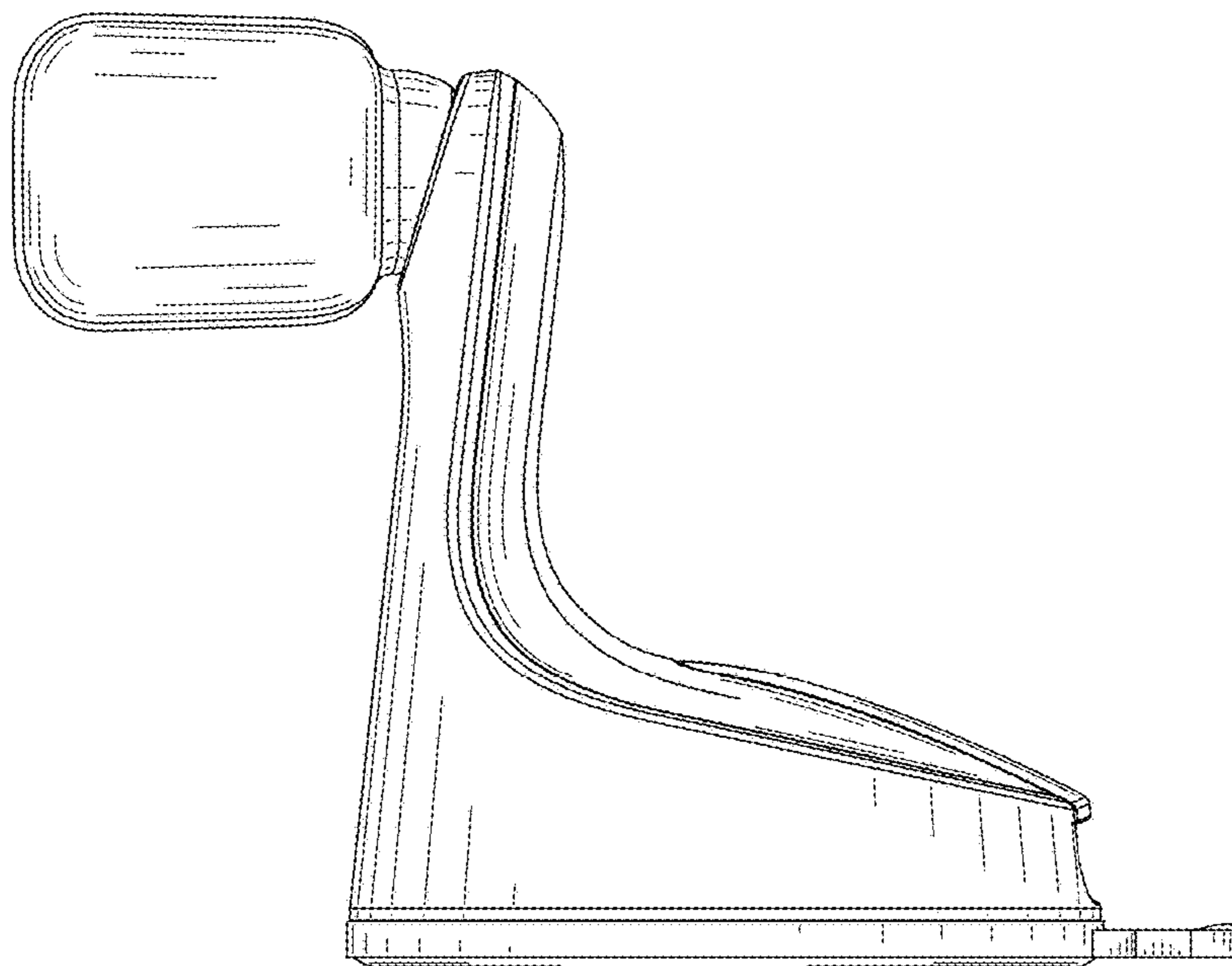


FIG. 7

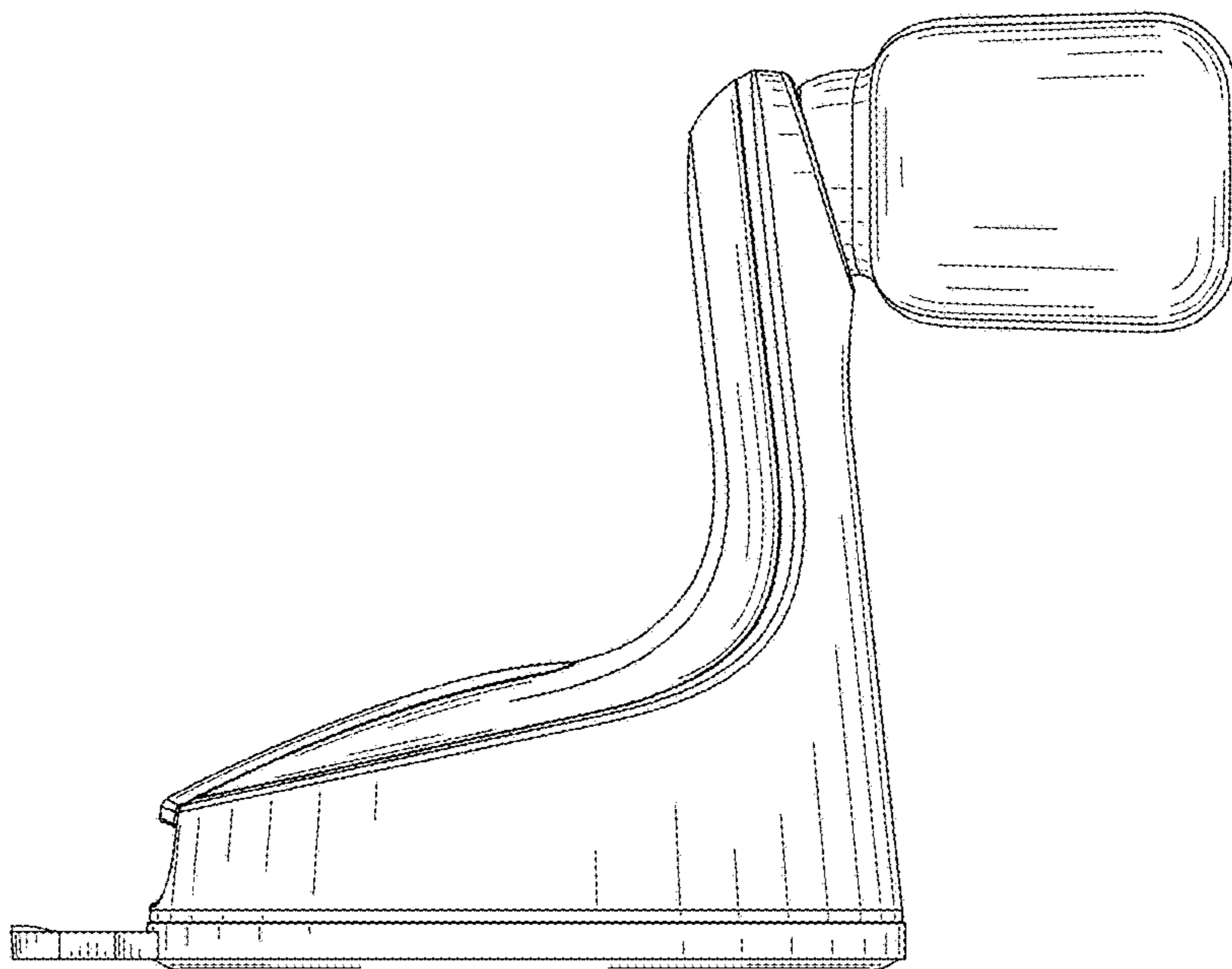


FIG. 8

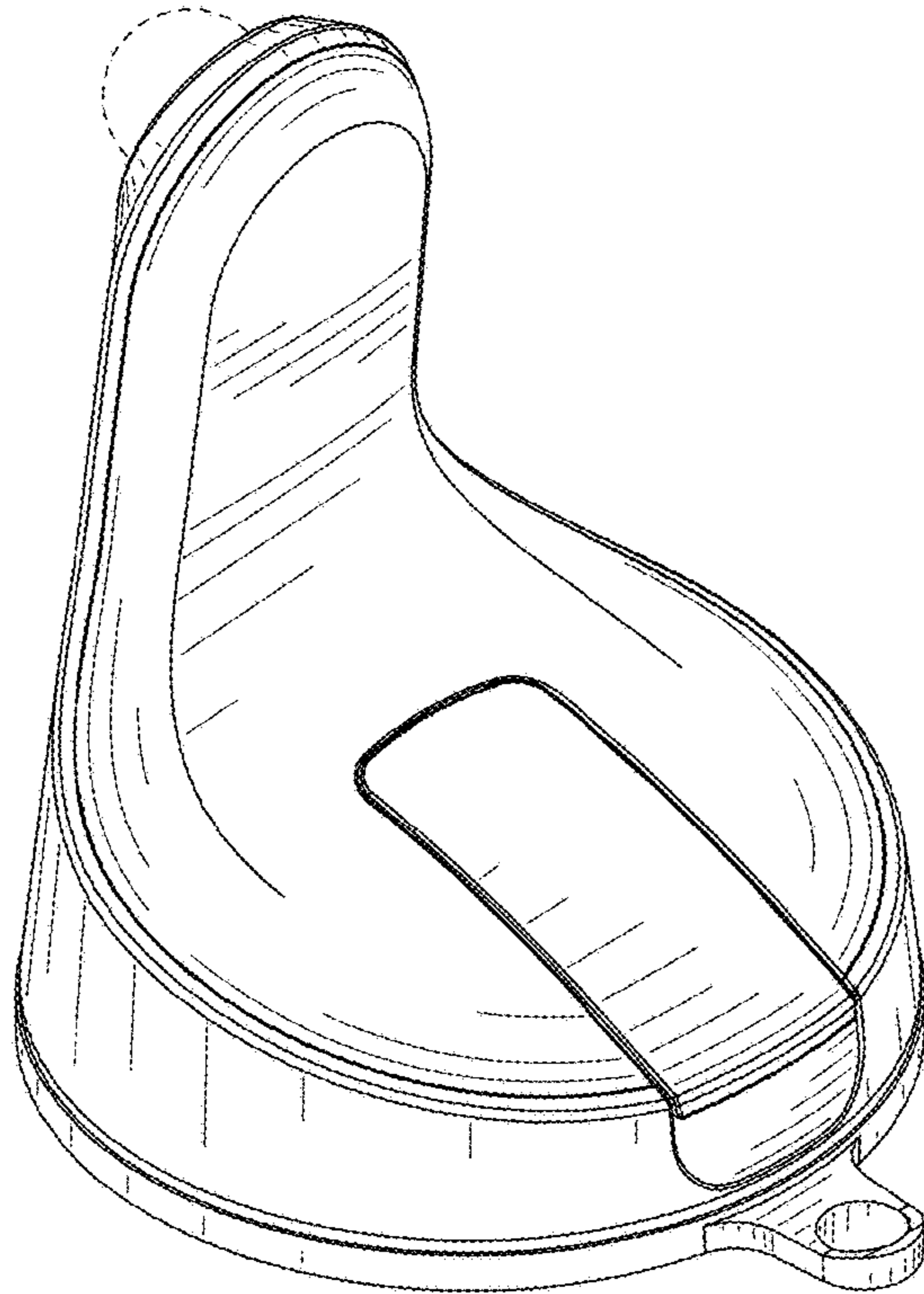


FIG. 9

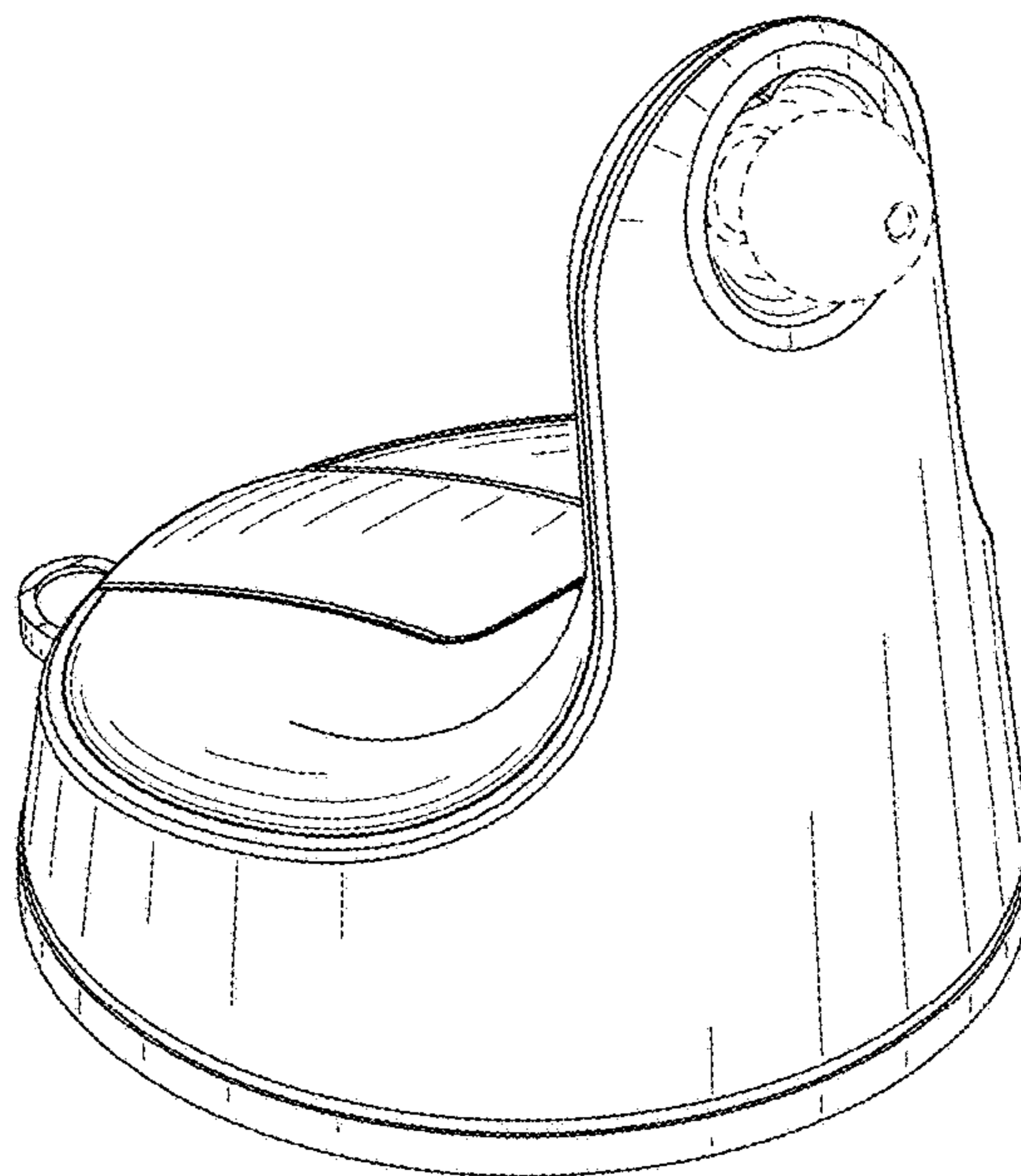


FIG. 10



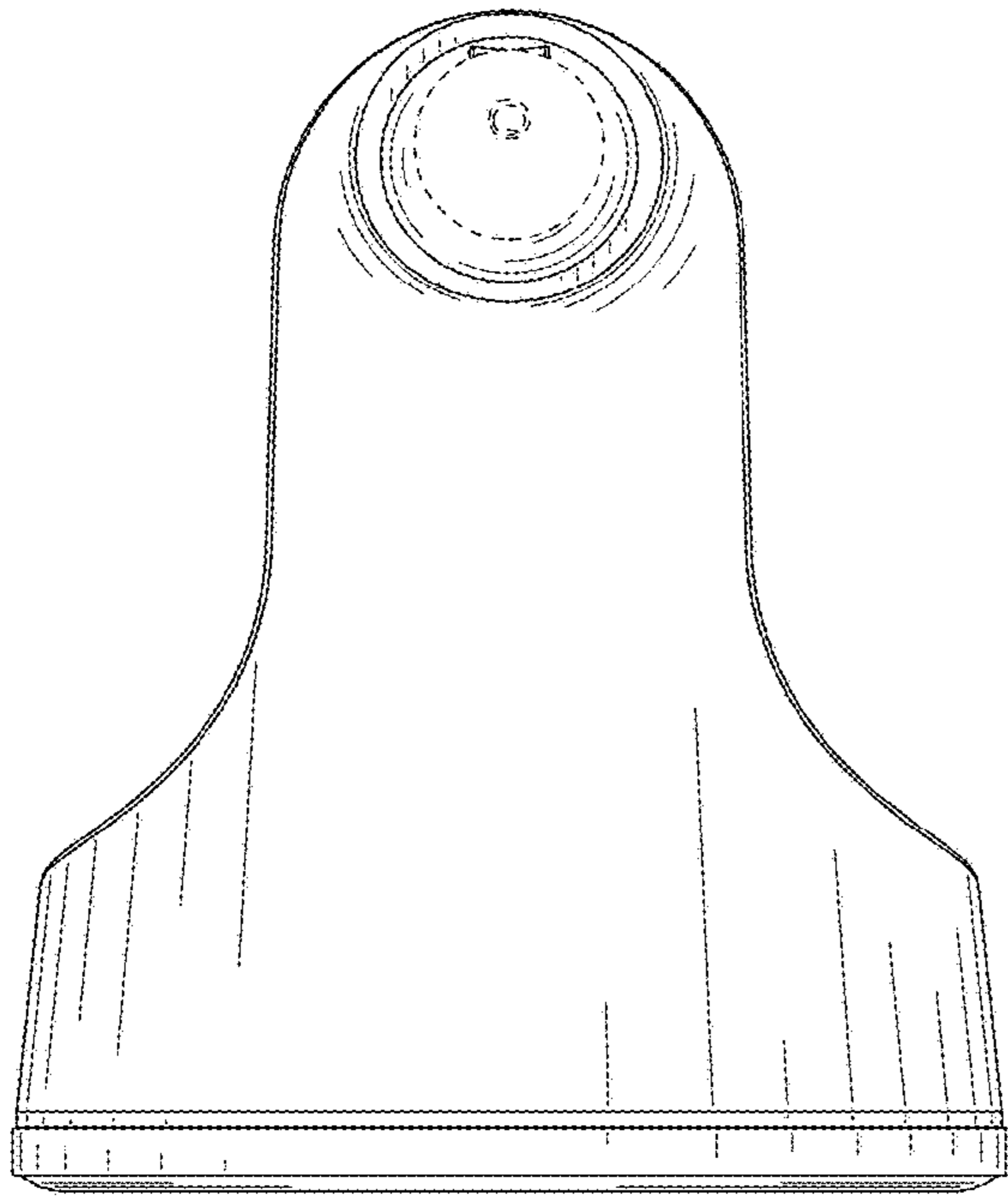


FIG. 11

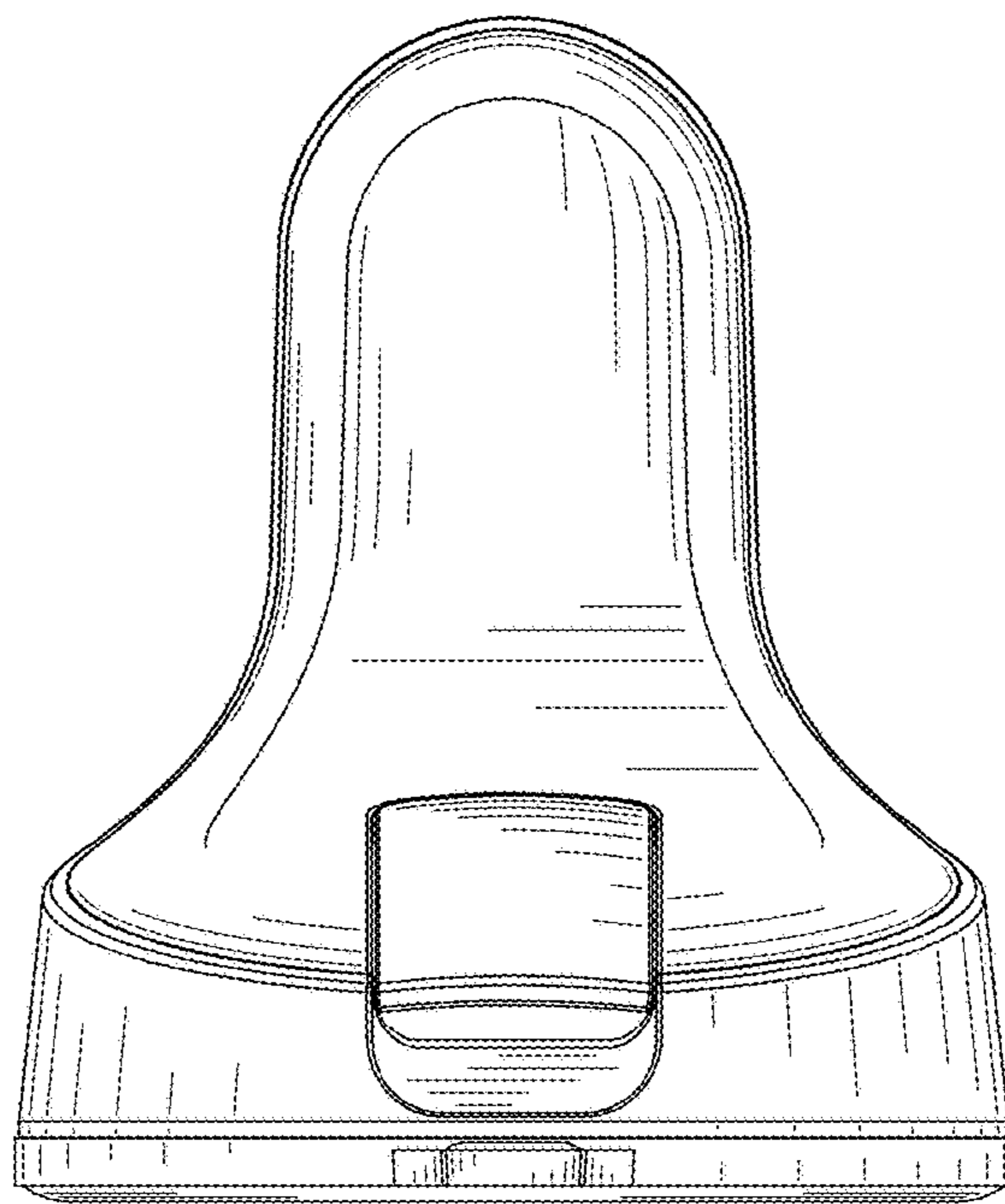


FIG. 12

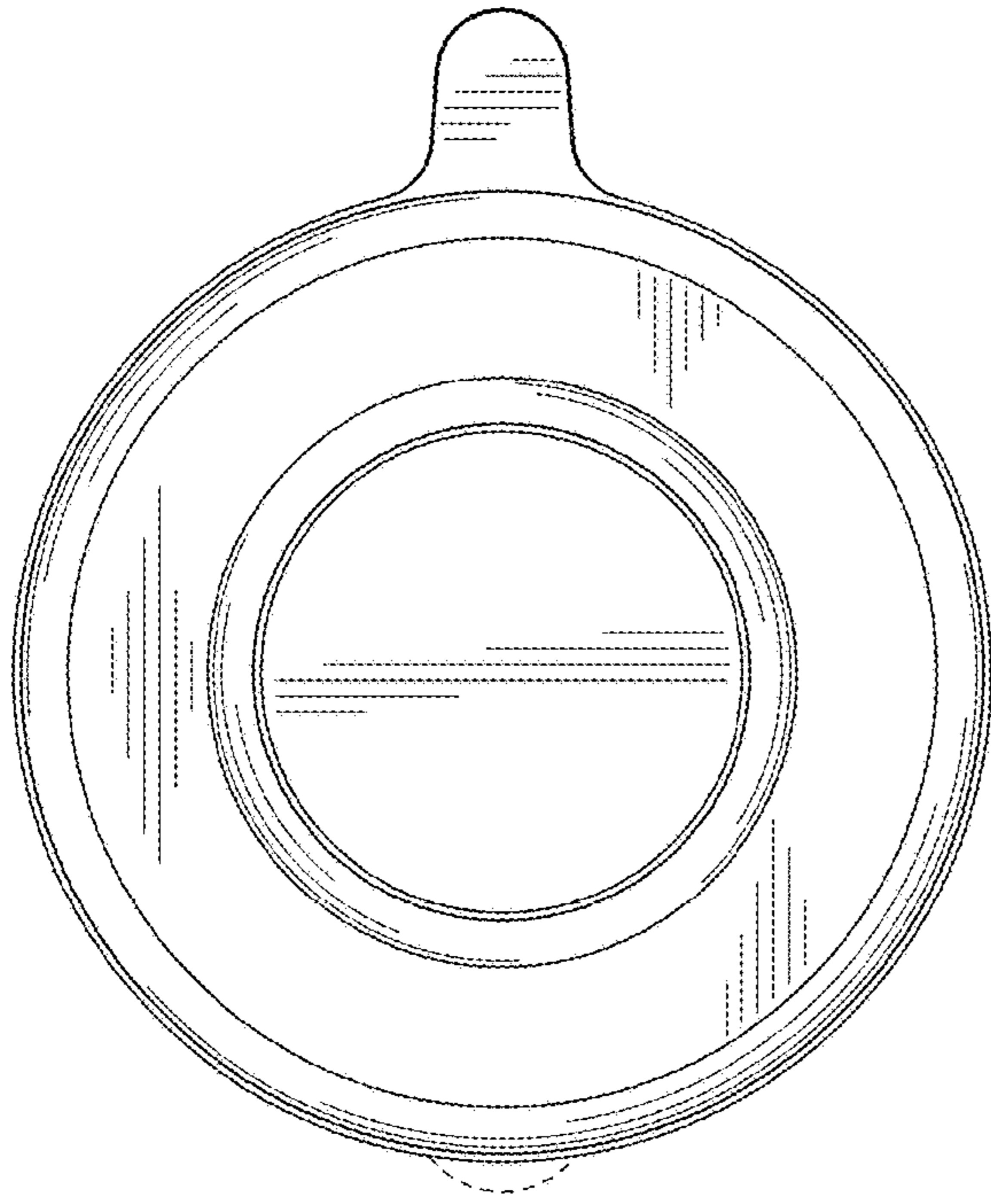


FIG. 13

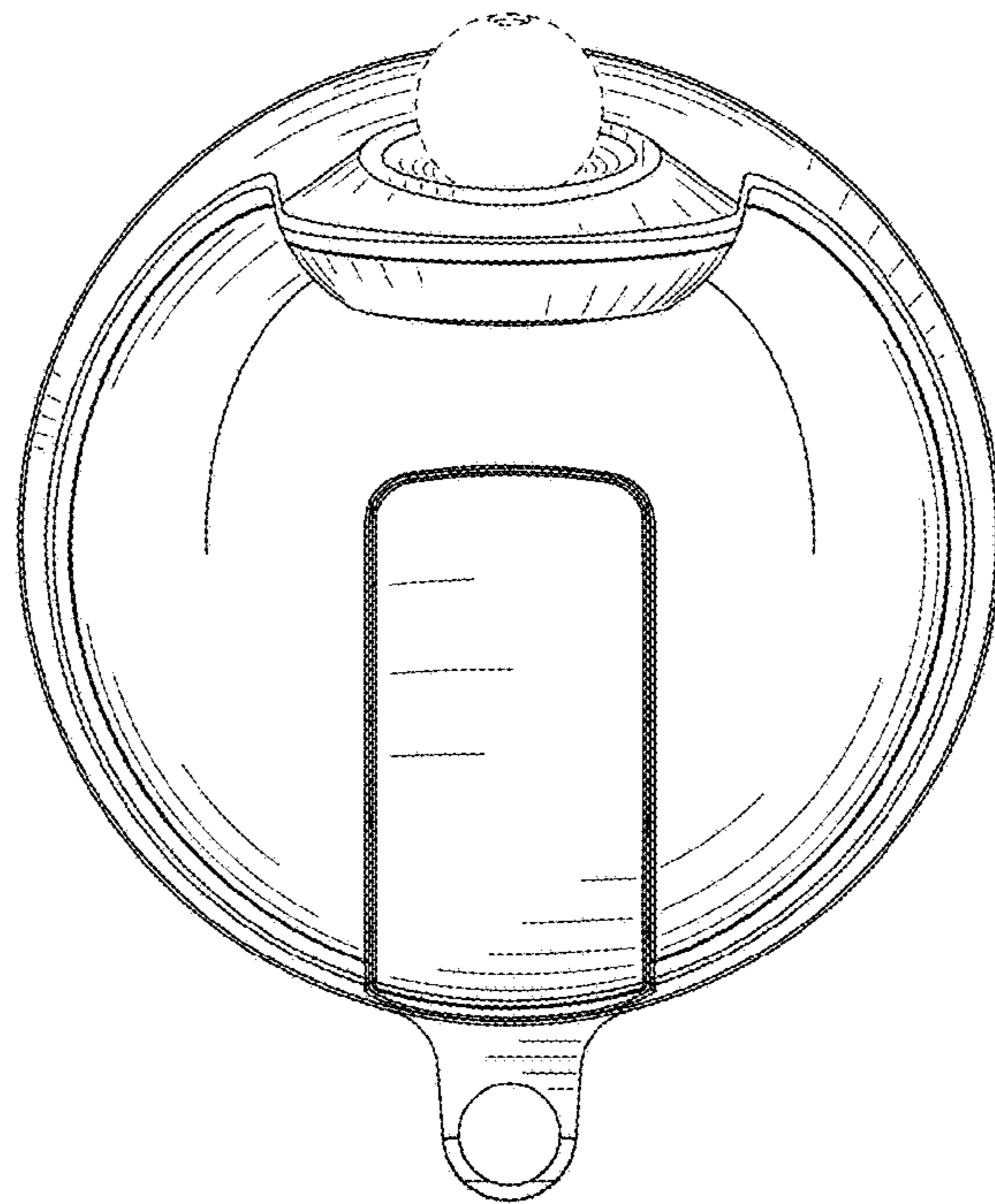


FIG. 14

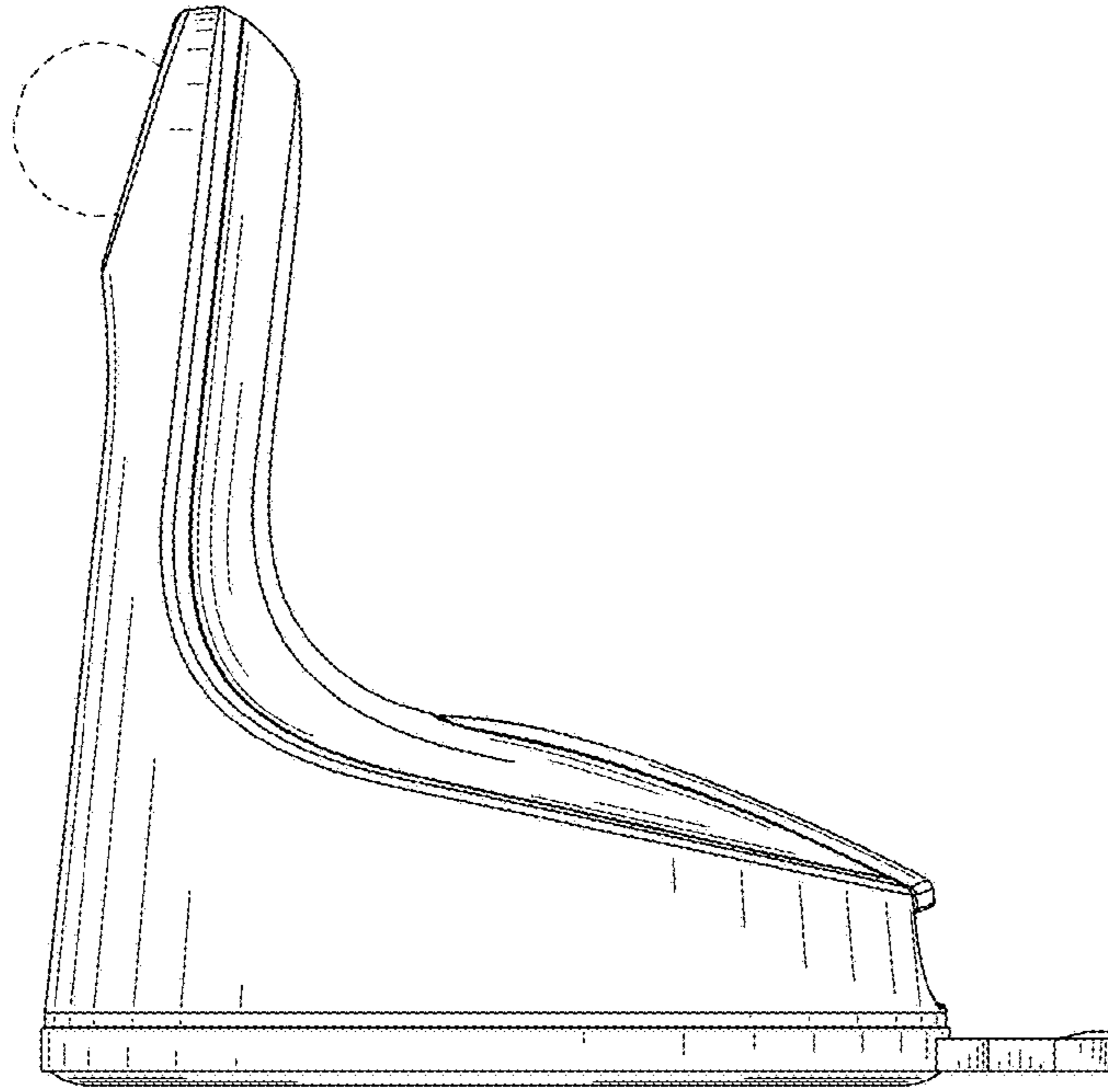


FIG. 15

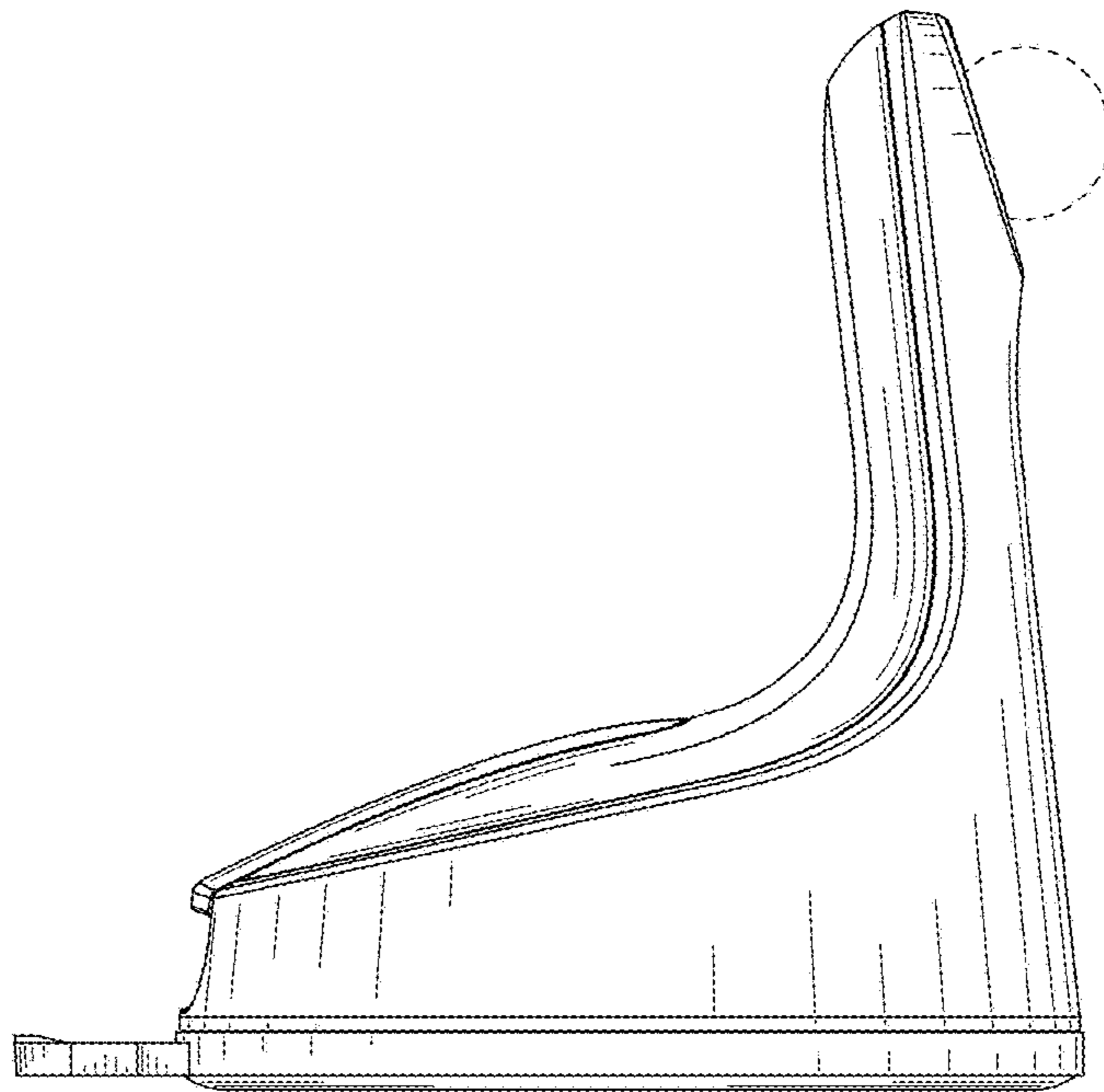


FIG. 16



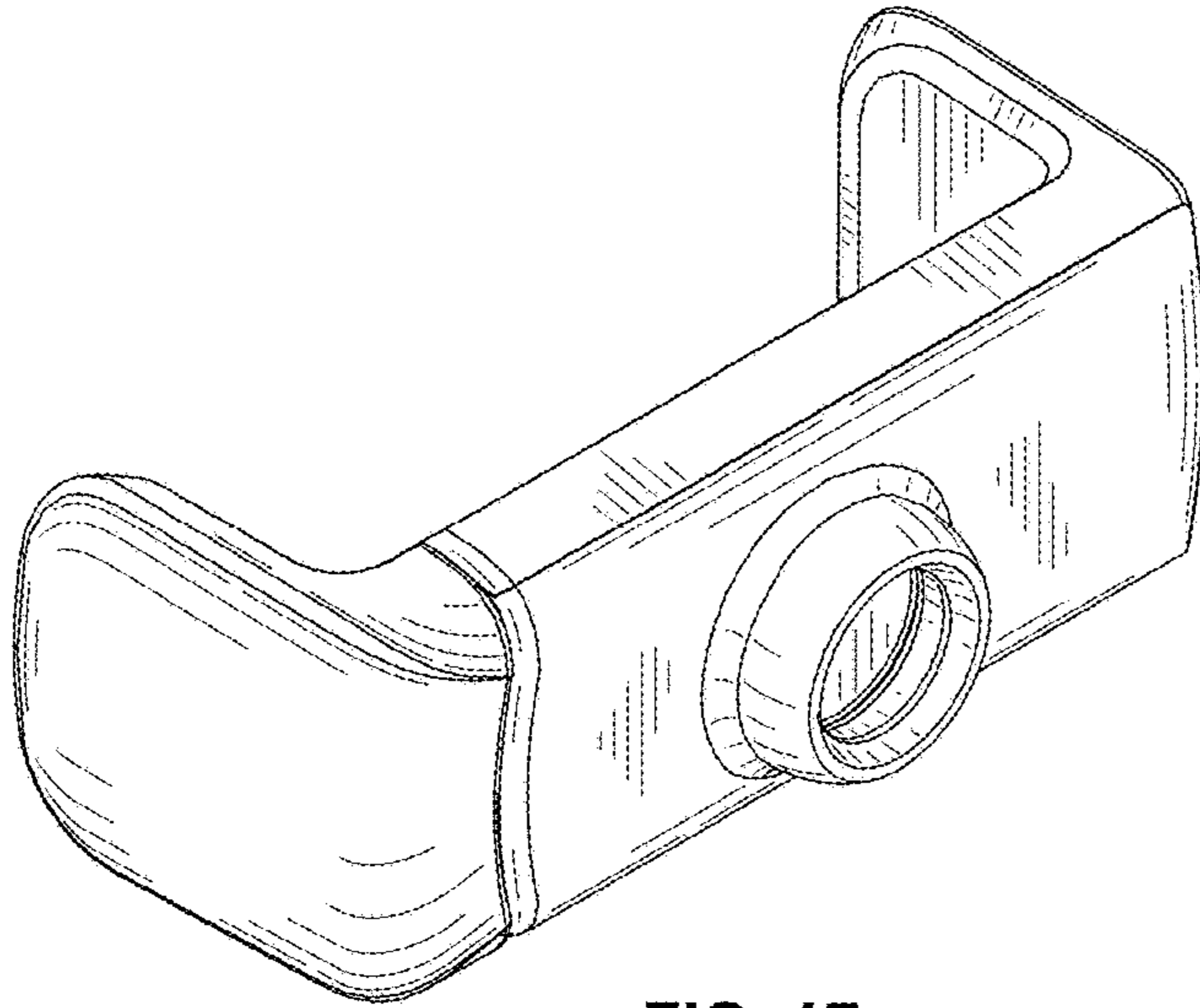


FIG. 17

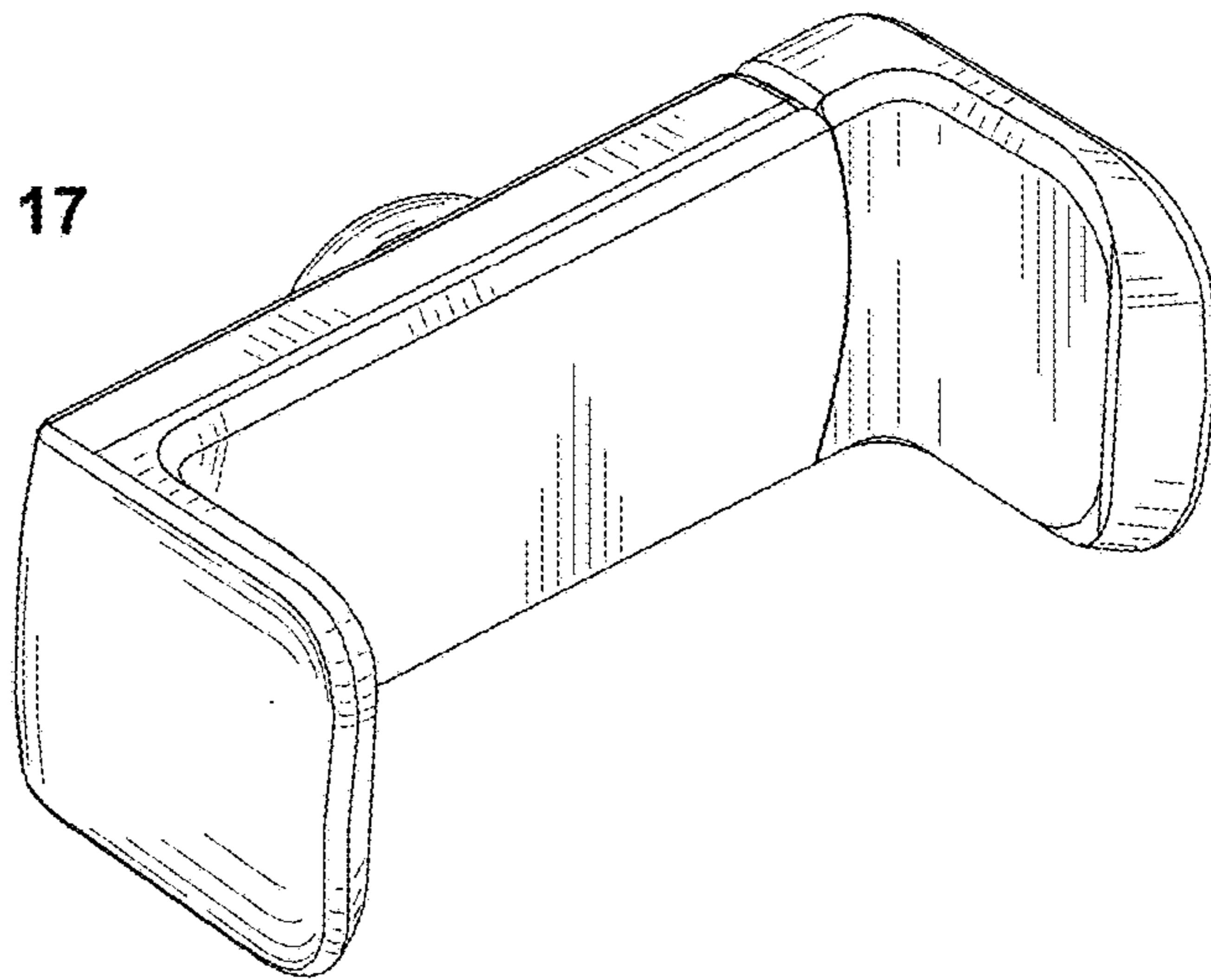


FIG. 18

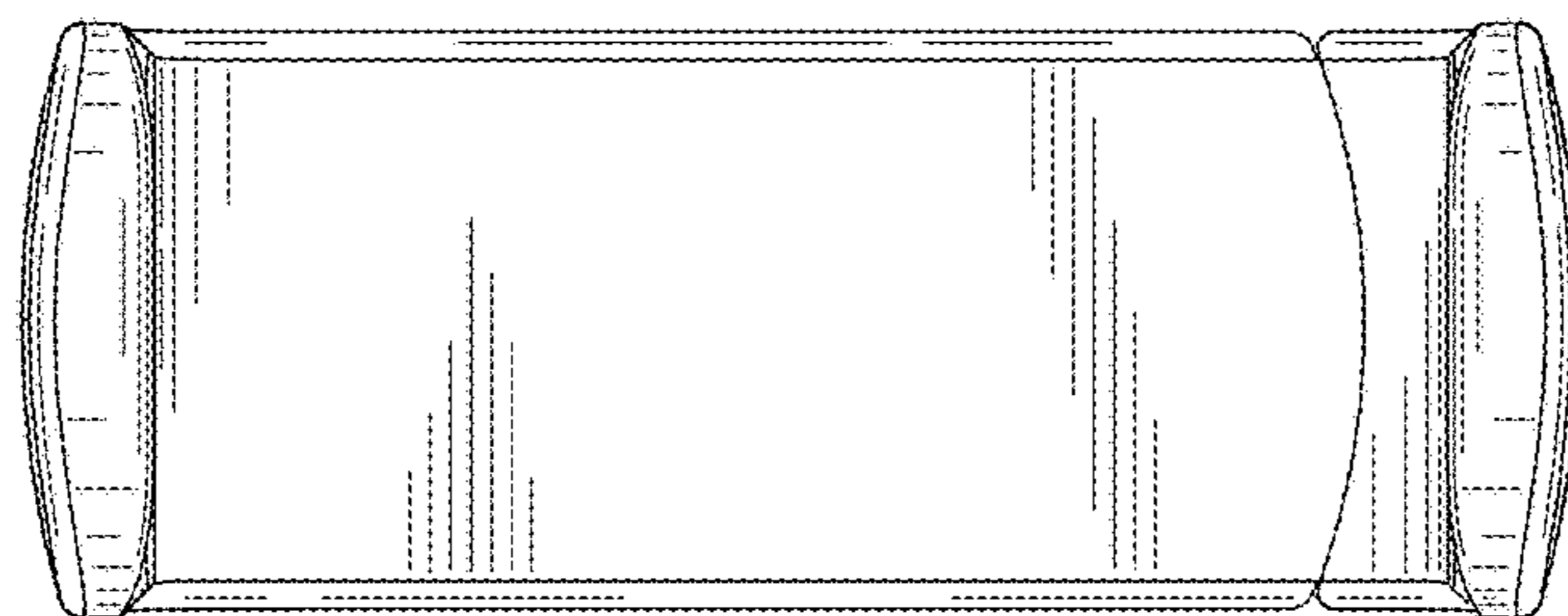


FIG. 19

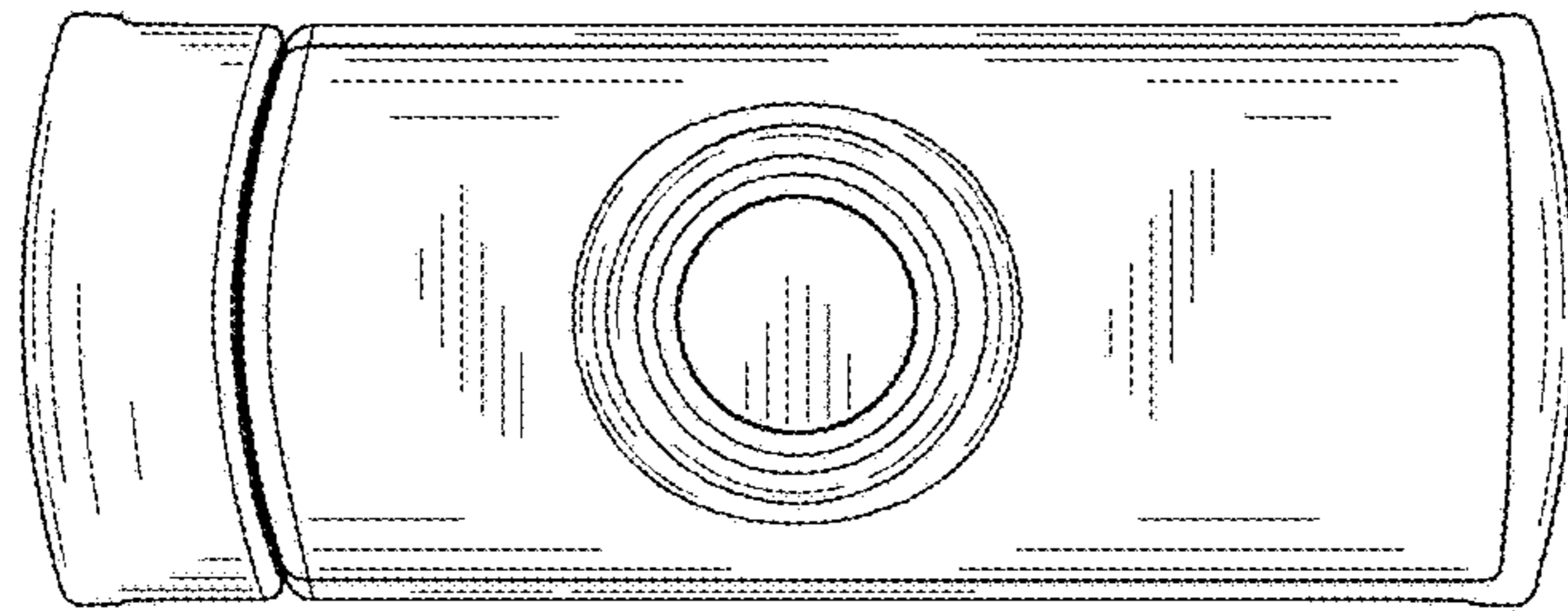


FIG. 20

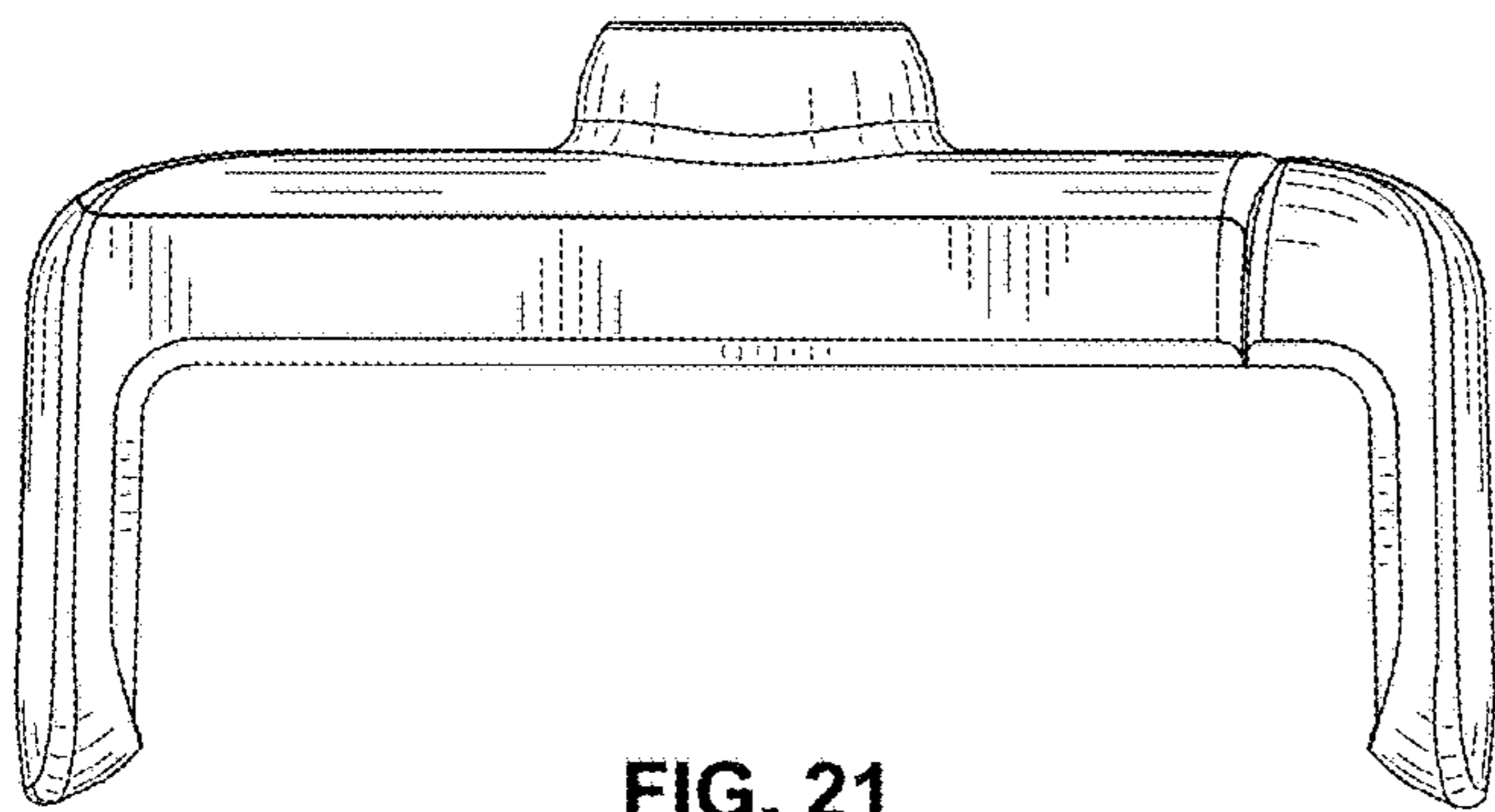


FIG. 21

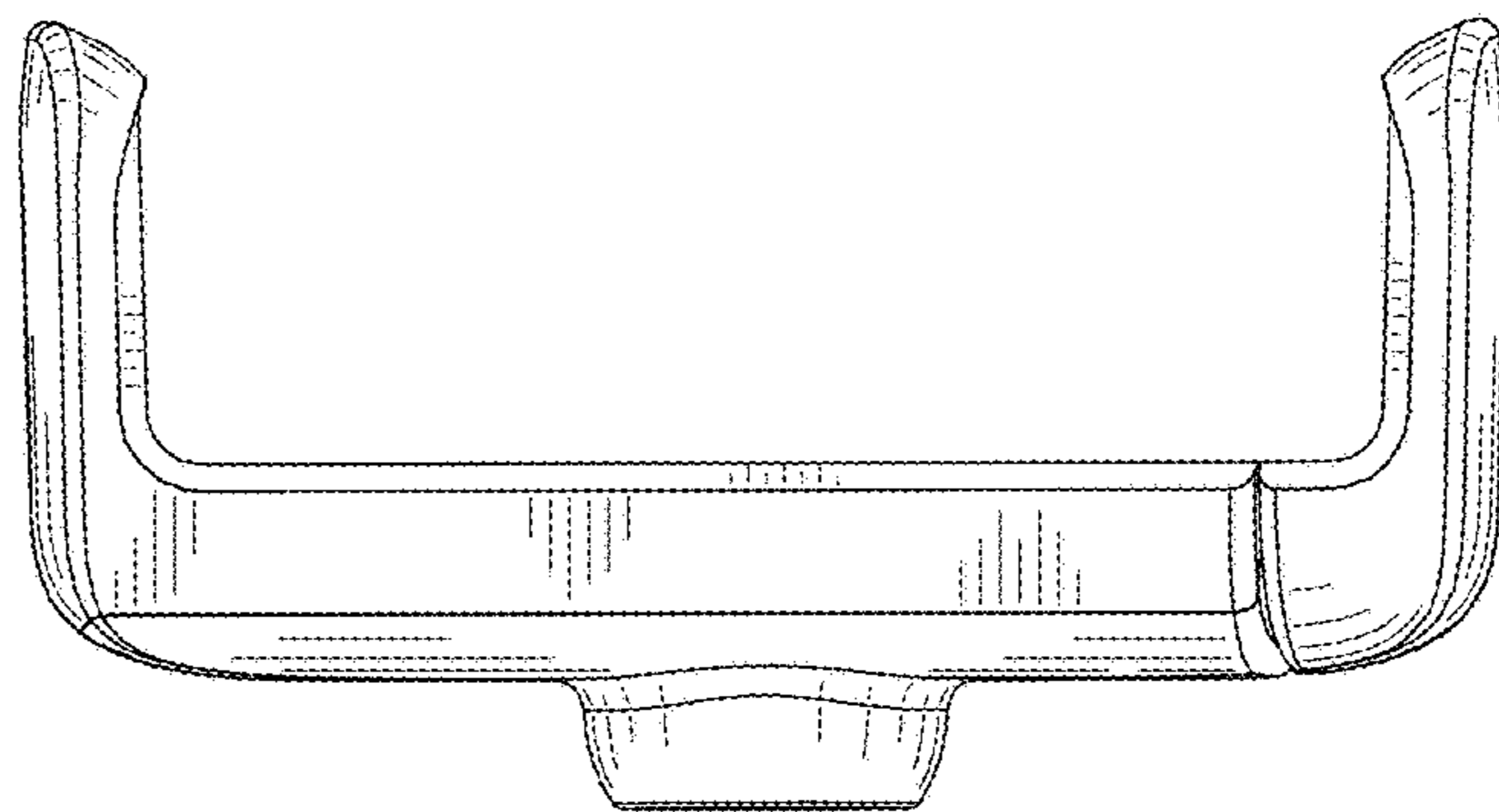


FIG. 22

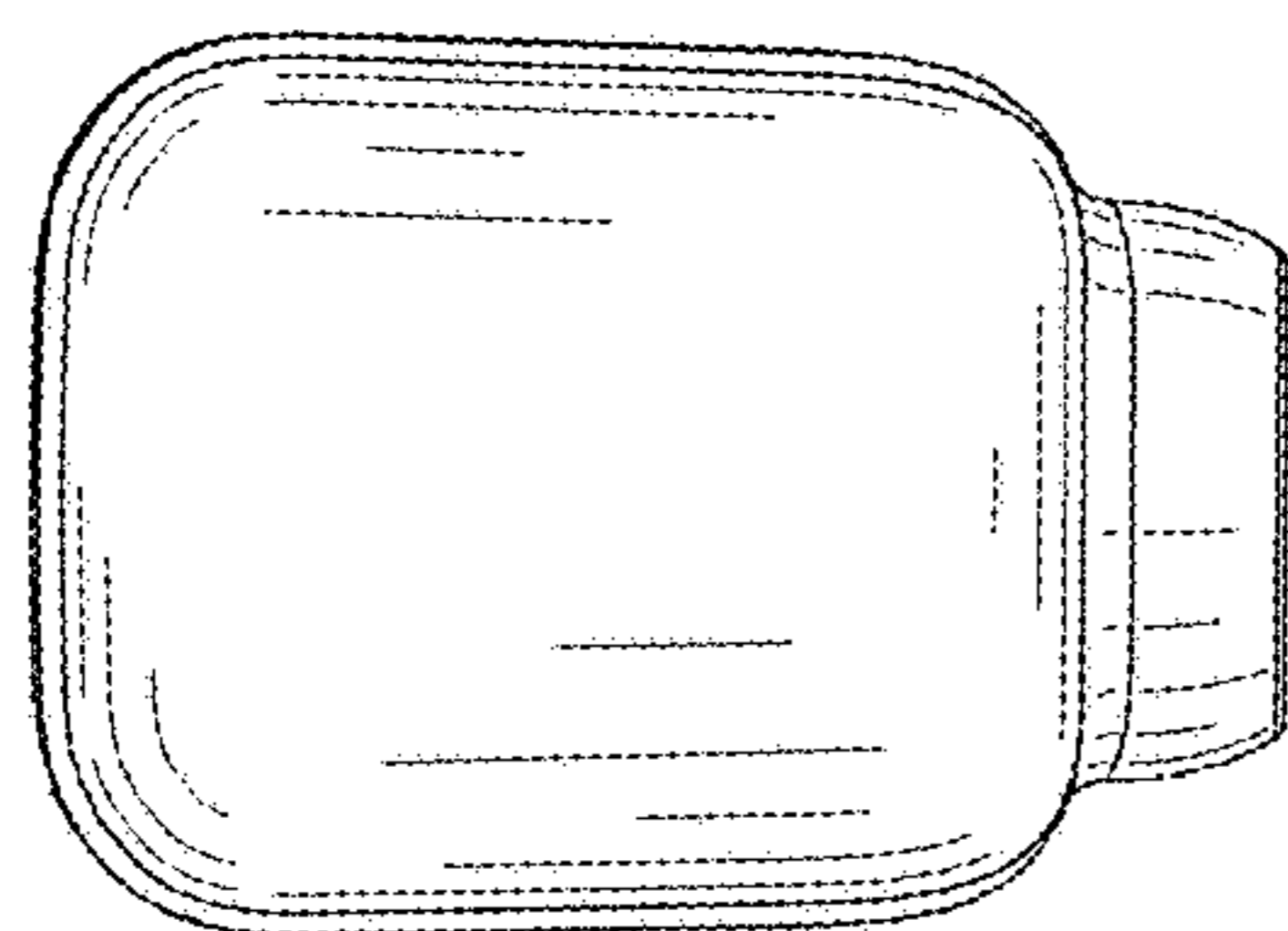


FIG. 23

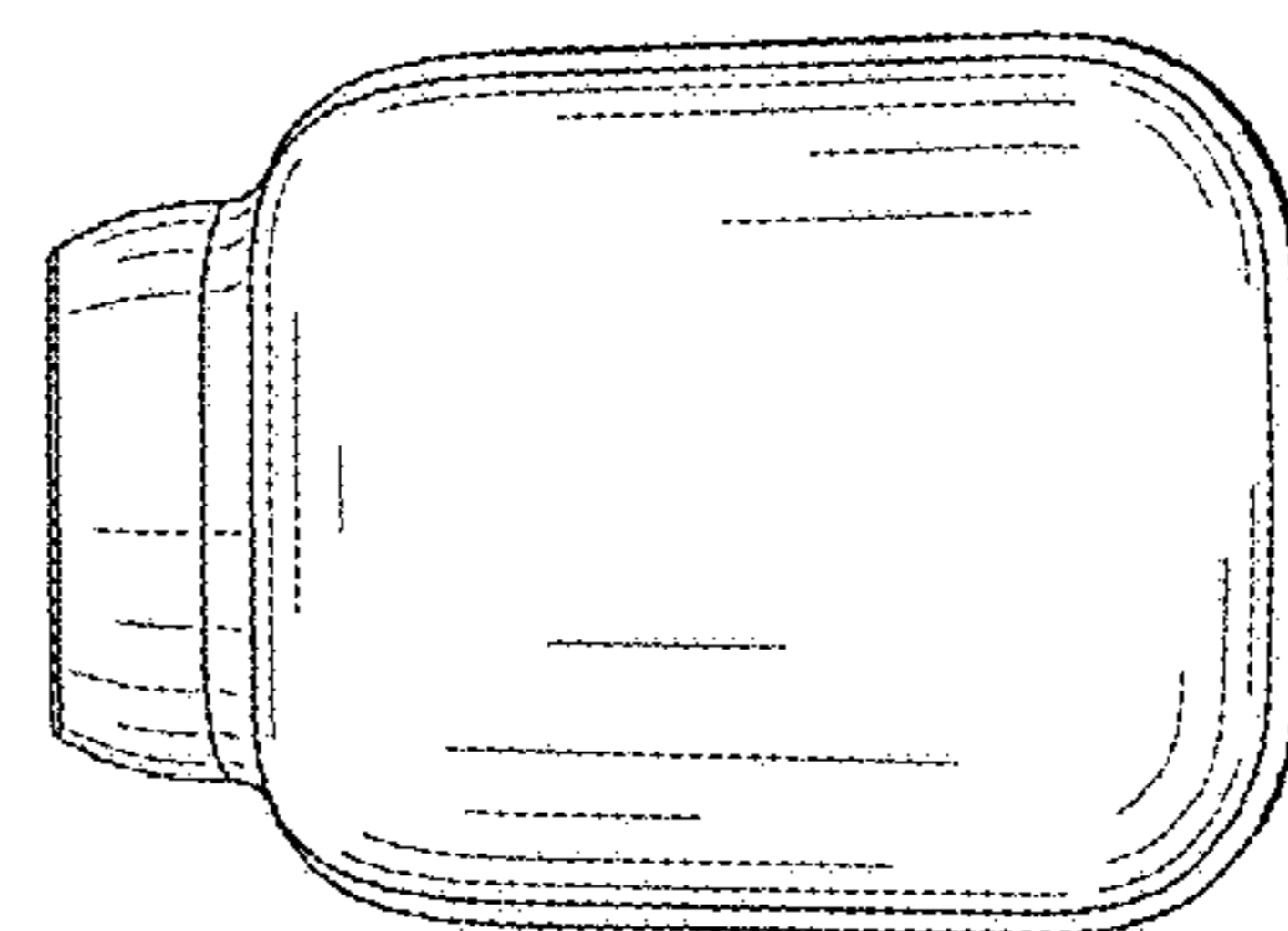


FIG. 24

UNITED STATES PATENT AND TRADEMARK OFFICE  
**CERTIFICATE OF CORRECTION**

PATENT NO. : D831,665 S  
APPLICATION NO. : 29/617062  
DATED : October 23, 2018  
INVENTOR(S) : Yao et al.

Page 1 of 1

It is certified that error appears in the above-identified patent and that said Letters Patent is hereby corrected as shown below:

On the Title Page

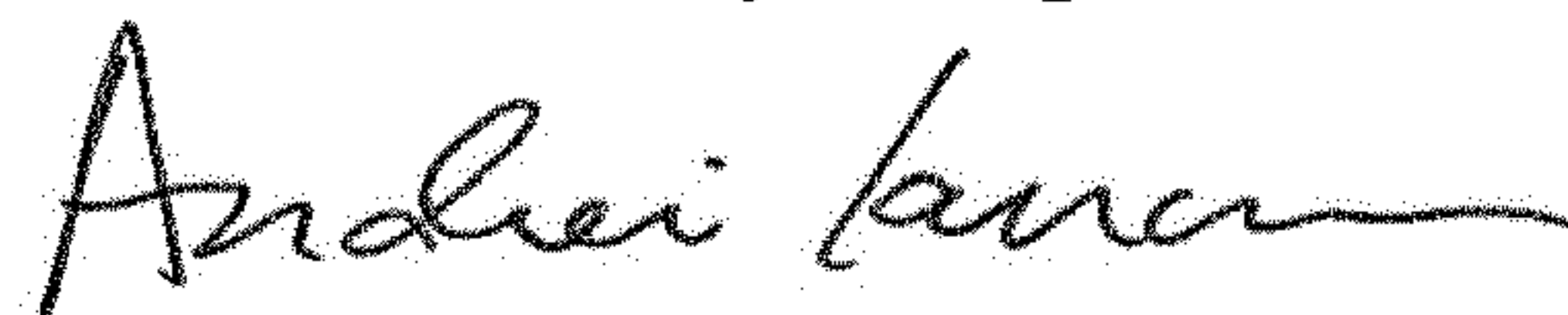
Under "DESCRIPTION" on page 3: Delete descriptions for FIG. 9, FIG. 10, FIG. 11, FIG. 12, FIG. 13, FIG. 14, FIG. 15, FIG. 16, FIG. 17, FIG. 18, FIG. 19, FIG. 20, FIG. 21, FIG. 22, FIG. 23 and FIG. 24.

Under abstract "1 Claim, 10 Drawing Sheets" should read --1 Claim, 4 Drawing Sheets--.

In the Drawings

Delete drawings sheets 5, 6, 7, 8, 9 and 10 for FIG. 9, FIG. 10, FIG. 11, FIG. 12, FIG. 13, FIG. 14, FIG. 15, FIG. 16, FIG. 17, FIG. 18, FIG. 19, FIG. 20, FIG. 21, FIG. 22, FIG. 23 and FIG. 24.

Signed and Sealed this  
Sixteenth Day of April, 2019



Andrei Iancu  
*Director of the United States Patent and Trademark Office*