



US00D831664S

(12) **United States Design Patent**  
**Chen**

(10) **Patent No.:** **US D831,664 S**

(45) **Date of Patent:** **\*\* Oct. 23, 2018**

(54) **LAPTOP STAND**

(71) Applicant: **Haiqiang Chen**, Guangdong (CN)

(72) Inventor: **Haiqiang Chen**, Guangdong (CN)

(73) Assignee: **Shenzhen ShengDi Development Co., Ltd.**, Futian Dist., Shenzhen, Guangdong (CN)

(\*\*) Term: **15 Years**

(21) Appl. No.: **29/609,940**

(22) Filed: **Jul. 7, 2017**

(51) **LOC (11) Cl.** ..... **08-07**

(52) **U.S. Cl.**  
USPC ..... **D14/447**

(58) **Field of Classification Search**  
USPC ..... D14/447, 432, 434, 439, 440, 451, 452,  
D14/457, 239; D8/363, 373, 380;  
D6/406.3, 406.4, 406.5, 406.6; D12/415  
CPC ..... A47B 21/04; A47B 2097/006; A47B  
2097/005; A47B 2023/049; A45C  
2011/002; A45C 2011/003; F16M  
2200/00; F16M 13/00  
See application file for complete search history.

(56) **References Cited**

**U.S. PATENT DOCUMENTS**

D549,707 S \* 8/2007 Depay ..... D14/434  
D558,192 S \* 12/2007 Daly ..... D14/251

D571,788 S \* 6/2008 King, Jr. .... D14/217  
D571,815 S \* 6/2008 Chung ..... D14/447  
D622,274 S \* 8/2010 Green ..... D14/447  
D626,559 S \* 11/2010 Green ..... D14/447  
D637,599 S \* 5/2011 Liao ..... D14/447  
D696,260 S \* 12/2013 Merea ..... D14/447  
D699,245 S \* 2/2014 Lee ..... D14/447  
D703,675 S \* 4/2014 Jensen ..... D14/447  
D763,858 S \* 8/2016 Fluckiger ..... D14/440  
D767,575 S \* 9/2016 Green ..... D14/447  
D791,140 S \* 7/2017 Nuk ..... D14/447

\* cited by examiner

*Primary Examiner* — Angela J Lee

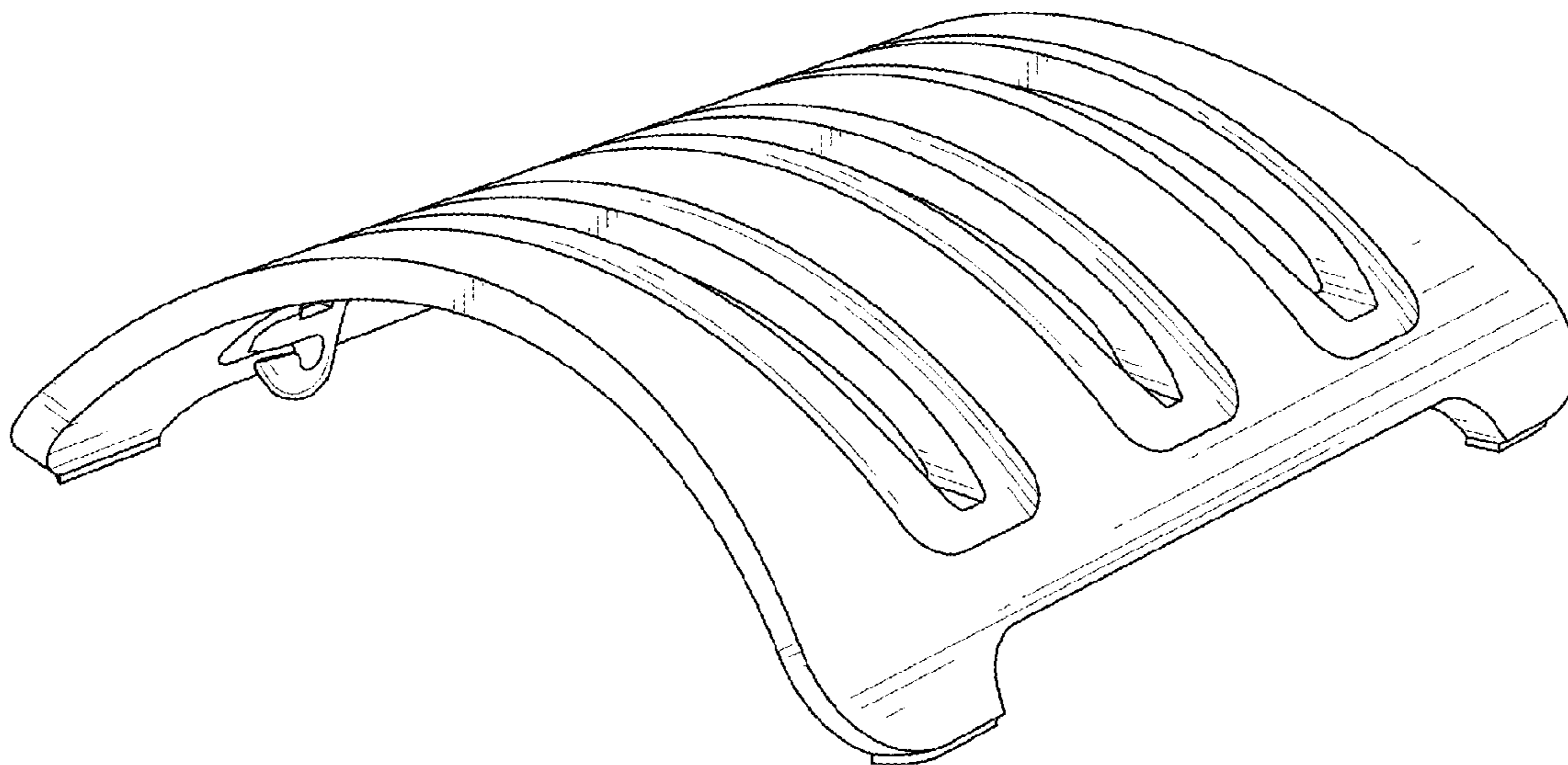
(57) **CLAIM**

The ornamental design for laptop stand, as shown and described.

**DESCRIPTION**

FIG. 1 is a perspective view of laptop stand showing my new design;  
FIG. 2 is a front elevational view thereof;  
FIG. 3 is a rear elevational view thereof;  
FIG. 4 is a left side elevational view thereof;  
FIG. 5 is a right side elevational view thereof;  
FIG. 6 is a top plan view thereof; and,  
FIG. 7 is a bottom plan view thereof.

**1 Claim, 7 Drawing Sheets**



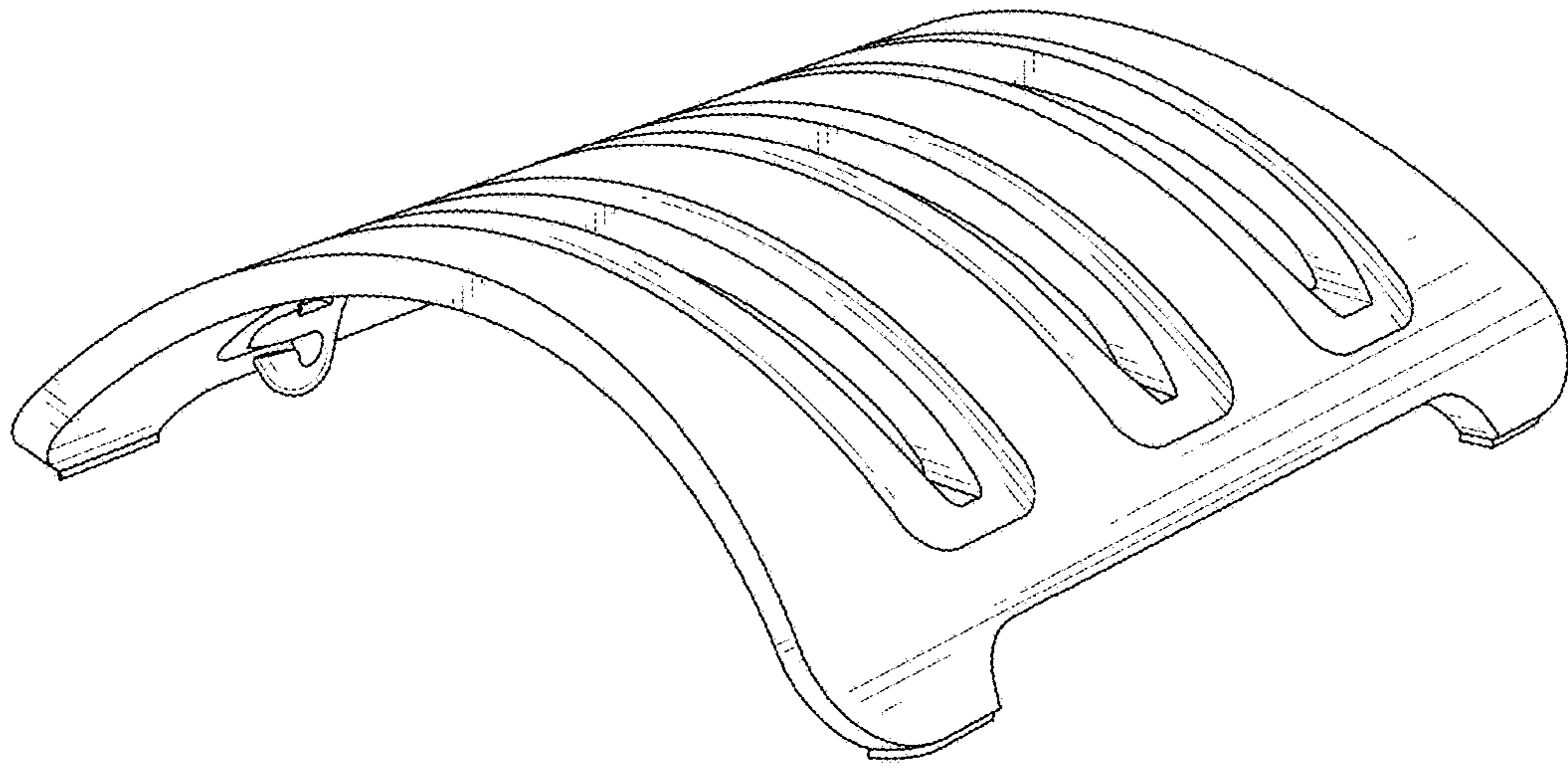


FIG. 1

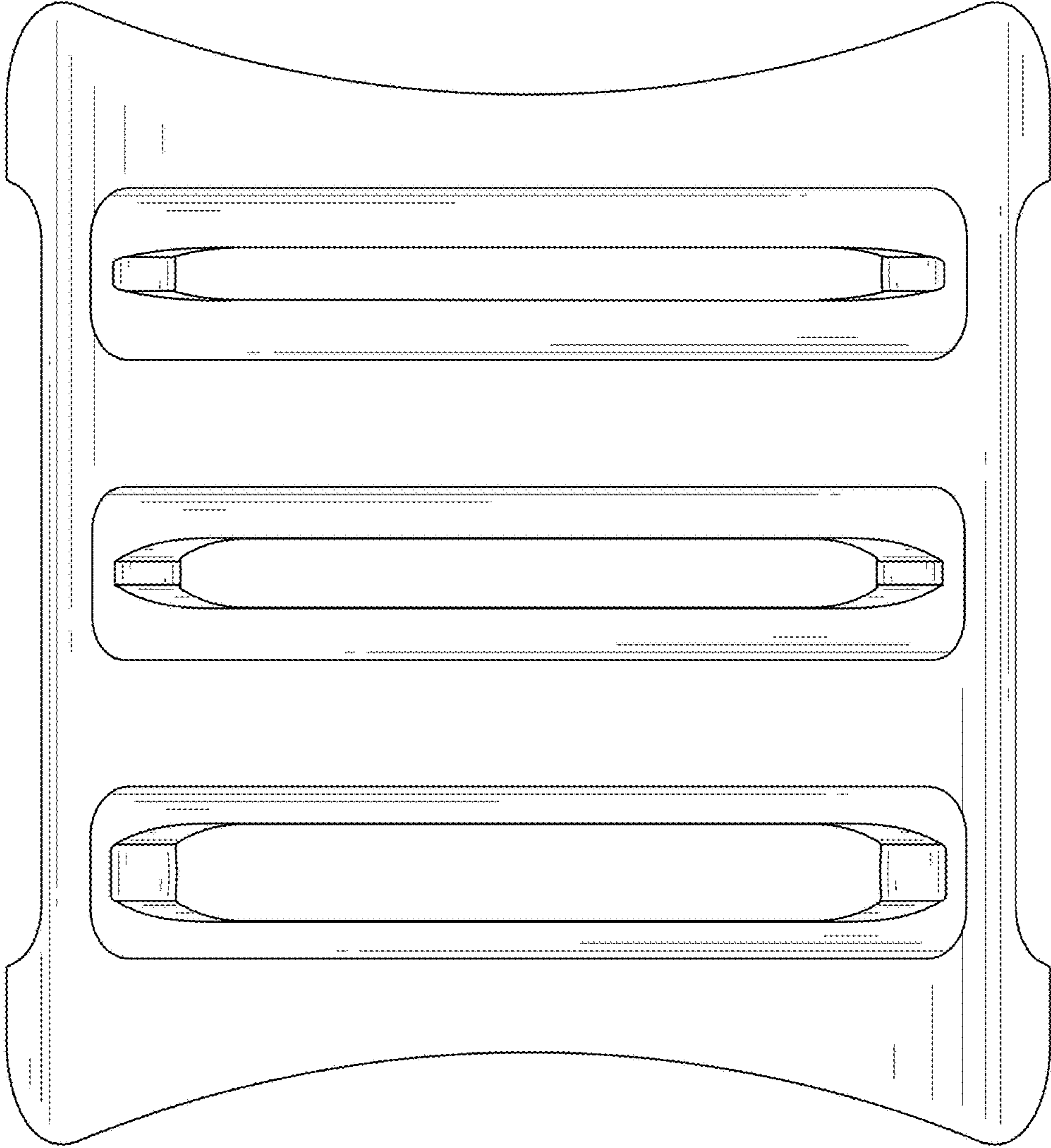


FIG. 2

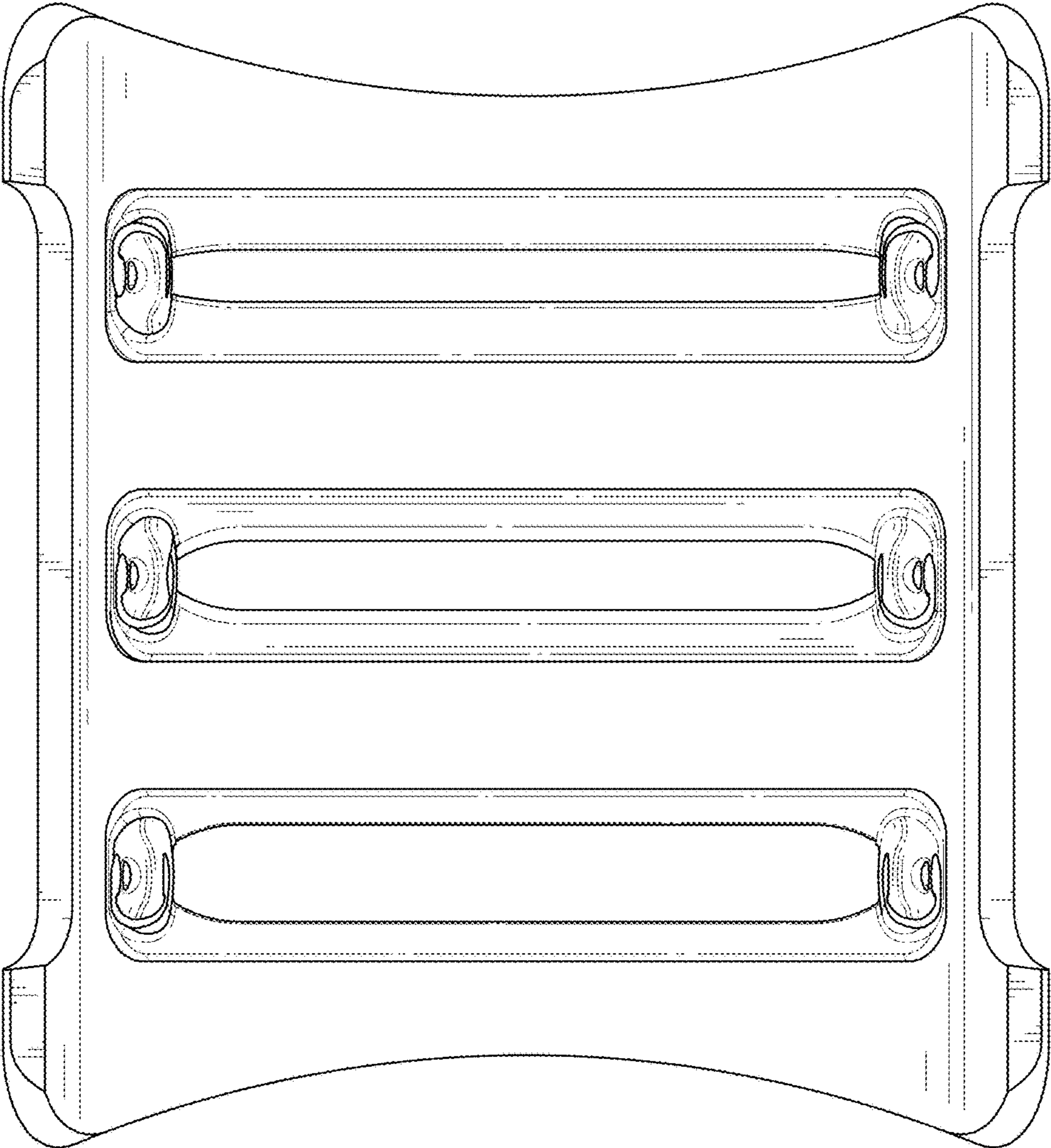


FIG. 3

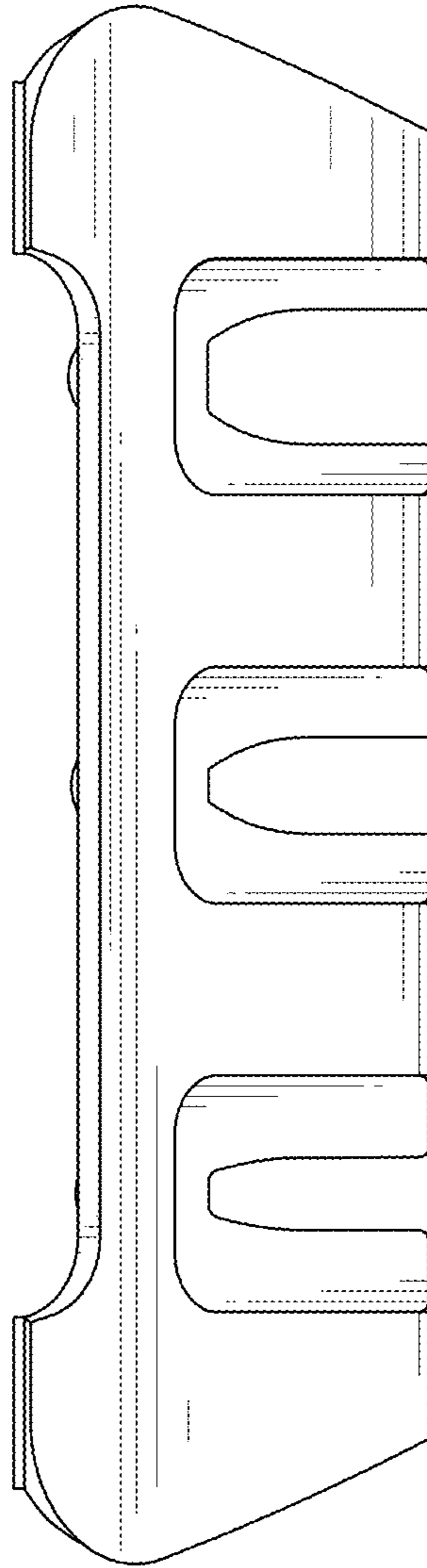


FIG. 4

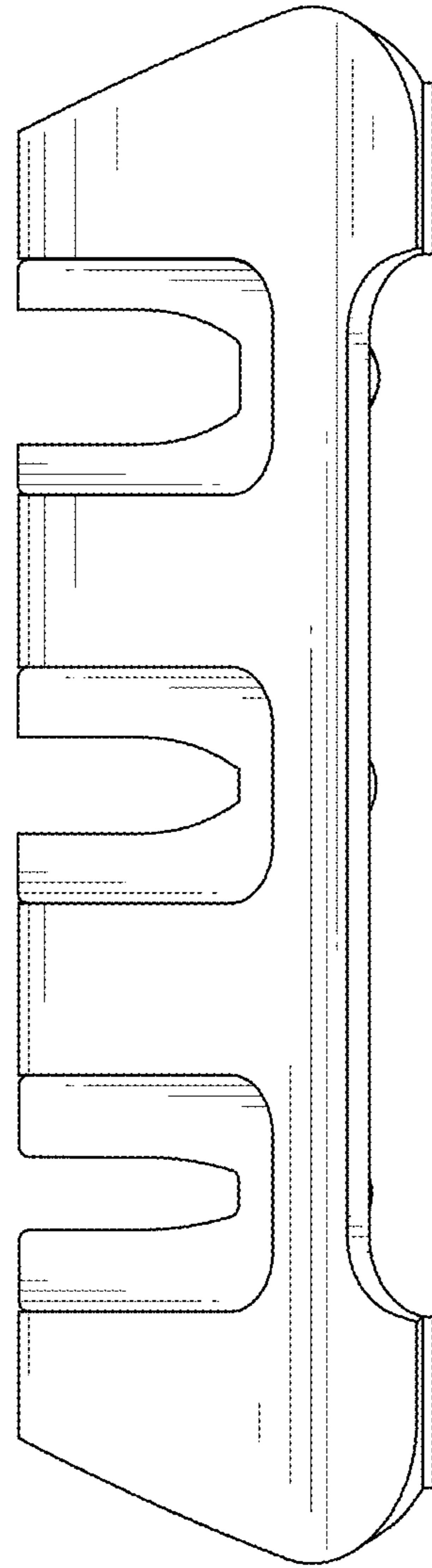


FIG. 5

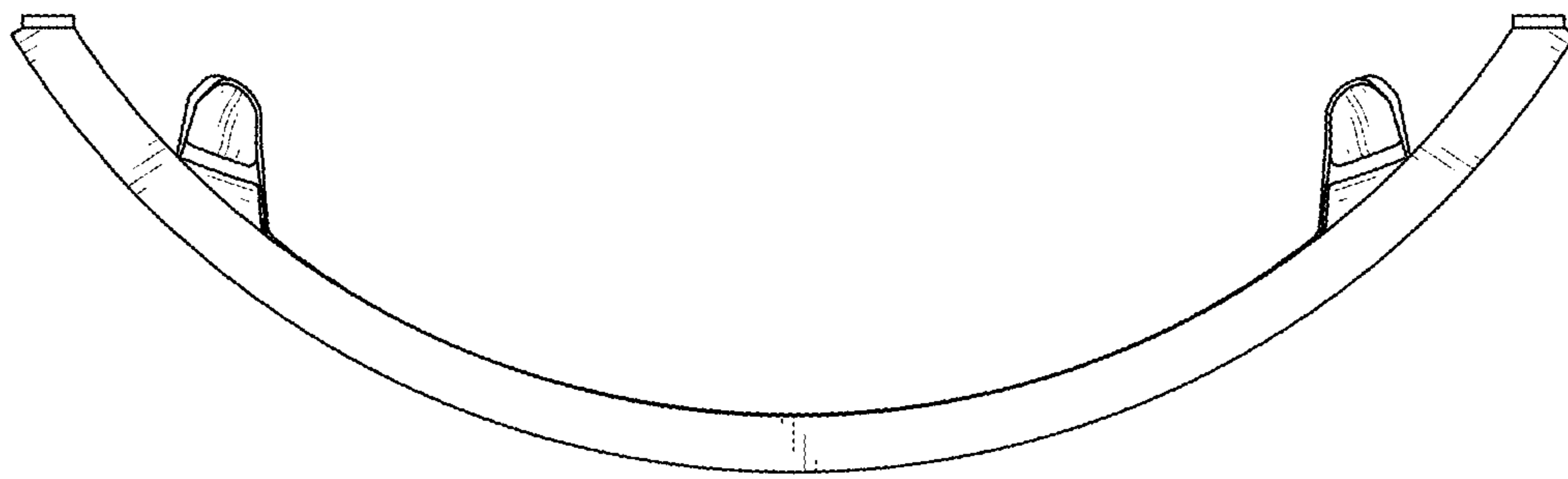


FIG. 6

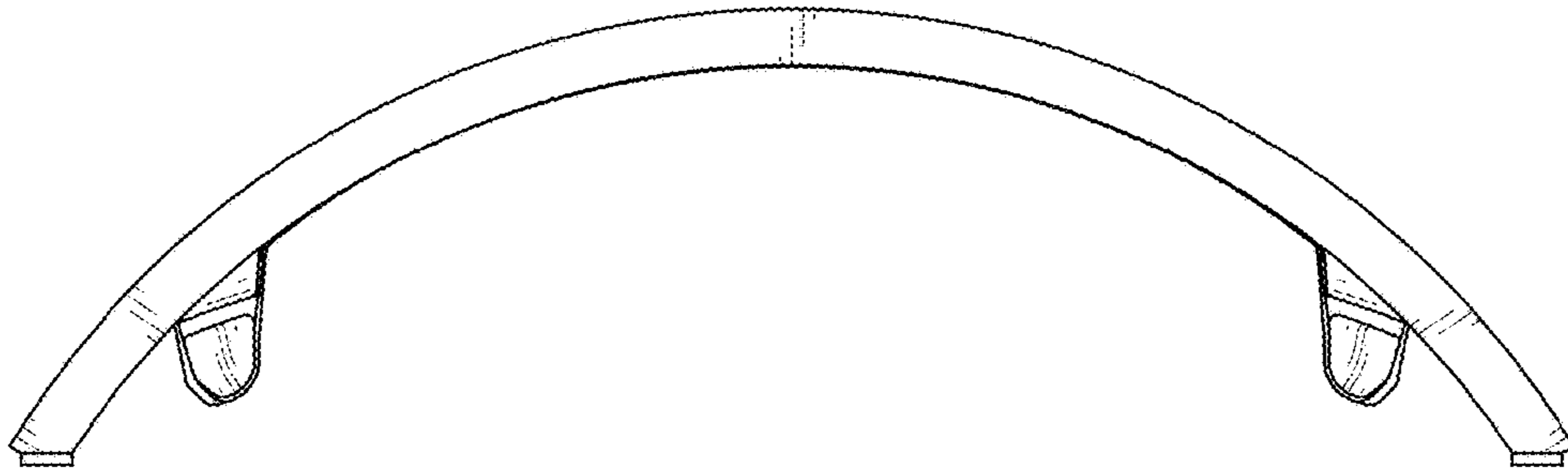


FIG. 7