



US00D831662S

(12) **United States Design Patent**
Hong

(10) **Patent No.:** **US D831,662 S**
(45) **Date of Patent:** **** Oct. 23, 2018**

- (54) **LAPTOP RADIATOR**
- (71) Applicant: **Coolcold Technology (Shenzhen) Co., Ltd.**, Shenzhen, Guangdong (CN)
- (72) Inventor: **Songliang Hong**, Guangdong (CN)
- (73) Assignee: **Coolcold Technology (Shen Zhen) Co., Ltd.**, Shenzhen (CN)

D637,599 S *	5/2011	Liao	D14/447
D678,298 S *	3/2013	Burridge	D14/447
D688,253 S *	8/2013	Cho	D14/447
D688,671 S *	8/2013	Avganim	D14/447
D692,438 S *	10/2013	Chang	D14/447
D695,748 S *	12/2013	Morris	D14/447
D699,245 S *	2/2014	Lee	D14/447
D703,675 S *	4/2014	Jensen	D14/447
D715,804 S *	10/2014	Frenzel	D14/447
D765,646 S *	9/2016	Deng	D12/415
D784,352 S *	4/2017	Burgess	D14/447

(**) Term: **15 Years**

* cited by examiner

(21) Appl. No.: **29/607,184**

Primary Examiner — Angela J Lee

(22) Filed: **Jun. 11, 2017**

(74) *Attorney, Agent, or Firm* — ScienBiziP, P.C.

(51) **LOC (11) Cl.** **08-07**

(57) **CLAIM**

(52) **U.S. Cl.**
USPC **D14/447**

The ornamental design for a laptop radiator, as shown and described.

(58) **Field of Classification Search**
USPC D14/447, 432, 434, 439, 440, 451, 452, D14/457, 239; D8/363, 373, 380; D6/406.3, 406.4, 406.5, 406.6; D12/415
CPC A47B 21/04; A47B 2097/006; A47B 2097/005; A47B 2023/049; A45C 2011/002; A45C 2011/003; F16M 2200/00; F16M 13/00

DESCRIPTION

See application file for complete search history.

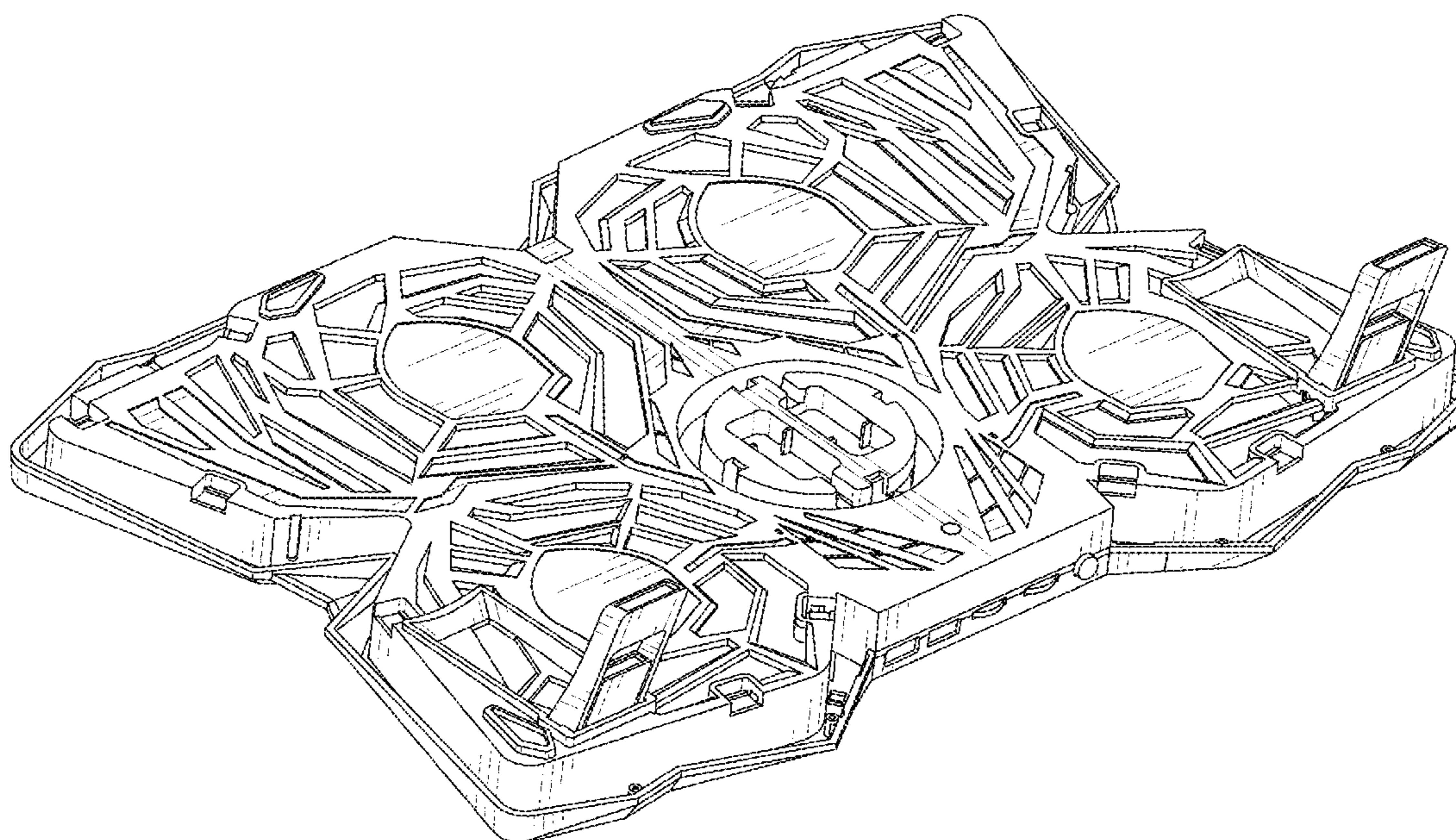
FIG. 1 is a first perspective view of a laptop radiator showing my new design;
FIG. 2 is a second perspective view thereof;
FIG. 3 is a third perspective view thereof;
FIG. 4 is a front elevational view thereof;
FIG. 5 is a rear elevational view thereof;
FIG. 6 is a left side view thereof;
FIG. 7 is a right side view thereof;
FIG. 8 is a top plan view thereof;
FIG. 9 is a bottom plan view thereof; and,
FIG. 10 is a perspective view showing the laptop radiator in a use state.

(56) **References Cited**

U.S. PATENT DOCUMENTS

D626,129 S *	10/2010	Lutz	D14/447
RE42,054 E *	1/2011	Park	D14/447

1 Claim, 10 Drawing Sheets



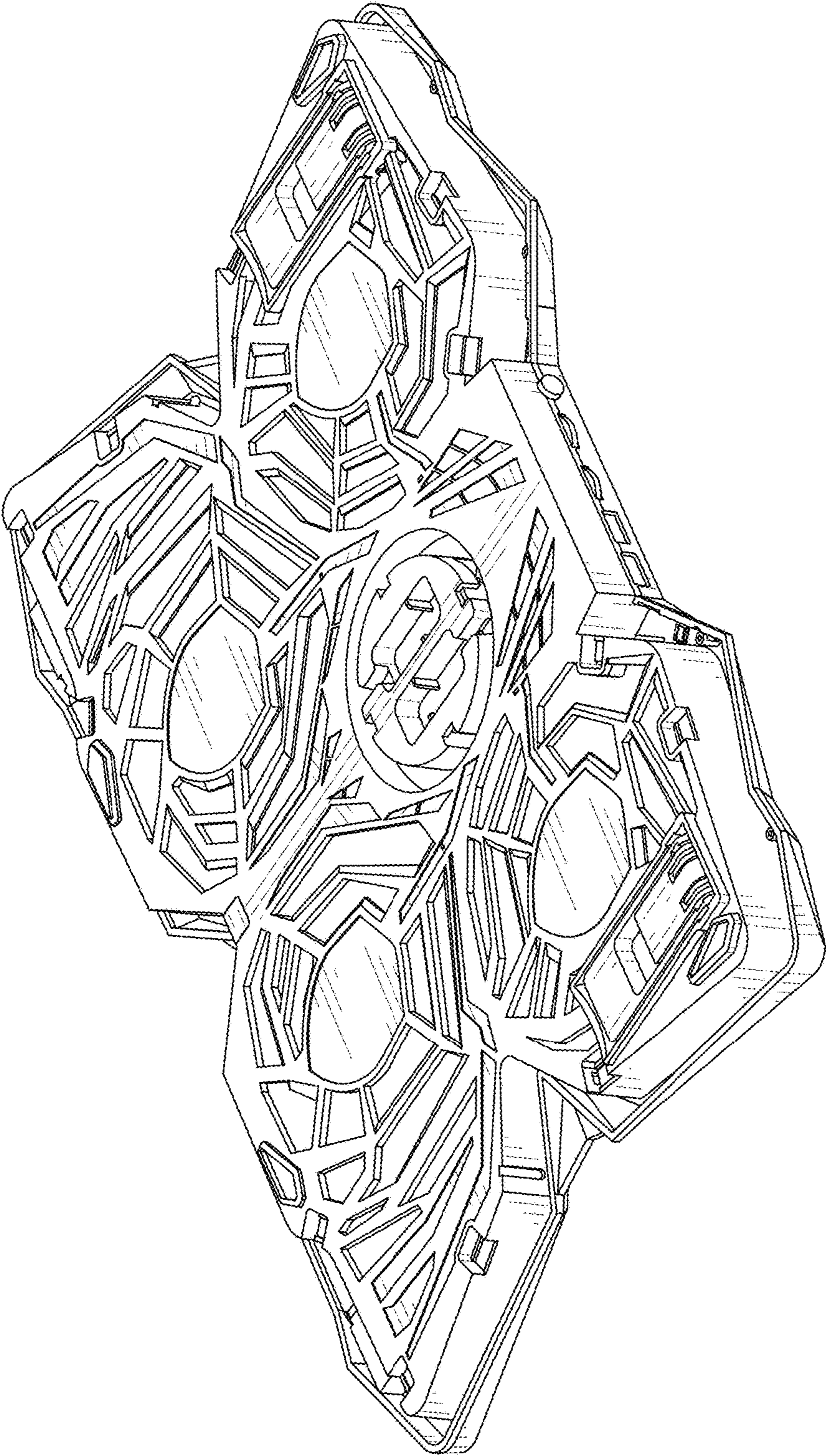


Fig. 1

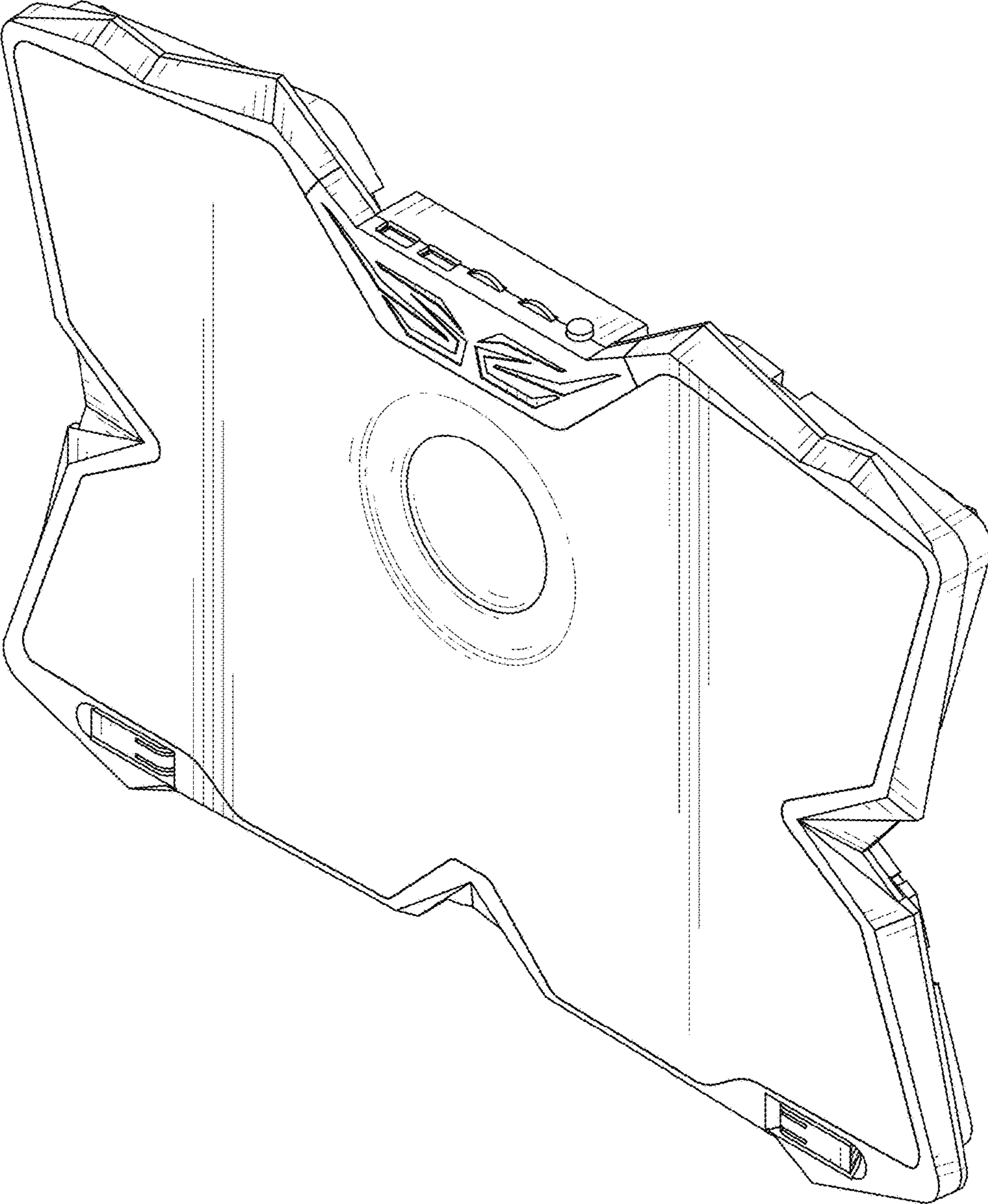


Fig. 2

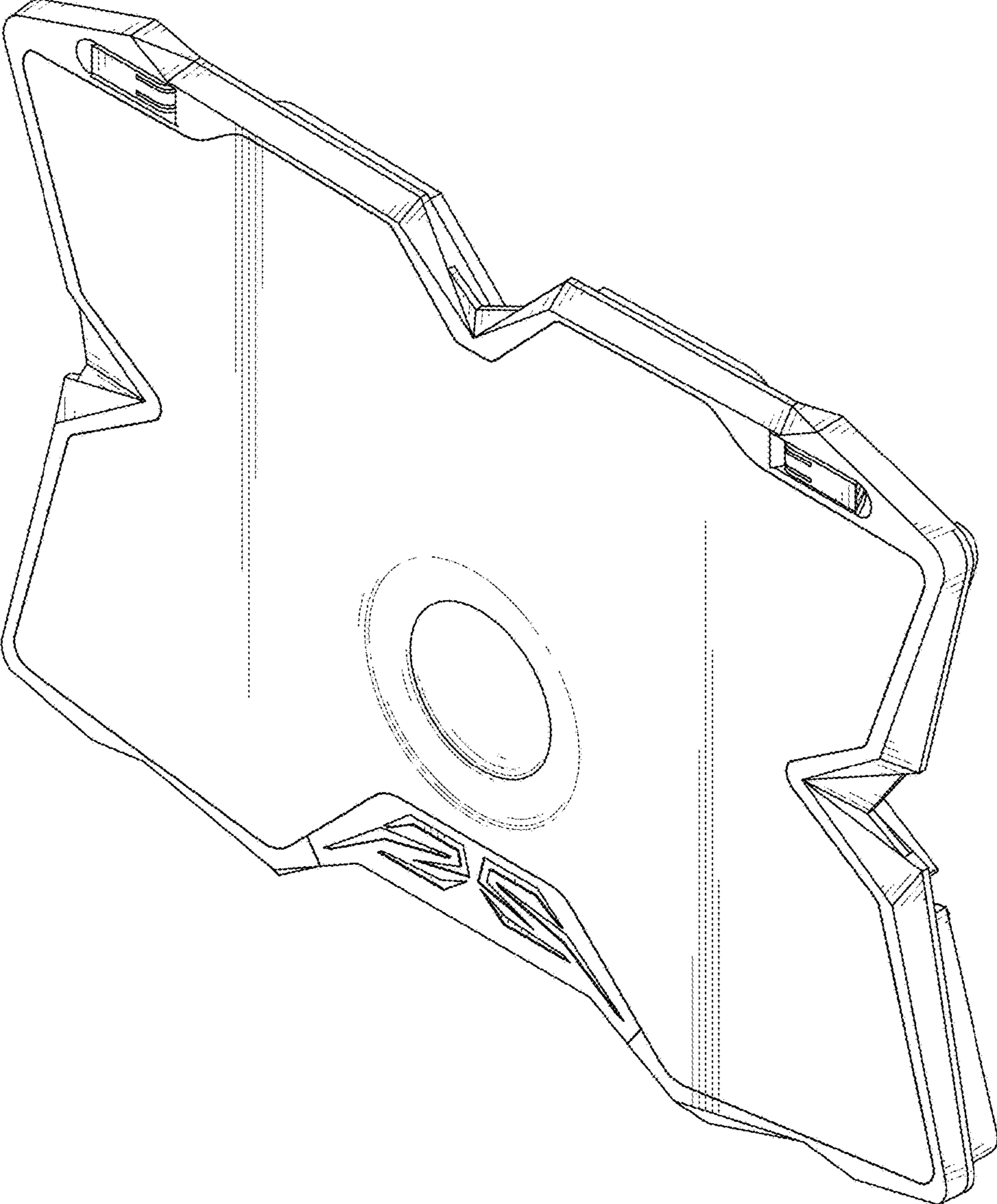


Fig. 3

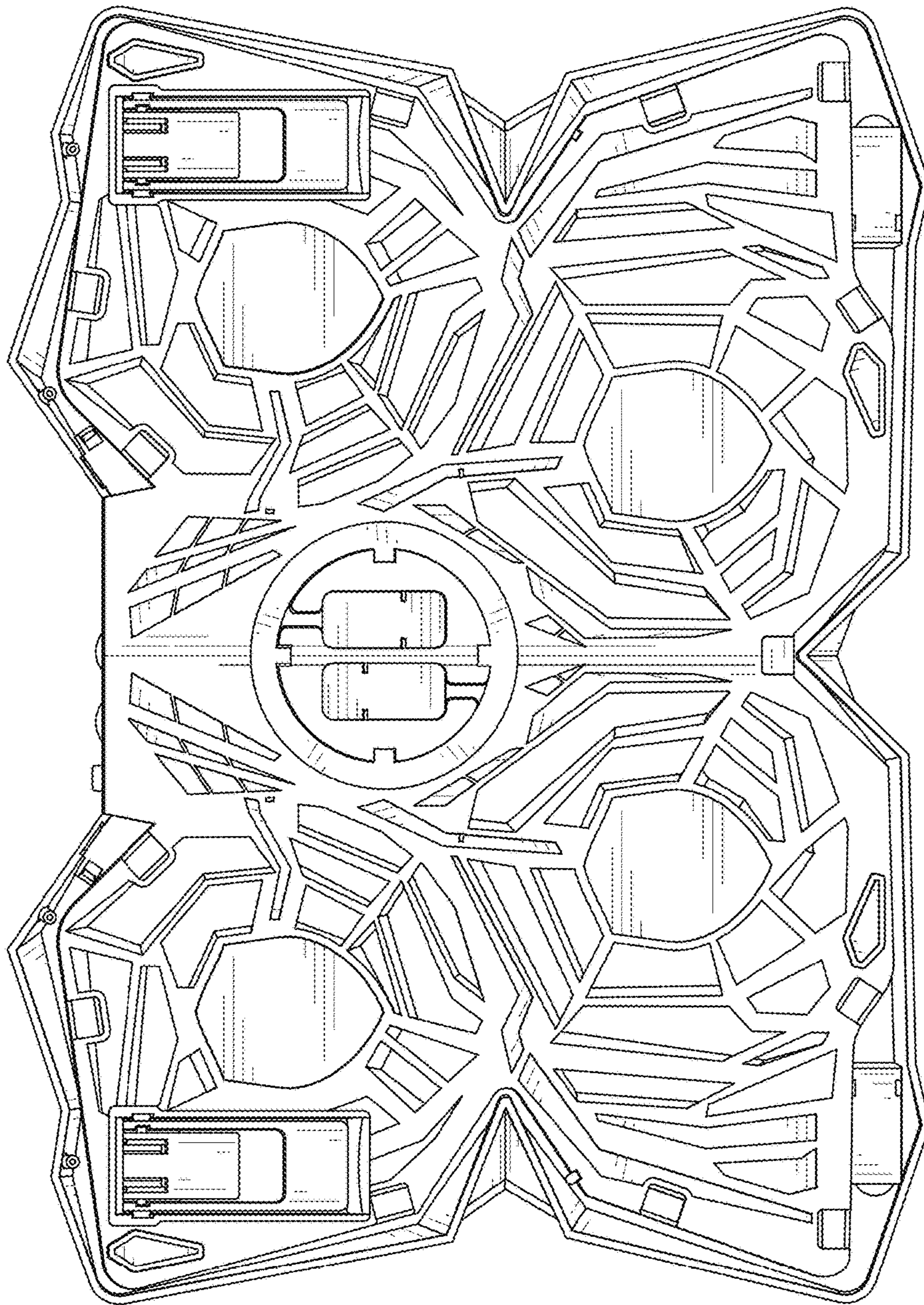


Fig. 4

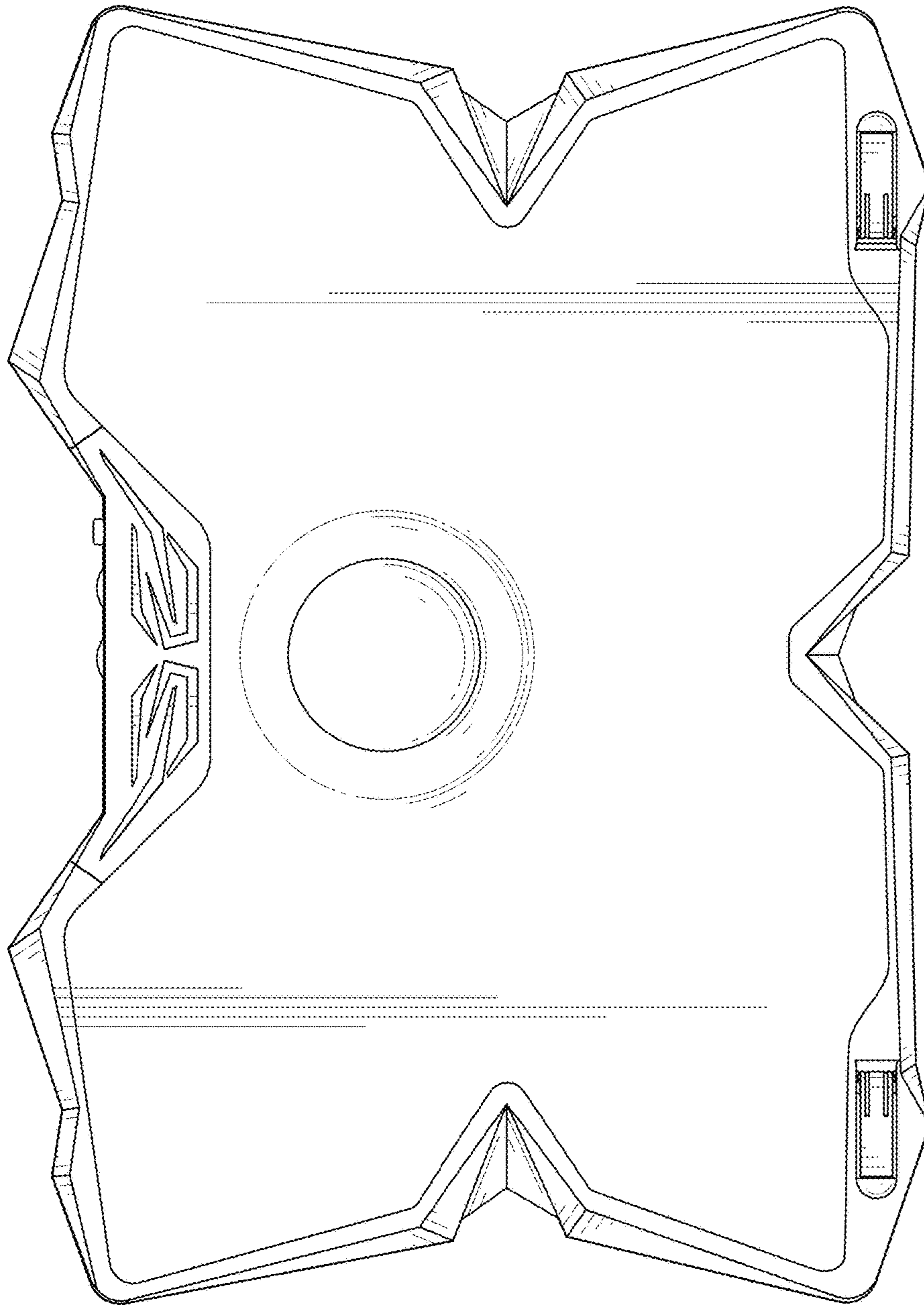


Fig. 5

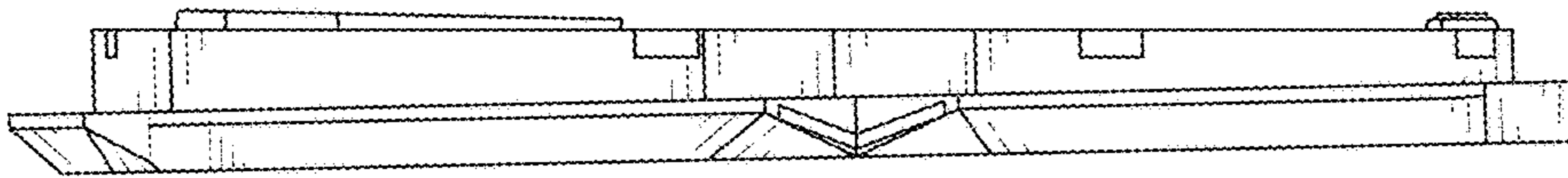


Fig. 6

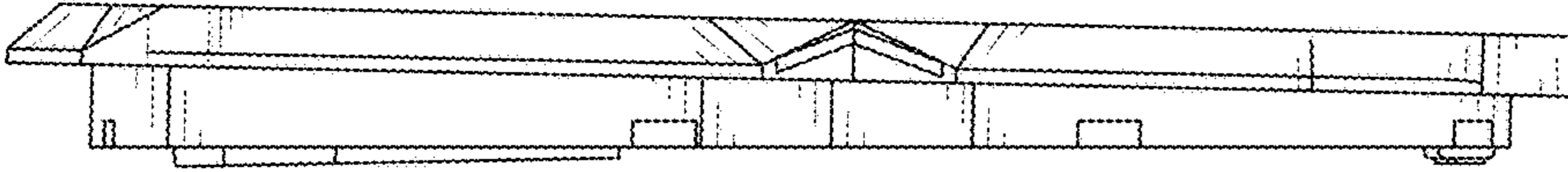


Fig. 7

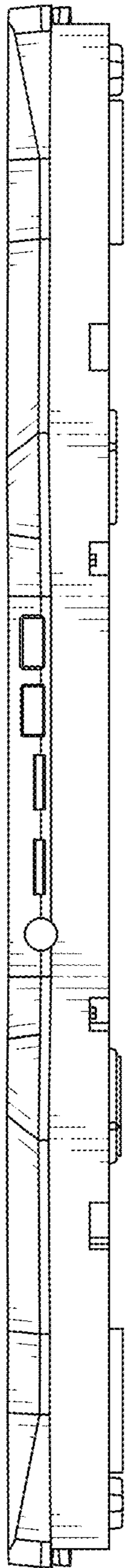


Fig. 8

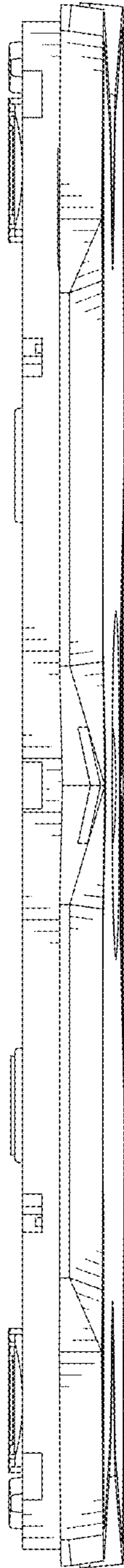


Fig. 9

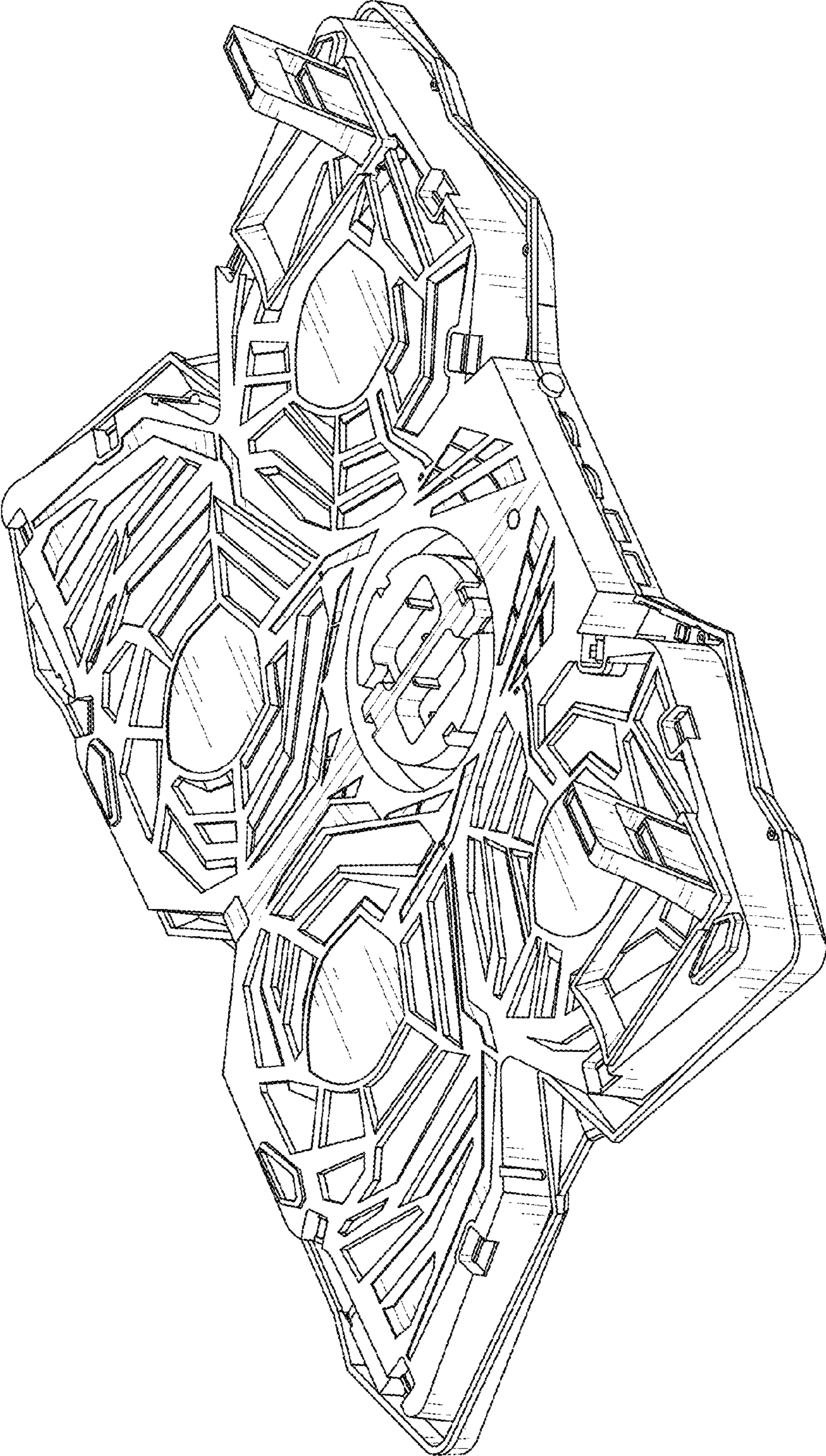


Fig. 10