



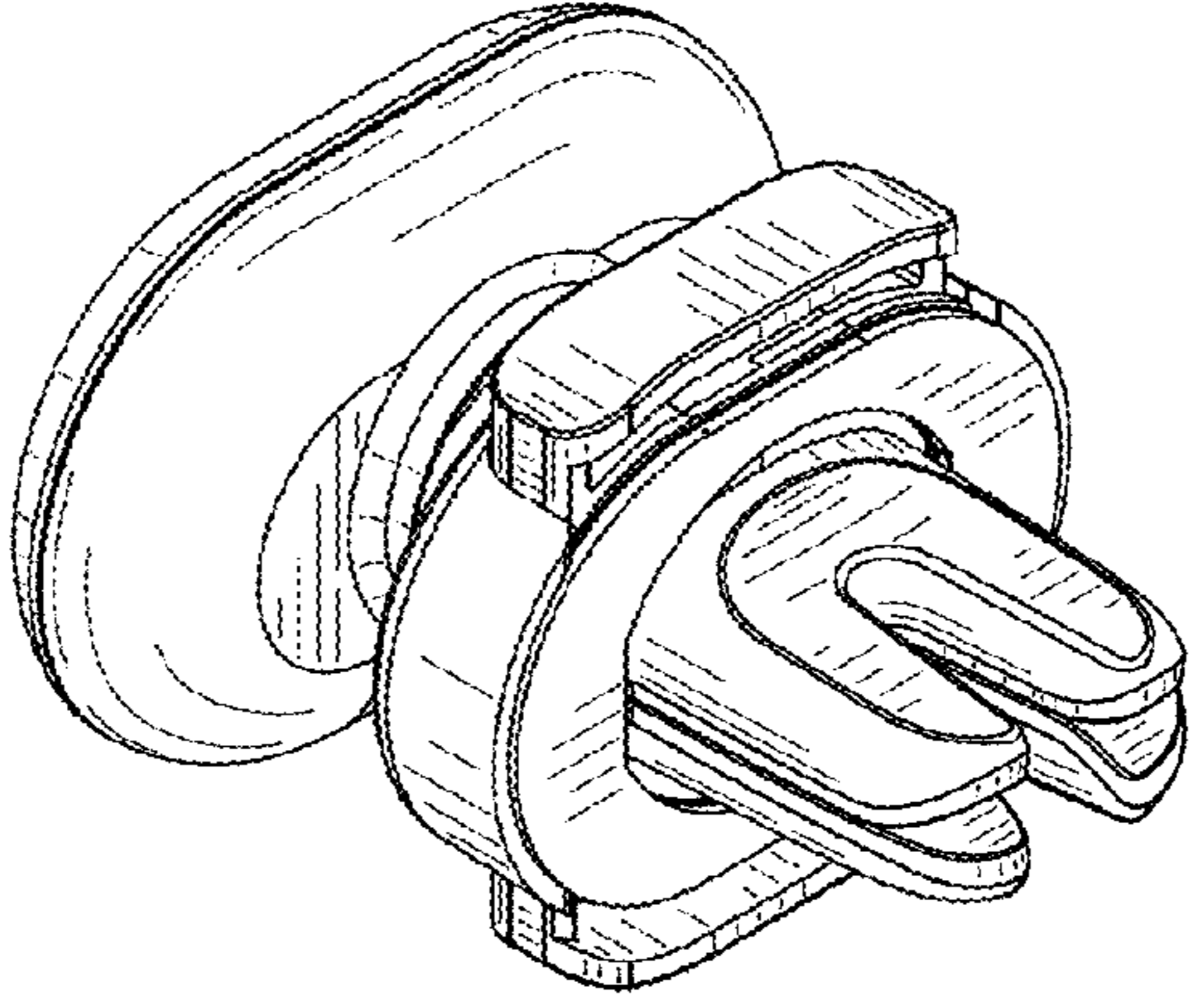
US00D831661S

(12) **United States Design Patent** (10) **Patent No.:** **US D831,661 S**
Yao et al. (45) **Date of Patent:** **** Oct. 23, 2018**

(54) **DASHBOARD VENT MOUNT FOR AN ELECTRONIC DEVICE**
(71) Applicant: **Kenu, Inc.**, San Francisco, CA (US)
(72) Inventors: **David E. Yao**, San Francisco, CA (US); **Leonard John Duran**, Mill Valley, CA (US); **Gregory D. Caneer**, Oakland, CA (US); **Kenneth Y. Minn**, San Francisco, CA (US)
(73) Assignee: **KENU, INC.**, San Francisco, CA (US)
(**) Term: **15 Years**
(21) Appl. No.: **29/607,126**
(22) Filed: **Jun. 9, 2017**
(51) **LOC (11) Cl.** **08-07**
(52) **U.S. Cl.**
USPC **D14/447**
(58) **Field of Classification Search**
USPC D14/447, 432, 434, 439, 440, 451, 452, D14/457, 239; D8/363, 373, 380; D6/406.3, 406.4, 406.5, 406.6; D12/415
CPC A47B 21/04; A47B 2097/006; A47B 2097/005; A47B 2023/049; A45C 2011/002; A45C 2011/003; F16M 2200/00; F16M 13/00
See application file for complete search history.

6,988,907 B2 1/2006 Chang
D521,990 S 5/2006 Richter
D522,843 S 6/2006 Richter
7,061,386 B2 6/2006 Seresini
7,080,812 B2 7/2006 Wadsworth
7,140,553 B2 11/2006 Zobebe
D538,912 S 3/2007 Kaplan
7,272,984 B2 9/2007 Fan
7,284,737 B2 10/2007 Kane
D566,590 S 4/2008 Stevens et al.
D589,962 S 4/2009 Maruyama et al.
7,537,190 B2 5/2009 Fan
D611,478 S 3/2010 Richardson et al.
D614,613 S 4/2010 Kim et al.
D626,541 S 11/2010 Kim et al.
D630,222 S 1/2011 Lin
D633,040 S 2/2011 Le et al.
D643,407 S 8/2011 Behringer et al.
D645,033 S 9/2011 Quong et al.
D655,692 S 3/2012 Silverman et al.
D656,931 S 4/2012 Wikel
D656,940 S 4/2012 McClelland et al.
D657,356 S 4/2012 Wikel
D657,364 S 4/2012 Norman
D663,726 S 7/2012 Gourley
D663,735 S 7/2012 Musselman
D664,147 S 7/2012 Zhao et al.
D670,295 S 11/2012 Prescott et al.
D671,950 S 12/2012 Richter
D689,041 S 9/2013 Hampf
D690,707 S 10/2013 Minn et al.
D692,897 S 11/2013 Luijben
8,727,192 B2 5/2014 Lai
8,757,461 B2 6/2014 Zanetti
D708,603 S 7/2014 Kim et al.
D709,074 S 7/2014 Tsui et al.
D713,398 S 9/2014 Alesi et al.
D715,790 S 10/2014 Conomos et al.
D715,791 S 10/2014 Yu
8,857,687 B1 10/2014 An
D716,788 S 11/2014 Volkan
D717,289 S 11/2014 Takabatake
D718,298 S 11/2014 Aspinall et al.
D720,759 S 1/2015 Deng et al.
D723,311 S 3/2015 Jiang et al.
D724,072 S 3/2015 Jiang et al.
D726,175 S 4/2015 Tsai et al.
D733,548 S 7/2015 Brown et al.
D735,112 S 7/2015 Deng et al.
9,080,714 B2 7/2015 Minn
D750,612 S 3/2016 Chen
D750,633 S 3/2016 Minn et al.
D756,366 S * 5/2016 Floersch D14/447

(56) **References Cited**
U.S. PATENT DOCUMENTS
2,580,625 A 1/1952 Waltz
4,797,916 A 1/1989 Kojima
5,109,411 A 4/1992 O'Connell
5,305,381 A 4/1994 Wang
5,338,252 A 8/1994 Bowler et al.
5,979,724 A 11/1999 Loewenthal et al.
6,103,201 A 8/2000 Green
6,149,116 A 11/2000 Won
6,366,672 B1 4/2002 Tsay
6,441,872 B1 8/2002 Ho
D482,039 S 11/2003 Chen et al.
D485,340 S 1/2004 Wu



D765,549	S *	9/2016	Khodapanah	D12/114
D765,646	S	9/2016	Deng et al.		
D765,651	S	9/2016	Liu et al.		
D778,714	S	2/2017	McSweyn et al.		
9,573,531	B2	2/2017	Zhang		
9,586,530	B2	3/2017	Kim		
D783,592	S *	4/2017	Ju	D14/253
D783,593	S *	4/2017	Chen	D14/253
D789,920	S *	6/2017	Zhang	D14/253
9,718,412	B2	8/2017	Minn et al.		
D796,421	S *	9/2017	Huang	D12/415
D802,404	S *	11/2017	Turksu	D8/373
2005/0127538	A1	6/2005	Fabrega		
2005/0236541	A1	10/2005	Chang		
2007/0001025	A1	1/2007	Caserta et al.		
2007/0284500	A1	12/2007	Fan		
2008/0190978	A1	8/2008	Brassard		
2008/0224007	A1	9/2008	Mo		
2009/0060473	A1	3/2009	Kohte et al.		
2010/0019059	A1	1/2010	Bulsink et al.		
2011/0019992	A1	1/2011	Orf		
2011/0143583	A1	6/2011	Zilmer et al.		
2011/0148352	A1	6/2011	Wang et al.		
2011/0278885	A1	11/2011	Procter et al.		
2012/0205503	A1	8/2012	Kobal		
2013/0037590	A1	2/2013	Yoon		
2014/0097306	A1	4/2014	Hale et al.		
2014/0103087	A1	4/2014	Fan		
2014/0138419	A1	5/2014	Minn et al.		
2015/0072555	A1	3/2015	Riddiford et al.		
2016/0082893	A1	3/2016	Ormsbee et al.		
2016/0318455	A1	11/2016	Zhang		
2016/0347257	A1	12/2016	Buchanan		
2016/0373152	A1	12/2016	Schmidt		
2017/0035172	A1	2/2017	Kim		

FOREIGN PATENT DOCUMENTS

CN	301670390	9/2011
CN	202907016 U	4/2013
DE	202004007340 U1	7/2004
DE	202008010276 U1	11/2008
EP	1031446 A1	8/2000
EP	1902736 A1	3/2008
EP	2835957	4/2015
JP	2003054304 A	2/2003
JP	3151546 U	6/2009
JP	3164223 U	11/2010
JP	D1420793	7/2011
JP	D1420793	8/2011
JP	D1453628	10/2012
JP	D1487823	1/2014
KR	10-2000-0044438	7/2000
KR	20-0429528	10/2006
KR	10-2012-0125933	11/2012
TW	D103373	3/2005
TW	D149647	10/2012
TW	D178656	10/2016
WO	WO 9604153	2/1996
WO	WO2004091673 A1	10/2004
WO	D066974-001	9/2005
WO	2010002291 A1	1/2010

OTHER PUBLICATIONS

Arkon Resources Inc., SMH429-SBH Universal Air Vent Swivel Mount with Adjustable Cradle, (downloaded from <https://www.amazon.com/Arkon-Holder-iPhone-Galaxy-Retail/dp/B003XAF4YQ> on Apr. 11, 2017, 9 pages).
 Web posting, entitled “[Arkon Air Vent Smartphone Car Mount] Review of SM429-SBH Air Vent Universal Smartphone Car Mount” (Publication Date: Nov. 21, 2010, <http://cafe.naver.com/bjphone/1391925>).
 Web posting entitled, “Car Mount for Samsung Galaxy S4 Smartphone [Air Vent Smartphone Car Mount]” (Publication Date: Apr. 29, 2013, <http://blog.naver.com/eeleet/130167208063>).

China Quality Suppliers; “Black or White Car Air Vent Mount Holder/Adjustable Universal Mobile Phone Stand Holder;” <http://www.hebeimanjikefrp.com/sale-2307306-black-or-white-car-air-vent-mount-holder-adjustable-universal-mobile-phone-stand-holder.html>; Copyright 2014-2015.
 Exogear; “ExoMount Touch,” <http://www.exogear.com/products-exomount-touch-one-touch-car-mount-holder.html>; copyright 2013 Exogear.
 Earl Automation, Pearl Magnetic Car Phone Mount—Vent or Dashboard Cell Phone Holder for Car or Truck, Publication Date: May, 2017 {earliest/exact publication date unknown}, <https://www.amazon.com/Pearl-Magnetic-Car-Phone-Mount/dp/B01M0DNYIV>.
 Elongdi, Elongdi Air Vent Magnetic Car Mount 360 Degree Rotating Car Phone Mount Holder Compatible with Phone 6 6S Plus 5 Galaxy S7 S6 edge S5 Sony HTC LG, Publication Date: May 2017 {earliest/exact publication date unknown}, https://www.amazon.com/gp/product/B01LXY2N6R/ref=oh_aui_search_detailpage?ie=UTF8&psc=1.
 Mengo, Magnetic Air Vent Car Mount—Aluma Magnetic Phone Holder—Universally Compatible For iPhone Samsung HTC LG Phones—Strong Magnetic Vent Mount, Publication Date: May 2017 {earliest/exact publication date unknown}, https://www.amazon.com/gp/product/B011FP01UA/ref=oh_aui_search_detailpage?ie=UTF8&psc=1.
 iOttie, iOttie iTap Magnetic Air Vent Premium Car Mount Holder Cradle for iPhone X 818s 7 7 Plus 6s Plus 6s 6 SE Samsung Galaxy S8 Plus S8 Edge S7 S6 Note 8 5, Publication Date: May 2017 {earliest/exact publication date unknown}, https://www.amazon.com/gp/product/B00Q3G8LPQ/ref=oh_aui_search_detailpage?ie=UTF8&psc=1.
 Aukey, Aukey Car Mount Air Vent Magnetic Cell Phone Holder for iPhone 7/6S/Plus/Samsung/Mini Tablets and other Android, Windows Smartphones, Publication Date: May 2017 {earliest/exact publication date unknown}, https://www.amazon.com/gp/product/b01B2R3QNW/ref=oh_aui_search_detailpage?ie=UTF8&psc=1.
 Scosche, Scosche MAGVM2 MagicMount Vent Mount for Mobile Devices, Publication Date: May 2017 {earliest/exact publication date unknown}, https://www.amazon.com/gp/product/B00PMOC172/ref=oh_aui_search_detailpage?ie=UTF8&psc=1.
 Spinido, Spinido Magnetic Car Vent Mount Holder for iPhone 7/6s Plus/iPad mini, Publication Date: May 2017 {earliest/exact publication date unknown}, https://www.amazon.com/gp/product/B01E58LHWC/ref=oh_aui_search_detailpage?ie=UTF8&psc=1.
 Techmate, Dashboard Mount TechMatte MagGrip Dashboard and Windshield Magnetic Universal Car Mount Holder for Smartphones including iPhone X, 8, 7 ,6, 6S, Galaxy S8, S7, S7 Edge—Black, Publication Date: May 2017 {earliest/exact publication date unknown}, https://www.amazon.com/Dashboard-TechMatte-Windshield-Universal-Smartphones/dp/B01780KZMW/ref=sr_1_5?s=wireless&ie=UTF8&qid=1507681675&sr=1-5&keywords=suction+cup+phone+mount.
 Scosche, Scosche MAGWSM2 MagicMount Suction Mount for Mobile Devices, Publication Date: May 2017 {earliest/exact publication date unknown}, https://www.amazon.com/Scosche-MAGWSM2-MagicMount-Suction-Devices/dp/B00R2K4LCY/ref=sr_1_18?s=wireless&ie=UTF8&qid=1507681675&sr=1-18&keywords=suction+cup+phone+mount.
 iOttie, Car Mount, iOttie Easy Vidw Universal Car Mount Holder for iPhone 7 6s 5s 5c, Samsung Galaxy S6 Edge Plus S6 S5 S4—Retail Packaging—Black, Publication Date: May 2017 {earliest/exact publication date unknown}, https://www.amazon.com/iOttie-Universal-Holder-iPhone-Samsung/dp/B00B78MT44/ref=sr_1_15?s=wireless&ie=UTF8&qid=1507682778&sr=1-15&keywords=iottie.
 U.S. Appl. No. 29/607,125, filed Jun. 9, 2017.
 U.S. Appl. No. 29/617,062, filed Sep. 11, 2017.
 U.S. Appl. No. 29/617,064, filed Sep. 11, 2017.
 U.S. Appl. No. 29/625,650, filed Nov. 10, 2017.
 U.S. Appl. No. 29/625,651, filed Nov. 10, 2017.
 U.S. Appl. No. 29/638,301, filed Feb. 6, 2018.
 U.S. Appl. No. 29/638,303, filed Feb. 26, 2018.

Notice of Allowance dated Jun. 11, 2018, in Taiwanese Patent Application No. 106306847.

* cited by examiner

Primary Examiner — Angela J Lee
(74) *Attorney, Agent, or Firm* — Vierra Magen Marcus
LLP

(57) **CLAIM**

The ornamental design for a dashboard vent mount for an electronic device, as shown and described.

DESCRIPTION

FIG. 1 is a rear perspective view of a dashboard vent mount for an electronic device with its vent attachment jaws in a closed position;

FIG. 2 is a front perspective view of the dashboard vent mount for an electronic device with its vent attachment jaws in the closed position;

FIG. 3 is a front elevational view of the dashboard vent mount for an electronic device with its vent attachment jaws in the closed position;

FIG. 4 is a rear elevational view of the dashboard vent mount for an electronic device with its vent attachment jaws in the closed position;

FIG. 5 is a top plan view of the dashboard vent mount for an electronic device with its vent attachment jaws in the closed position;

FIG. 6 is a bottom plan view of the dashboard vent mount for an electronic device with its vent attachment jaws in the closed position;

FIG. 7 is a right elevational view of the dashboard vent mount for an electronic device with its vent attachment jaws in the closed position;

FIG. 8 is a left elevational view of the dashboard vent mount for an electronic device with its vent attachment jaws in the closed position;

FIG. 9 is a rear perspective view of the dashboard vent mount for an electronic device with its vent attachment jaws in an open position;

FIG. 10 is a front perspective view of the dashboard vent mount for an electronic device with its vent attachment jaws in the open position;

FIG. 11 is a rear elevational view of the dashboard vent mount for an electronic device with its vent attachment jaws in the open position; and,

FIG. 12 is a right elevational view of the dashboard vent mount for an electronic device with its vent attachment jaws in the open position, with the left elevation view of the dashboard vent mount for an electronic device with its vent attachment jaws in the open position being a mirror image of the right elevation view in FIG. 12.

1 Claim, 2 Drawing Sheets

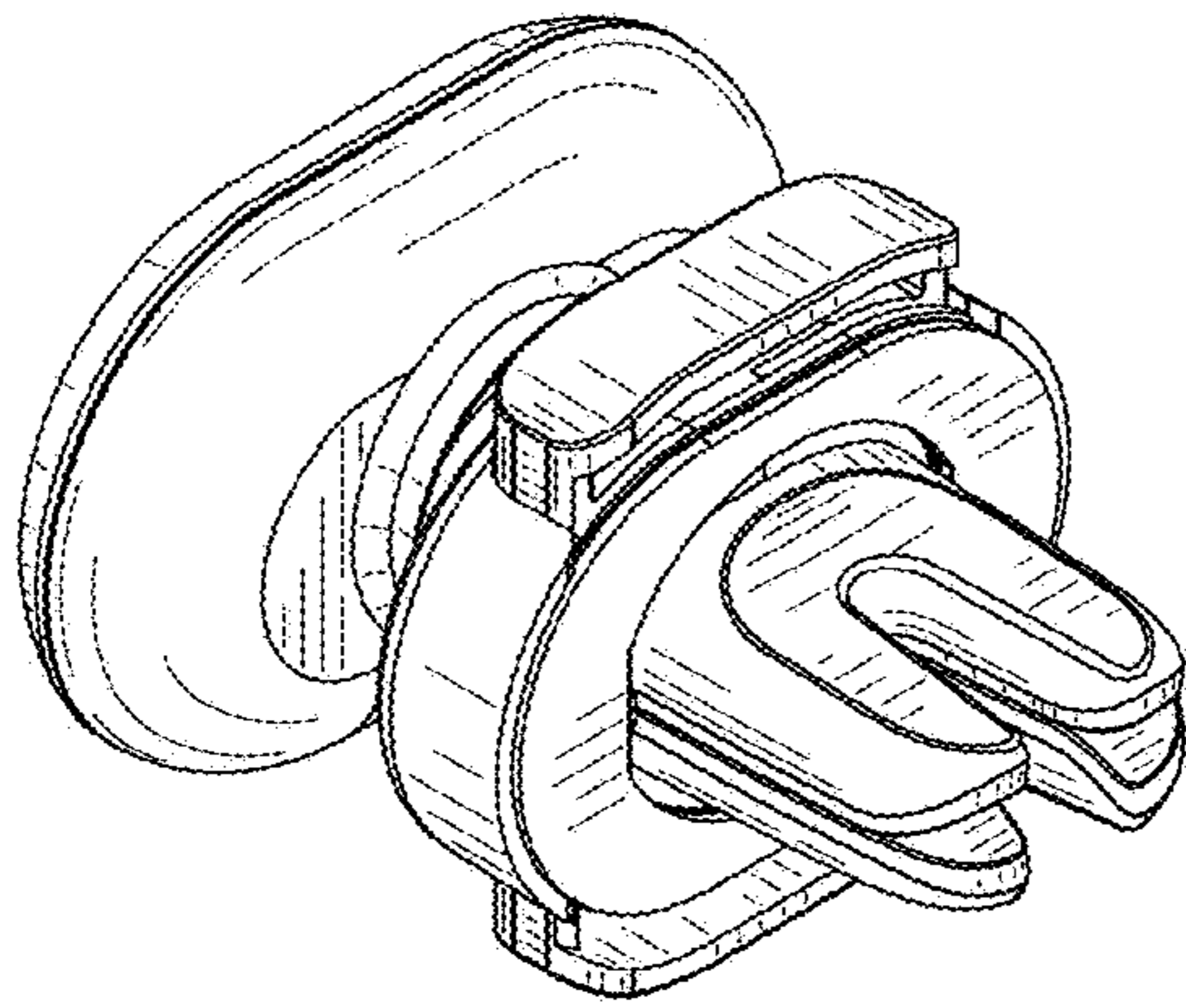


FIG. 1

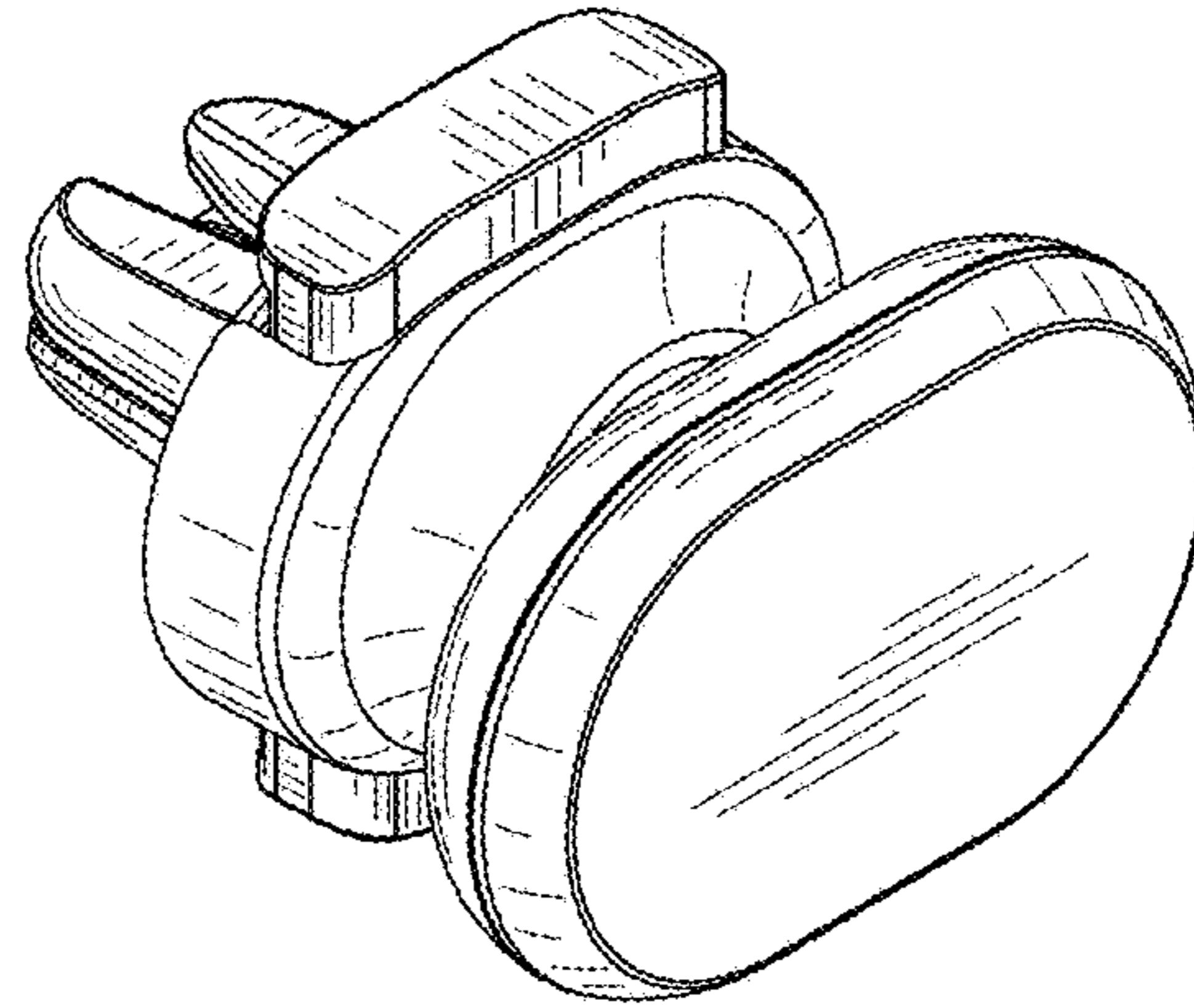


FIG. 2

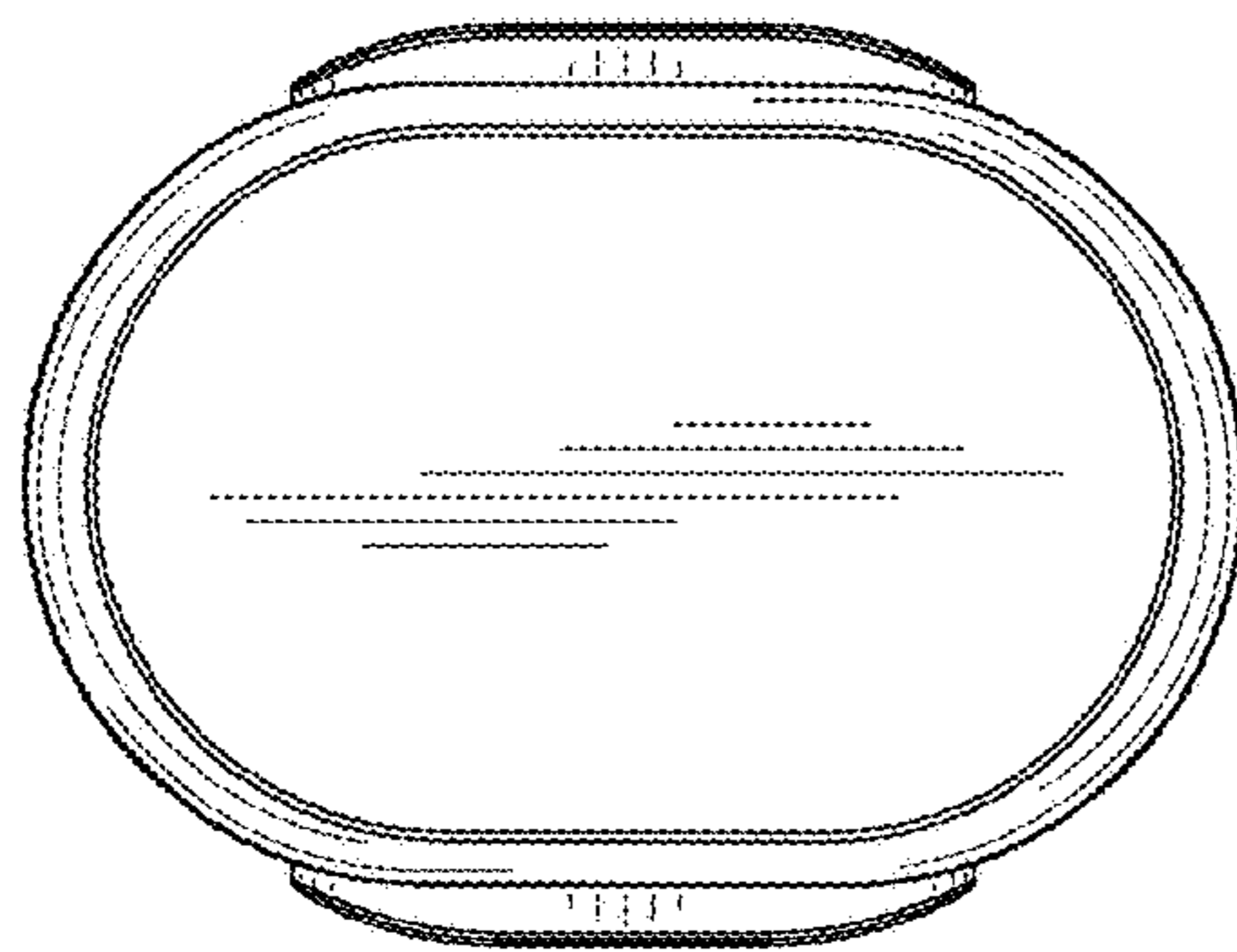


FIG. 3

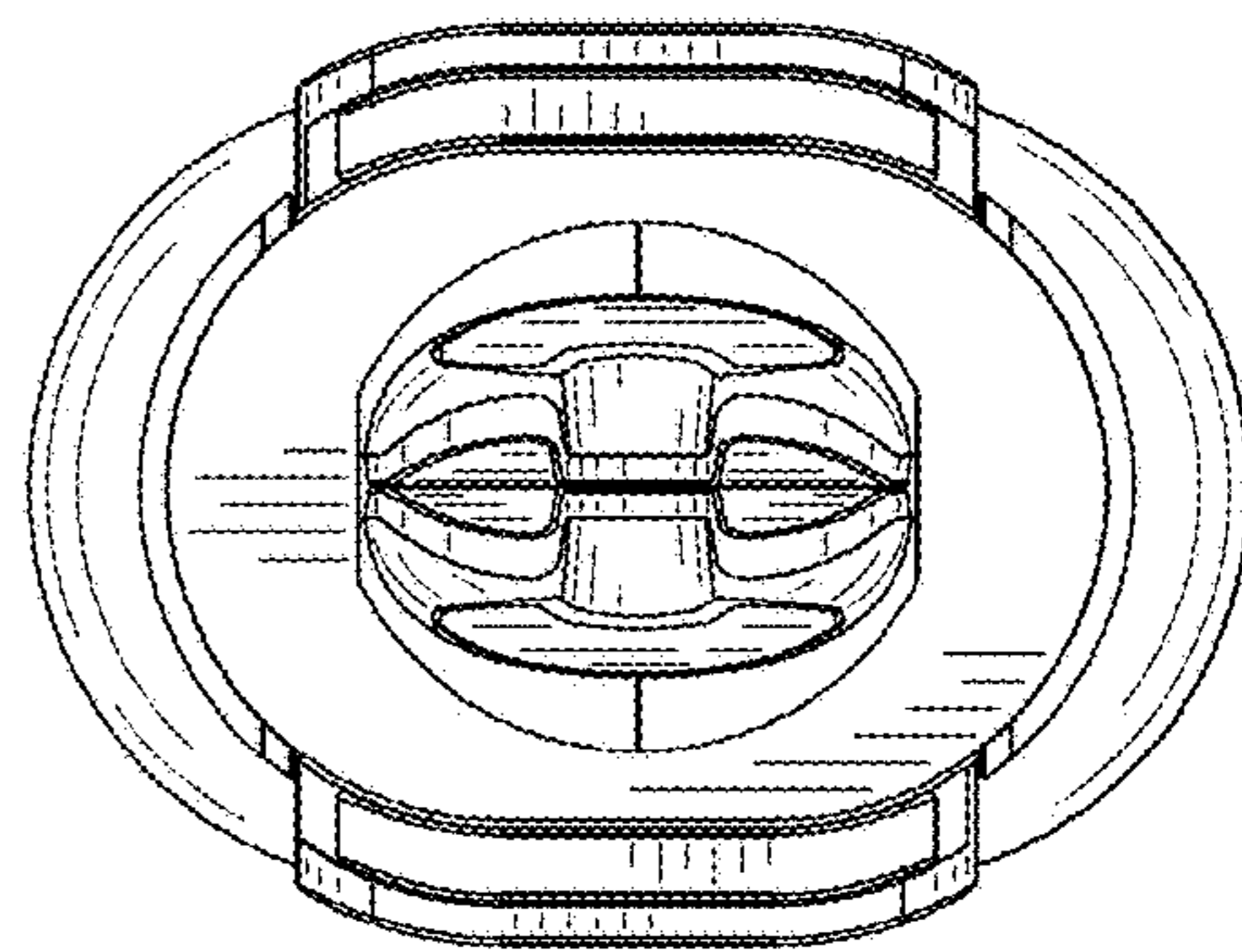


FIG. 4

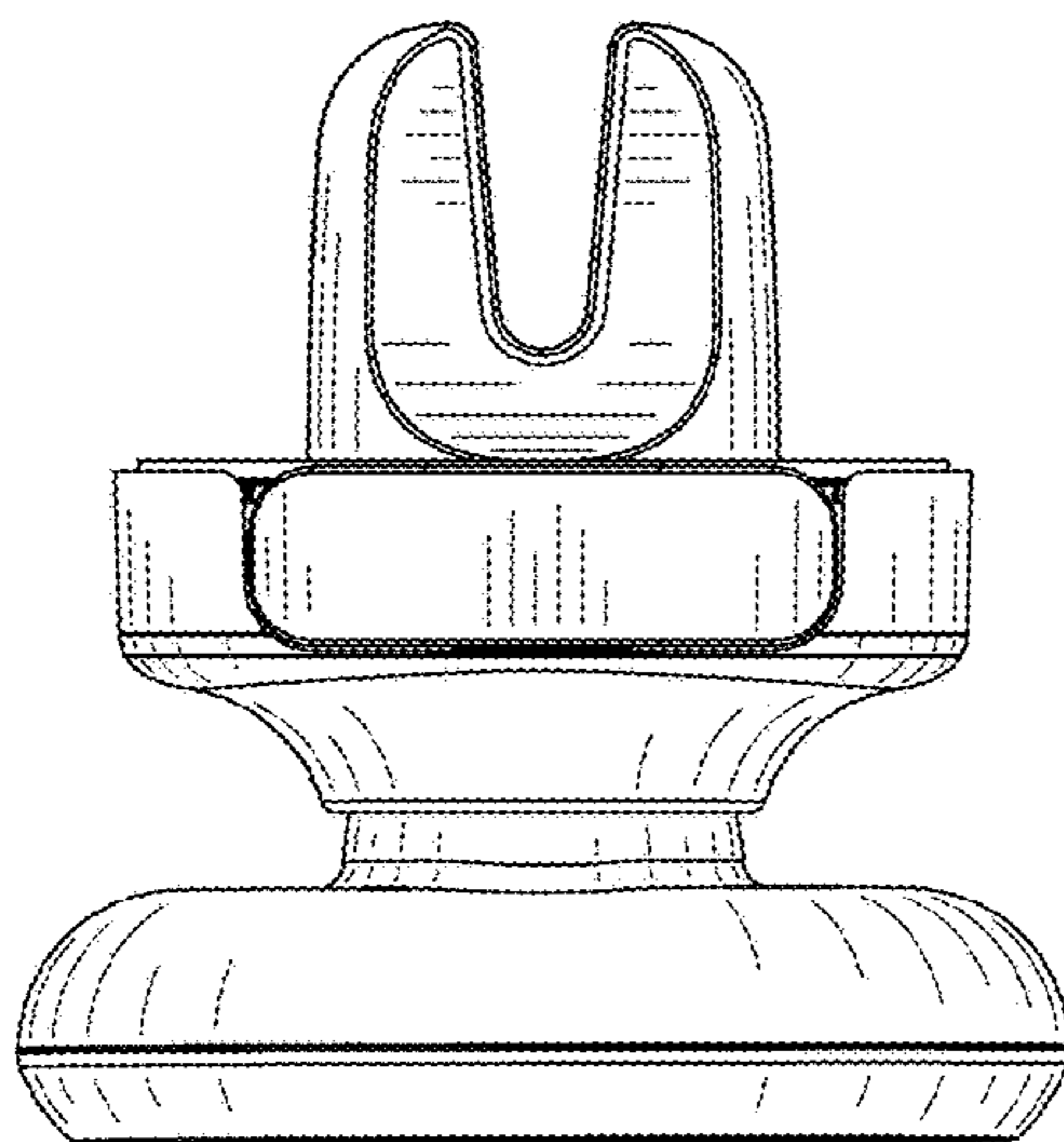


FIG. 5

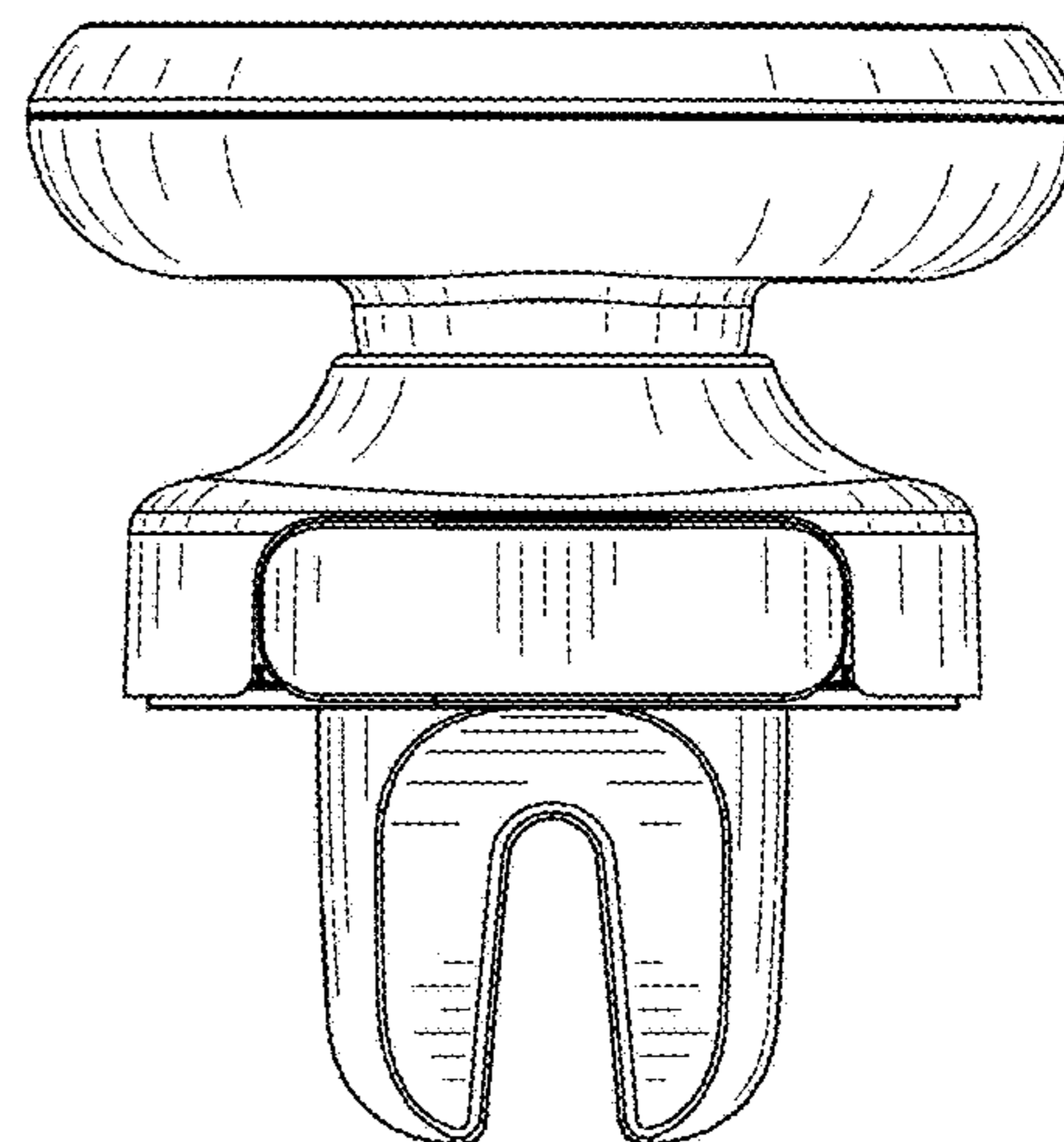


FIG. 6

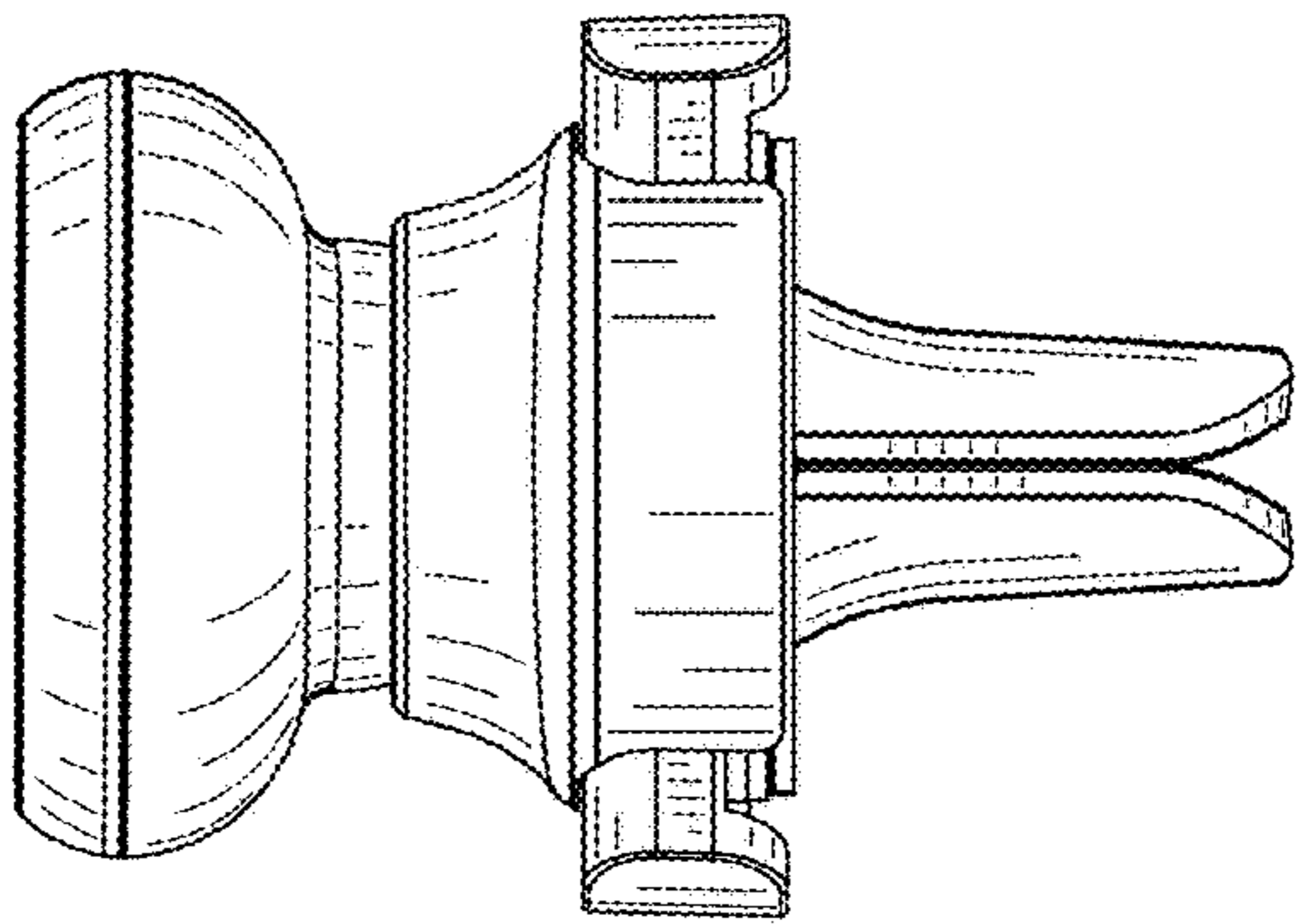


FIG. 7

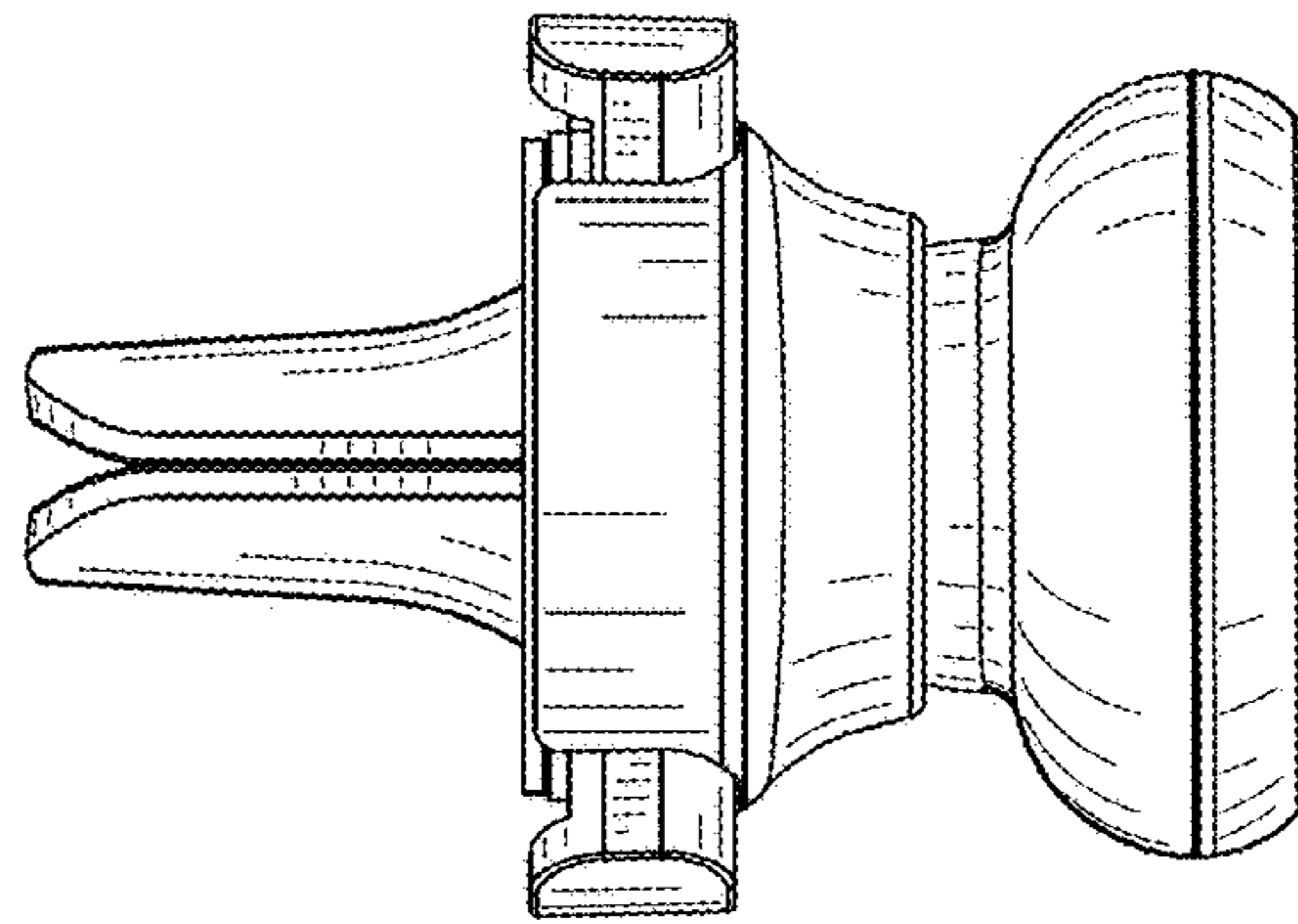


FIG. 8

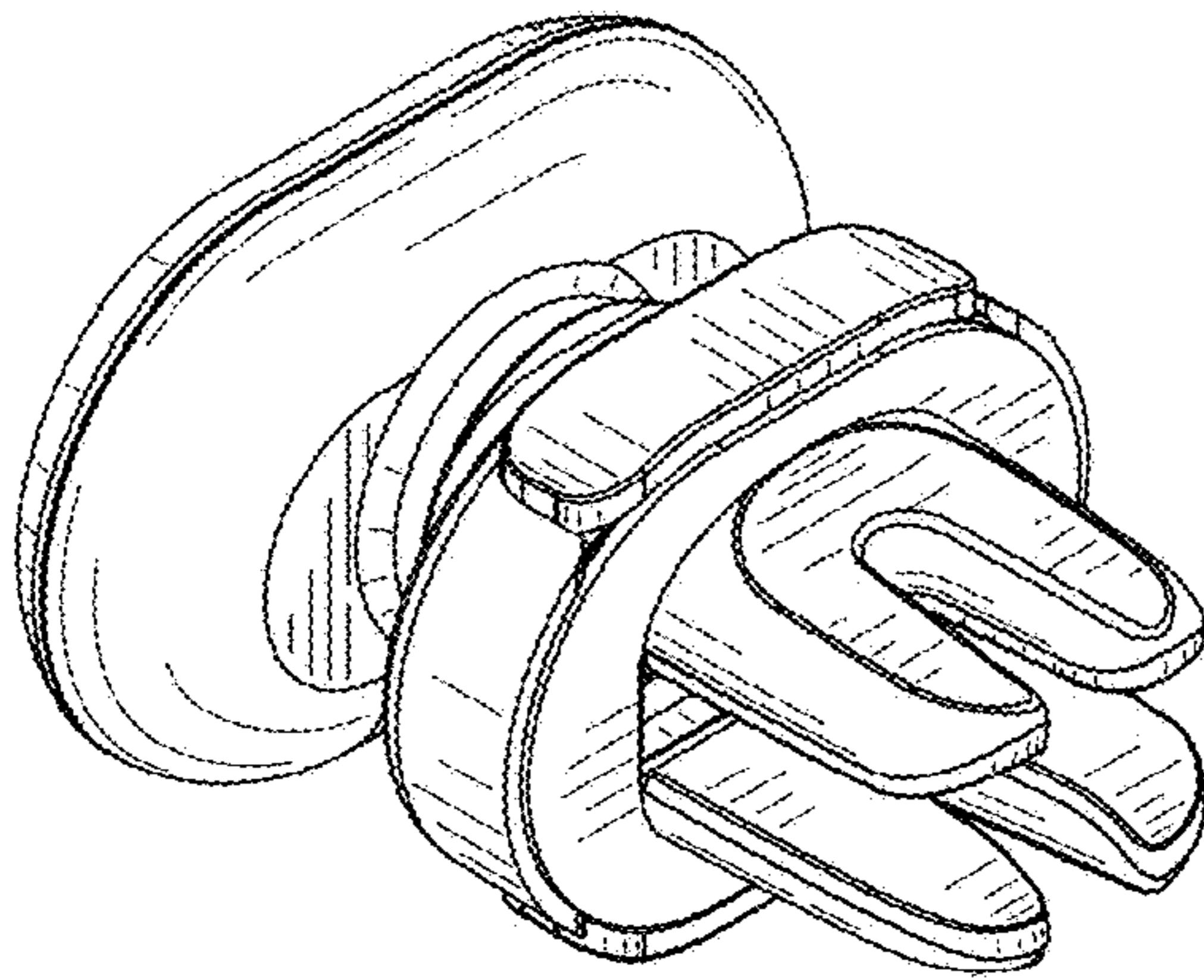


FIG. 9

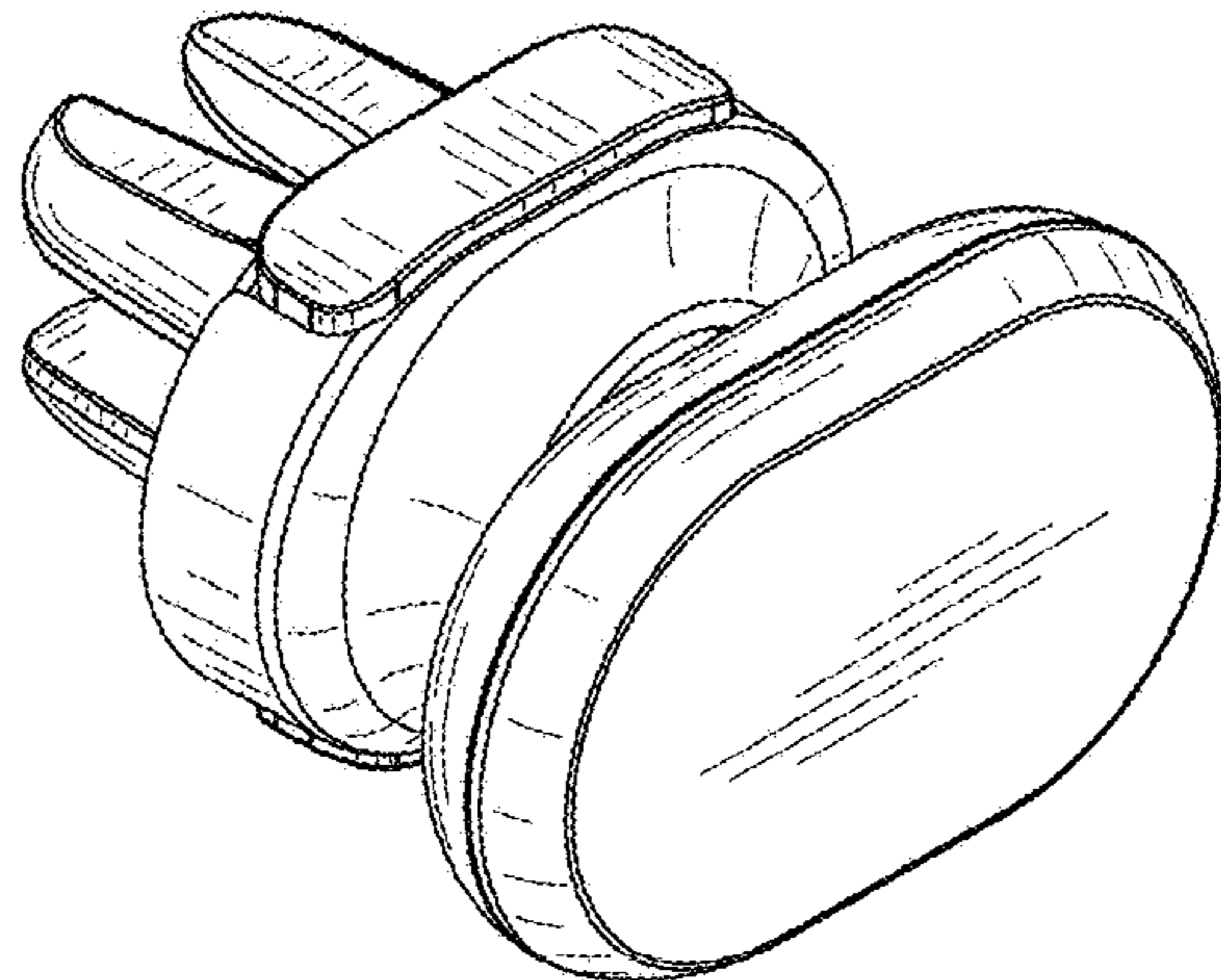


FIG. 10

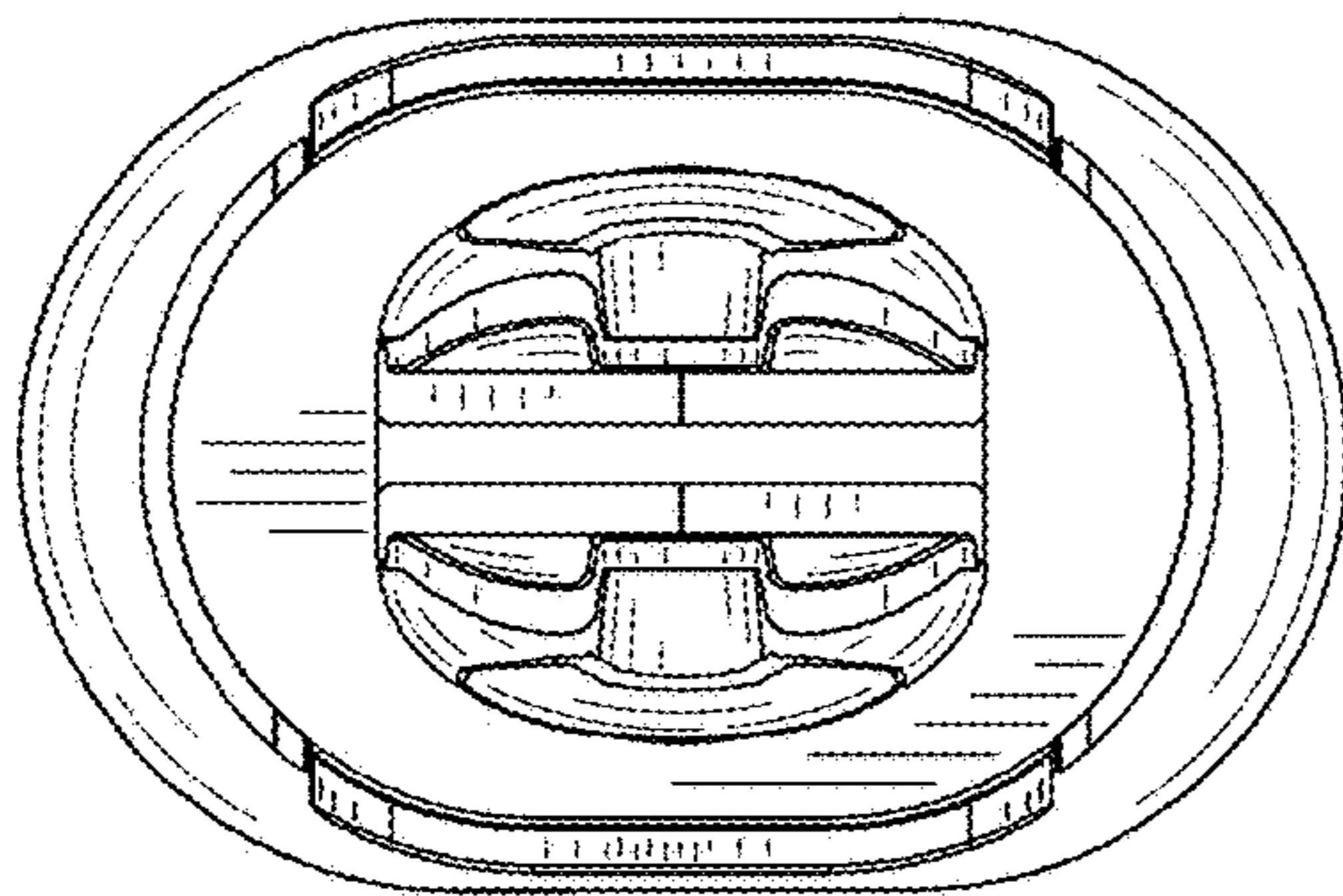


FIG. 11

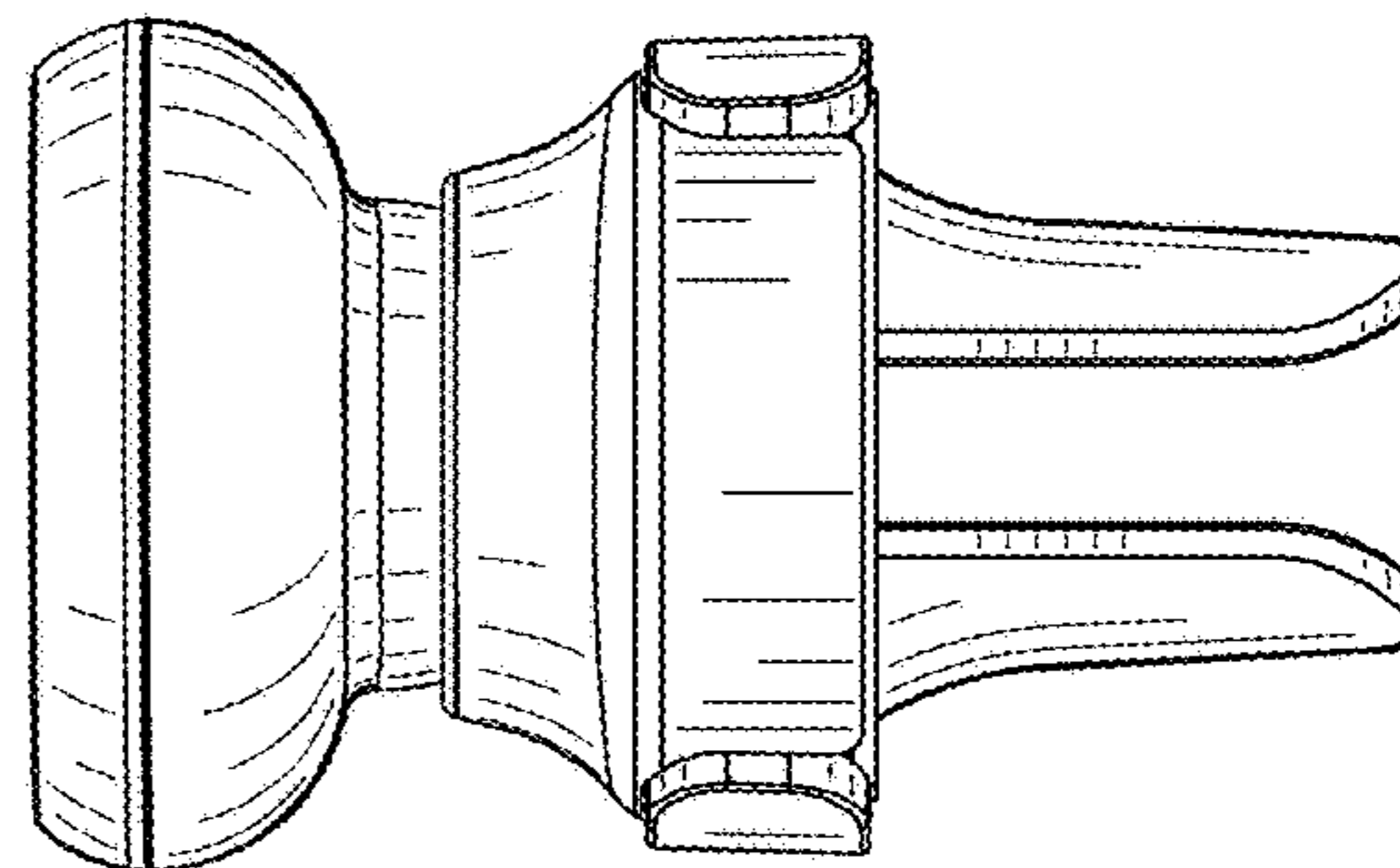


FIG. 12