



US00D831656S

(12) **United States Design Patent** (10) **Patent No.:** **US D831,656 S**  
**Jhun et al.** (45) **Date of Patent:** **\*\* Oct. 23, 2018**

(54) **CABLE MODULE FOR A TABLETOP MEDIA CENTER**

(71) Applicant: **Crestron Electronics, Inc.**, Rockleigh, NJ (US)

(72) Inventors: **Sae Jhun**, Bayside, NY (US); **Wendy Feldstein**, Old Tappan, NJ (US)

(73) Assignee: **Crestron Electronics, Inc.**, Rockleigh, NJ (US)

(\*\*) Term: **15 Years**

(21) Appl. No.: **29/628,649**

(22) Filed: **Dec. 6, 2017**

(51) **LOC (11) Cl.** ..... **14-02**

(52) **U.S. Cl.**  
USPC ..... **D14/432**

(58) **Field of Classification Search**  
USPC ..... D14/300-302, 308-313, 314, 348,  
D14/353-355, 432, 439-446, 240;  
(Continued)

(56) **References Cited**

U.S. PATENT DOCUMENTS

6,046,405 A 4/2000 Obermann et al.  
6,162,071 A 12/2000 Muller  
(Continued)

OTHER PUBLICATIONS

AMX, HydraPort: Connecting the Perfect Meeting, Product Guide, Rev. V3 (Sep. 8, 2014), available at [pdf.archiexpo.com/pdf/amx/hydraport/51274-177337.html](http://pdf.archiexpo.com/pdf/amx/hydraport/51274-177337.html).

(Continued)

Primary Examiner — Austin Murphy

(74) *Attorney, Agent, or Firm* — Crestron Electronics, Inc

(57) **CLAIM**

The ornamental design for a cable module for a tabletop media center, as shown and described.

**DESCRIPTION**

FIG. 1 shows a front perspective view of a cable module for a tabletop media center with the cable extended out of the cable module.

FIG. 2 shows a front perspective view of a cable module for a tabletop media center with the cable located within the cable module.

FIG. 3 shows a top perspective view of a cable module for a tabletop media center with the cable extended out of the cable module.

FIG. 4 shows a top view of the cable module for a tabletop media center with the cable extended out of the cable module.

FIG. 5 shows a front view of the cable module for a tabletop media center with the cable extended out of the cable module.

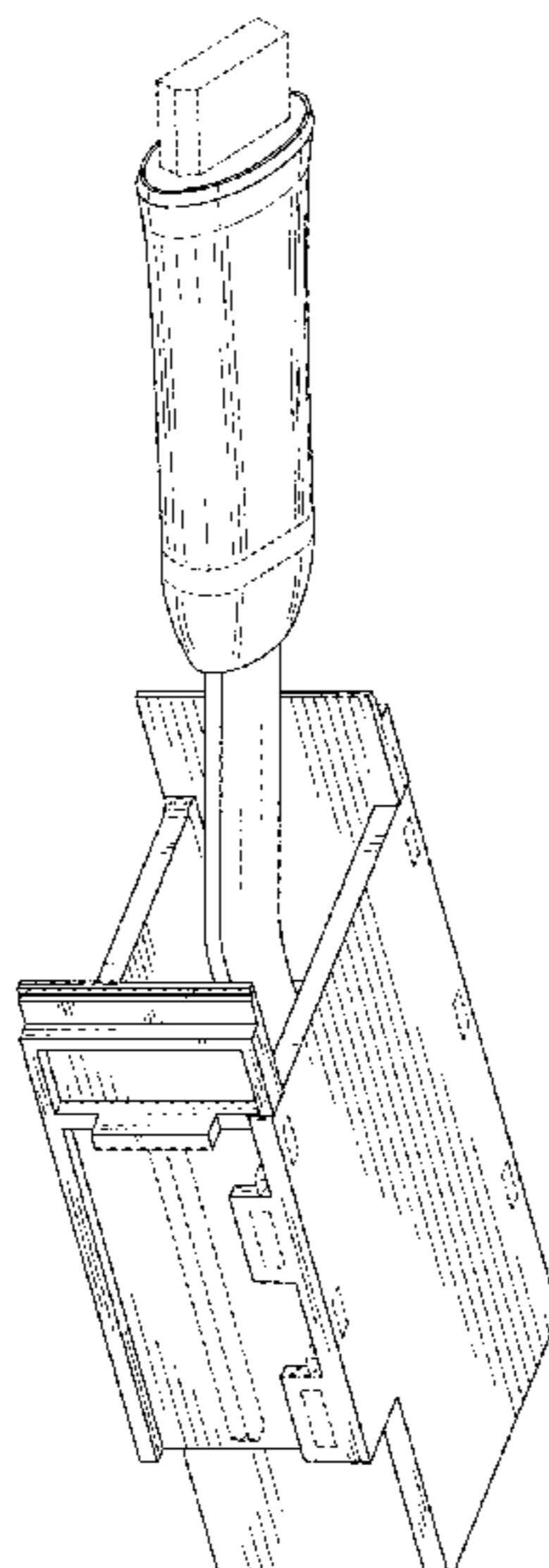
FIG. 6 shows a rear view of the cable module for a tabletop media center with the cable extended out of the cable module.

FIG. 7 shows a left side view of the cable module for a tabletop media center with the cable extended out of the cable module.

FIG. 8 shows a right side view of the cable module for a tabletop media center with the cable extended out of the cable module; and,

FIG. 9 shows a top perspective view of the cable module for a tabletop media center with the cable further extended out of the cable module, wherein the tabletop media center shown in broken lines illustrates the environment in which the design is used and forms no part of the claimed design. The broken lines in the figures depict portions of the cable module for a tabletop media center that form no part of the claimed design.

**1 Claim, 9 Drawing Sheets**



(58) **Field of Classification Search**

USPC ..... 361/679.02, 679.31, 679.5, 690, 694,  
361/679.23, 801, 802; 312/332.1, 334.1;  
D13/162; D10/50  
CPC ..... A45C 11/00; A45C 2011/003; B60R  
11/0241; B60R 11/0252; F16M 13/00;  
F16M 11/00

See application file for complete search history.

(56) **References Cited**

U.S. PATENT DOCUMENTS

D460,736	S	7/2002	Pincek et al.	
D465,201	S *	11/2002	Gershfeld	D13/139.4
D471,912	S *	3/2003	Camarota	D14/432
D473,525	S	4/2003	Pincek et al.	
6,802,577	B2	10/2004	Gershfeld	
6,942,501	B2	9/2005	Kissinger et al.	
D512,964	S	12/2005	Kissinger et al.	
D513,493	S *	1/2006	Feldstein	D13/139.4
D516,513	S	3/2006	Kissinger et al.	
D526,961	S *	8/2006	Kissinger	D13/139.4
D537,039	S	2/2007	Pincek	
D537,785	S *	3/2007	Pincek	D13/139.4
7,312,393	B2 *	12/2007	McCarthy	A47B 21/06 174/480
D569,863	S	5/2008	Feldstein et al.	
7,414,193	B1	8/2008	Le	
D586,814	S *	2/2009	Kramer	D14/432
7,541,539	B2	6/2009	Le	
7,667,145	B2	2/2010	Dinh et al.	
D626,542	S	11/2010	Libman et al.	
D628,097	S	11/2010	Libman et al.	
D628,098	S	11/2010	Libman et al.	
D628,099	S	11/2010	Libman et al.	
D638,314	S	5/2011	Libman et al.	
D638,315	S	5/2011	Libman et al.	
D639,680	S	6/2011	Libman et al.	
D639,681	S	6/2011	Rodriguez et al.	
D640,577	S	6/2011	Libman et al.	
D640,939	S	7/2011	Libman et al.	
D640,940	S	7/2011	Libman et al.	
7,989,710	B2	8/2011	Hansen et al.	
D657,315	S	4/2012	Feldstein et al.	
D662,501	S *	6/2012	Lohman	D14/432
D662,937	S *	7/2012	Lohman	D14/432
D664,050	S	7/2012	Rodriguez et al.	
D678,786	S	3/2013	Rodriguez et al.	
D685,373	S *	7/2013	Santos	D14/432
D686,992	S *	7/2013	Eisen	D13/133
8,943,978	B2	2/2015	Soper et al.	
D734,729	S	7/2015	Chaloupecky et al.	
D742,882	S *	11/2015	Takano	D14/432
D742,883	S *	11/2015	Akana	D14/432
D744,487	S *	12/2015	Takano	D14/432
9,257,776	B2	2/2016	Kramer	
D754,665	S *	4/2016	Zhang	D14/432
9,309,087	B2	4/2016	Laube et al.	
9,425,563	B2	8/2016	Laube et al.	
9,553,413	B2	1/2017	Laube et al.	
D783,623	S *	4/2017	Crisp	D14/432
9,680,262	B2	6/2017	Laube et al.	
9,706,833	B2	7/2017	Newhouse et al.	
2003/0070592	A1	4/2003	Grasse et al.	
2009/0165679	A1	7/2009	Bakker et al.	
2014/0265753	A1	9/2014	Gershfeld et al.	
2014/0374531	A1	12/2014	Laube et al.	
2017/0093097	A1	3/2017	Laube et al.	

OTHER PUBLICATIONS

Arthur Holm, Albiral Display Solutions SL, Catalog, EN2016-2017, available at [www.arthurholm.com/wp-content/uploads/2017/03/AH\\_Catalogue\\_2017.pdf](http://www.arthurholm.com/wp-content/uploads/2017/03/AH_Catalogue_2017.pdf).

Bachmann Electrical Engenering Ltd., Facility Solutions, System solutions for Office, conference and meeting rooms, Jun. 2016, available at [genproel-el.gr/data/documents/2017.pdf](http://genproel-el.gr/data/documents/2017.pdf).

Crestron, Crestron FlipTops, D4520-C\_201410, 2014, available at [www.crestron.com/downloads/pdf/product\\_brochures/crestron\\_fliptops\\_brochure.pdf](http://www.crestron.com/downloads/pdf/product_brochures/crestron_fliptops_brochure.pdf).

Extron, Cable Cubby 202, 2014, available at [www.extron.com/download/files/brochure/CC\\_202\\_Printable\\_A4.pdf](http://www.extron.com/download/files/brochure/CC_202_Printable_A4.pdf).

Extron, Cable Cubby 500, 2014, available at [www.extron.com/download/files/brochure/CC\\_500\\_Printable\\_A4.pdf](http://www.extron.com/download/files/brochure/CC_500_Printable_A4.pdf).

Extron, Cable Cubby 700, 2014, available at [www.extron.com/download/files/brochure/CC\\_700\\_Printable\\_A4.pdf](http://www.extron.com/download/files/brochure/CC_700_Printable_A4.pdf).

Extron, Cable Cubby 1200, 2014, available at [www.extron.com/download/files/brochure/CC\\_1200\\_Printable\\_letter\\_size.pdf](http://www.extron.com/download/files/brochure/CC_1200_Printable_letter_size.pdf).

Extron, Cable Cubby 1400, 2014, available at [www.extron.com/download/files/brochure/CC\\_1400\\_Printable\\_letter\\_size.pdf](http://www.extron.com/download/files/brochure/CC_1400_Printable_letter_size.pdf).

Extron, Cable Cubby Series 2, Mar. 2016, 68/2604-01, Rev. C, available at [www.extron.com/download/files/brochure/cable\\_cubby\\_series\\_2\\_verA4.pdf](http://www.extron.com/download/files/brochure/cable_cubby_series_2_verA4.pdf).

Extron Catalog, AAP—Architectural Adapter Plates, 2012 Product Catalog, available at [www.extron.com/download/files/general/aaps\\_12cat\\_en.pdf](http://www.extron.com/download/files/general/aaps_12cat_en.pdf).

FSR Inc., T6 Flex, LIT1434A, 2015, available at [fsrinc.com/documents/spec-sheet/9187-lit1434c-t6-flex-spec-sheet-pdf/file](http://fsrinc.com/documents/spec-sheet/9187-lit1434c-t6-flex-spec-sheet-pdf/file).

FSR Inc., Table Boxes, LIT1187H, 2014, available at [www.novotech.com.mx/wp-content/uploads/2016/03/1187H-Table-Box-Brochure.pdf](http://www.novotech.com.mx/wp-content/uploads/2016/03/1187H-Table-Box-Brochure.pdf).

Herman Miller, Inc., Logic Power Access Solutions, 2015, available at [www.hermanmiller.com/content/dam/hermanmiller/documents/product\\_literature/product\\_sheets/Logic\\_Power\\_Access\\_Solutions\\_product\\_sheet.pdf](http://www.hermanmiller.com/content/dam/hermanmiller/documents/product_literature/product_sheets/Logic_Power_Access_Solutions_product_sheet.pdf).

Extron Electronics, “Hideaway” Family Brochure, 2002.

Extron Electronics, Extron® Hideaway Series Brochure, 2002.

Kramer Electronics Ltd., K-Able/XL Box Cable Retractor, User Manual, P/N: 2900-300441 Rev 3, 2015, available at [k.kramerav.com/downloads/manuals/k-able\\_xl\\_box.pdf](http://k.kramerav.com/downloads/manuals/k-able_xl_box.pdf).

Kindermann, MultiMedia connection sytems, 2014, available at [www.kindermann.de/fileadmin/medien/printmedien/MultiMedia\\_connection\\_systems/GB/MultiMedia\\_connection\\_systems\\_GB.pdf](http://www.kindermann.de/fileadmin/medien/printmedien/MultiMedia_connection_systems/GB/MultiMedia_connection_systems_GB.pdf).

Legrand, Wiremold® AVIP Series Device Plates, ED1670R3—Updated Jan. 2015, available at [www.legrand.us/wiremold.aspx](http://www.legrand.us/wiremold.aspx).

Legrand, Wiremold®, Dequorum™ Flip-Up Table Boxes, ED1755 0715, 2015, available at [www.middleatlantic.com](http://www.middleatlantic.com).

Legrand, Wiremold® Table Boxes, Table Boxes bring technology to the point-of-use, ED1706R5—Updated Mar. 2016, available at [www.legrand.us/wiremold.aspx](http://www.legrand.us/wiremold.aspx).

Legrand, wiremold®, InteGreat™ A/V Table Box, ED1699R1 0913, 2013, available at [www.legrand.us/wiremold.aspx](http://www.legrand.us/wiremold.aspx).

Legrand, wiremold®, Meeting Room Solutions, ED1710, 2013, available at [www.legrand.us/wiremold.aspx](http://www.legrand.us/wiremold.aspx).

Legrand, wiremold® Table Boxes, ED1652R3—Updated Apr. 2016, available at [www.legrand.us/wiremold.aspx](http://www.legrand.us/wiremold.aspx).

Soltec, LCD-TFT Solutions, 2015, available at [dvs.rs/wp-content/uploads/2017/07/ENGLISH-SOLTEC-CATALOGUE.pdf](http://dvs.rs/wp-content/uploads/2017/07/ENGLISH-SOLTEC-CATALOGUE.pdf).

\* cited by examiner

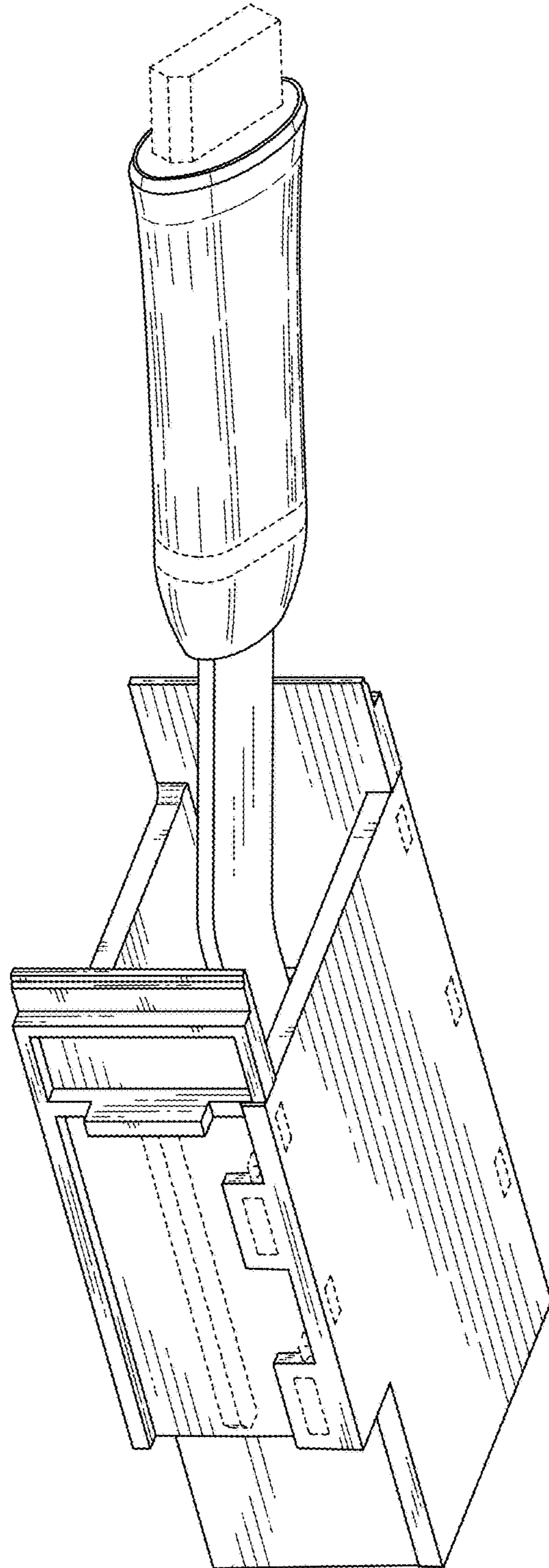


FIG. 1

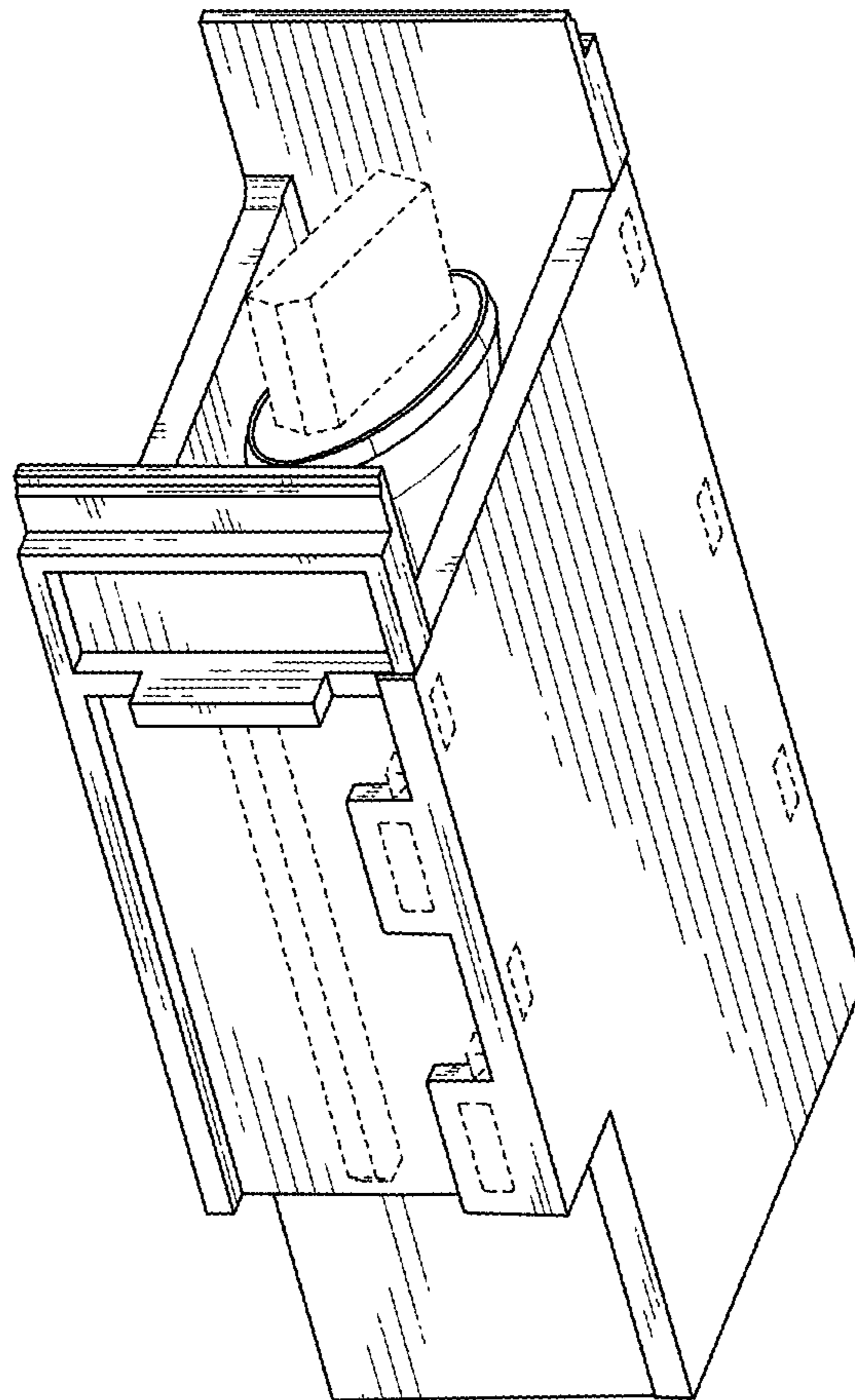


FIG. 2

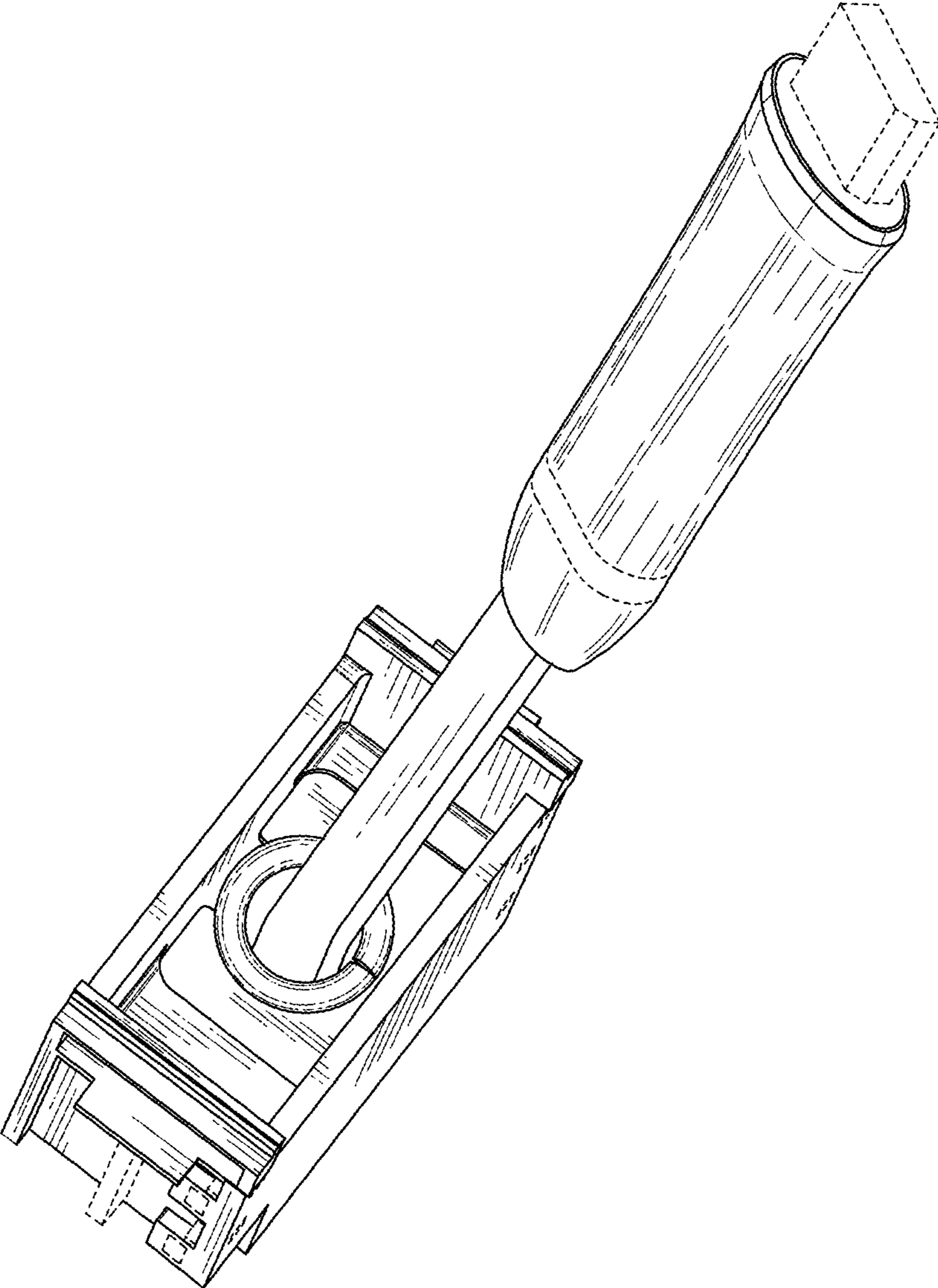
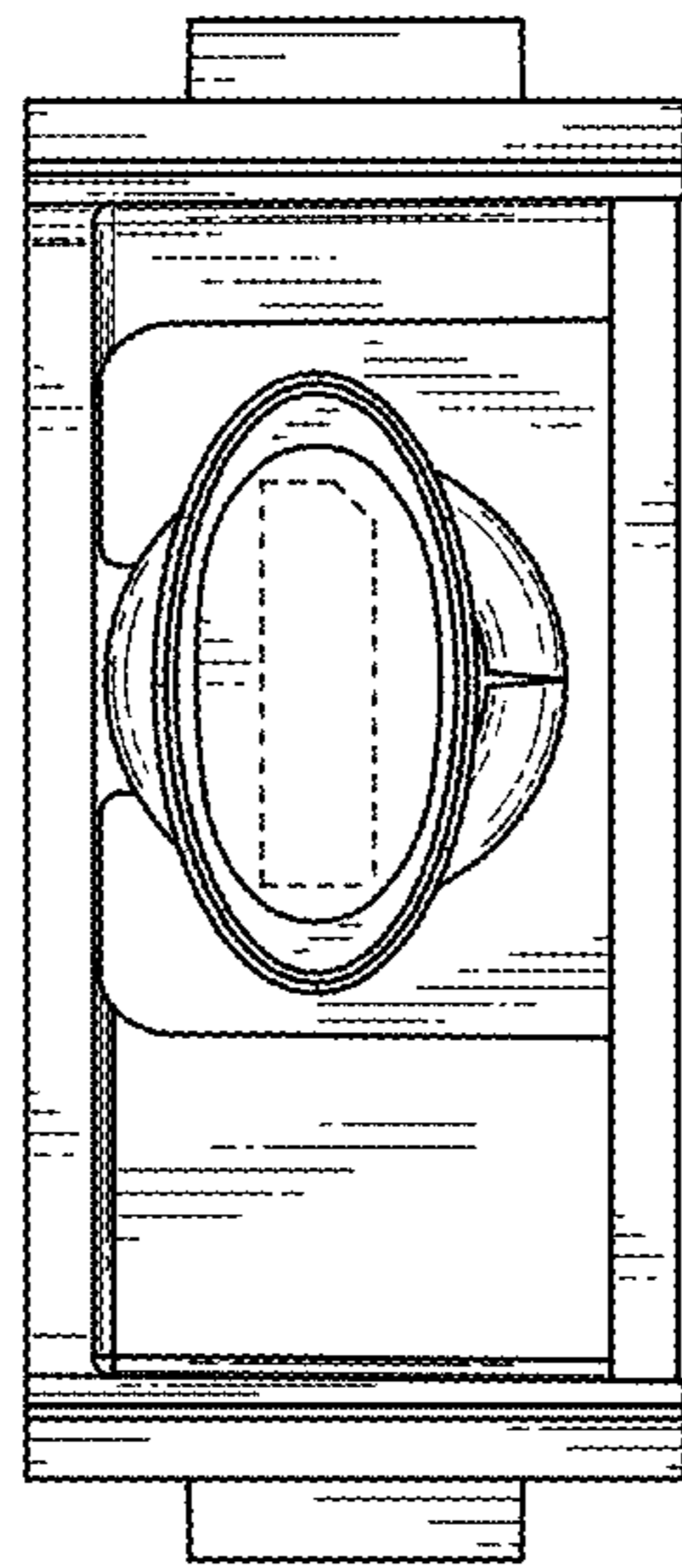


FIG. 3



*FIG. 4*

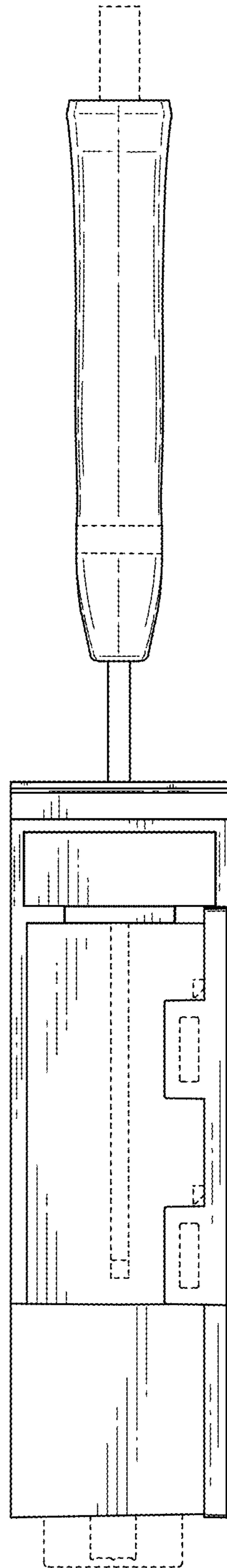


FIG. 5

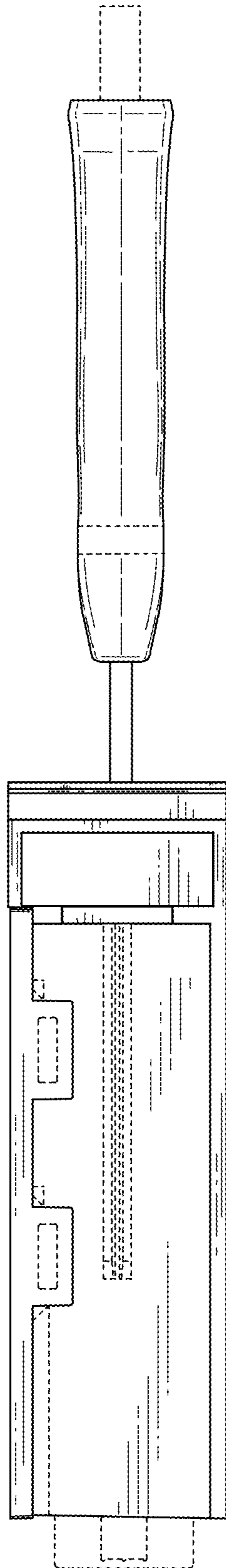


FIG. 6



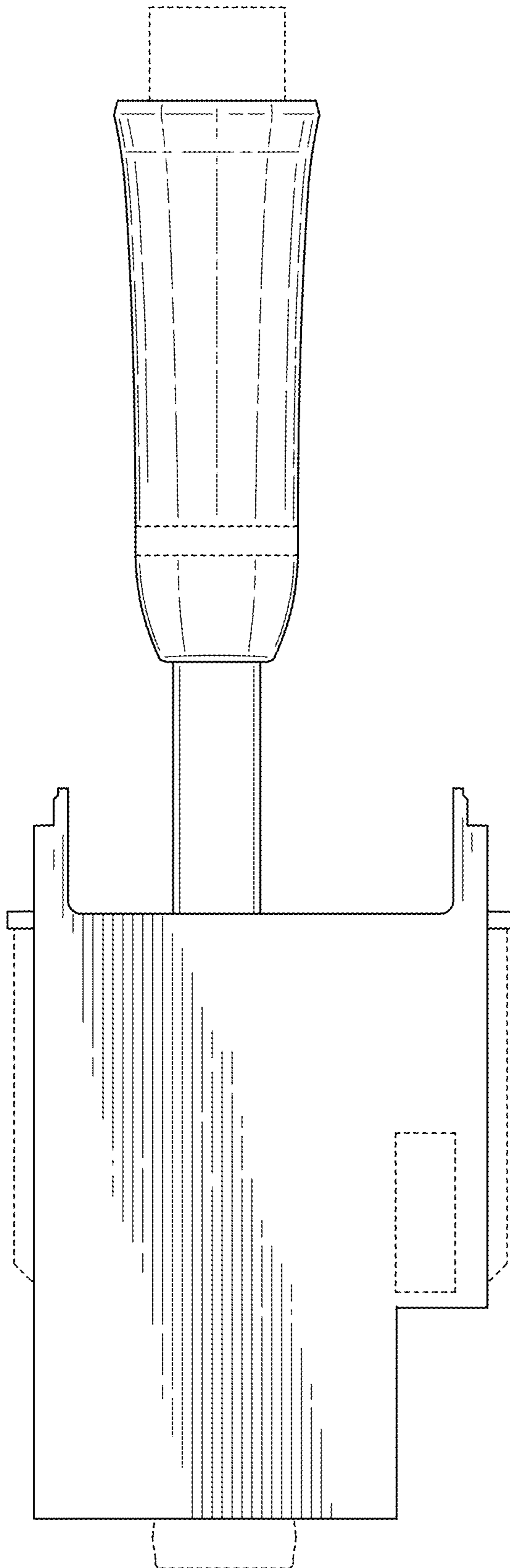


FIG. 7

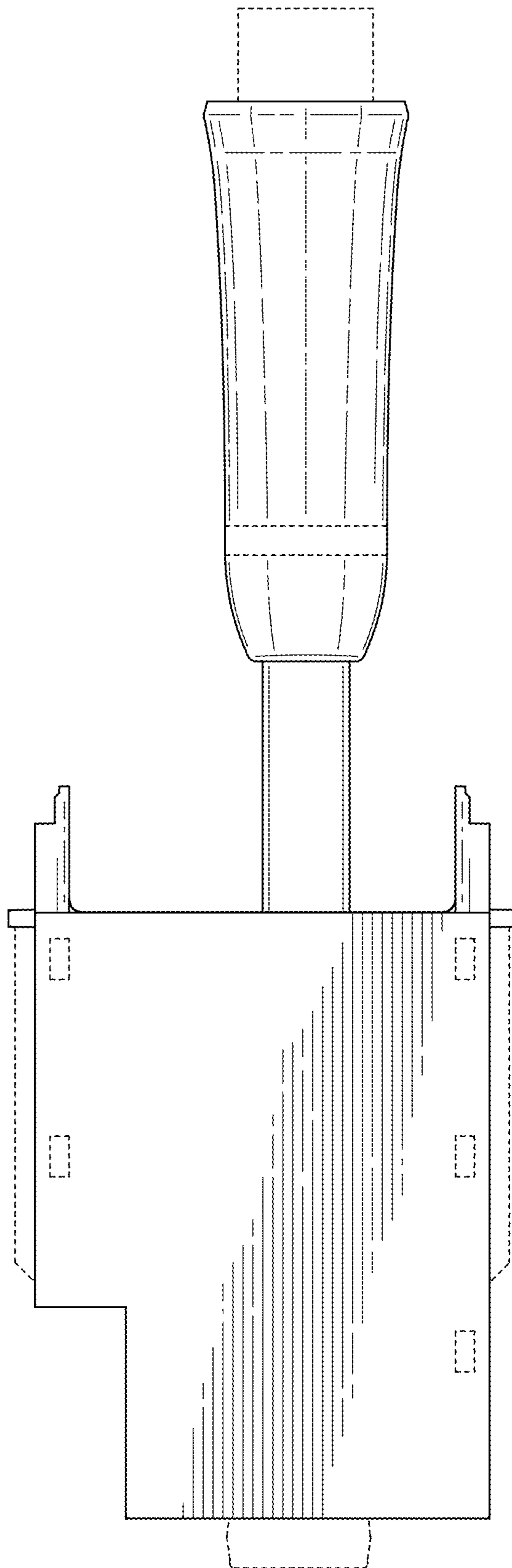


FIG. 8

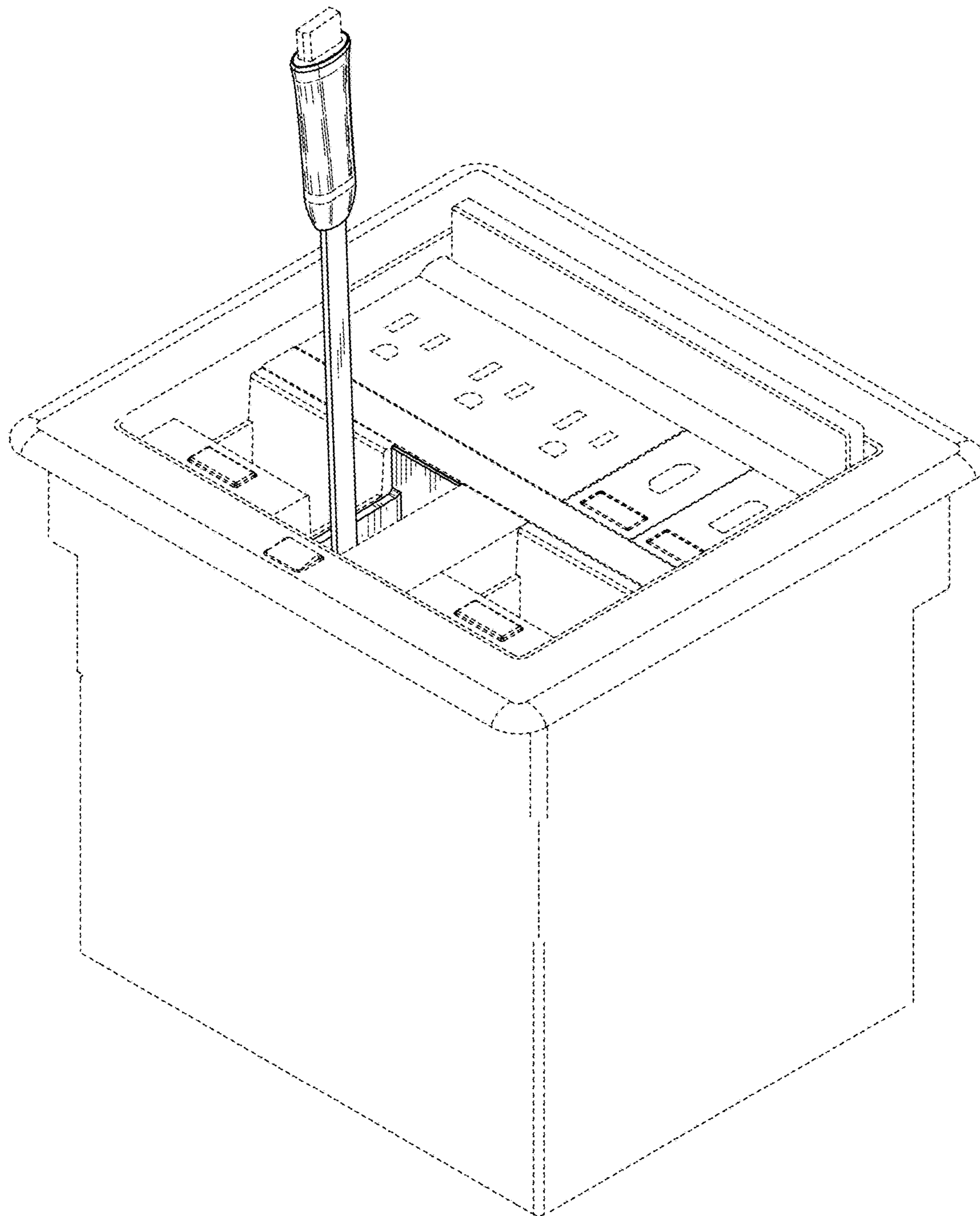


FIG. 9

UNITED STATES PATENT AND TRADEMARK OFFICE  
**CERTIFICATE OF CORRECTION**

PATENT NO. : D831,656 S  
APPLICATION NO. : 29/628649  
DATED : October 23, 2018  
INVENTOR(S) : Jhun et al.

Page 1 of 1

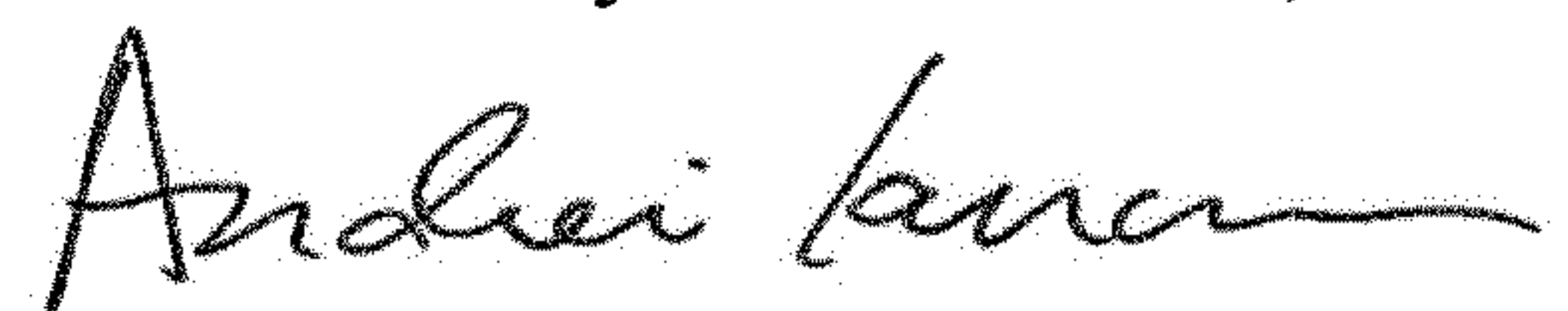
It is certified that error appears in the above-identified patent and that said Letters Patent is hereby corrected as shown below:

On the Title Page

Item (72), add:

-- Edward Joy, Carmel, NY (US); --

Signed and Sealed this  
Eleventh Day of December, 2018



Andrei Iancu  
*Director of the United States Patent and Trademark Office*