



US00D831654S

(12) **United States Design Patent**
Chiu et al.

(10) **Patent No.:** **US D831,654 S**
(45) **Date of Patent:** **** Oct. 23, 2018**

(54) **SCANNER**

2511/00202; B65H 2511/00206; B65H
2301/00; B65H 2220/04; B65H

(71) Applicant: **AVISION INC.**, Hsinchu (TW)

(Continued)

(72) Inventors: **Chin-Chu Chiu**, Hsinchu (TW);
Chin-Jung Tu, Hsinchu (TW);
Chia-Hsin Lin, Hsinchu (TW)

(56) **References Cited**

U.S. PATENT DOCUMENTS

D35,254 S * 11/1901 Faber D10/71
D195,010 S * 4/1963 Reick D18/40
D201,300 S * 6/1965 Seely, Jr. D10/71

(Continued)

(73) Assignee: **Avision Inc.** (TW)

(**) Term: **15 Years**

(21) Appl. No.: **29/547,407**

FOREIGN PATENT DOCUMENTS

(22) Filed: **Dec. 3, 2015**

JP D1510516 11/2014
JP D1536672 11/2015

(51) **LOC (11) Cl.** **14-02**

(52) **U.S. Cl.**
USPC **D14/422**

Primary Examiner — Susan Moon Lee

(58) **Field of Classification Search**

(57) **CLAIM**

The ornamental design for a scanner, as shown and described.

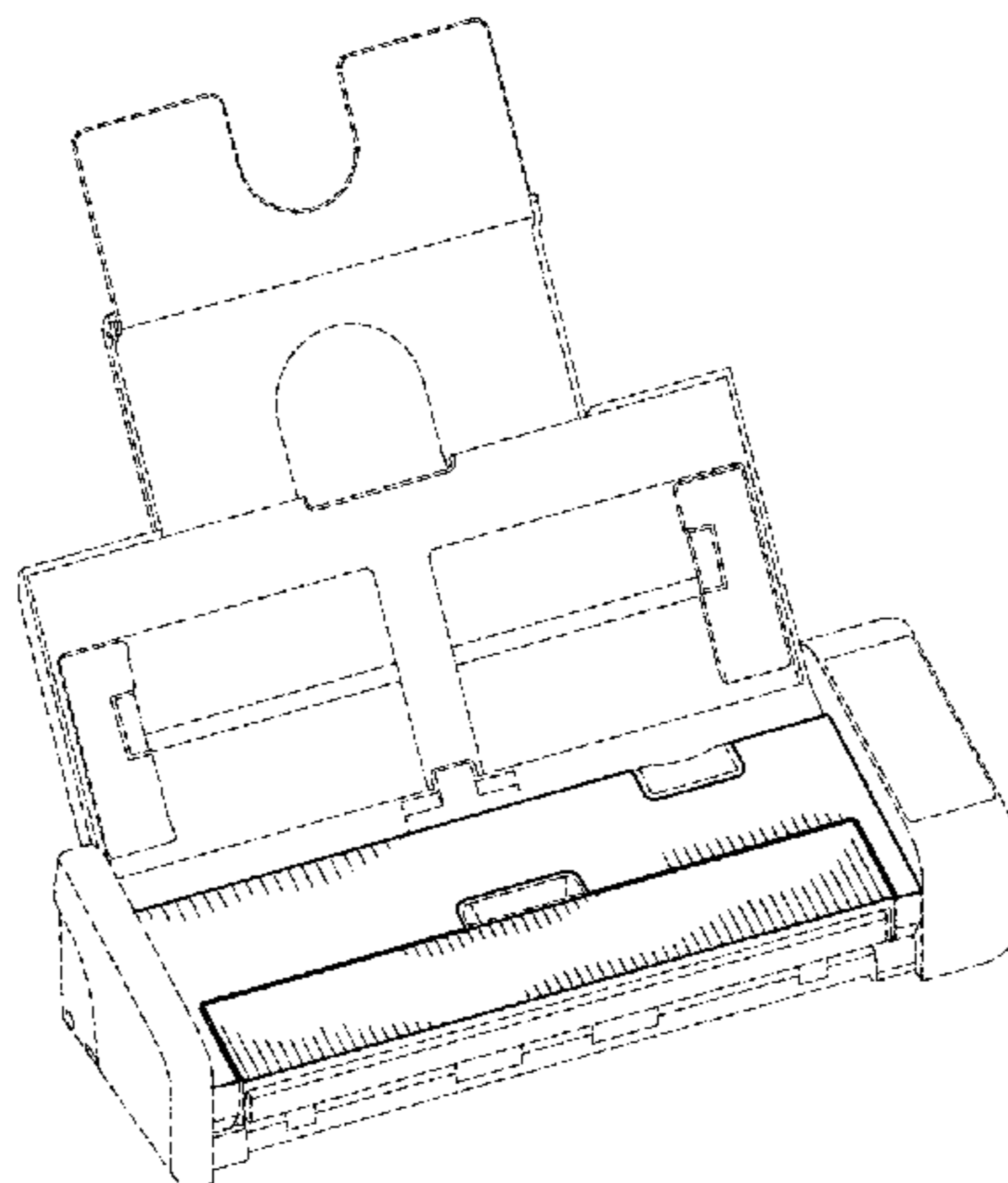
USPC D14/421-425; D18/40, 36-39, 41,
D18/44-56; 235/462, 455, 470, 462.43,
235/482, 483; 358/474, 486, 488, 496,
358/498, 452, 449, 451, 453.1, 1.13;
318/685, 696; 355/81, 75; 399/405, 367,
399/379, 380; 382/217; 715/209, 222,
715/226, 274; 400/613, 613.1-613.4,
400/690.1-690.4, 691-694
CPC H04N 1/00; H04N 1/12; H04N 1/00013;
H04N 1/00015; H04N 1/00018; H04N
1/00026; H04N 1/00557; H04N 1/00567;
H04N 1/0057; H04N 1/00572; H04N
1/00586; H04N 1/00588; H04N 1/00591;
H04N 1/00594; H04N 1/00596; H04N
1/00604; H04N 1/00519; H04N 1/00559;
H04N 1/1013; H04N 1/10; H04N
1/00551; H04N 1/00278; H04N
2201/0456; H04N 2201/0446; H04N
2201/00; H04N 2201/0094; G03G
15/0142; G03G 15/605; G03G 15/602;
B65H 5/26; B65H 5/30; B65H 7/00;
B65H 2402/515; B65H 2402/31; B65H
2511/20; B65H 2511/414; B65H
2511/00194; B65H 2511/00198; B65H

DESCRIPTION

FIG. 1 is a perspective view of a scanner showing our new design;
FIG. 2 is a front view thereof;
FIG. 3 is a top plan view thereof;
FIG. 4 is a perspective view of the scanner with the front cover open;
FIG. 5 is a front view thereof with the front cover in an open position;
FIG. 6 is a left side view thereof with the front cover in an open position;
FIG. 7 is a right side view thereof with the front cover in an open position; and,
FIG. 8 is a bottom plan view thereof with the front cover in an open position.

The portions depicted in broken line are not claimed. The dash-dot-dash lines represent the boundary between the claimed design and disclaimed portions, which also forms no part of claim.

1 Claim, 8 Drawing Sheets



US D831,654 S

Page 2

(58) Field of Classification Search

CPC 3/5261; B65H 2513/42; B65H 2801/39;
B65H 2801/31

See application file for complete search history.

(56) References Cited

U.S. PATENT DOCUMENTS

D215,568 S * 10/1969 Kellogg D15/146
D232,055 S * 7/1974 Frick D14/472
D248,243 S * 6/1978 South D25/119
D258,959 S * 4/1981 Clayton D18/54
D260,516 S * 9/1981 Giannotti, Jr. D18/54
D269,782 S * 7/1983 Canning D18/54
D274,907 S * 7/1984 Reese D14/332
D277,133 S * 1/1985 Houlihan D24/165
D279,783 S * 7/1985 Jordan D18/55
D283,824 S * 5/1986 Takada D18/54
D287,497 S * 12/1986 Goodner D18/55
D289,780 S * 5/1987 Kenney D20/44
D292,294 S * 10/1987 Nishibori D18/36
D293,578 S * 1/1988 Matsumoto D18/55
D295,045 S * 4/1988 Kuroki D18/55
D296,101 S * 6/1988 Hidaka D18/54
4,806,036 A * 2/1989 Ward B41J 11/30
400/605
D301,485 S * 6/1989 Kato D18/55
D302,439 S * 7/1989 Coffey D18/55
D304,598 S * 11/1989 Jokl D18/55
D304,722 S * 11/1989 Hashimoto D14/467
D304,724 S * 11/1989 Hashimoto D14/467
4,904,100 A * 2/1990 Enix B41J 3/36
242/538.3
D308,696 S * 6/1990 Tanizawa D18/40
D309,321 S * 7/1990 Bellini D18/54
D310,539 S * 9/1990 Komada D18/40
D311,021 S * 10/1990 Goodner D18/55
D311,205 S * 10/1990 Mitsushashi D18/54
D312,475 S * 11/1990 Yoshida D18/54
4,976,559 A * 12/1990 Inagaki B41J 5/105
400/472
D313,617 S * 1/1991 Kosako D18/36
D314,212 S * 1/1991 Komada D18/36
D314,972 S * 2/1991 Osaka D18/54
D315,338 S * 3/1991 Yoshihara D14/464
D316,869 S * 5/1991 Sugawara D18/54
D317,783 S * 6/1991 Matsumoto D18/54
D317,937 S * 7/1991 Uchihori D18/54
D318,066 S * 7/1991 Moro D18/54
5,048,784 A * 9/1991 Schwartz A47B 21/0371
248/118.3
D321,708 S * 11/1991 Uchibori D18/54
D321,709 S * 11/1991 Uchibori D18/54
D321,710 S * 11/1991 Uchibori D18/54
D321,711 S * 11/1991 Yoshihara D18/54
D321,714 S * 11/1991 Frenkler D18/54
D321,898 S * 11/1991 Kasee D18/55
D322,624 S * 12/1991 Sato D18/55
D323,183 S * 1/1992 Irie D18/55
D326,678 S * 6/1992 Uchibori D18/55
D331,420 S * 12/1992 Etoh D18/55
D331,597 S * 12/1992 Kobayashi D18/55
D332,112 S * 12/1992 Miyamoto D18/55
5,196,993 A * 3/1993 Herron F16M 11/10
248/923
5,221,831 A * 6/1993 Geiszler B65G 47/50
235/440
D337,608 S * 7/1993 Miyamoto D18/55
D339,372 S * 9/1993 Kando D18/50
D339,373 S * 9/1993 Gassett D18/36
D343,635 S * 1/1994 Shiraishi D18/54
D343,636 S * 1/1994 Horie D18/55
D344,974 S * 3/1994 Clark D18/54
5,341,929 A * 8/1994 Stefancin, Jr. A47B 21/0314
206/320

5,346,164 A * 9/1994 Allen A47B 21/0371
248/118
D352,731 S * 11/1994 Sugimoto D18/50
D358,826 S * 5/1995 Kuhns D15/146
5,443,320 A * 8/1995 Agata B41J 3/36
248/118.1
D362,014 S * 9/1995 Ishibashi D18/40
D362,674 S * 9/1995 Ishibashi D18/36
5,464,205 A * 11/1995 Bang B65H 31/00
271/145
D369,181 S * 4/1996 Kobayashi D18/55
5,513,824 A * 5/1996 Leavitt A47B 21/0371
248/118.3
D374,888 S * 10/1996 Udagawa D18/50
5,570,268 A * 10/1996 Selker G06F 1/1616
361/679.19
5,596,481 A * 1/1997 Liu G06F 1/1616
248/118.1
D378,378 S * 3/1997 Nakazawa D18/54
D378,525 S * 3/1997 Ito D18/40
5,607,054 A * 3/1997 Hollingsworth G06F 1/1628
206/305
D388,182 S * 12/1997 Payton D25/121
D390,258 S * 2/1998 Kawahara 347/108
5,818,360 A * 10/1998 Chu G06F 1/1616
248/118.3
D401,617 S * 11/1998 Miyazawa D18/40
5,845,144 A * 12/1998 Tateyama G06F 1/1616
712/1
5,878,306 A * 3/1999 Michlin G03G 15/0812
399/106
D408,799 S * 4/1999 Daury D14/385
D413,919 S * 9/1999 Kobayashi D18/54
5,971,332 A * 10/1999 Sun G06F 1/1656
248/118
D419,973 S * 2/2000 Ueda D14/434
6,025,986 A * 2/2000 Sternglass G06F 1/1616
248/118.1
6,042,075 A * 3/2000 Burch, Jr. A47B 21/0314
248/442.2
6,132,122 A * 10/2000 Robinson B41J 13/00
400/624
D439,183 S * 3/2001 Diller, Jr. D10/109.1
D446,306 S * 8/2001 Ochi D24/165
6,341,061 B1 * 1/2002 Eisbach G06F 1/1616
312/223.2
D467,265 S * 12/2002 Suzuki D18/40
D474,770 S * 5/2003 Chujou D14/425
6,619,597 B1 * 9/2003 Sheppard A47B 21/0371
248/118
6,633,414 B1 * 10/2003 Matsuda H04N 1/00543
358/1.14
D481,753 S * 11/2003 Hattori D18/50
D482,060 S * 11/2003 Hattori D18/50
D482,386 S * 11/2003 Hattori D18/50
D482,719 S * 11/2003 Hattori D18/50
6,654,230 B1 * 11/2003 Jones G06F 1/1616
206/320
D484,184 S * 12/2003 Hattori D18/50
D492,958 S * 7/2004 Karakama D18/40
6,830,395 B2 * 12/2004 King B41J 2/14
348/E5.024
6,947,279 B2 * 9/2005 Cheng G06F 1/1616
248/917
6,986,613 B2 * 1/2006 King B41J 2/14427
348/E5.024
7,077,588 B2 * 7/2006 King G06F 3/021
348/E5.024
D532,041 S * 11/2006 Ishigami D18/50
D532,544 S * 11/2006 Woertler D26/80
D536,731 S * 2/2007 Tate D18/50
D553,184 S * 10/2007 Lee D18/50
7,290,952 B2 * 11/2007 Kagami B41J 13/106
271/144
7,314,172 B2 * 1/2008 Vanek G07C 13/00
235/386
D563,413 S * 3/2008 Kuroda D14/422

(56)

References Cited

U.S. PATENT DOCUMENTS

7,431,447 B2 * 10/2008 Jensen H04N 1/00543
 347/108
 D597,241 S * 7/2009 Fabbri D26/74
 D610,146 S * 2/2010 Kuroda D14/422
 D610,147 S * 2/2010 Kuroda D14/422
 D610,148 S * 2/2010 Kuroda D14/422
 D610,149 S * 2/2010 Kuroda D14/422
 D616,889 S * 6/2010 Kuroda D14/422
 D624,544 S * 9/2010 Kuroda D14/422
 D624,545 S * 9/2010 Kuroda D14/422
 D624,546 S * 9/2010 Kuroda D14/422
 D624,547 S * 9/2010 Kuroda D14/422
 D629,553 S * 12/2010 Gielen D26/76
 7,845,259 B2 * 12/2010 Workman B26D 7/2614
 83/436.3
 D632,004 S * 2/2011 Waldmann D26/76
 D632,295 S * 2/2011 Kuroda D14/422
 D637,191 S * 5/2011 Kuroda D14/422
 D638,018 S * 5/2011 Kuroda D14/422
 8,016,412 B2 * 9/2011 Kawai B41J 29/02
 347/108
 D650,111 S * 12/2011 Herremans D26/84
 D650,509 S * 12/2011 Wegger D26/90
 D669,526 S * 10/2012 Sakurai D18/50
 D675,769 S * 2/2013 Choi D26/106
 D680,157 S * 4/2013 Umezawa D18/34.3
 D682,329 S * 5/2013 Day D15/146
 D683,394 S * 5/2013 Suzuki D18/50
 D689,865 S * 9/2013 Kitamura D14/422
 D689,868 S * 9/2013 Ishikawa D14/422
 D690,304 S * 9/2013 Lim D14/422
 8,545,045 B2 * 10/2013 Tress F21V 33/0012
 315/185 R
 8,587,845 B2 * 11/2013 Yonemura H04N 1/00535
 358/473
 D699,724 S * 2/2014 Isozaki D14/421
 D699,726 S * 2/2014 Seki D14/422
 D700,908 S * 3/2014 Taniho D14/422
 D705,861 S * 5/2014 Tjin D18/50
 8,763,795 B1 * 7/2014 Oten A45C 11/00
 206/320
 D713,845 S * 9/2014 Taniho D14/422

D719,168 S * 12/2014 Tani D14/422
 8,908,075 B2 * 12/2014 Silverbrook B41J 2/1433
 348/222.1
 D723,035 S * 2/2015 Taniho D14/422
 D726,362 S * 4/2015 Kim D13/180
 9,124,745 B2 * 9/2015 Mukai H04N 1/00615
 9,225,863 B2 * 12/2015 Miyamoto H04N 1/00551
 D752,141 S * 3/2016 Lee D18/53
 D752,681 S * 3/2016 Chung D18/53
 D753,217 S * 4/2016 Ozawa D18/50
 D754,788 S * 4/2016 Kim D18/50
 D765,167 S * 8/2016 Kim D18/50
 9,415,954 B2 * 8/2016 Ukai B65H 1/02
 D780,181 S * 2/2017 Peng D14/422
 D807,887 S * 1/2018 Hama D14/422
 2003/0063337 A1 * 4/2003 Shirai H04N 1/0062
 358/498
 2003/0095296 A1 * 5/2003 Terashima H04N 1/00
 358/498
 2004/0067089 A1 * 4/2004 Tanaami B41J 29/02
 400/693
 2005/0117319 A1 * 6/2005 Kuo G02B 6/0031
 362/631
 2007/0002290 A1 * 1/2007 Muraki B41J 3/46
 353/119
 2009/0033951 A1 * 2/2009 Sugahara B41J 3/46
 358/1.1
 2010/0060948 A1 * 3/2010 Yoshida H04N 1/00519
 358/474
 2012/0281259 A1 * 11/2012 Osakabe H04N 1/1017
 358/474
 2014/0071503 A1 * 3/2014 Mukai H04N 1/00604
 358/498
 2014/0092451 A1 * 4/2014 Mizuno H04N 1/00535
 358/498
 2014/0092456 A1 * 4/2014 Ukai H04N 1/00588
 358/498
 2014/0103598 A1 * 4/2014 Kuriki B65H 1/06
 271/3.19
 2014/0293374 A1 * 10/2014 Nakayama H04N 1/00588
 358/498
 2015/0062667 A1 * 3/2015 Kuriki H04N 1/0057
 358/474

* cited by examiner

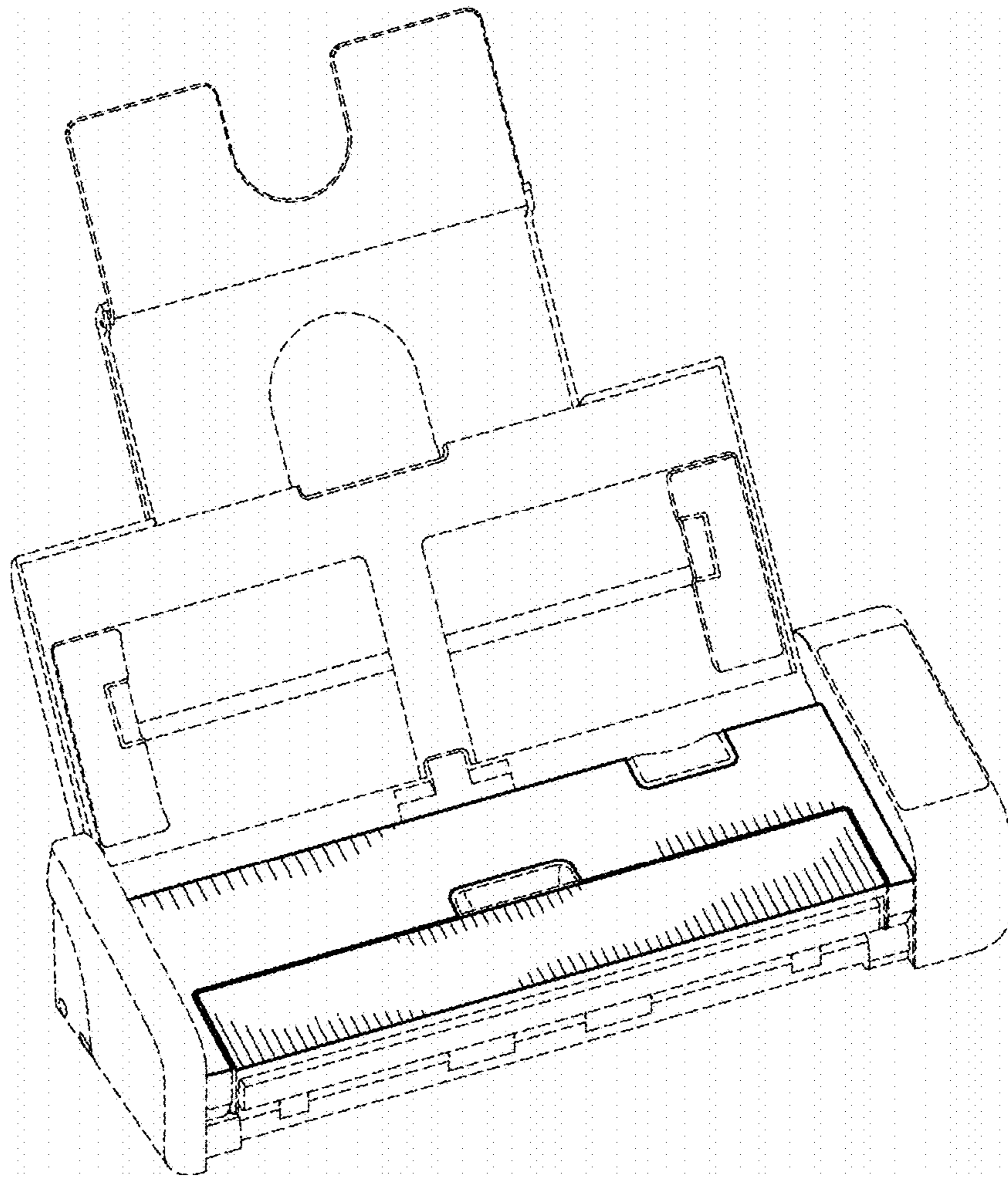


FIG. 1

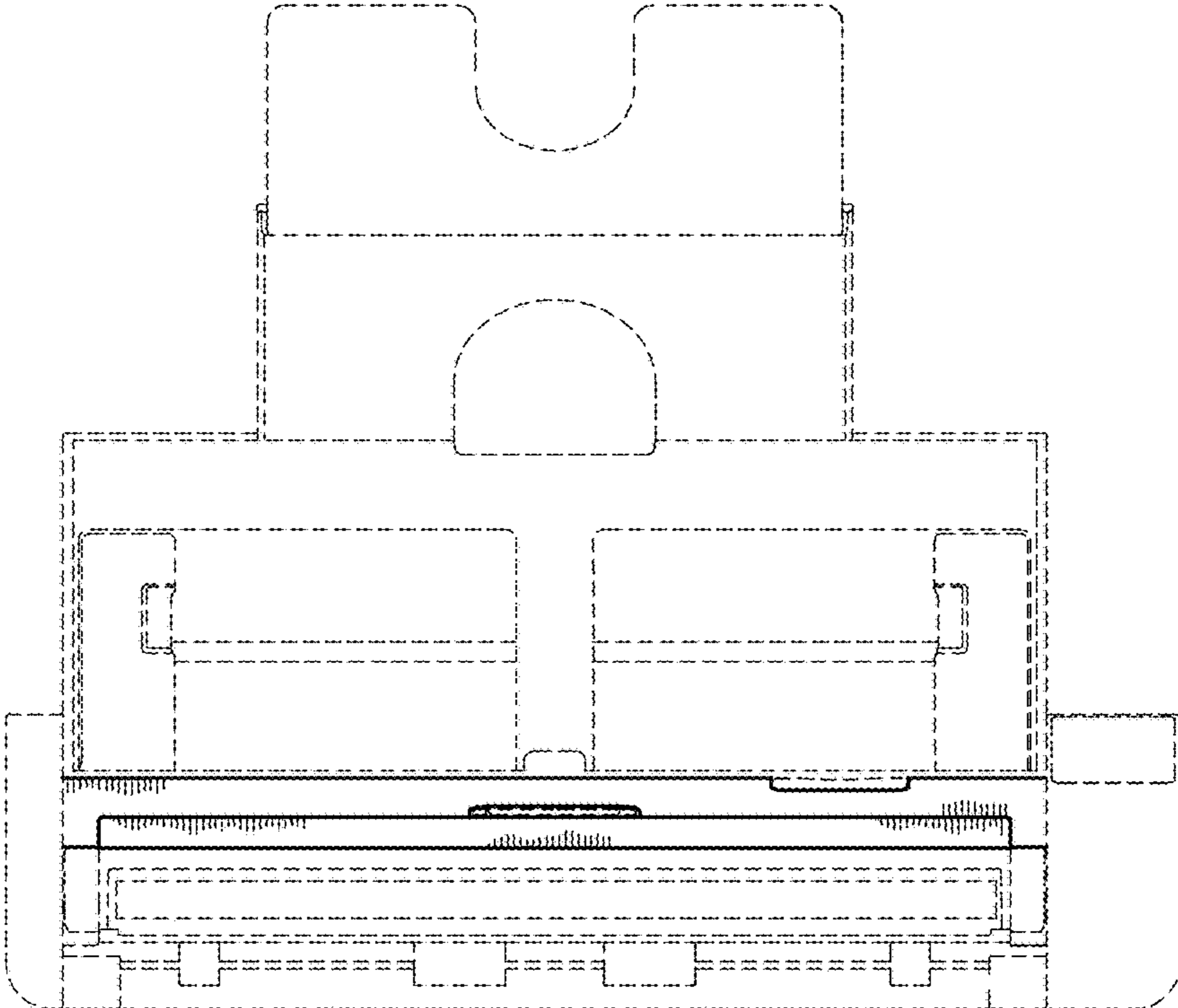


FIG. 2

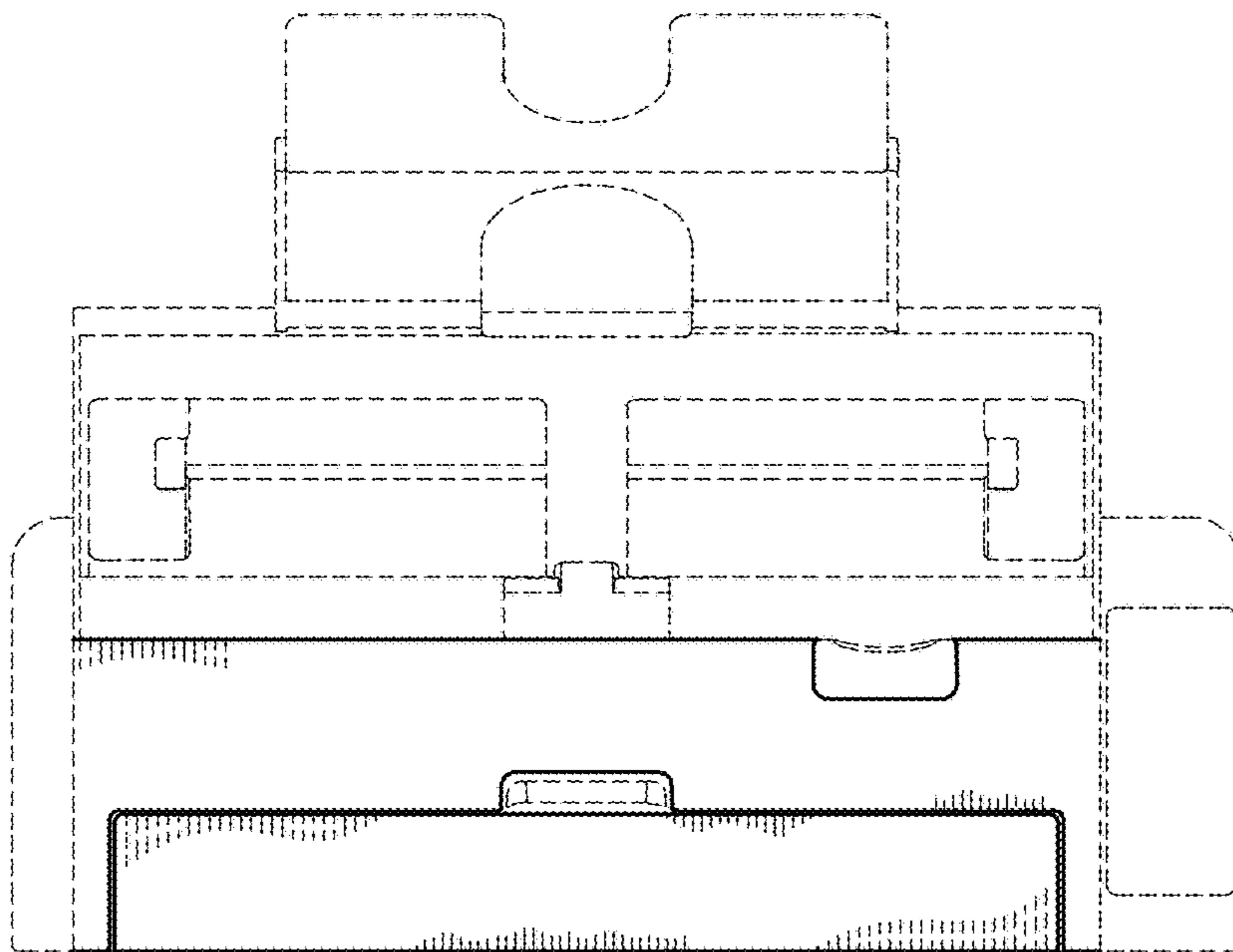


FIG. 3

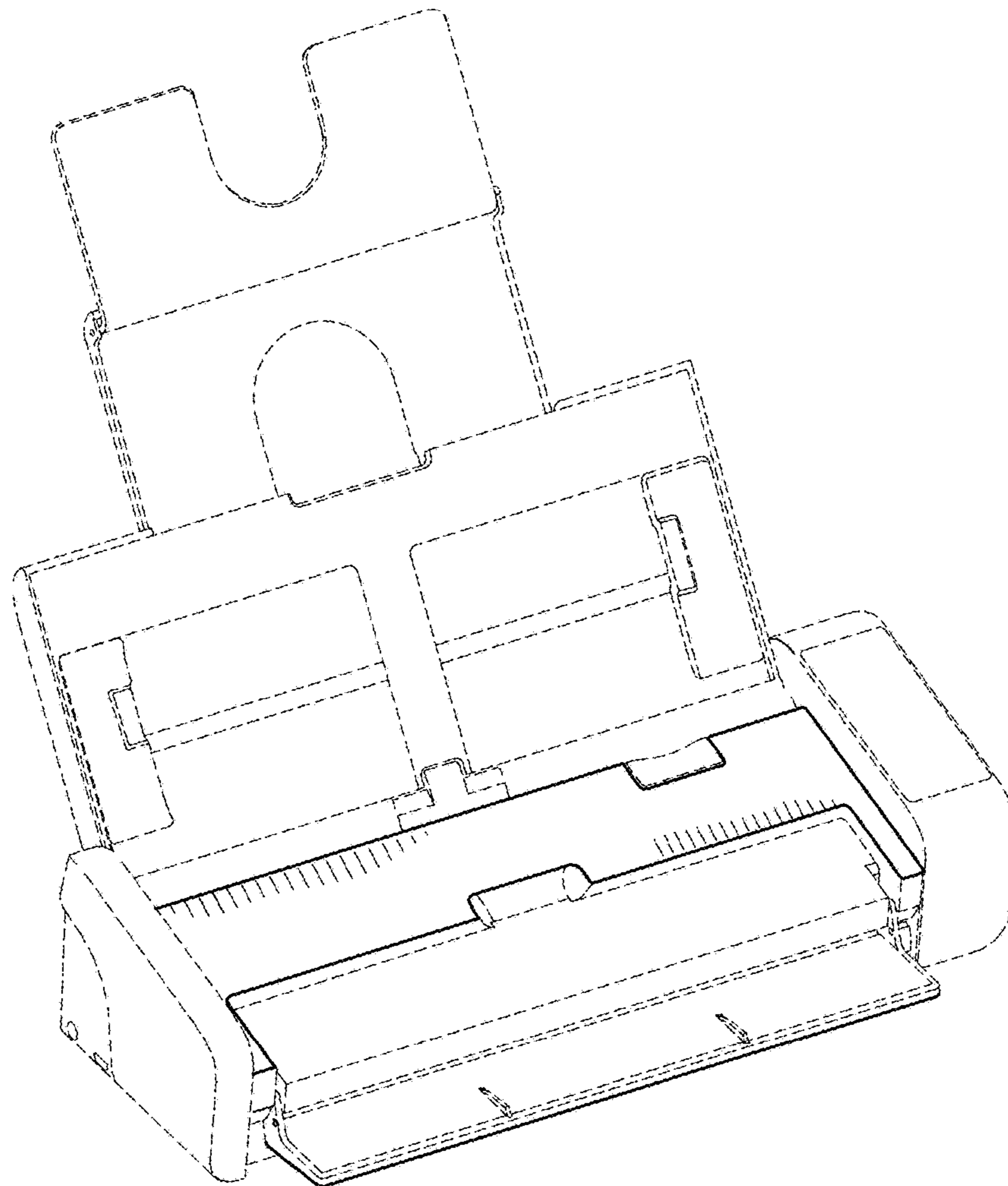


FIG. 4

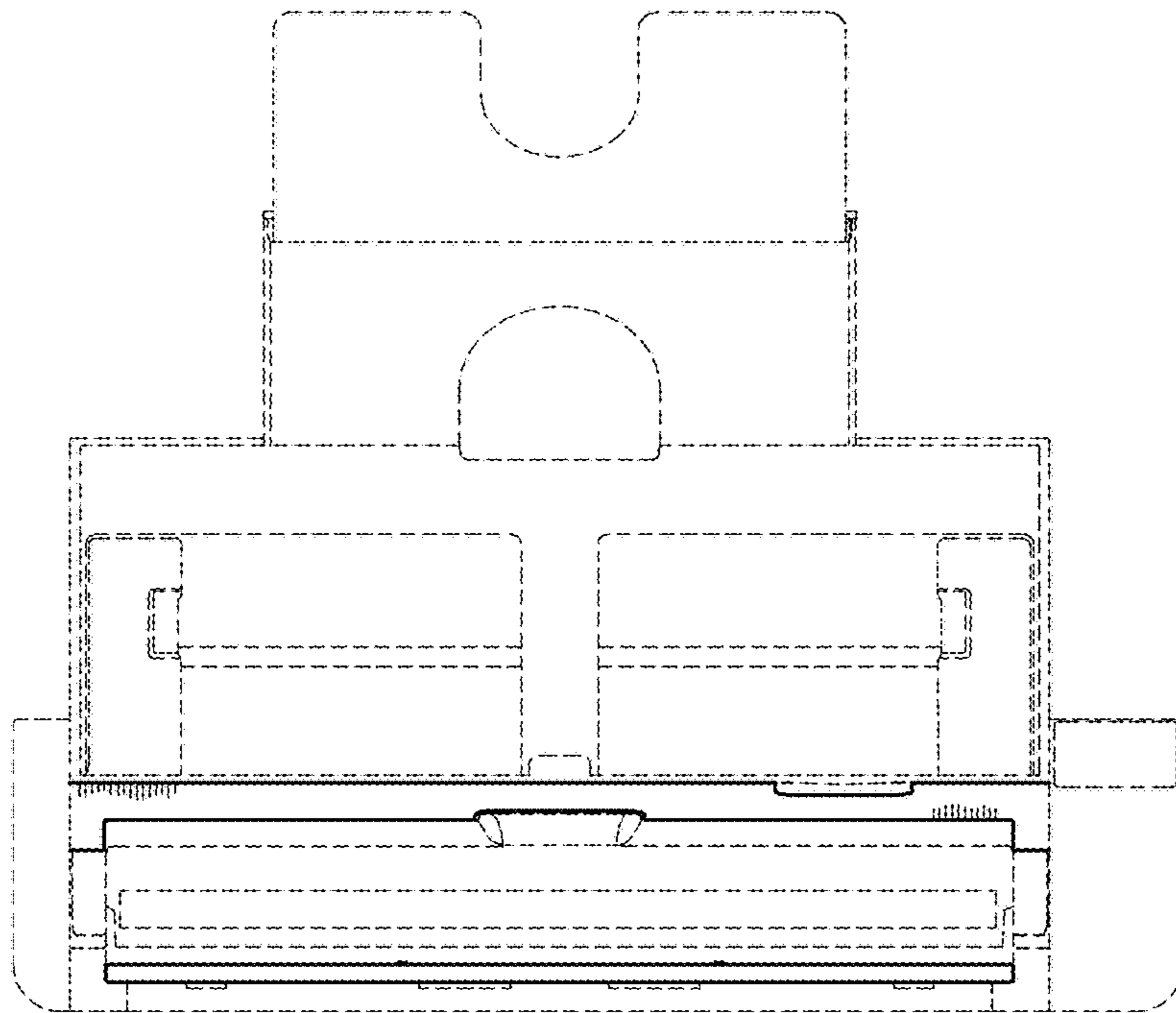


FIG. 5

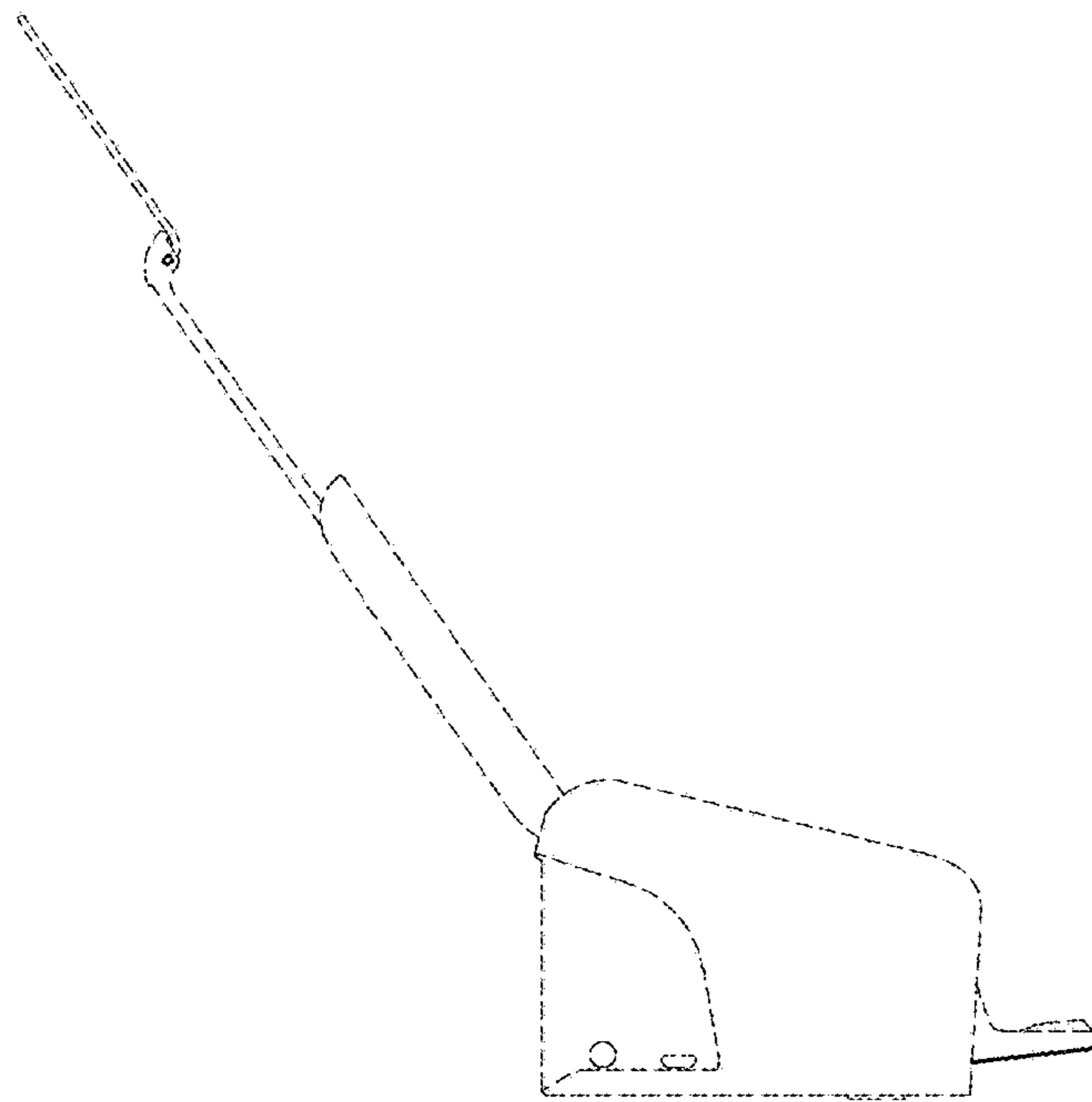


FIG. 6

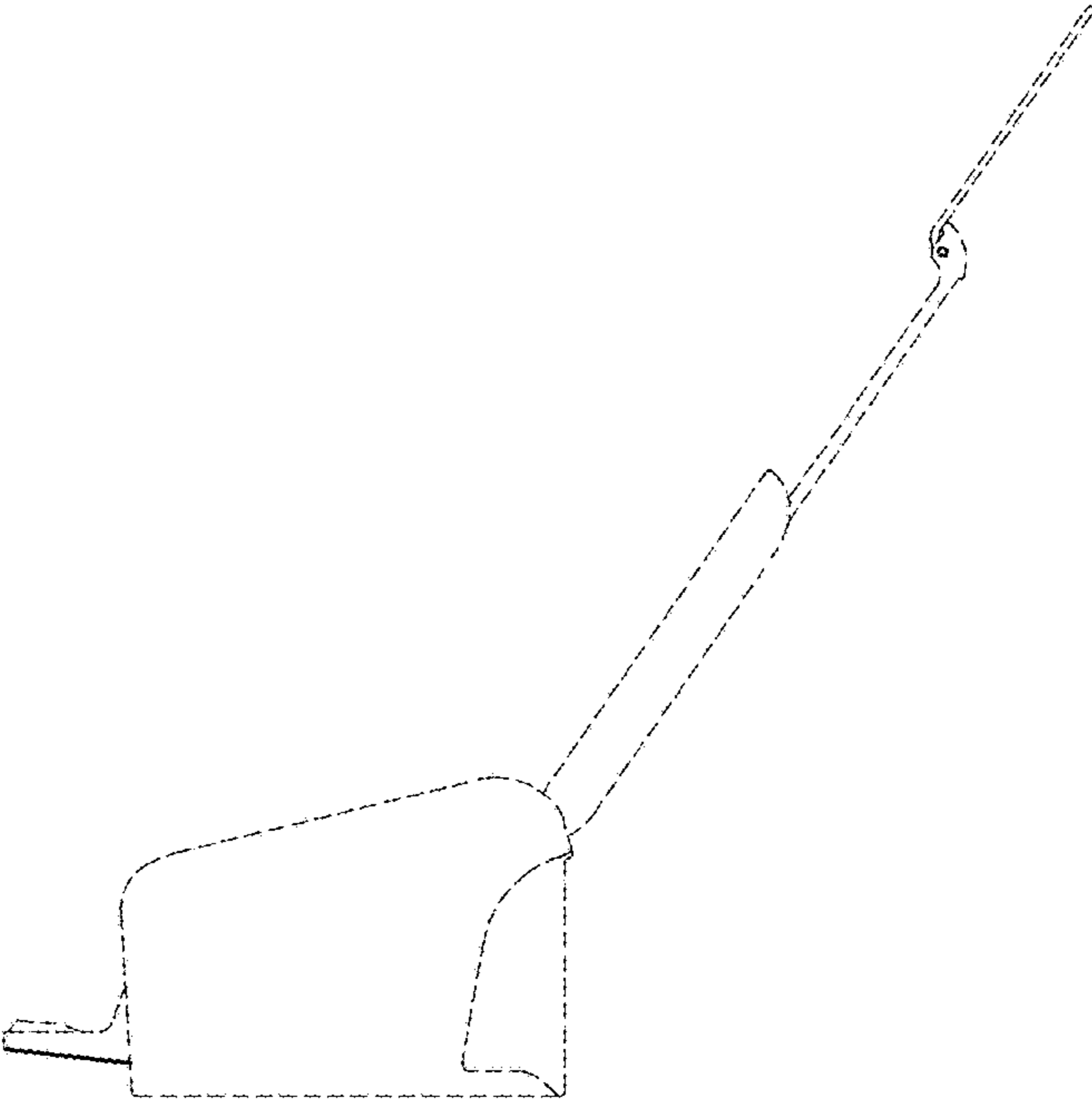


FIG. 7

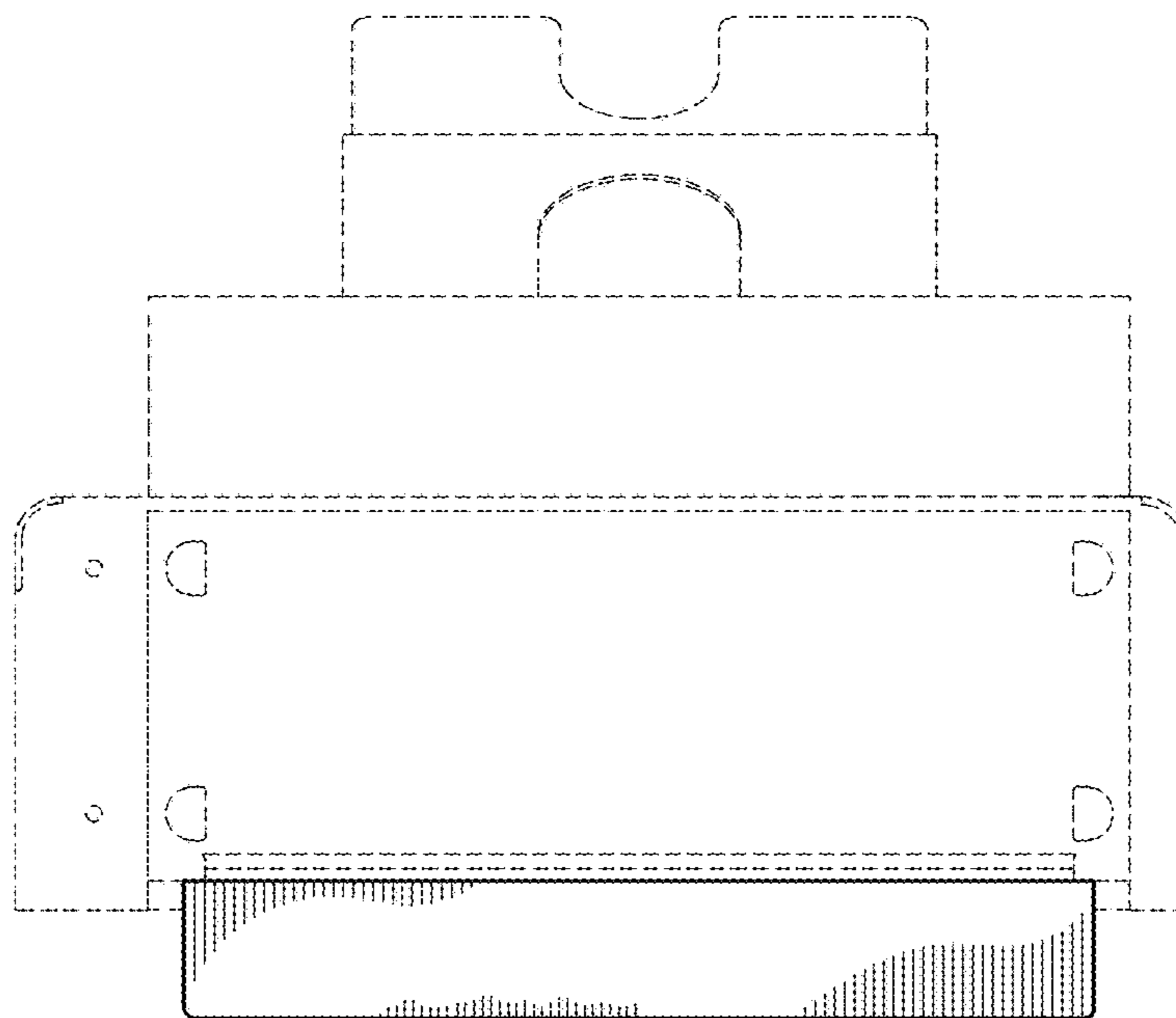


FIG. 8