

US00D831653S

(12) **United States Design Patent** (10) **Patent No.:** **US D831,653 S**
Fook (45) **Date of Patent:** **** Oct. 23, 2018**

(54) **DESKTOP SCANNER**

G02B 26/10; G02B 26/106; G07F 11/002; G07F 11/02; G06Q 20/343; G06F 2203/0331

(71) Applicant: **Lee Seng Fook**, Singapore (SG)

See application file for complete search history.

(72) Inventor: **Lee Seng Fook**, Singapore (SG)

(**) Term: **15 Years**

(56) **References Cited**

(21) Appl. No.: **29/625,894**

U.S. PATENT DOCUMENTS

(22) Filed: **Nov. 14, 2017**

(51) **LOC (11) Cl.** **14-02**

(52) **U.S. Cl.**
USPC **D14/420**

| | | | | |
|--------------|---------|----------|-------|---------|
| D680,143 S * | 4/2013 | Henssler | | D16/200 |
| D736,845 S * | 8/2015 | Yilin | | D16/203 |
| D746,350 S * | 12/2015 | Li | | D16/203 |
| D776,740 S * | 1/2017 | Okawa | | D16/203 |
| D789,999 S * | 6/2017 | Yakabe | | D16/200 |
| D802,645 S * | 11/2017 | Siminoff | | D16/203 |
| D810,805 S * | 2/2018 | Loew | | D16/203 |
| D816,144 S * | 4/2018 | Vigren | | D16/203 |

(58) **Field of Classification Search**

USPC D14/420, 426–430, 453, 169, 172, 204, D14/216, 496, 358, 251, 240, 356, 203.1, D14/214; 235/462.01, 462.11, 462.43, 235/462.45, 462.49, 472.01, 385, 454; 382/313, 321, 318; 358/473; 250/215, 250/216; D26/37–50, 24; 362/157, 158, 362/171–174, 183–208; 396/427; D16/200, 202–204, 208, 210, 214, 221, D16/225

* cited by examiner

Primary Examiner — Susan Moon Lee
(74) *Attorney, Agent, or Firm* — Muncy, Geissler, Olds & Lowe, P.C.

CPC G06K 7/10584; G06K 7/10613; G06K 7/10881; G06K 7/109; G06K 7/10693; G06K 7/10871; G06K 7/1096; G06K 7/10; G06K 7/10564; G06K 7/10594; G06K 7/10603; G06K 7/10663; G06K 7/10673; G06K 7/10702; G06K 7/10792; G06K 7/10633; G06K 7/10653; G06K 7/10891; G06K 7/14; G06K 7/1443; G06K 7/10801; G06K 7/10811; G06K 7/10851; G06K 7/10861; G06K 2207/1011; G06K 2207/1012; G06K 2207/1013; G06K 2207/1016; G06K 2207/1017; G06K 2207/1018; G06K 2207/10534; G06K 17/0022; A47F 9/046; A47F 9/047; G07G 1/0045; G04N 5/23238; G04N 5/2252; G04N 5/2251; G03B 17/02; B25H 5/00; B66F 7/28;

(57) **CLAIM**

I claim the ornamental design for a desktop scanner, as shown and described.

DESCRIPTION

FIG. 1 is an angular perspective view of a desktop scanner showing my new design;
FIG. 2 is a top view of the desktop scanner showing in FIG. 1;
FIG. 3 is a bottom view of the desktop scanner showing in FIG. 1;
FIG. 4 is a front view of the desktop scanner showing in FIG. 1;
FIG. 5 is a back view of the desktop scanner showing in FIG. 1;
FIG. 6 is a left side view of the desktop scanner showing in FIG. 1;
FIG. 7 is a right-side view of the desktop scanner showing in FIG. 1; and,

(Continued)

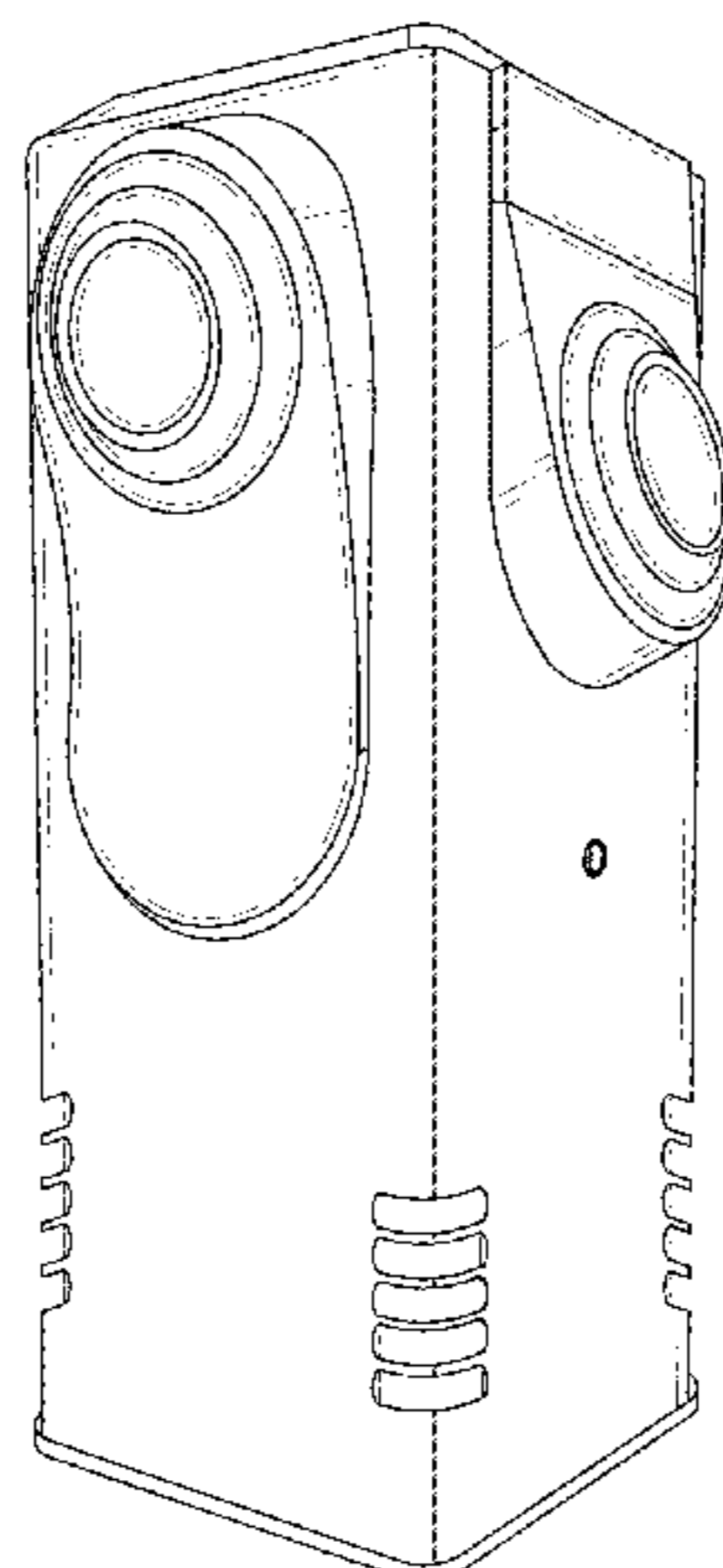


FIG. 8 is a perspective view of the desktop scanner showing in FIG. 1.

1 Claim, 8 Drawing Sheets

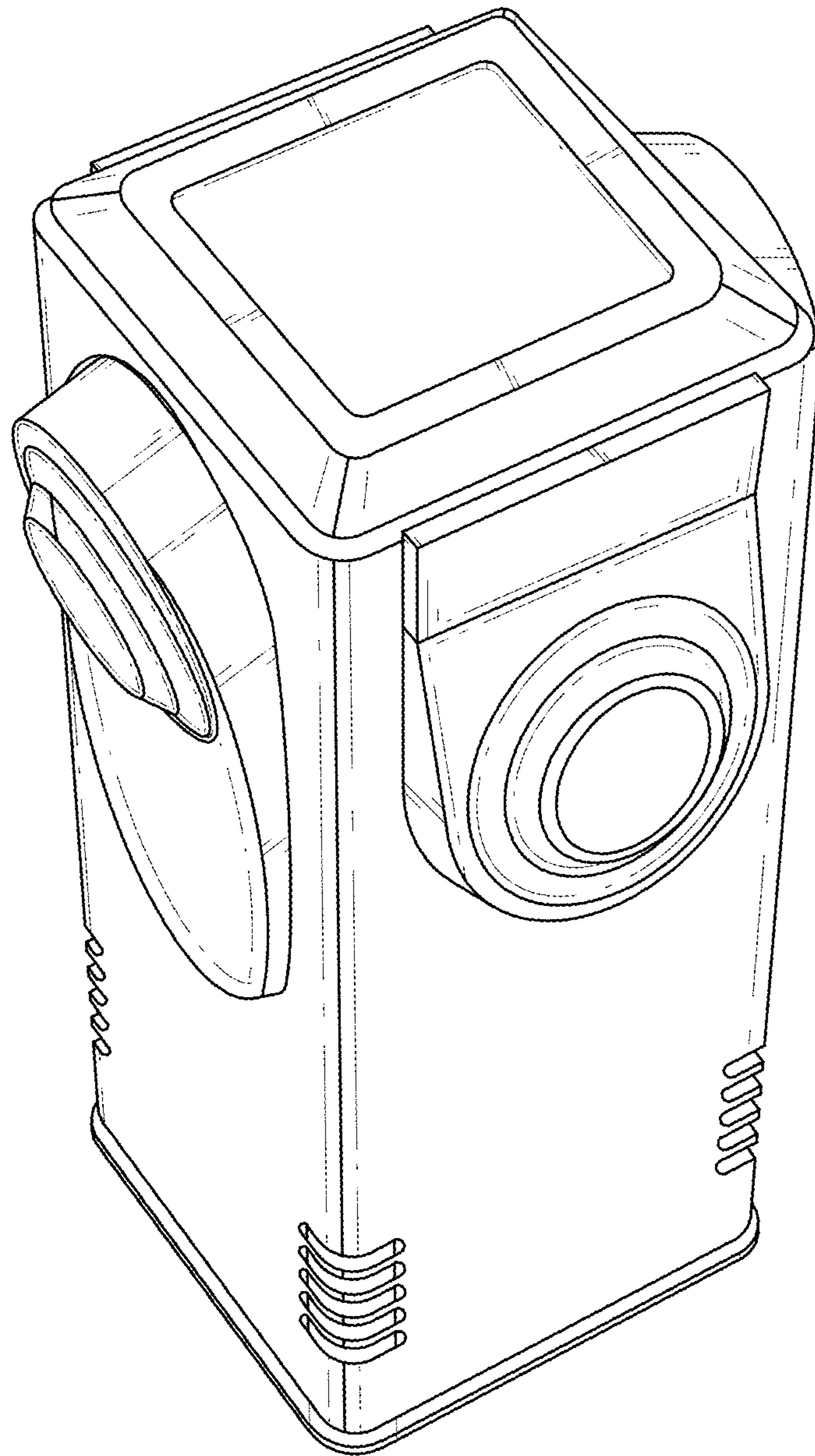


FIG. 1

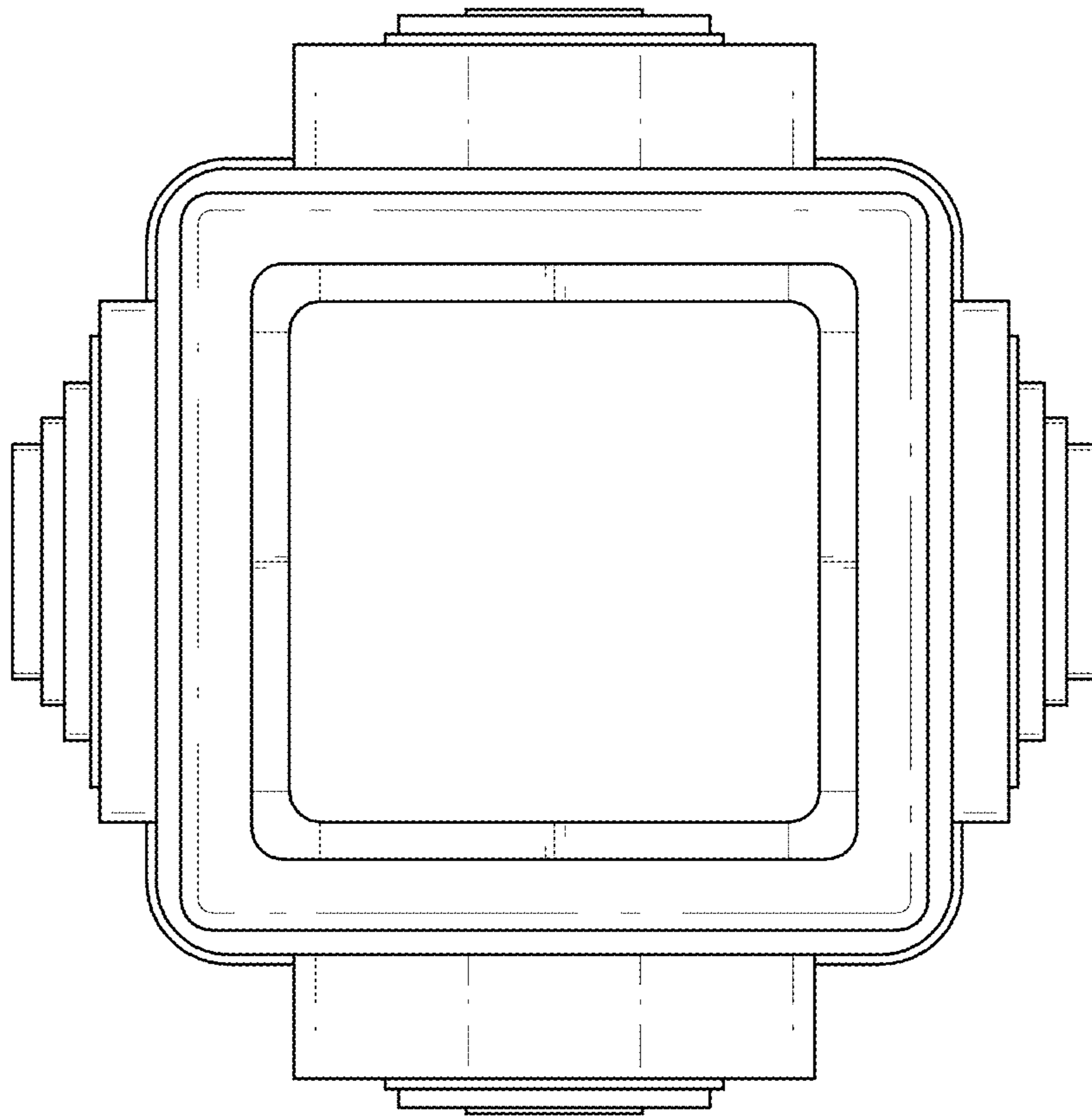


FIG. 2

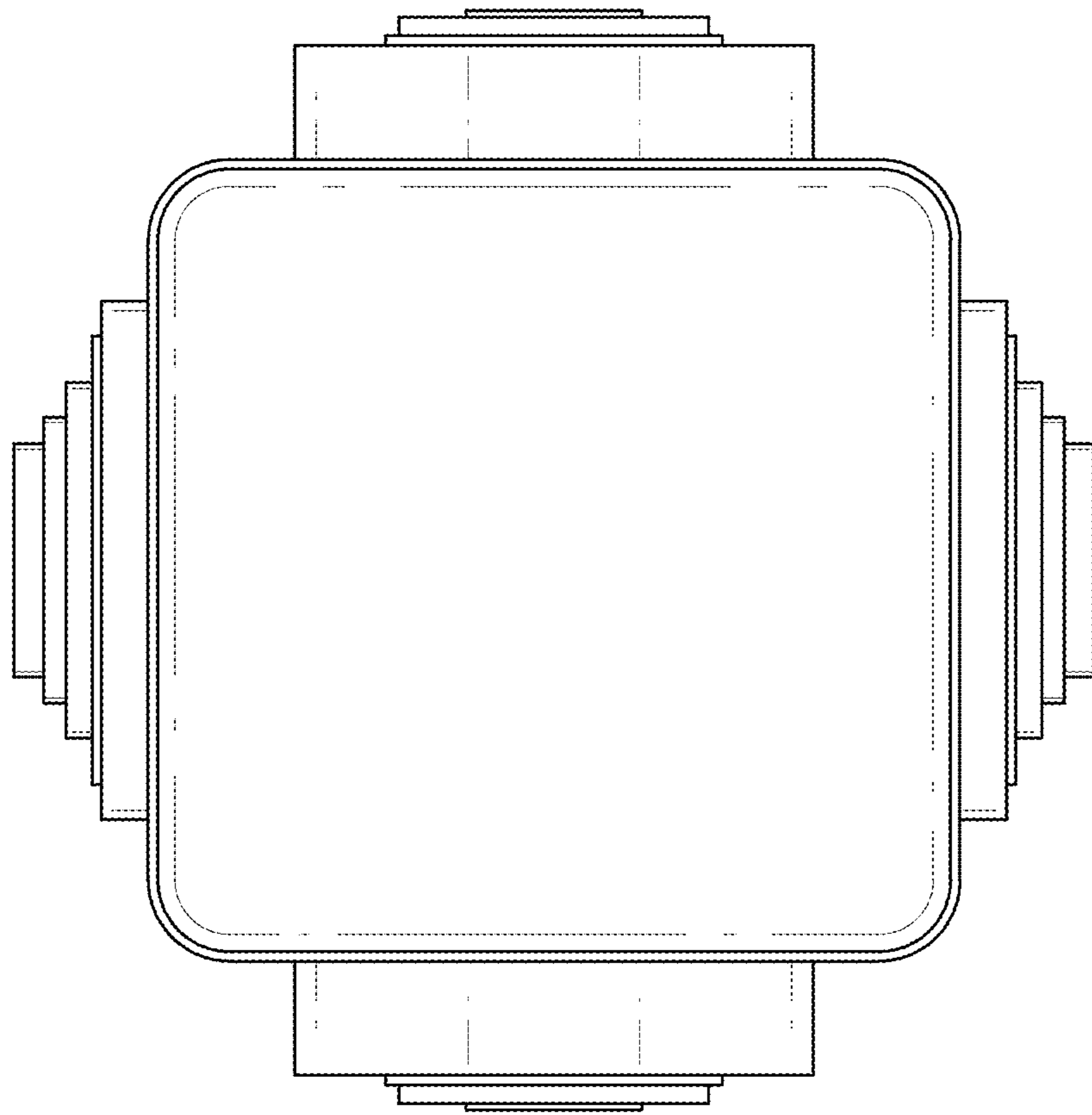


FIG. 3

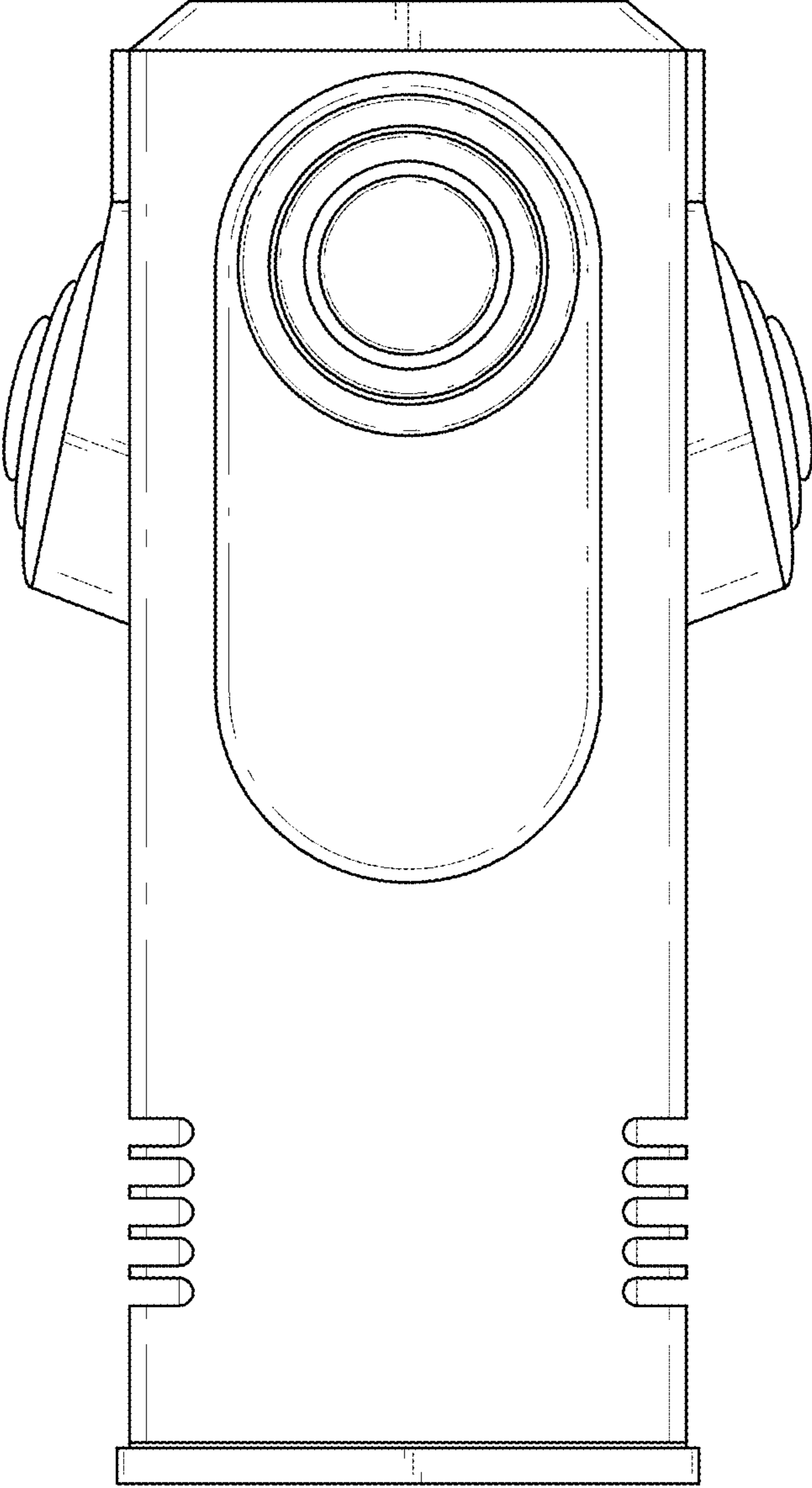


FIG. 4

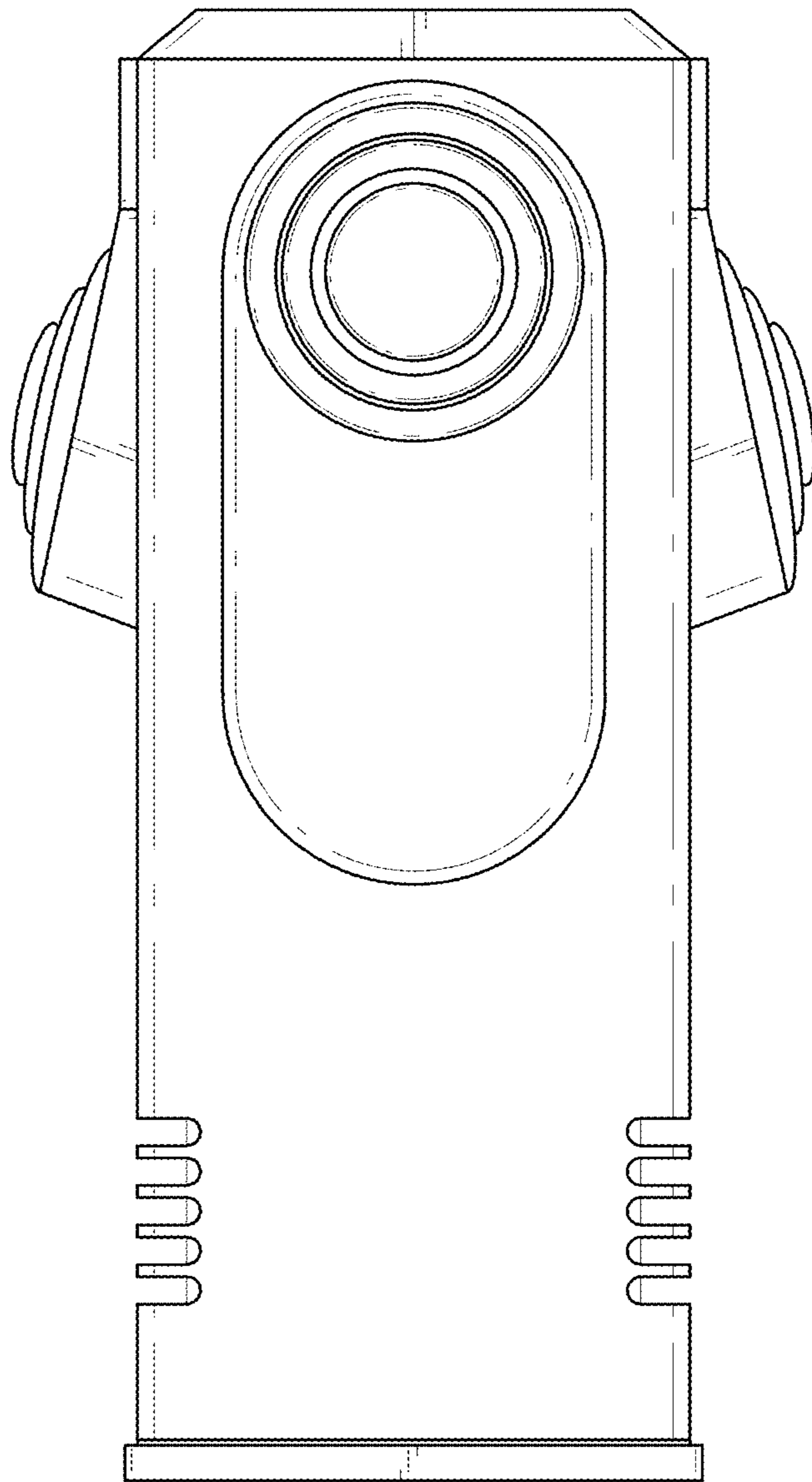


FIG. 5

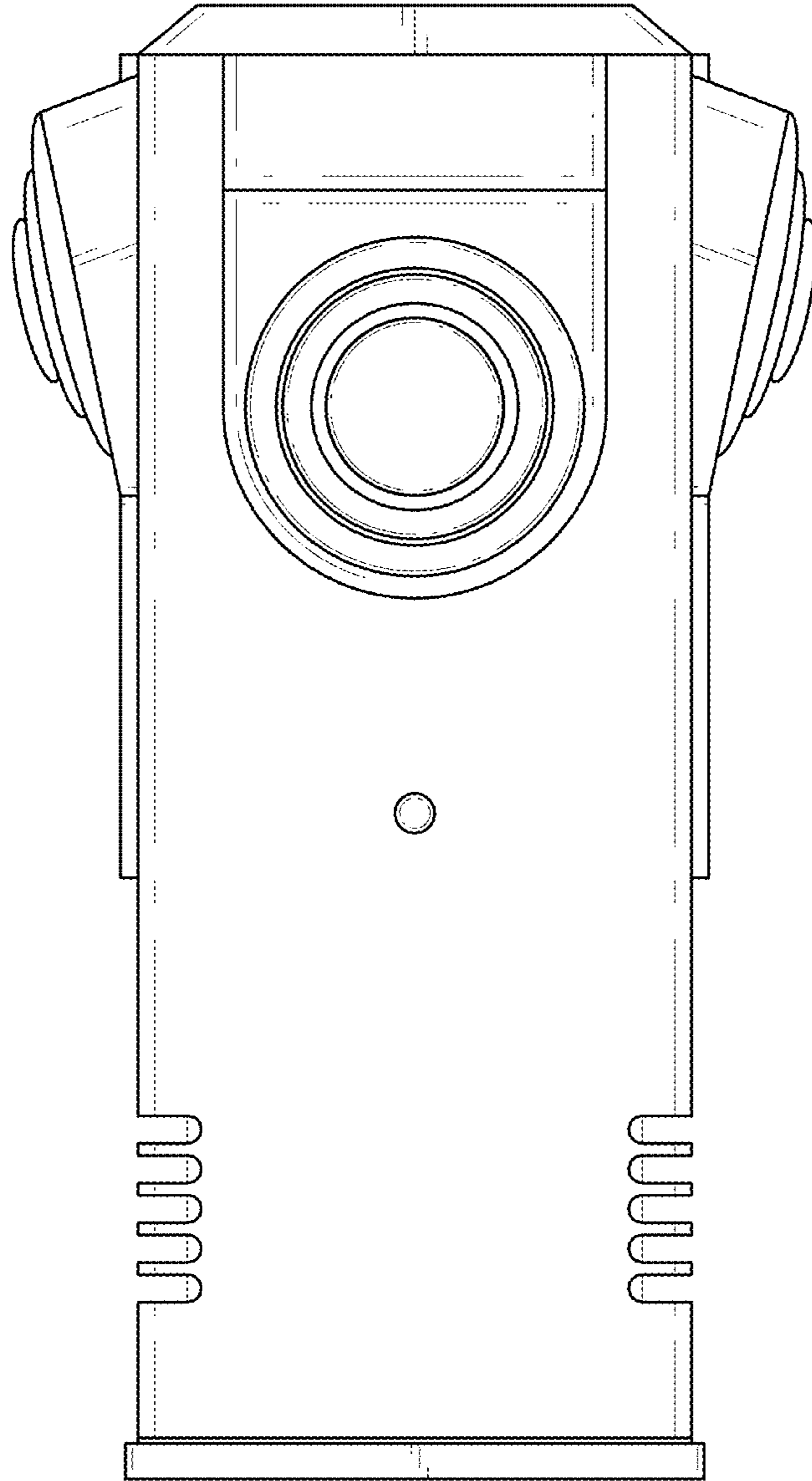


FIG. 6

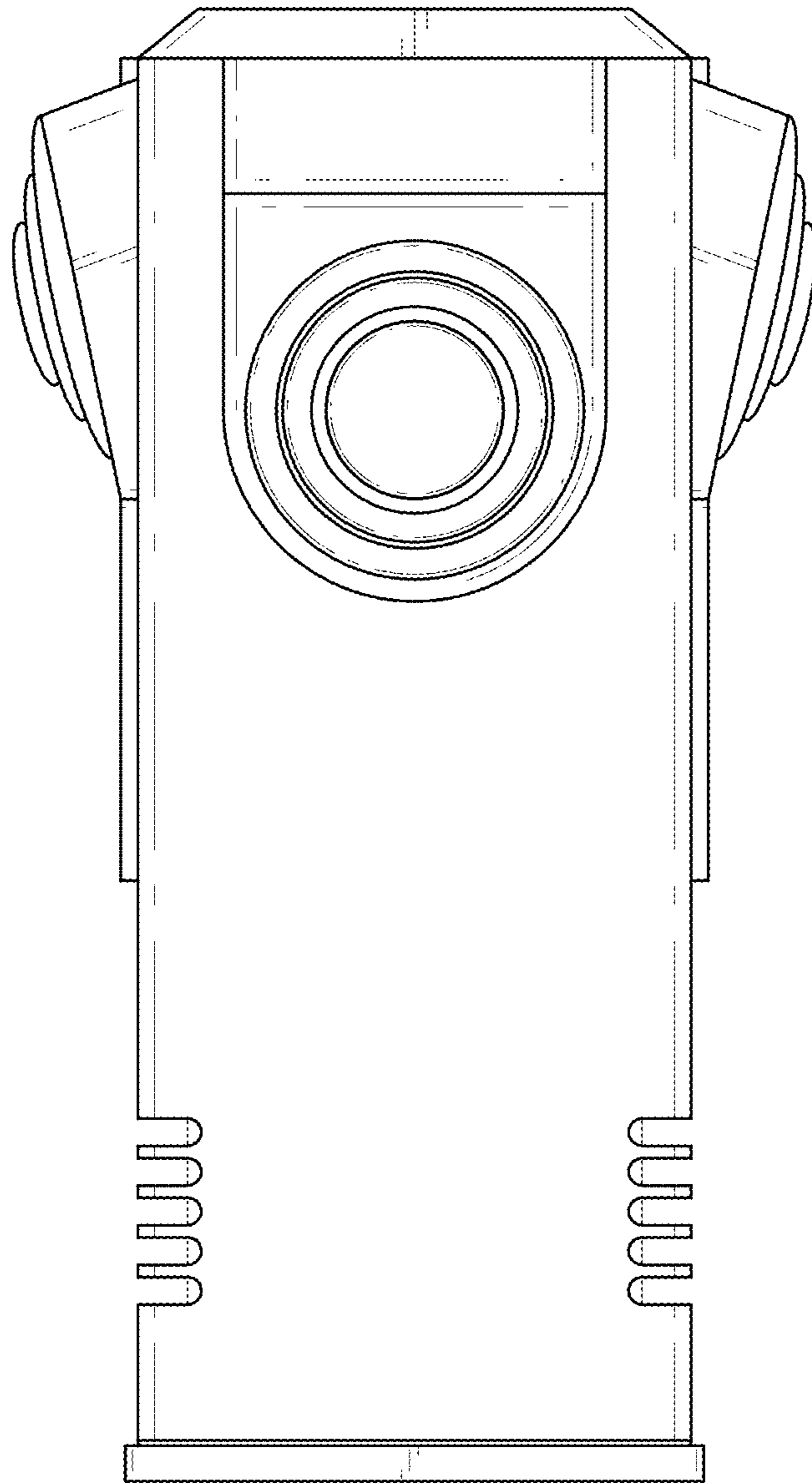


FIG. 7

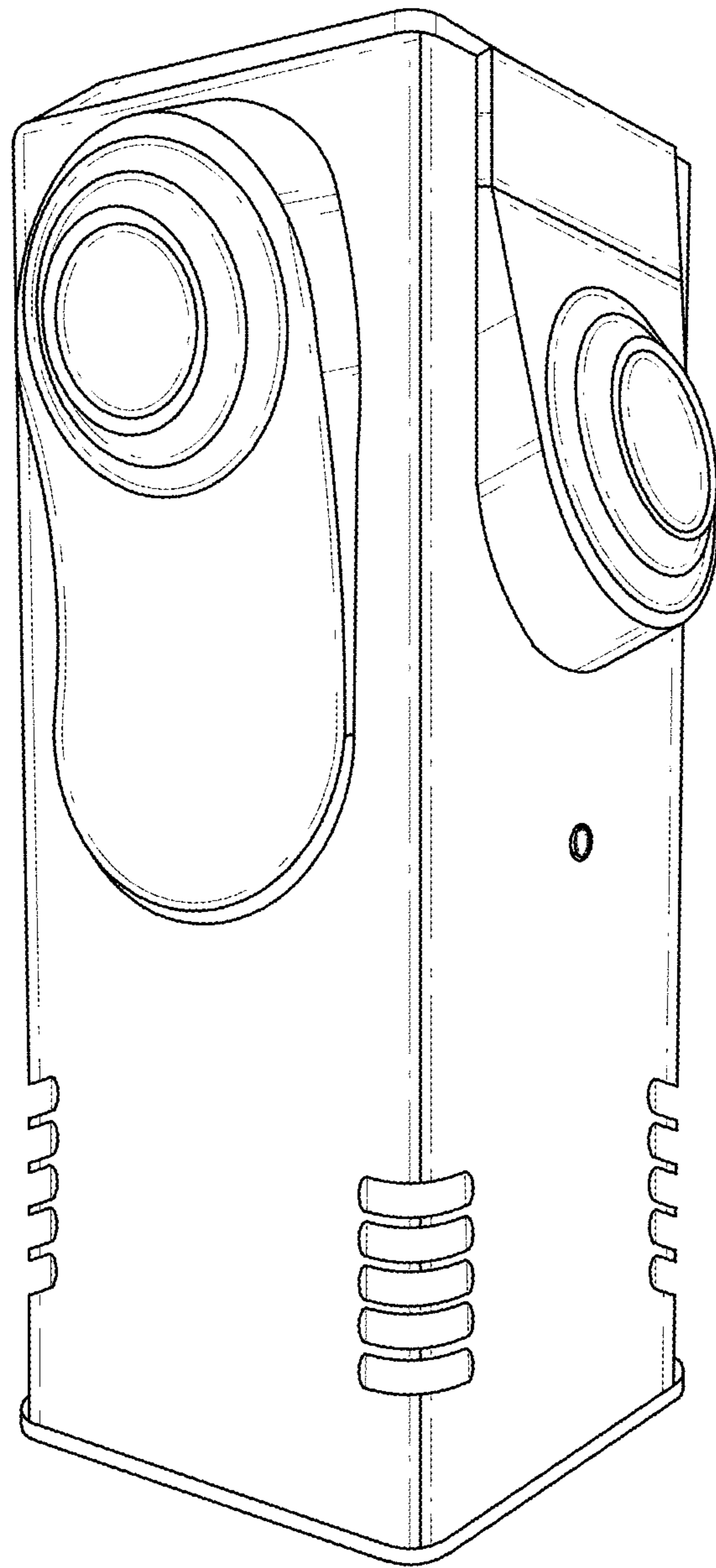


FIG. 8