



US00D831651S

(12) **United States Design Patent**  
**Bao**

(10) **Patent No.:** **US D831,651 S**  
(45) **Date of Patent:** **\*\* Oct. 23, 2018**

- (54) **MOUSE PHOTOTHERAPY LAMP**
- (71) Applicant: **Chengqiang Bao**, Guangdong (CN)
- (72) Inventor: **Chengqiang Bao**, Guangdong (CN)
- (\*\*) Term: **15 Years**
- (21) Appl. No.: **29/603,110**
- (22) Filed: **May 5, 2017**
- (51) **LOC (11) Cl.** ..... **14-02**
- (52) **U.S. Cl.**  
USPC ..... **D14/408**
- (58) **Field of Classification Search**  
USPC ..... D14/402-411, 356, 388, 389, 383-385,  
D14/417, 426; 345/156-167; 463/36-38;  
358/471, 473; 273/148 B  
CPC ..... G06F 3/03543; G06F 2203/0333; G06F  
3/039; G06F 3/038; G06F 2203/0384  
See application file for complete search history.

(56) **References Cited**

**U.S. PATENT DOCUMENTS**

- D491,184 S \* 6/2004 Shimizu ..... D14/402
- D580,938 S \* 11/2008 Simonian ..... D14/402
- D581,416 S \* 11/2008 Simonian ..... D14/402

- D591,300 S \* 4/2009 Hong ..... D14/402
- D591,749 S \* 5/2009 Huang ..... D14/402
- D624,917 S \* 10/2010 Andre ..... D14/408
- D648,724 S \* 11/2011 Andre ..... D14/408
- D667,408 S \* 9/2012 Lim ..... D14/408
- D676,849 S \* 2/2013 Kujawski ..... D14/408
- D686,210 S \* 7/2013 Andre ..... D14/408
- D729,246 S \* 5/2015 Andre ..... D14/408
- D766,243 S \* 9/2016 Andre ..... D14/408
- D782,480 S \* 3/2017 Nalbandian ..... D14/408

\* cited by examiner

*Primary Examiner* — Austin Murphy

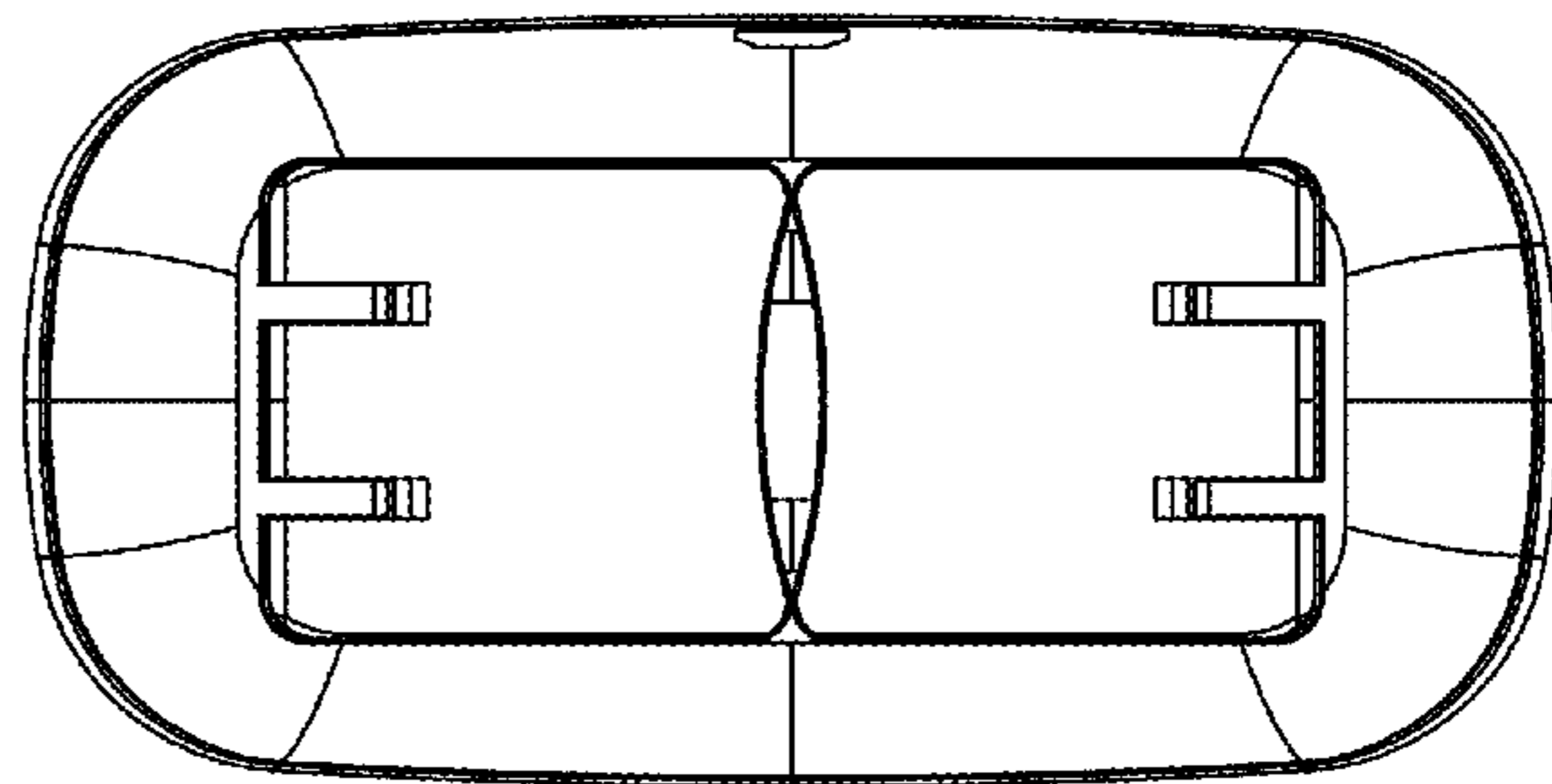
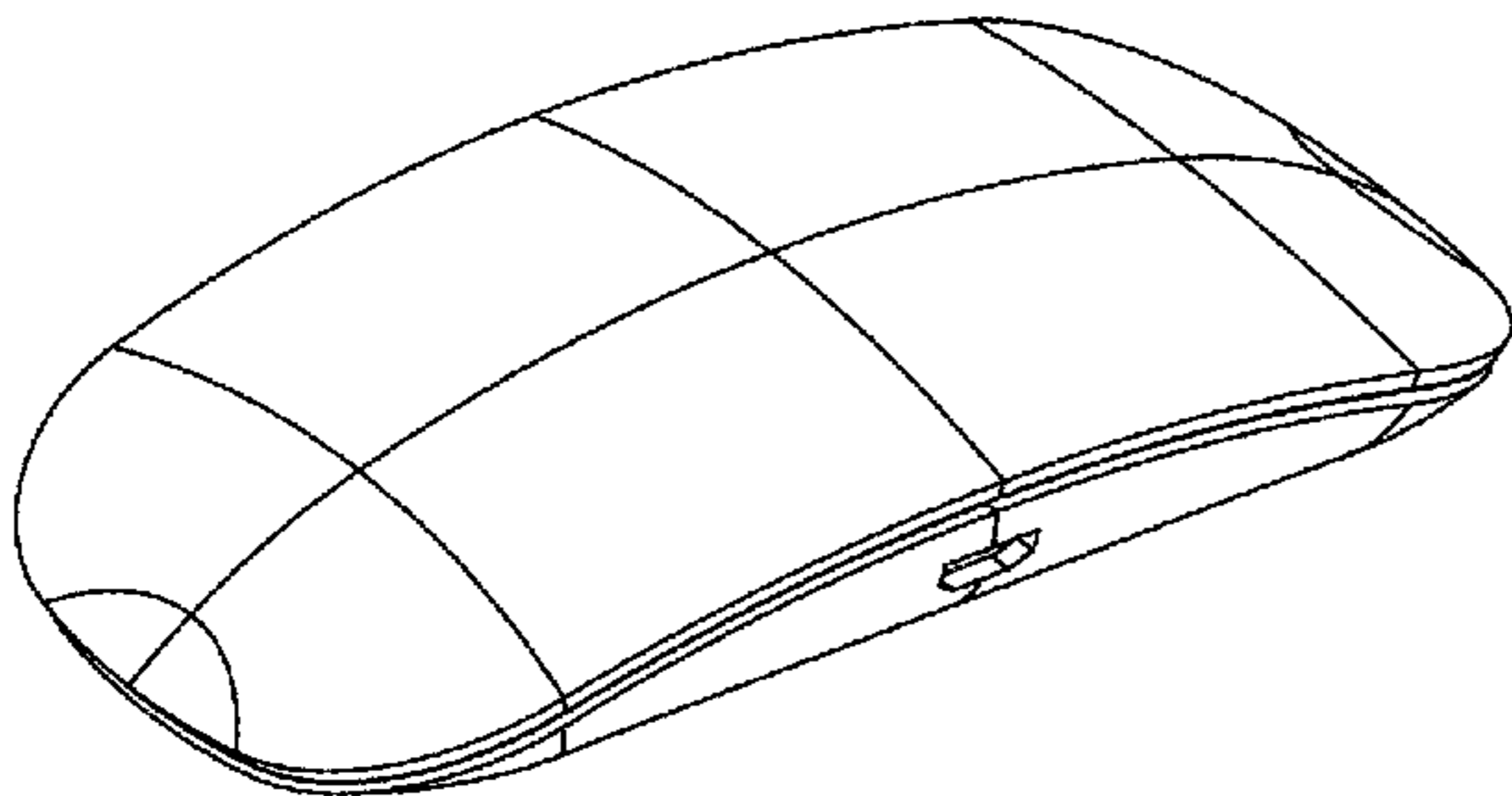
(57) **CLAIM**

The ornamental design for mouse phototherapy lamp, as shown and described.

**DESCRIPTION**

FIG. 1 is a perspective view of mouse phototherapy lamp showing my new design;  
 FIG. 2 is a front elevational view thereof;  
 FIG. 3 is a rear elevational view thereof;  
 FIG. 4 is a left side elevational view thereof;  
 FIG. 5 is a right side elevational view thereof;  
 FIG. 6 is a top plan view thereof; and,  
 FIG. 7 is a bottom plan view thereof.

**1 Claim, 7 Drawing Sheets**



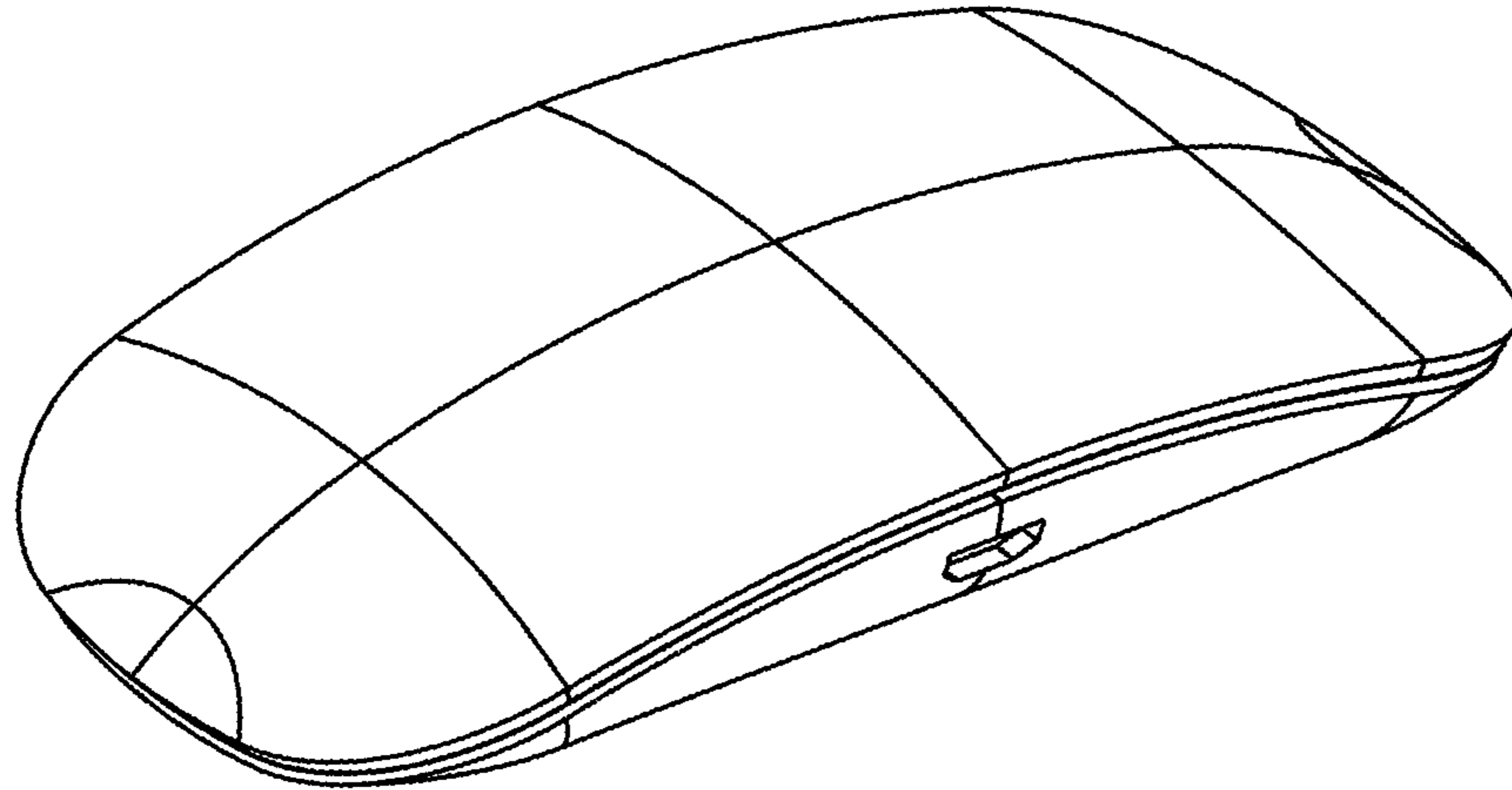


FIG.1

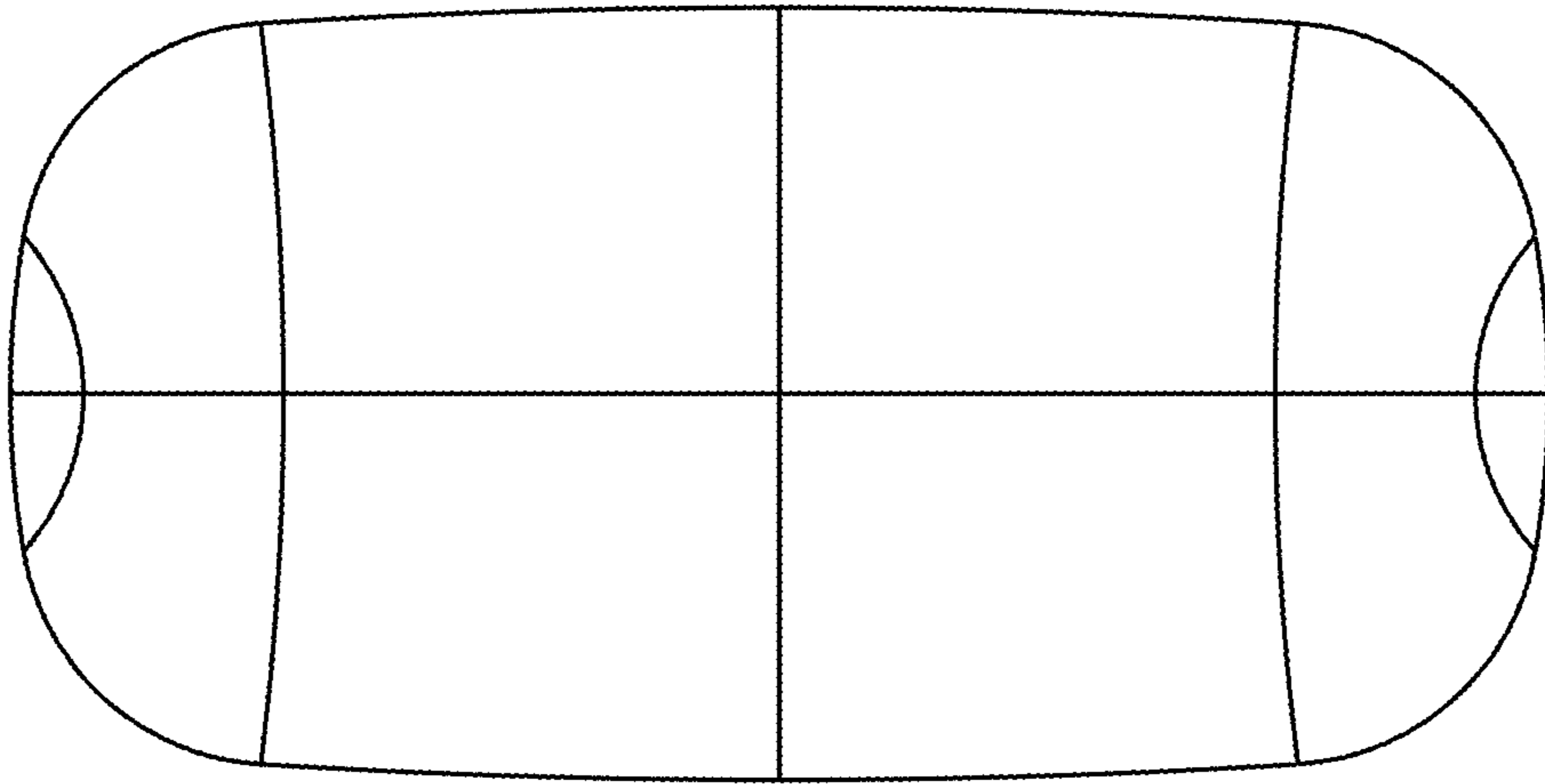


FIG.2

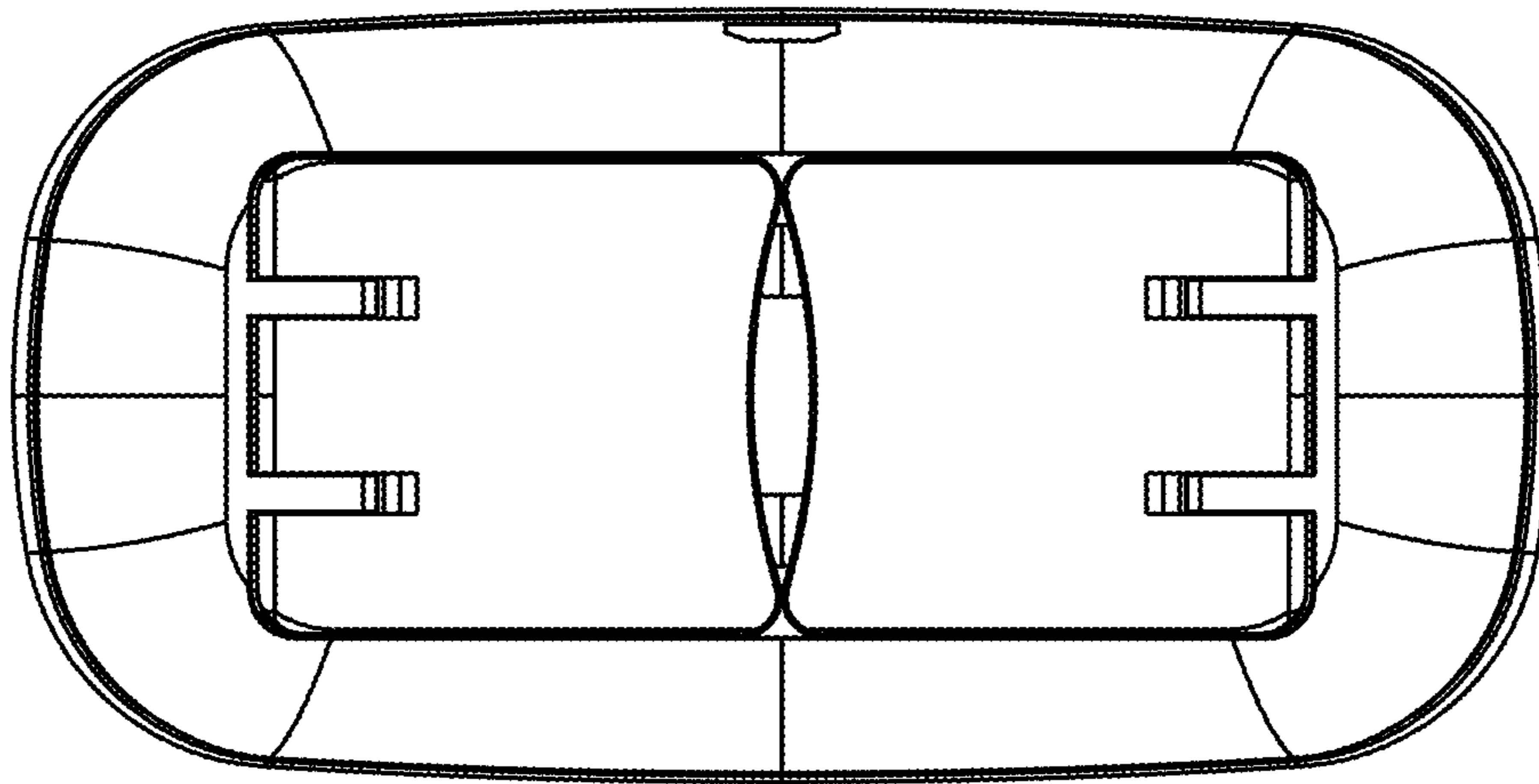


FIG.3

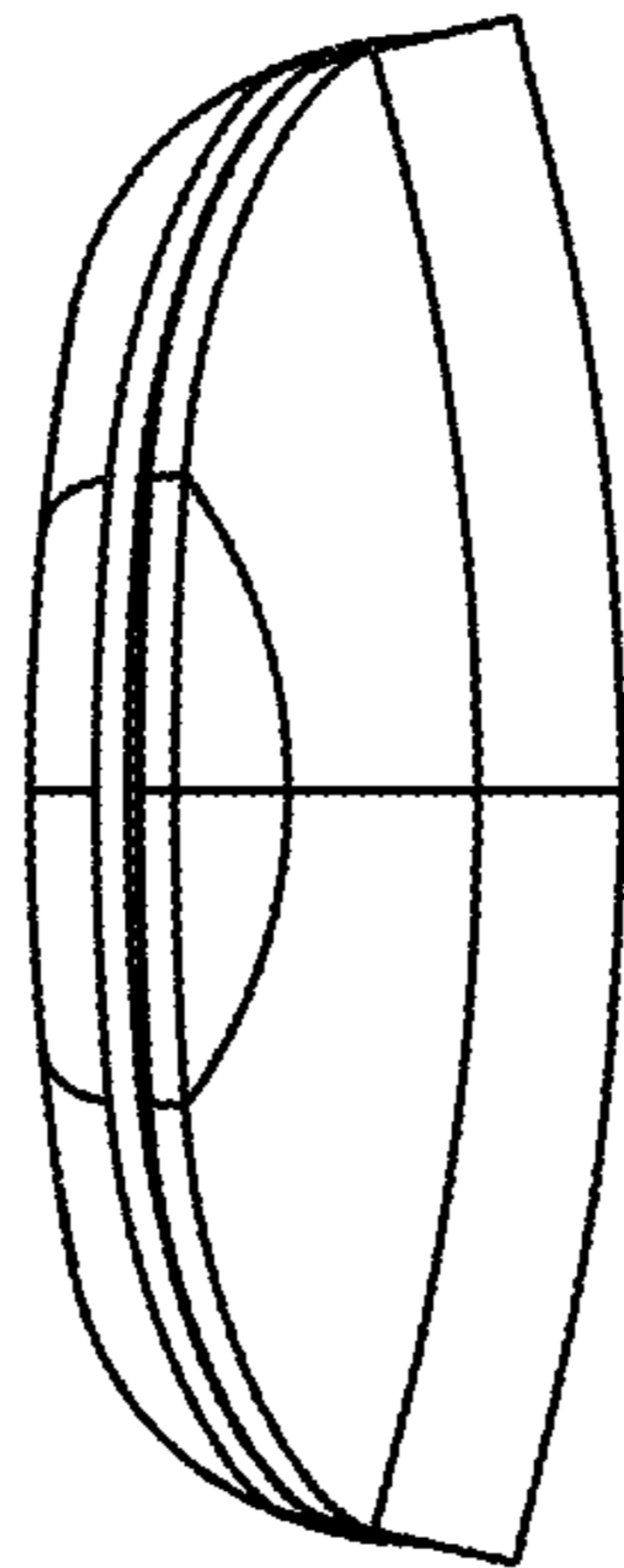


FIG. 4

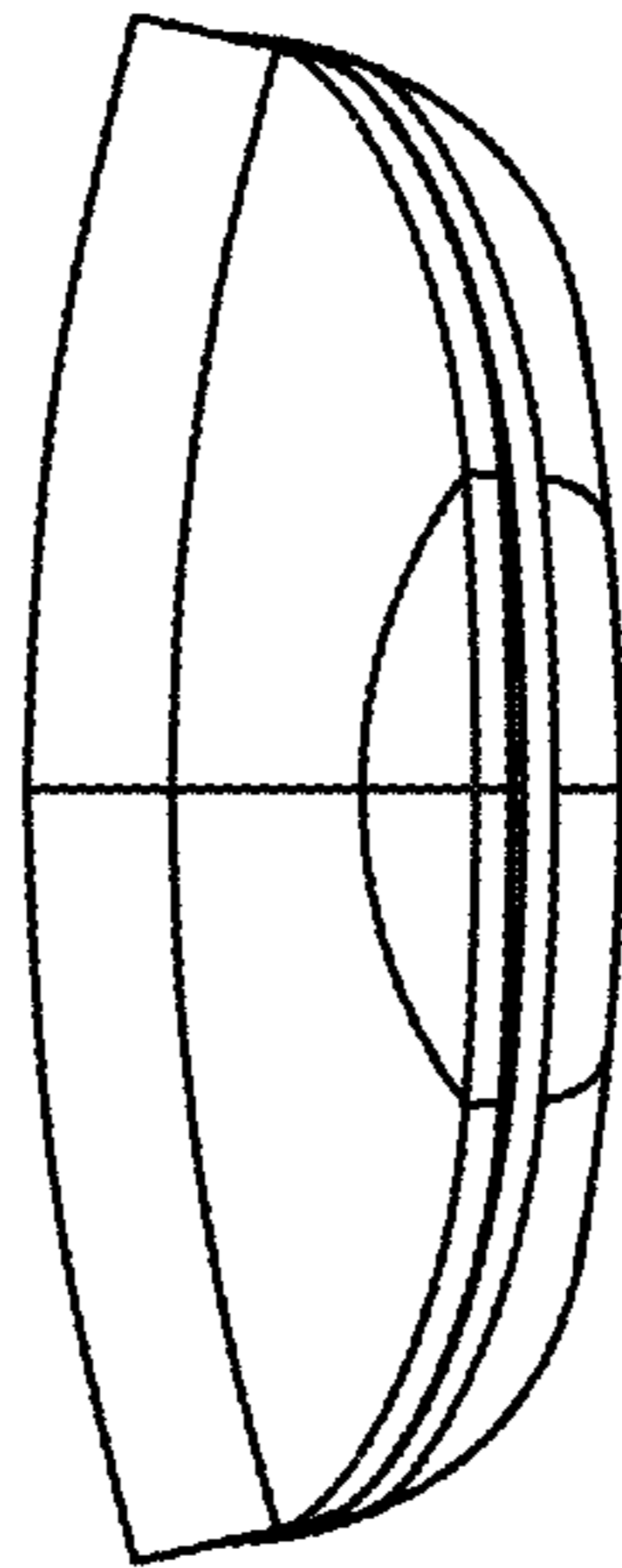


FIG.5

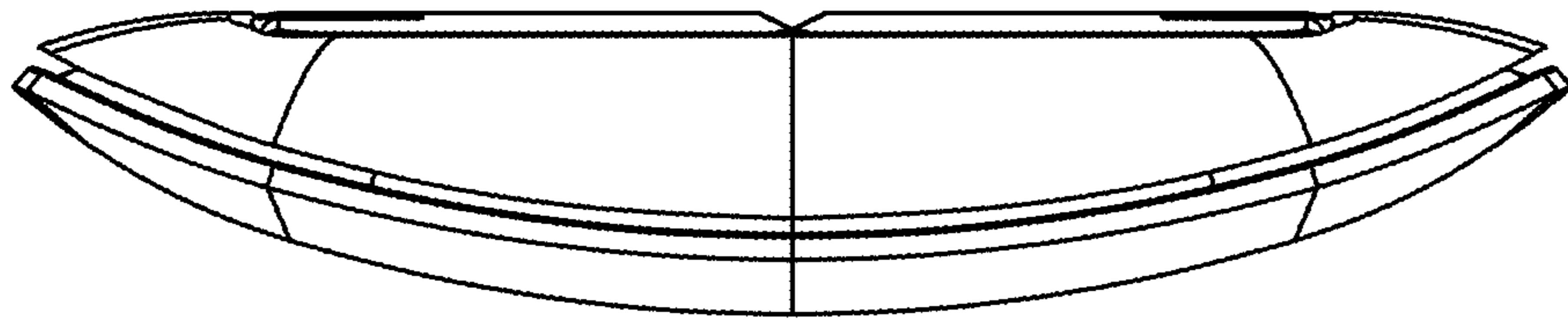


FIG. 6

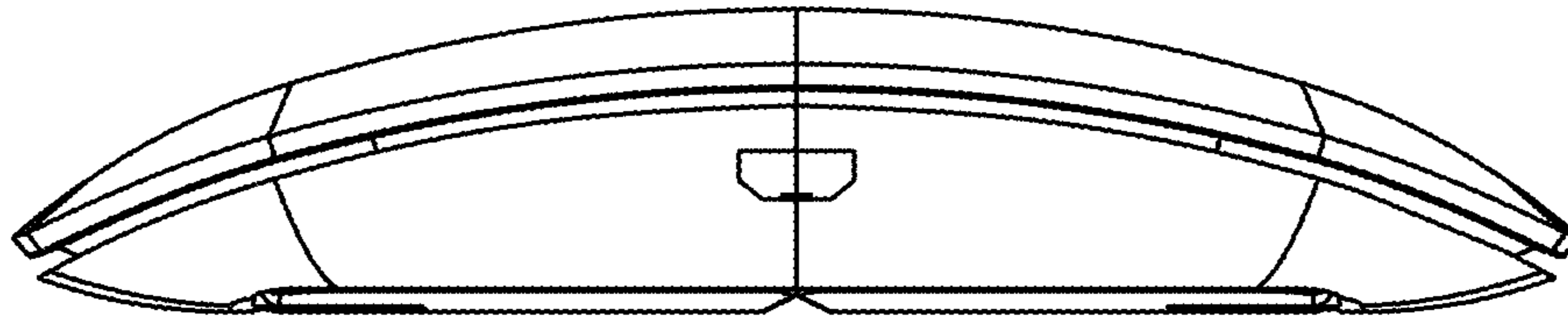


FIG.7