



US00D831650S

(12) **United States Design Patent**  
**Lu**

(10) **Patent No.:** **US D831,650 S**  
(45) **Date of Patent:** **\*\* Oct. 23, 2018**

(54) **COMPUTER MOUSE**  
(71) Applicant: **Hang Lu**, Chongqing (CN)  
(72) Inventor: **Hang Lu**, Chongqing (CN)  
(73) Assignee: **Eastern Times Technology Co., Ltd**,  
Dongguan (CN)  
(\*\*) Term: **15 Years**

D665,391 S *	8/2012	Kujawski	.....	D14/402
D665,392 S *	8/2012	Jost	.....	D14/409
D667,409 S *	9/2012	Kujawski	.....	D14/409
D688,245 S *	8/2013	Guerra	.....	D14/409
D688,664 S *	8/2013	Guerra	.....	D14/409
D762,646 S *	8/2016	Chong	.....	D14/409
D768,633 S *	10/2016	Helwig	.....	D14/402
D792,882 S *	7/2017	Helwig	.....	D14/402
D793,394 S *	8/2017	Li	.....	D14/409
D813,869 S *	3/2018	Hu	.....	D14/402

\* cited by examiner

(21) Appl. No.: **29/603,152**  
(22) Filed: **May 7, 2017**  
(51) **LOC (11) Cl.** ..... **14-02**  
(52) **U.S. Cl.**  
USPC ..... **D14/402**  
(58) **Field of Classification Search**  
USPC ..... D14/402-411, 356, 388, 389, 383-385,  
D14/417, 426; 345/156-167; 463/36-38;  
358/471, 473; 273/148 B  
CPC ..... G06F 3/03543; G06F 2203/0333; G06F  
3/039; G06F 3/038; G06F 2203/0384  
See application file for complete search history.

*Primary Examiner* — Austin Murphy  
(74) *Attorney, Agent, or Firm* — Minder Law Group;  
Willy H. Wong

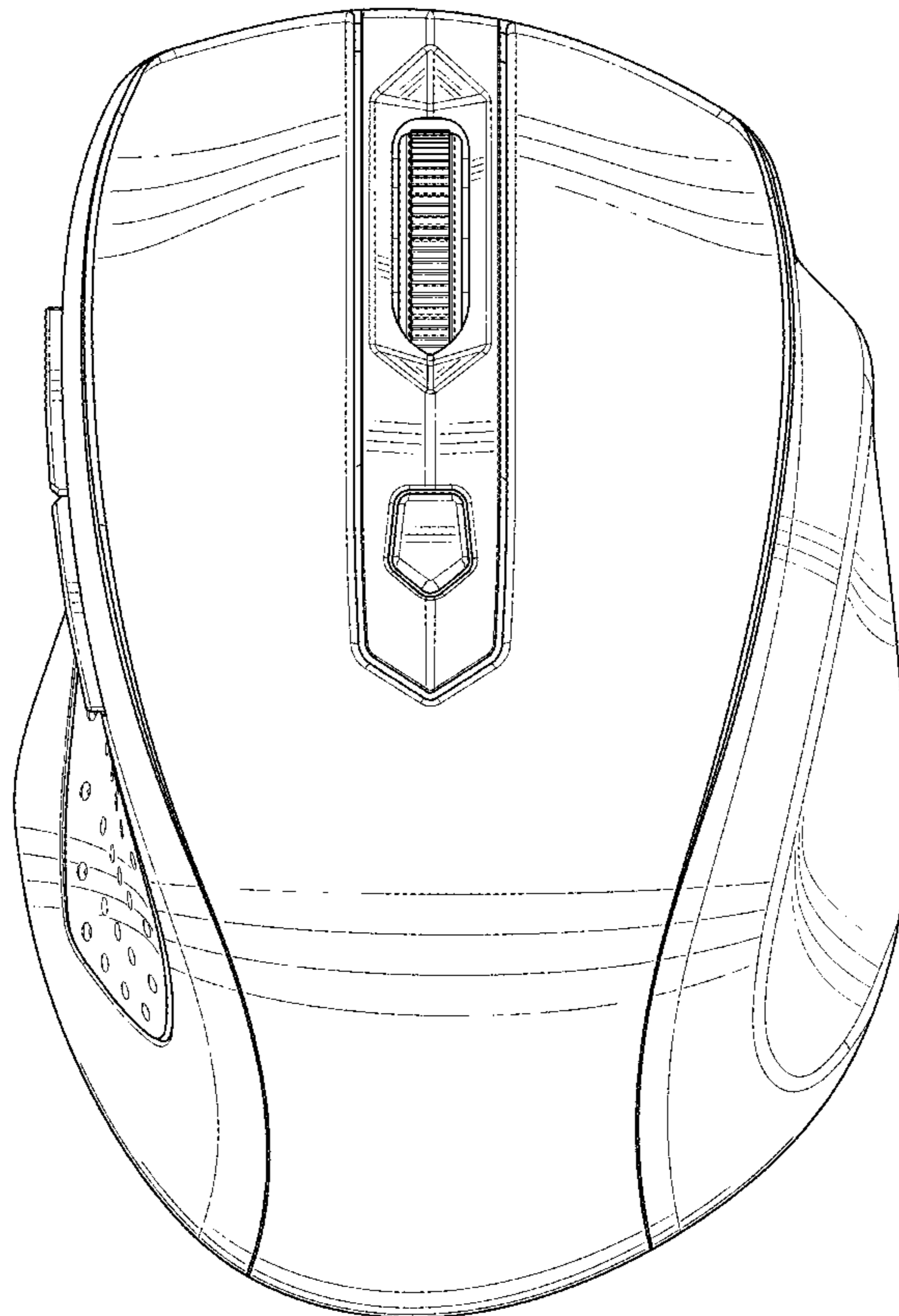
(57) **CLAIM**  
The design for a computer mouse, as shown and described.

**DESCRIPTION**

FIG. 1 is a top view of a computer mouse showing our new design;  
FIG. 2 is a bottom view thereof;  
FIG. 3 is a front view thereof;  
FIG. 4 is a back view thereof;  
FIG. 5 is a left side view thereof; and,  
FIG. 6 is a right side view thereof.  
The broken lines show portions of the computer mouse and form no part of the claimed design.

(56) **References Cited**  
U.S. PATENT DOCUMENTS  
D581,417 S \* 11/2008 Huang ..... D14/402  
D654,918 S \* 2/2012 Cheng ..... D14/402

**1 Claim, 6 Drawing Sheets**



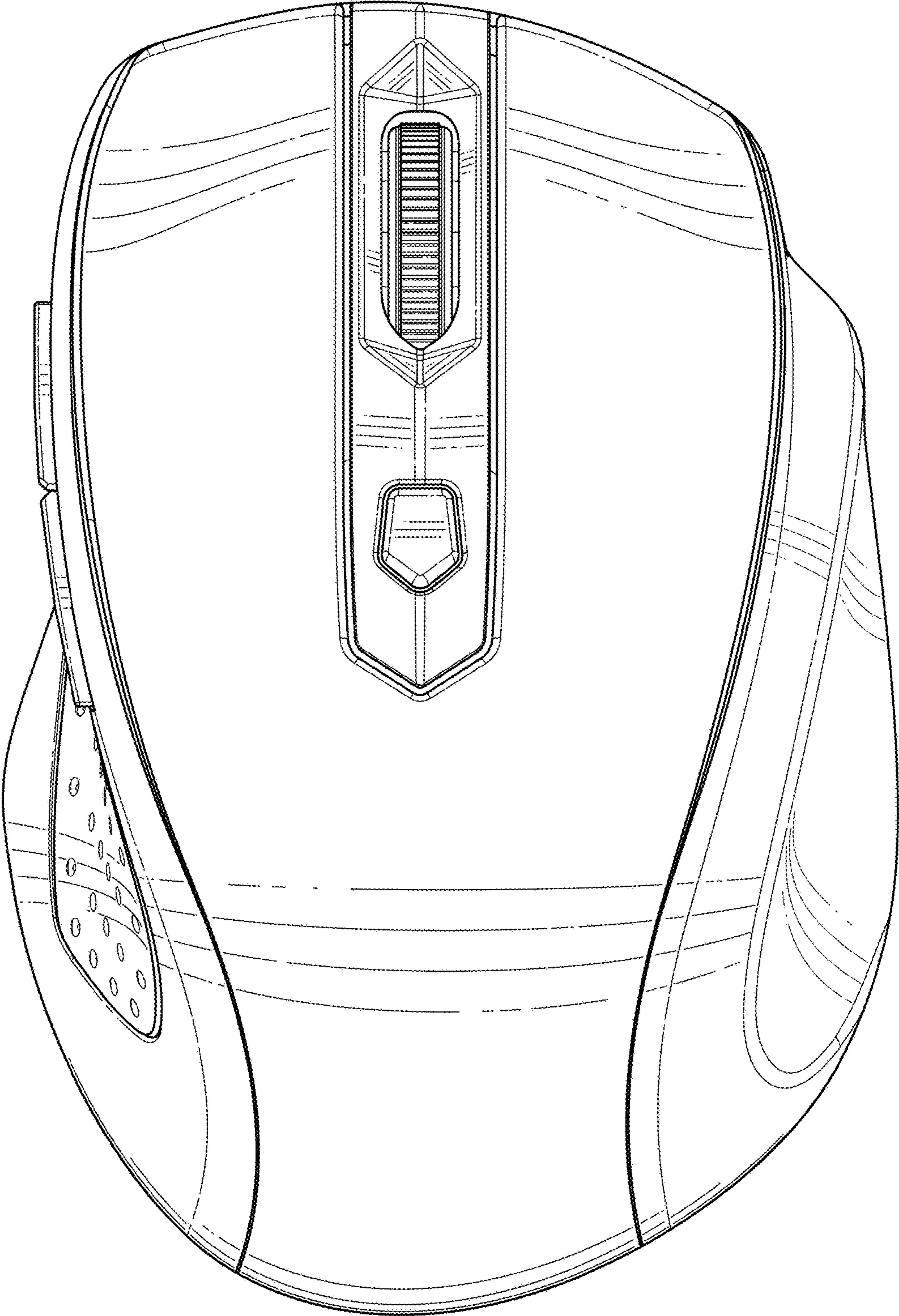


FIG. 1

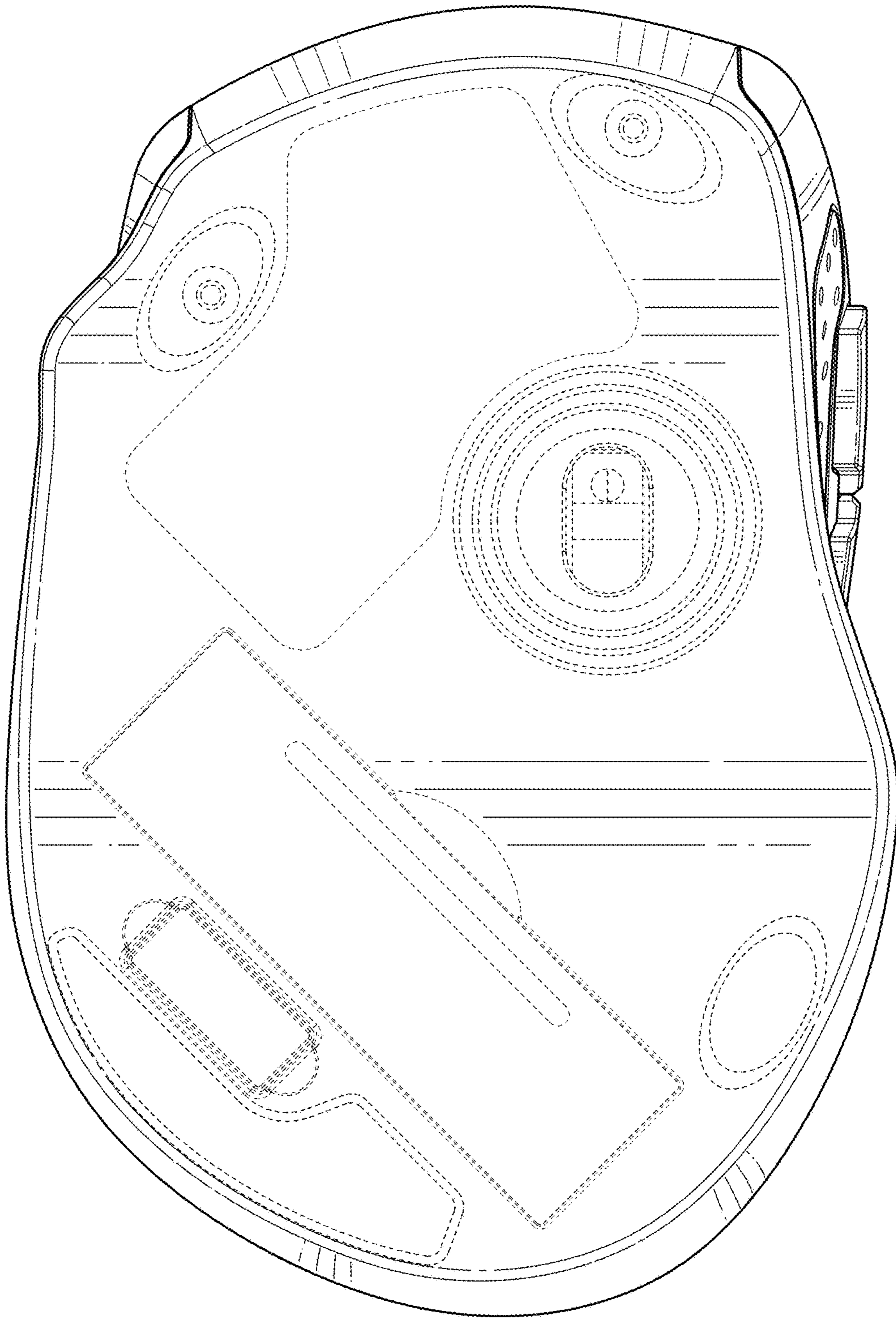


FIG. 2

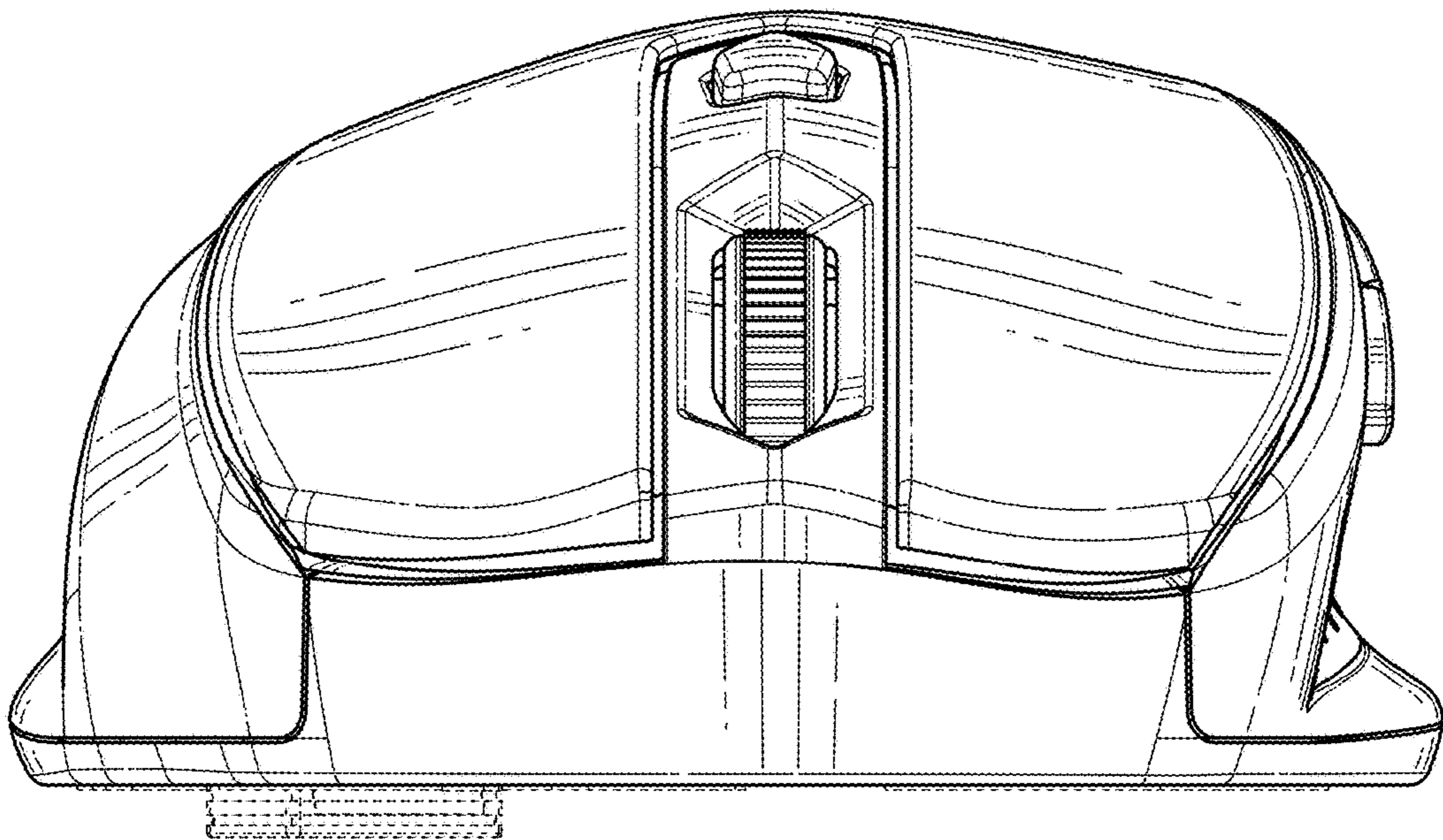


FIG. 3

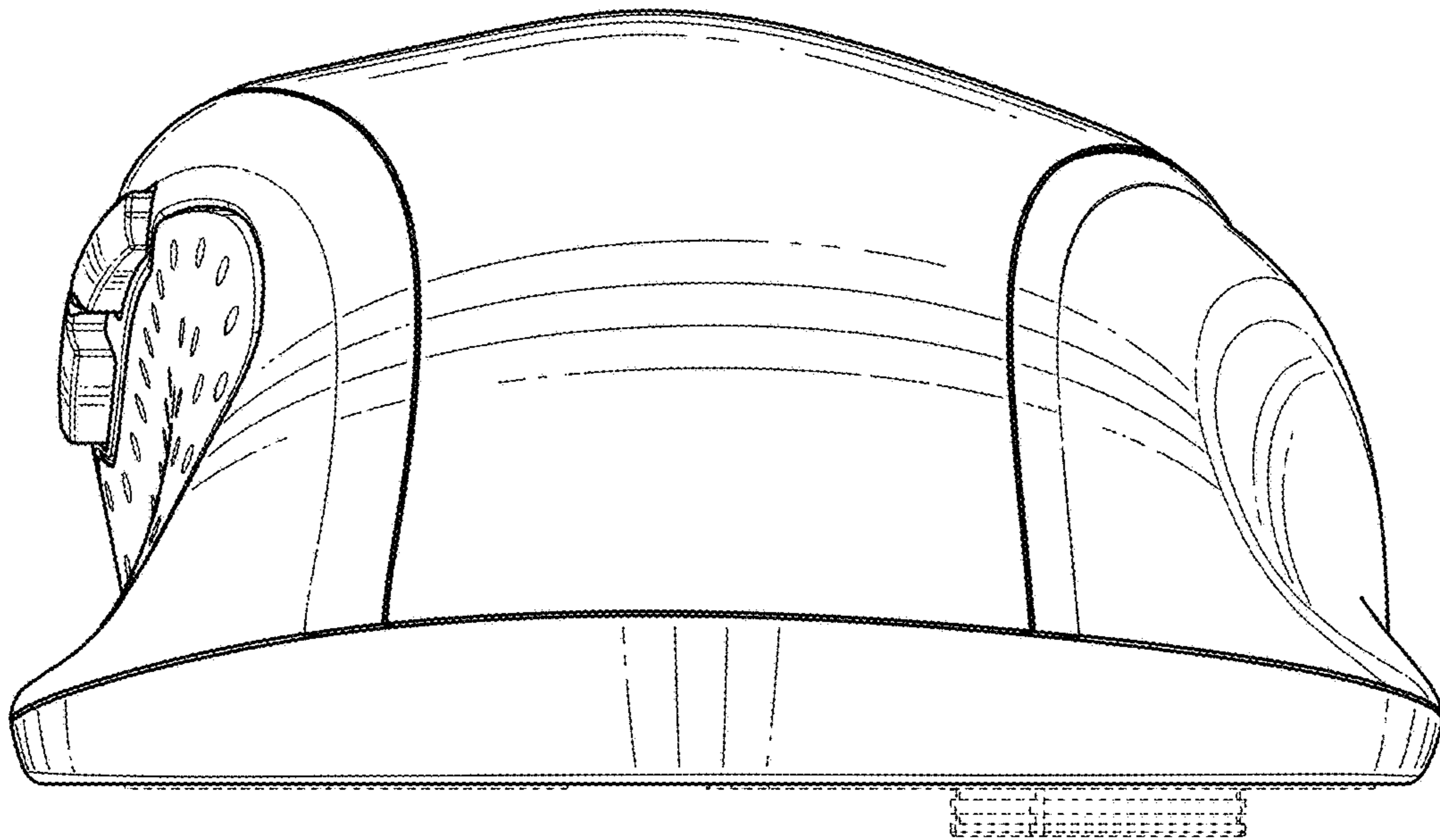


FIG. 4

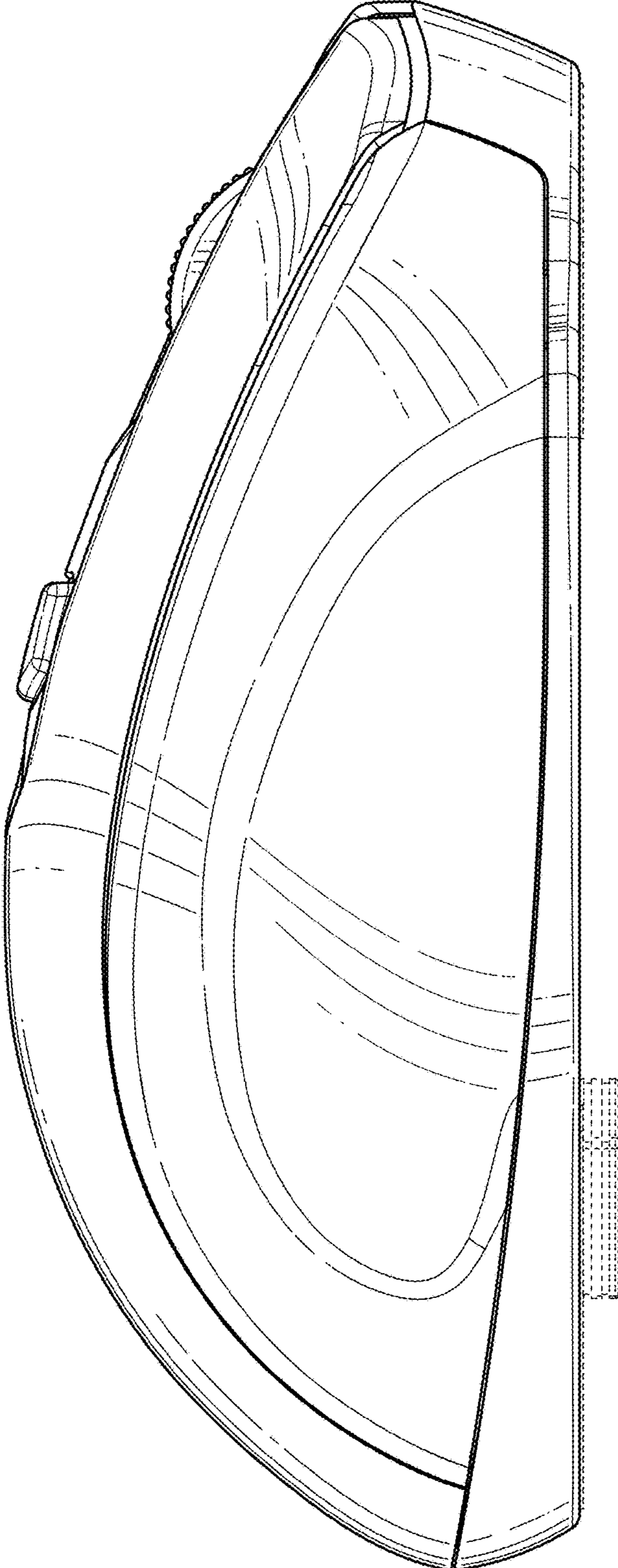


FIG. 5

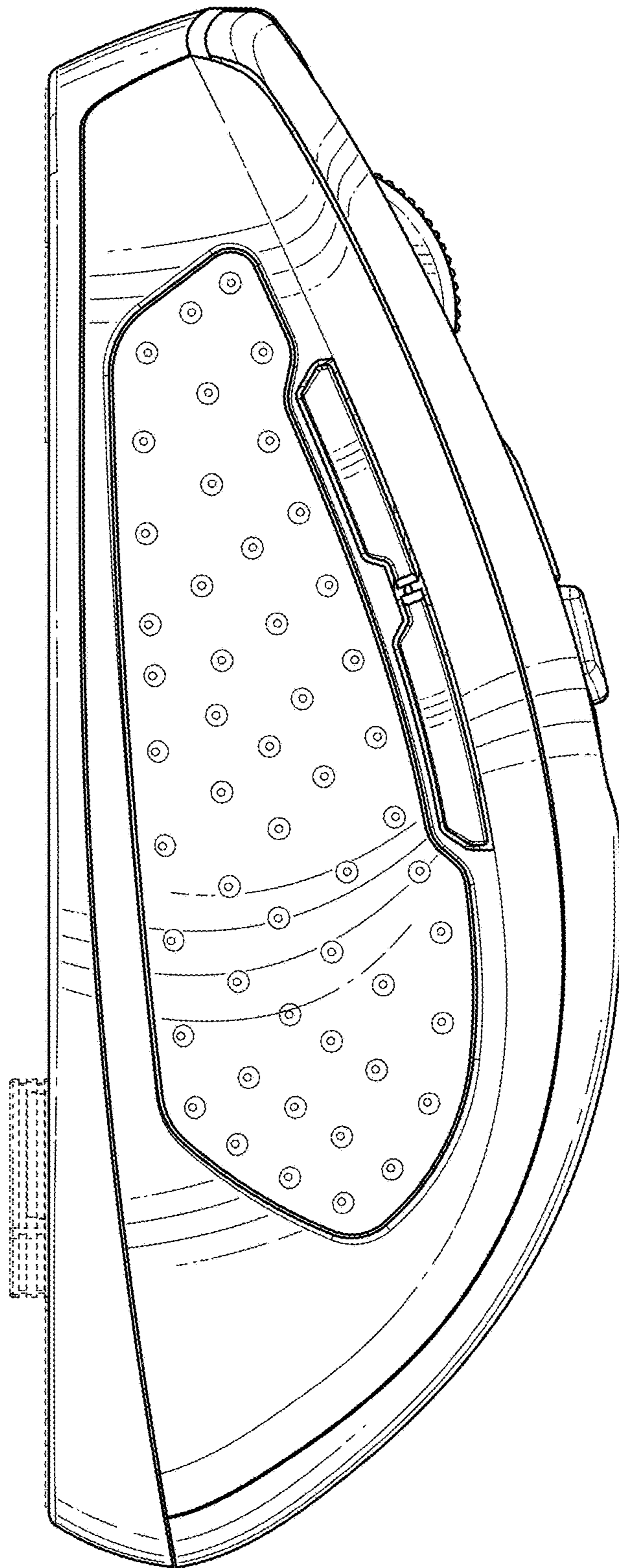


FIG. 6