

US00D831647S

(12) **United States Design Patent** (10) **Patent No.:** **US D831,647 S**  
**Woo et al.** (45) **Date of Patent:** **\*\* Oct. 23, 2018**

(54) **MONITOR DATA PROCESSING**

(56) **References Cited**

(71) Applicant: **LG ELECTRONICS INC.**, Seoul (KR)

U.S. PATENT DOCUMENTS

(72) Inventors: **Gangho Woo**, Seoul (KR); **Jaeneung Jung**, Seoul (KR)

D643,389 S *	8/2011	Lee	.....	D14/126
D664,940 S *	8/2012	Kim	.....	D14/126
D669,870 S *	10/2012	Kim	.....	D14/126
D717,754 S *	11/2014	Kim	.....	D14/126
D790,542 S *	6/2017	Jung	.....	D14/374
D791,132 S *	7/2017	Oh	.....	D14/374
D795,850 S *	8/2017	Choi	.....	D14/126
D796,463 S *	9/2017	So	.....	D14/126
D817,330 S *	5/2018	Ho	.....	D14/374
D817,900 S *	5/2018	So	.....	D14/126
D819,028 S *	5/2018	Seo	.....	D14/374
D819,616 S *	6/2018	So	.....	D14/239
D820,229 S *	6/2018	Cha	.....	D14/126

(73) Assignee: **LG ELECTRONICS INC.**, Seoul (KR)

(\*\*) Term: **15 Years**

(21) Appl. No.: **35/503,735**

(22) Filed: **Mar. 27, 2017**

\* cited by examiner

(80) **Hague Agreement Data**

*Primary Examiner* — Michael A. Pratt

Int. Filing Date: **Mar. 27, 2017**

(74) *Attorney, Agent, or Firm* — Birch, Stewart, Kolasch & Birch, LLP

Int. Reg. No.: **DM/096890**

Int. Reg. Date: **Mar. 27, 2017**

Int. Reg. Pub. Date: **Sep. 29, 2017**

(57) **CLAIM**

The ornamental design for a monitor data processing, as shown and described.

(30) **Foreign Application Priority Data**

**DESCRIPTION**

Sep. 29, 2016 (KR) ..... 30-2016-0047033

(51) **LOC (11) Cl.** ..... **14-02**

(52) **U.S. Cl.**  
USPC ..... **D14/374**

(58) **Field of Classification Search**  
USPC ..... D14/371-375, 125-129, 336, 337;  
D20/10

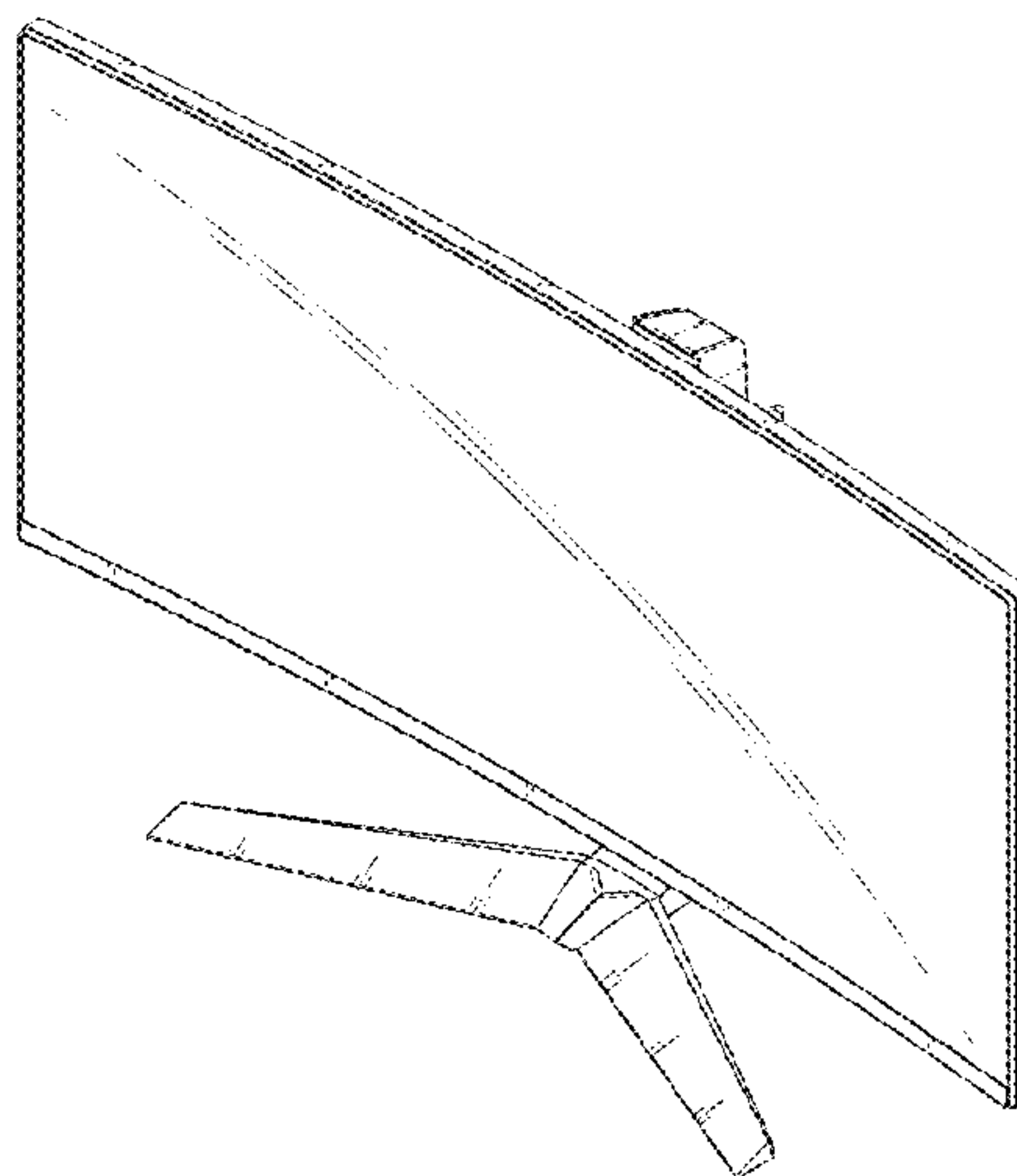
CPC ..... G09F 15/0025; G09F 15/0062; G09F 15/0068; G06F 1/16; G06F 1/1613; G06F 1/133308; G06F 1/1601; G06F 3/037; G06F 1/162; F16M 11/02; F16M 11/10; F16M 11/00; F16M 11/06; F16M 11/18; F16M 11/045; F16M 11/105; F16M 11/041; F16M 11/126; F16M 11/04; F16M 11/24; F16M 13/02; A47F 5/00

See application file for complete search history.

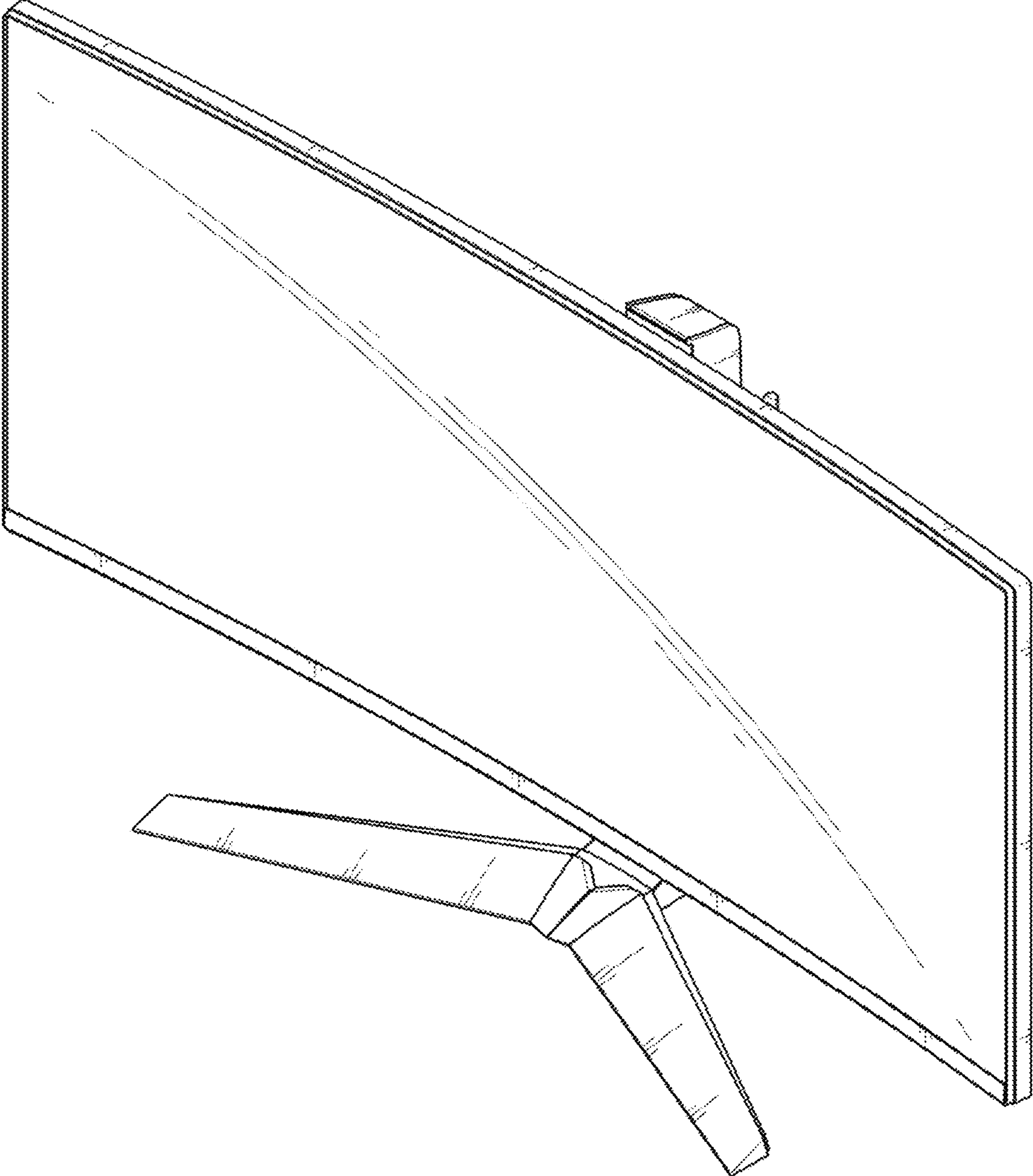
- 1. Monitor data processing
- 1.1 : Perspective
- 1.2 : Front
- 1.3 : Back
- 1.4 : Left
- 1.5 : Right
- 1.6 : Top
- 1.7 : Bottom

The present ornamental design is a combination of the shape and pattern of a monitor data processing as shown and described; the broken lines indicate unclaimed portions of the article that form no part of the claimed design; the fine parallel and curved lines, shown in all the drawings, indicate the relief of the surfaces of the product.

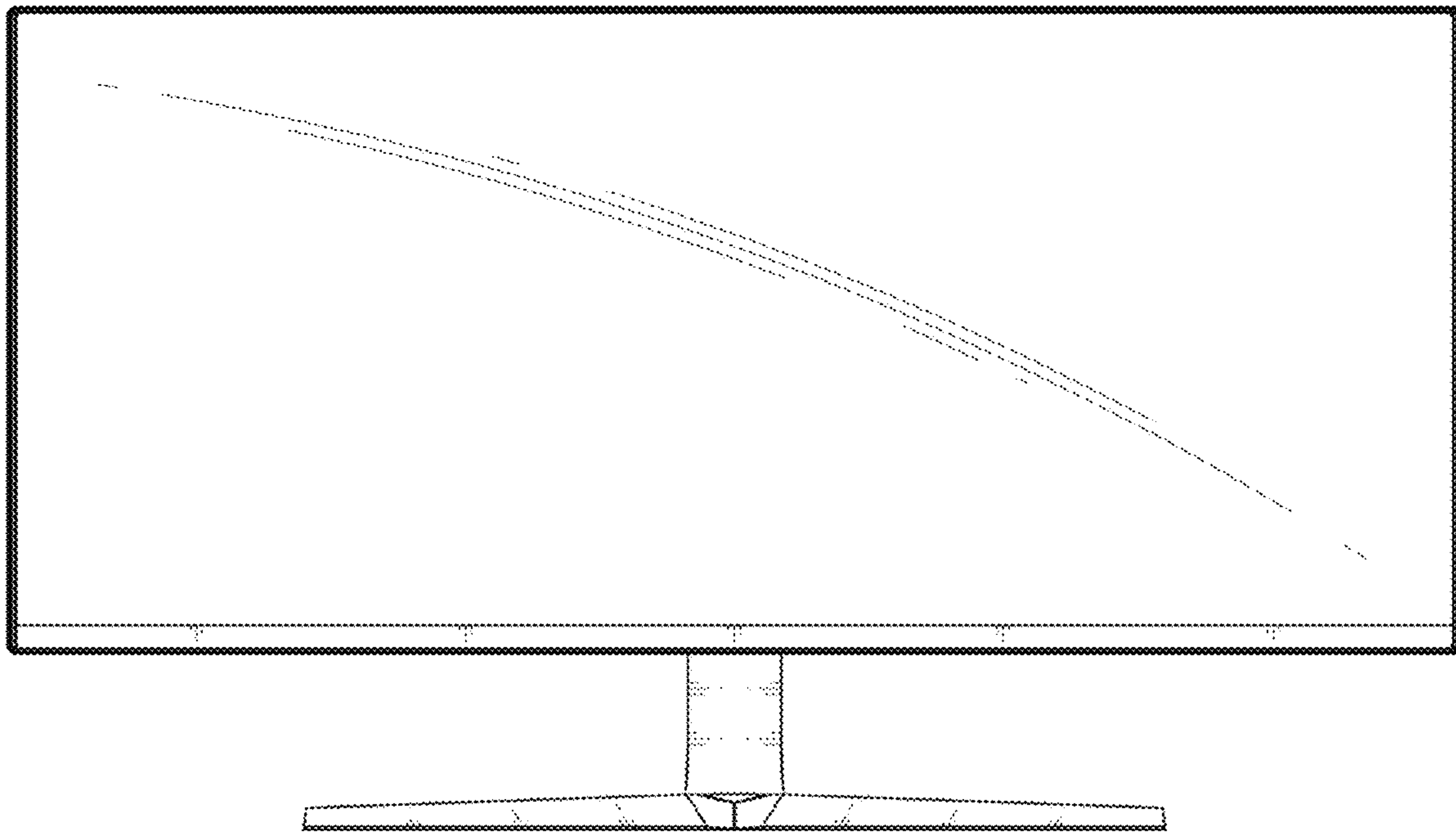
**1 Claim, 7 Drawing Sheets**



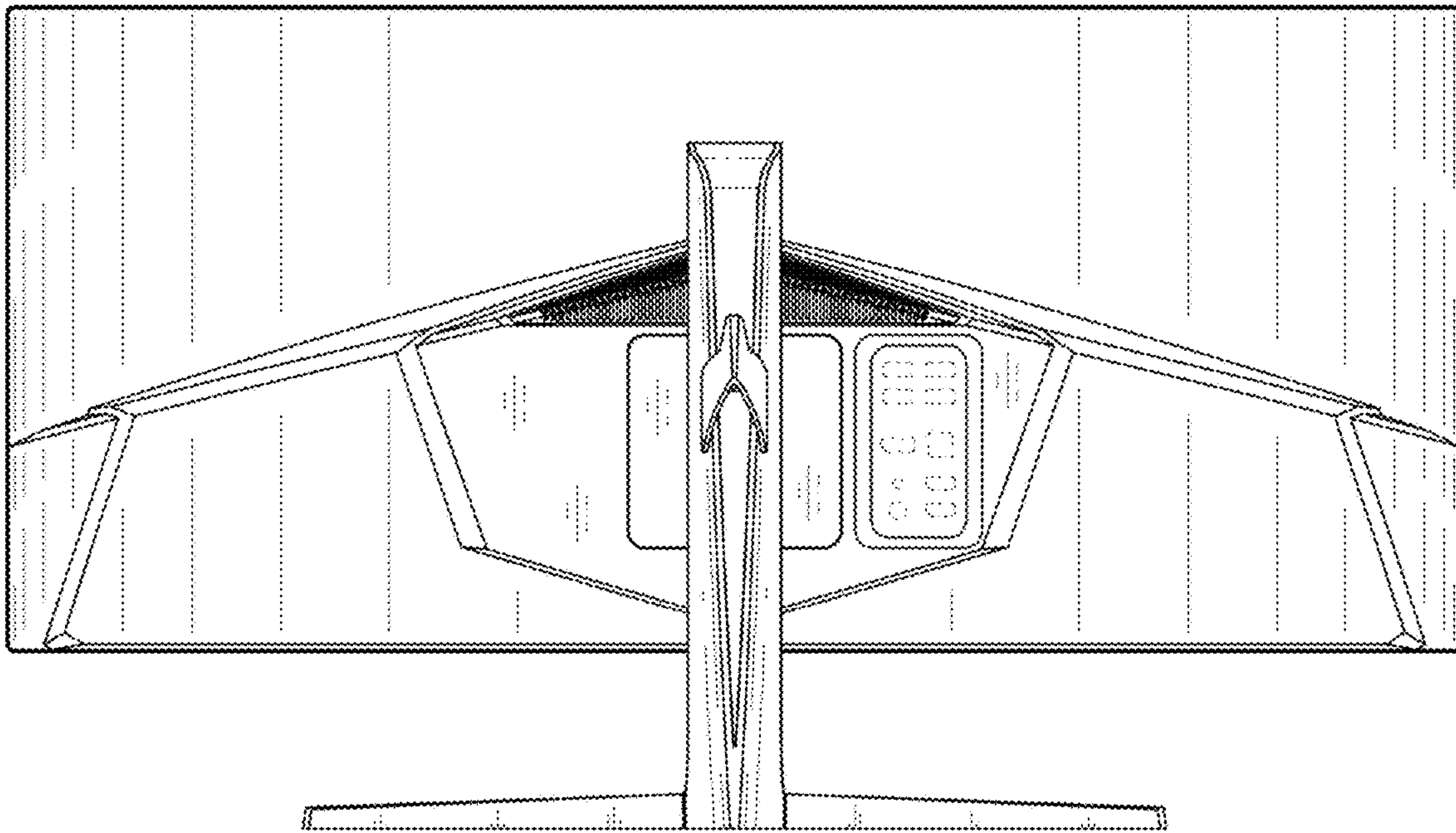
1.1



1.2

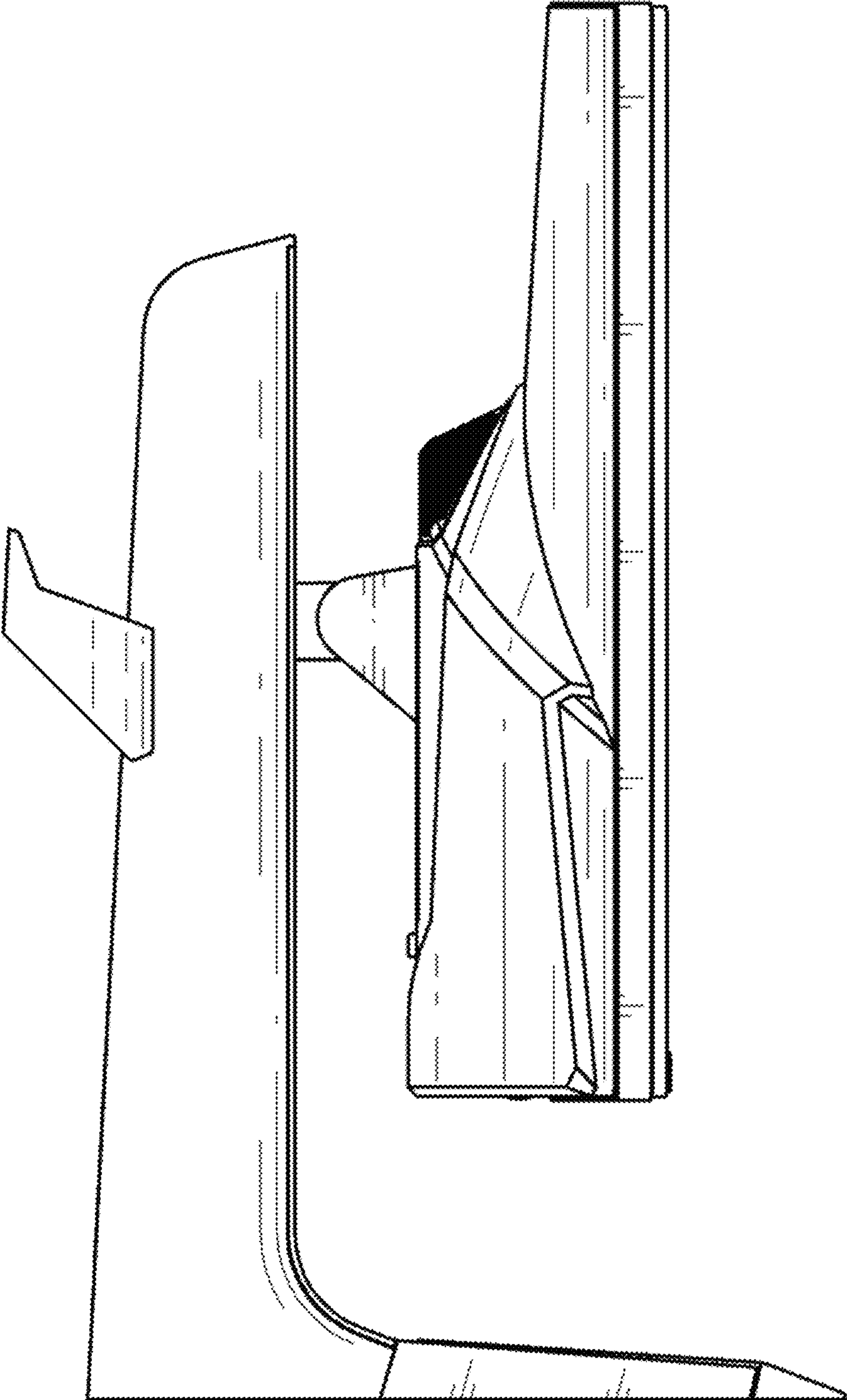


1.3

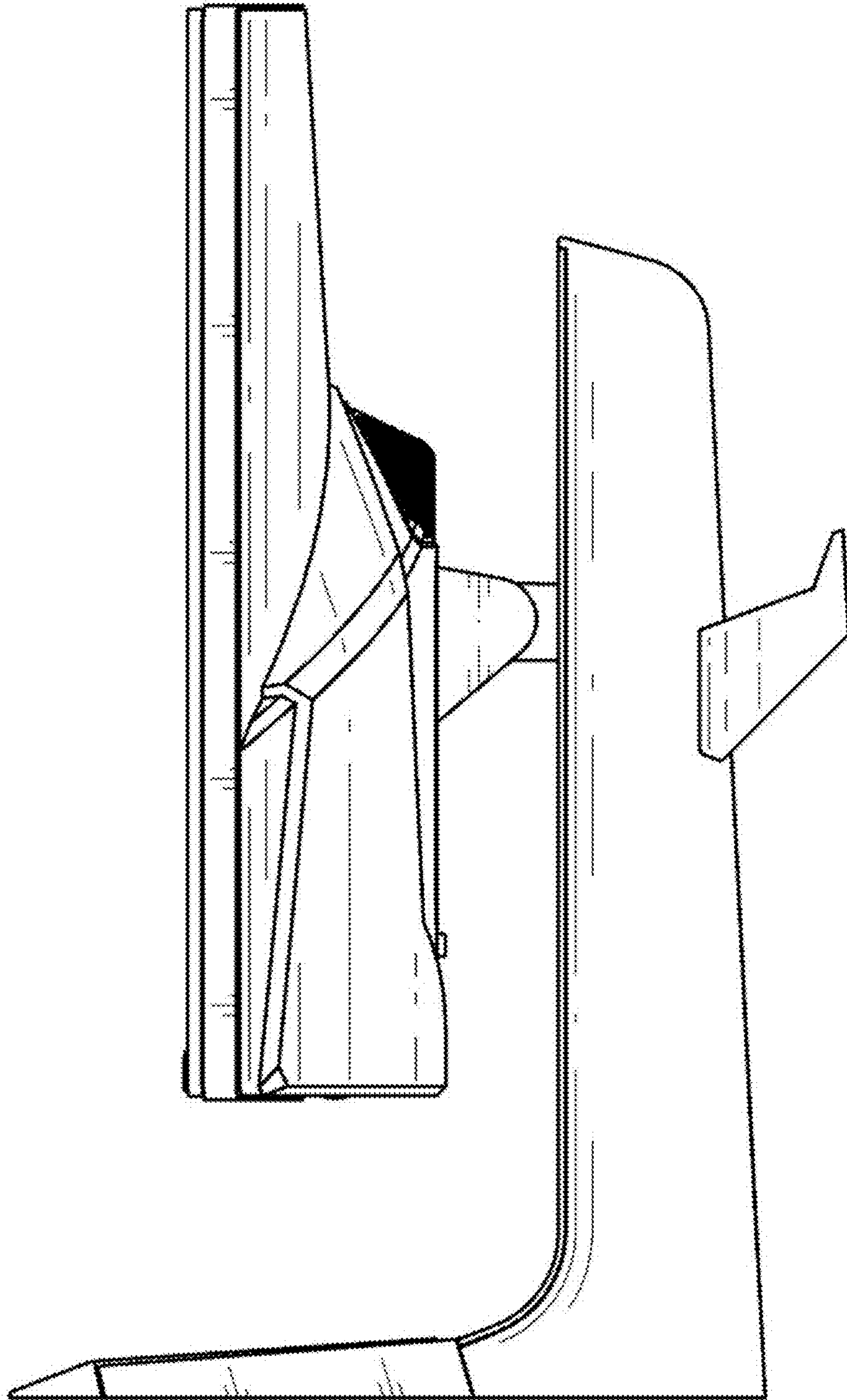




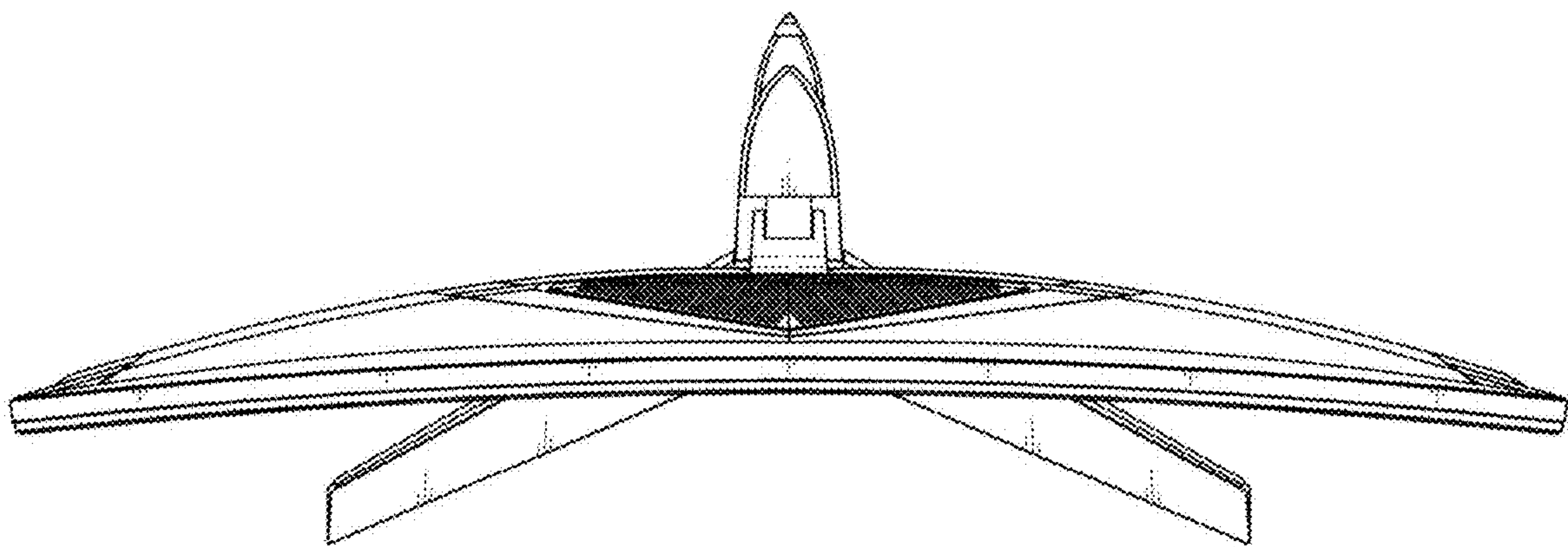
1.4



1.5



1.6



1.7

