



US00D831646S

(12) **United States Design Patent** (10) **Patent No.:** **US D831,646 S**
Kusano et al. (45) **Date of Patent:** **** Oct. 23, 2018**

(54) **WIRELESS NETWORKING DEVICE**

- (71) Applicant: **Sonos, Inc.**, Santa Barbara, CA (US)
- (72) Inventors: **Mieko Kusano**, Santa Barbara, CA (US); **Ernesto Figueira**, Santa Barbara, CA (US); **Roland Bird**, Eindhoven (NL); **Niels van Hoof**, Eindhoven (NL)
- (73) Assignee: **Sonos, Inc.**, Santa Barbara, CA (US)
- (**) Term: **15 Years**
- (21) Appl. No.: **29/609,315**
- (22) Filed: **Jun. 29, 2017**

Related U.S. Application Data

- (63) Continuation of application No. 29/554,354, filed on Feb. 10, 2016, now Pat. No. Des. 794,019, which is (Continued)
- (51) **LOC (11) Cl.** **14-01**
- (52) **U.S. Cl.**
USPC **D14/358**; D14/496
- (58) **Field of Classification Search**
USPC D14/358, 496, 356, 357, 359-361, 125, D14/209.1, 167, 168, 156, 155, 188, 314, D14/365, 240, 203.3; D13/184; D9/432; 361/679.31, 679.33, 679.4, 683, 685, 752; 711/100, 115
(Continued)

(56) **References Cited**

U.S. PATENT DOCUMENTS

- D220,105 S 3/1971 Small
- D275,752 S * 10/1984 Mahan D14/240
(Continued)

OTHER PUBLICATIONS

“Apple TV 4! Will You Get One?”, Dtathemes, Sep. 8, 2015, retrieved from <http://www.dtathemes.com/apple-tv-4-will-you-get-one/> on Mar. 2, 2016, 3 pages.
(Continued)

Primary Examiner — Paula Allen Greene
(74) *Attorney, Agent, or Firm* — KPPB LLP

(57) **CLAIM**

The ornamental design for a wireless networking device, as shown and described.

DESCRIPTION

A portion of the disclosure of this patent document contains or may contain material which is subject to copyright protection by Sonos, Inc. The copyright owner has no objection to the photocopy reproduction by anyone of the patent document for the patent disclosure in exactly the form it appears in the USPTO patent file or records, but otherwise reserves all copyright rights whatsoever.

FIG. 1 is an isometric view of a wireless networking device. FIG. 2 is a front view of the wireless networking device of FIG. 1.

FIG. 3 is a rear view of the wireless networking device of FIG. 1.

FIG. 4 is a side view of the wireless networking device of FIG. 1.

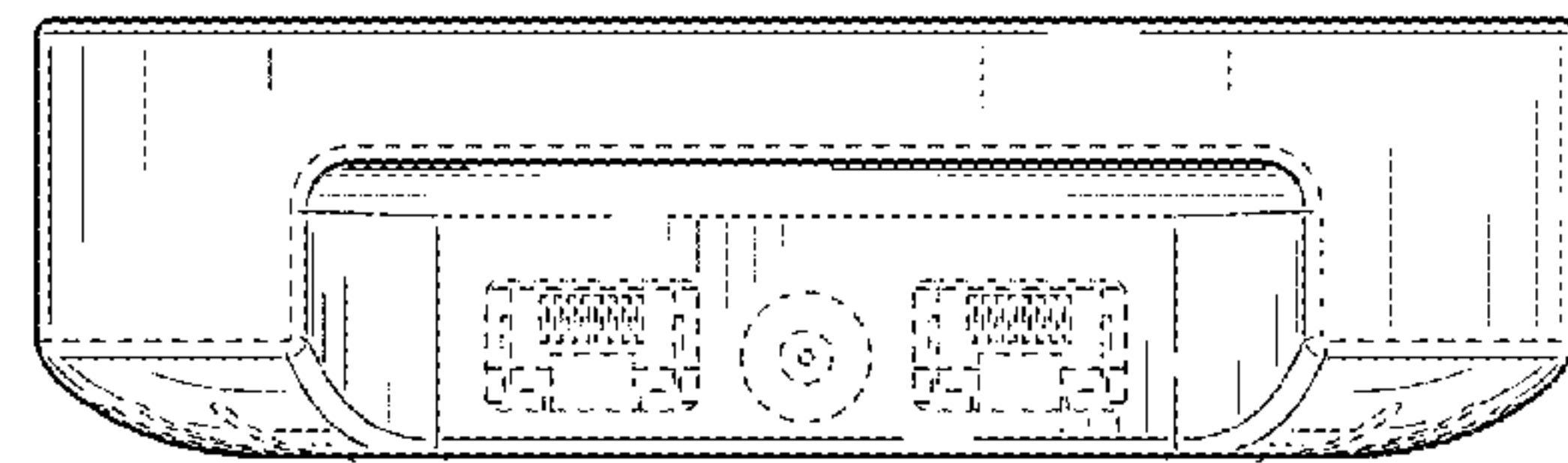
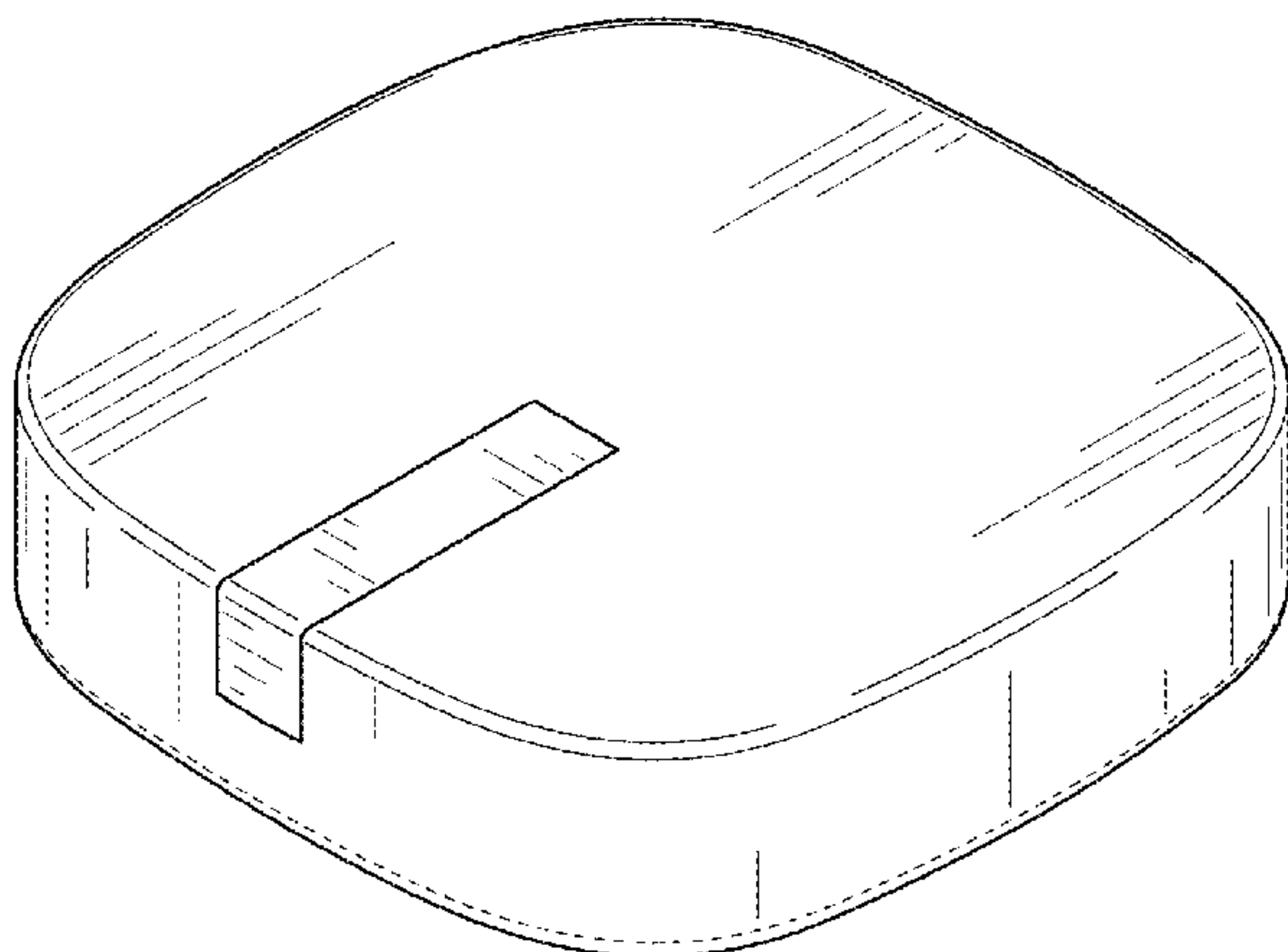
FIG. 5 is another side view of the wireless networking device of FIG. 1.

FIG. 6 is a top view of the wireless networking device of FIG. 1; and,

FIG. 7 is a bottom view of the wireless networking device of FIG. 1.

In the drawing the claimed design is defined by the shaded surfaces; the broken lines depict unclaimed environment that forms no part of the claimed design.

1 Claim, 3 Drawing Sheets



Related U.S. Application Data

a continuation of application No. 29/499,300, filed on Aug. 13, 2014, now Pat. No. Des. 754,751.

(58) **Field of Classification Search**

CPC G06F 1/16; H05K 7/02
See application file for complete search history.

(56) **References Cited**

U.S. PATENT DOCUMENTS

D286,633 S 11/1986 Pauser
D367,042 S * 2/1996 Morrow D13/184
D375,297 S 11/1996 Casarez et al.
D395,897 S * 7/1998 Honma D13/184
D416,004 S 11/1999 Tanimura et al.
D416,896 S 11/1999 Ogasawara et al.
D425,033 S * 5/2000 Hibino D14/357
6,147,859 A 11/2000 Abboud
D453,329 S 2/2002 Muramatsu
D464,958 S 10/2002 Coker et al.
6,873,524 B2 3/2005 Kaczeus et al.
D510,343 S * 10/2005 Wallace D14/240
D513,617 S 1/2006 Tierney et al.
D513,750 S 1/2006 Ko et al.
D519,101 S 4/2006 Alwicker
D521,001 S 5/2006 Xiao et al.
D522,531 S 6/2006 Solomon et al.
7,057,566 B2 6/2006 Theobold
D526,648 S * 8/2006 Andre D14/314
D530,315 S 10/2006 Liu
D532,785 S 11/2006 Lo et al.
D533,177 S 12/2006 Andre
D535,281 S 1/2007 Yang
D537,817 S 3/2007 Andre
D542,288 S * 5/2007 Andre D14/314
D563,994 S 3/2008 Liu
D574,360 S 8/2008 Matsuoka et al.
D582,384 S 12/2008 Christopher
D582,429 S 12/2008 Kusano et al.
D583,367 S * 12/2008 Chen D14/240
D583,796 S 12/2008 Tanaka et al.
D585,733 S 2/2009 Feibelman
D589,045 S * 3/2009 Lee D14/358
D594,874 S 6/2009 Sheba et al.
D594,875 S 6/2009 Sheba et al.
D596,626 S 7/2009 Andre
D599,753 S 9/2009 Cho et al.
D601,583 S 10/2009 Andre
D609,315 S * 2/2010 Soulier D23/293.1
D609,701 S 2/2010 Hou et al.
D616,426 S * 5/2010 Ju D14/240
D620,953 S 8/2010 Andre
D638,426 S 5/2011 Ikeda et al.
D641,327 S 7/2011 Falakfarsa et al.
D641,364 S 7/2011 McParland et al.
D641,740 S * 7/2011 Jeon D14/140.6
D651,994 S 1/2012 Lundbom et al.
D655,305 S 3/2012 Koo et al.
D657,784 S 4/2012 Akana et al.
D660,809 S 5/2012 Kern Koskela et al.
D660,839 S 5/2012 Govindasamy et al.
D662,491 S 6/2012 Andre et al.
D664,130 S * 7/2012 Lee D14/240
8,299,978 B2 10/2012 Gates et al.
D676,005 S 2/2013 Wood et al.

8,411,434 B2 4/2013 Goh
D684,193 S 6/2013 Maier et al.
D685,392 S 7/2013 Chamness et al.
D686,065 S * 7/2013 Kuo D9/432
D686,201 S 7/2013 Lee et al.
D686,595 S * 7/2013 Andre D14/217
D687,817 S 8/2013 Petersen et al.
D689,860 S 9/2013 Chong et al.
D693,808 S 11/2013 Kim et al.
D696,299 S 12/2013 Chamness et al.
D704,177 S 5/2014 Chun et al.
D705,224 S 5/2014 Govindasamy et al.
D705,748 S 5/2014 He
D711,345 S 8/2014 Liu
D718,785 S 12/2014 Lee et al.
D719,153 S 12/2014 Lim et al.
D719,561 S 12/2014 Akana et al.
D719,928 S 12/2014 Birger
D721,061 S 1/2015 Burlingame et al.
D721,352 S 1/2015 Kusano et al.
D723,479 S 3/2015 Lee et al.
D727,360 S 4/2015 Peng
D743,954 S 11/2015 Chuang et al.
D746,795 S 1/2016 Burlingame et al.
D754,751 S 4/2016 Kusano et al.
D756,991 S 5/2016 Day et al.
D759,629 S 6/2016 Kusano et al.
D765,140 S 8/2016 Peng et al.
D768,589 S 10/2016 Shin
D768,602 S * 10/2016 Reichert D14/204
D768,607 S * 10/2016 Altonen D14/240
D776,657 S 1/2017 Lagerstedt et al.
D781,257 S 3/2017 Moon et al.
D789,990 S * 6/2017 Bird D14/203.3
D789,991 S * 6/2017 Bird D14/203.3
D794,019 S * 8/2017 Kusano D14/358
D798,339 S * 9/2017 Yang D14/203.1
D815,062 S * 4/2018 Bird D14/214
D821,374 S * 6/2018 Jun D14/242
2003/0081377 A1 5/2003 Lin
2008/0040735 A1 2/2008 Saitou et al.
2009/0228654 A1 9/2009 Lakowicz
2010/0215203 A1 8/2010 Sip
2013/0280940 A1 10/2013 Pai et al.

OTHER PUBLICATIONS

“Apple TV 4th Generation—Initial Thoughts”, UofMTiger Tech, Oct. 31, 2015, Retrieved from <http://www.uofintiger.com/blog/apple-tv-4th-generation-initial-thoughts> on Mar. 2, 2016, 15 pages.
Brown, Ken, “Western Digital WD TV Play Media Player Review”, Legit Reviews, Feb. 20, 2013, Retrieved from http://www.legitreviews.com/western-digital-wd-tv-play-media-player-review_2140 on Mar. 2, 2016, 5 pages.
Coles, Olin, “WD TV Live Digital MultiMedia Player”, BenchmarkReviews, Jul. 9, 2012, Retrieved from http://archive.benchmarkreviews.com/index.php?option=com_content&task=view&id=950&Itemid=66&limitstart=1 on Mar. 2, 2016, 18 pages.
Sze, Kelvin, “Netgear NeoTV NTV300, NeoTV Pro NTV300S and NeoTV Max NTV300SL Streaming Players”, ITechNews.net, Sep. 20, 2012, Retrieved from <http://www.itechnews.net/2012/09/20/netgear-neotv-ntv300-neotv-pro-ntv300s-and-neotv-max-ntv300sl-streaming-players/> on Mar. 2, 2016, 4 pages.

* cited by examiner

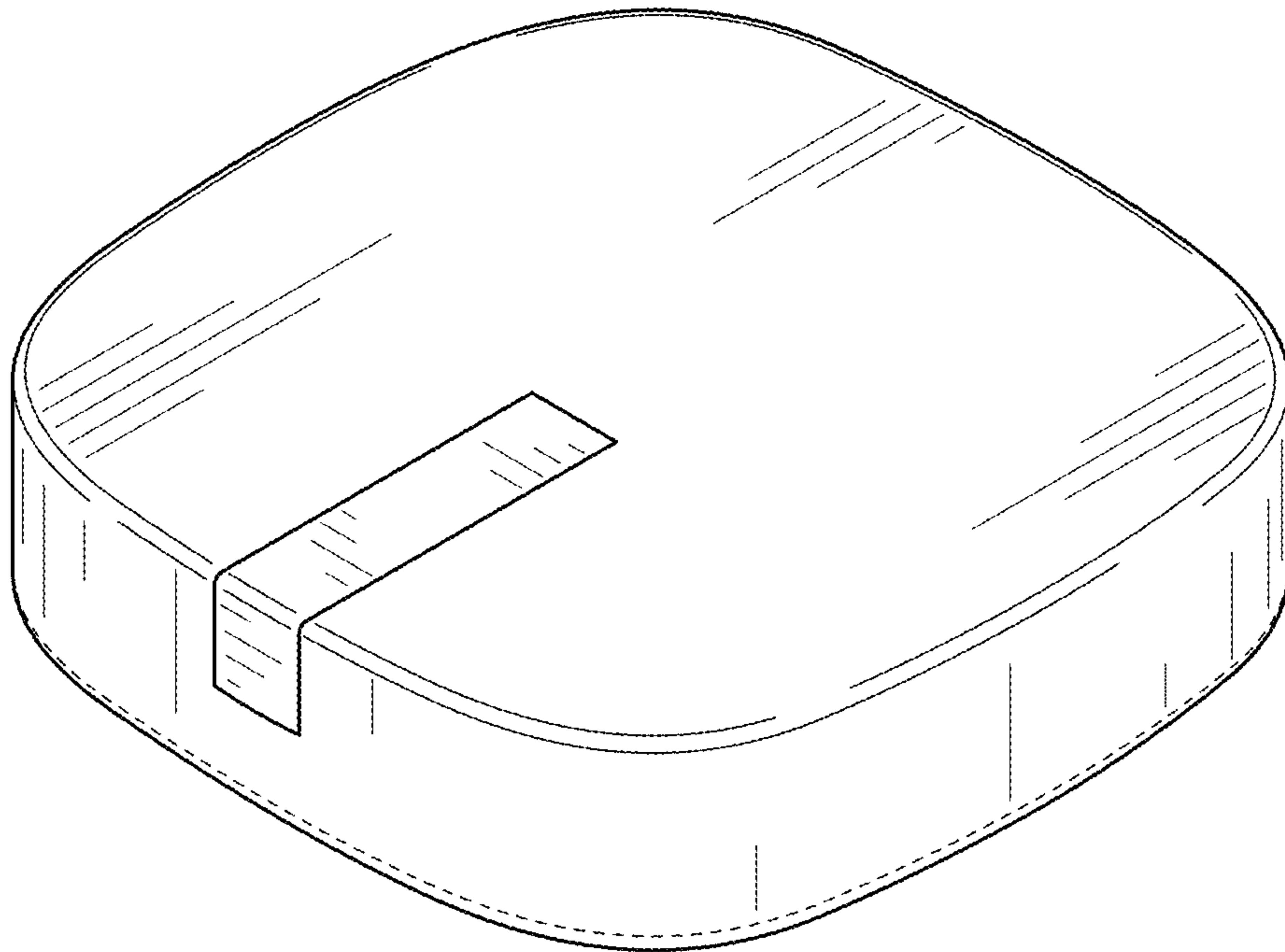


FIG. 1

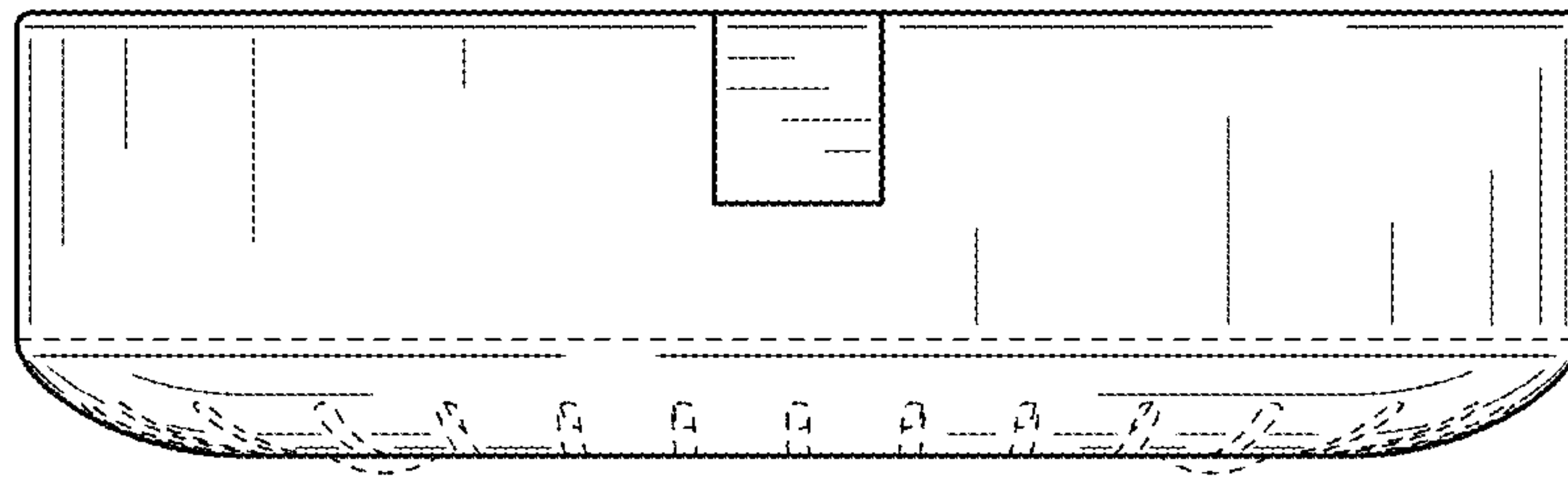


FIG. 2

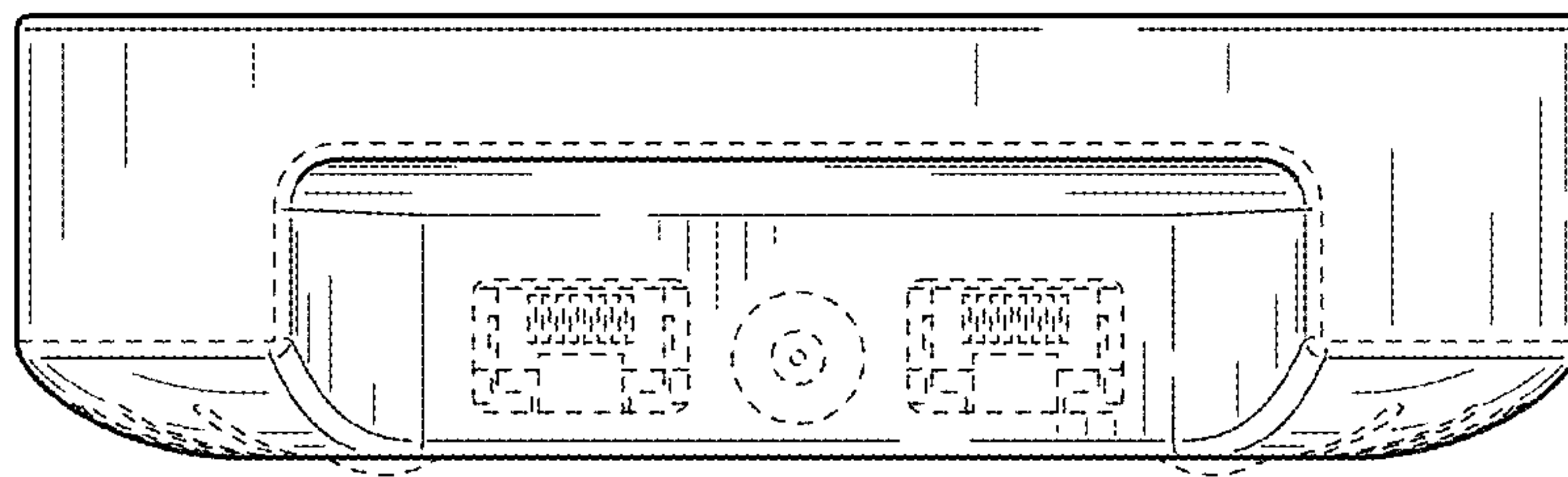


FIG. 3

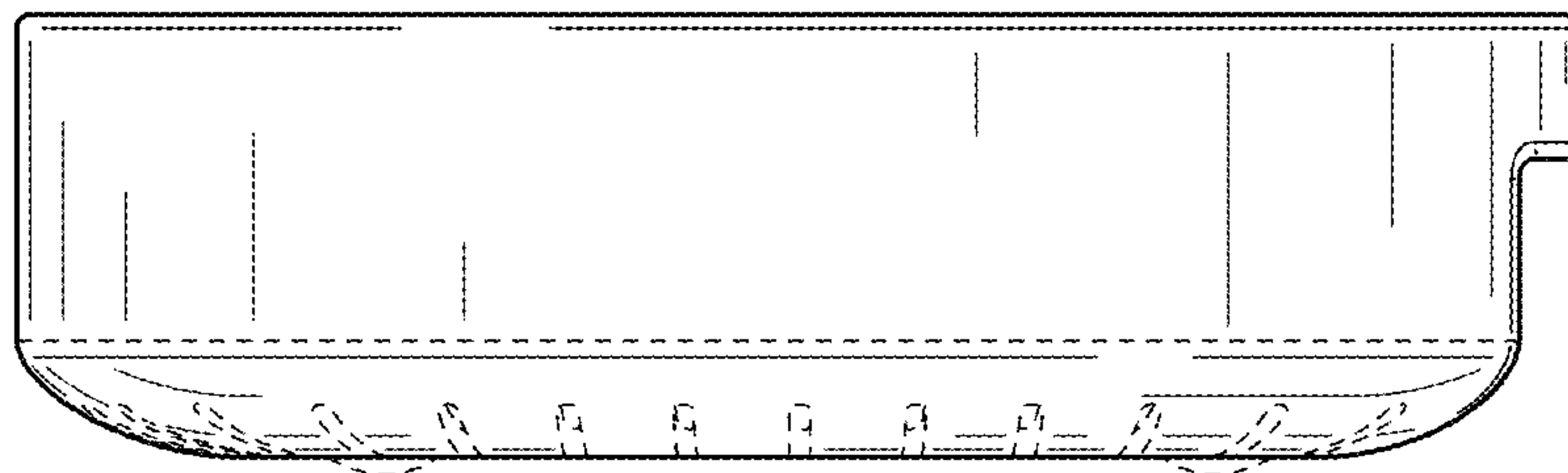


FIG. 4

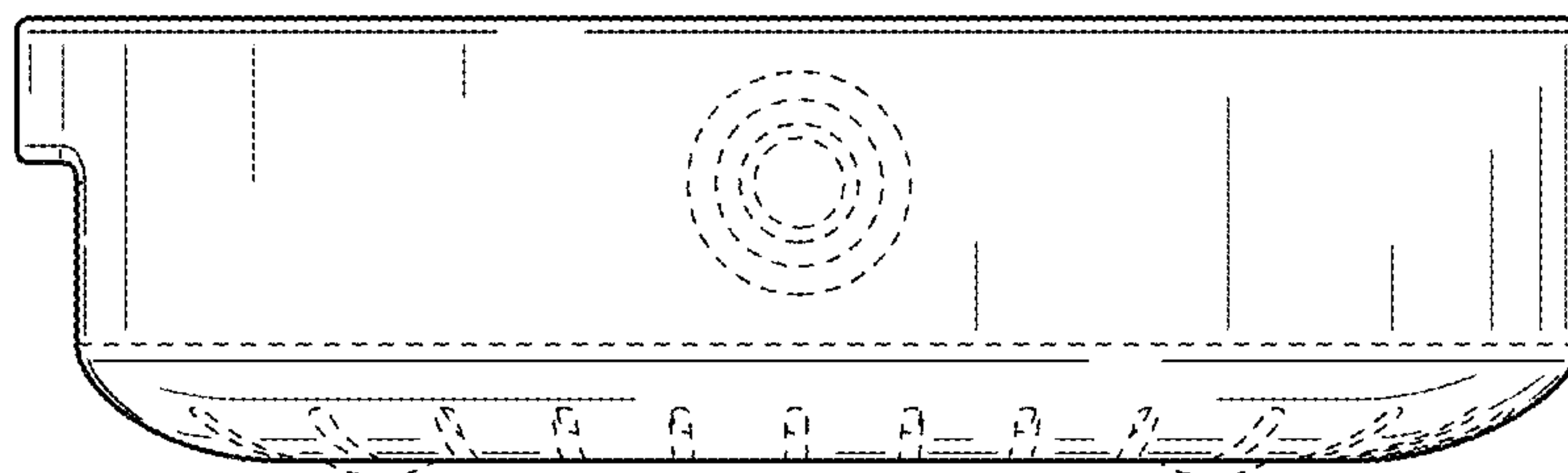


FIG. 5

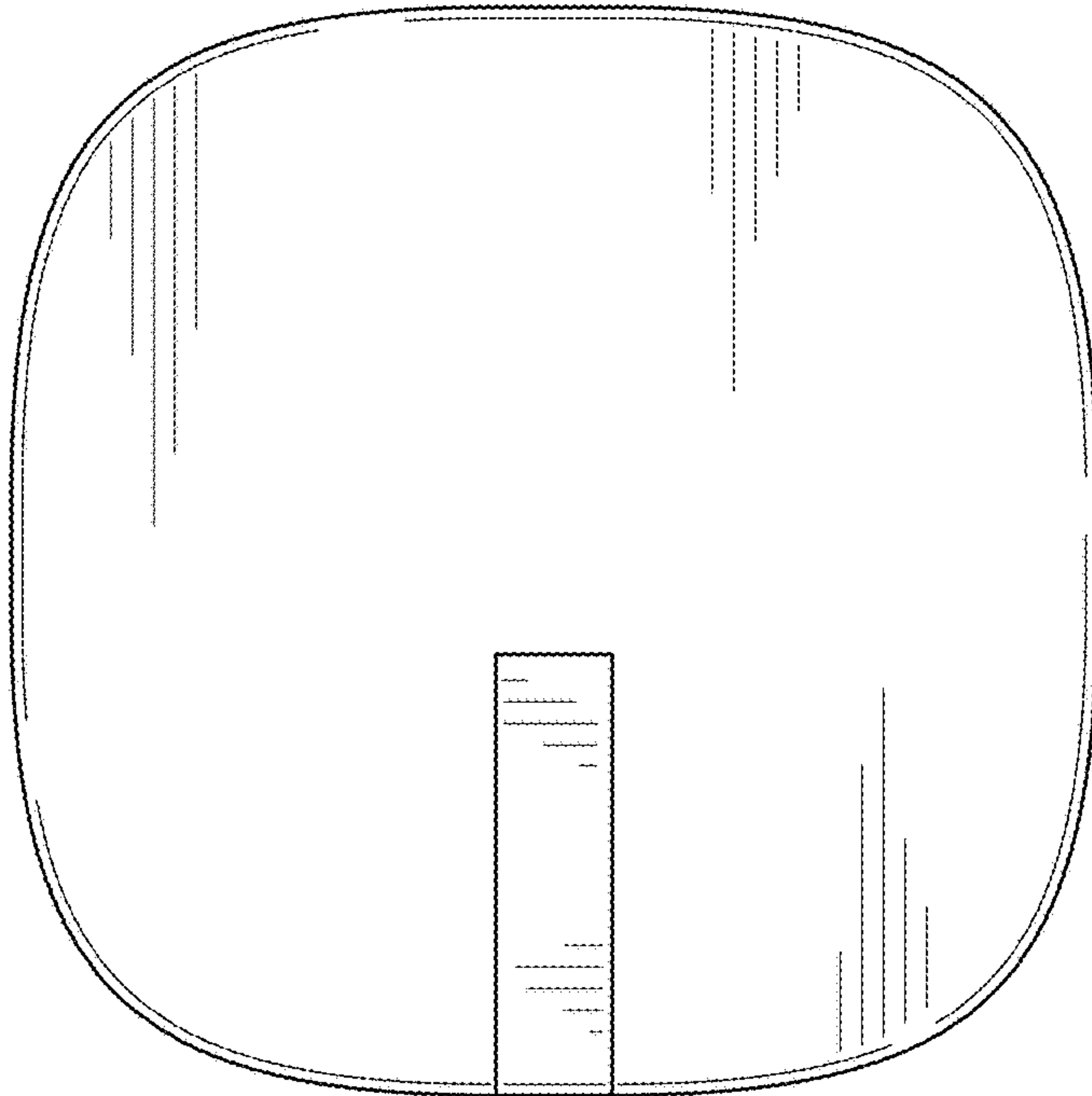


FIG. 6

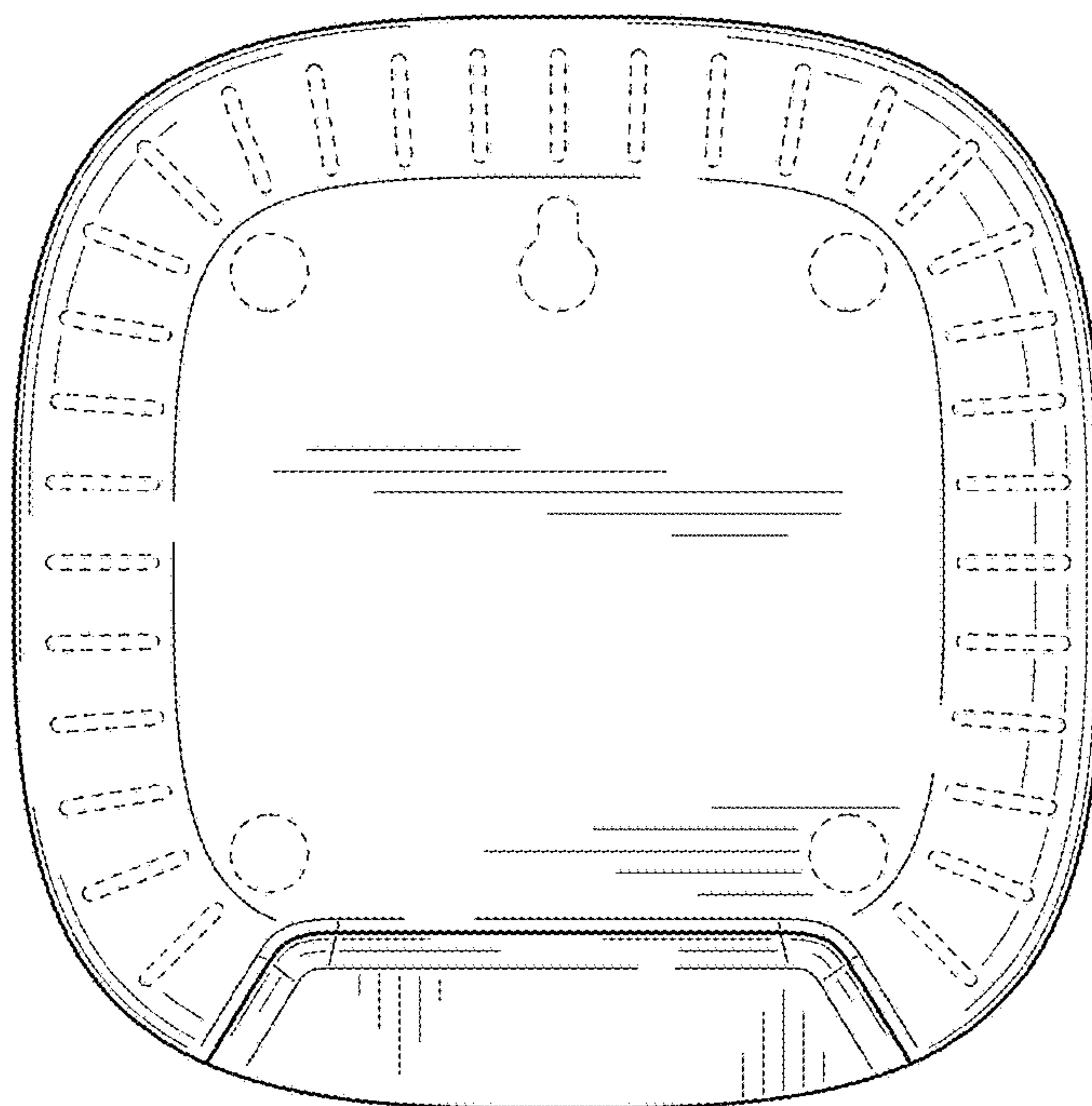


FIG. 7