



US00D831645S

(12) **United States Design Patent**
Wu

(10) **Patent No.:** **US D831,645 S**

(45) **Date of Patent:** **** *Oct. 23, 2018**

- (54) **SMART BAND**
- (71) Applicant: **Shenzhen DO Intelligent Technology Co., Ltd.**, Shenzhen (CN)
- (72) Inventor: **Da-Jun Wu**, Shenzhen (CN)
- (73) Assignee: **SHENZHEN DO INTELLIGENT TECHNOLOGY CO., LTD.**, Shenzhen (CN)
- (*) Notice: This patent is subject to a terminal disclaimer.

- 8,370,549 B2 * 2/2013 Burton A63B 24/00
703/1
- D711,002 S * 8/2014 Ohnemus D24/186
- D717,956 S * 11/2014 Alexander D24/167
- D718,647 S * 12/2014 Roush D10/70
- D720,248 S * 12/2014 Law D11/3
- D720,249 S * 12/2014 Park D11/3
- D724,453 S * 3/2015 Ogihara D10/70
- D725,510 S * 3/2015 Henning D10/70
- D746,477 S * 12/2015 Cha D24/186
- D747,714 S * 1/2016 Erbeus D10/32

(Continued)

(**) Term: **15 Years**

(21) Appl. No.: **29/596,441**

(22) Filed: **Mar. 8, 2017**

(30) **Foreign Application Priority Data**

Jan. 26, 2017 (CN) 2017 3 0030898

(51) **LOC (11) Cl.** **14-02**

(52) **U.S. Cl.**
USPC **D14/344**

(58) **Field of Classification Search**
 USPC ... D14/344, 138 R, 144, 341, 358, 485-489,
 D14/218; D10/30-39, 70, 98; D11/3,
 D11/93-94; D24/167, 169, 186-187;
 361/679.03; 379/433.1; D13/108
 CPC .. A41D 1/002; G06F 1/04; G06F 1/08; G06F
 1/10; G06F 1/14; G06F 1/1626; G06F
 1/1628; G06F 1/163; G06F 1/1635; G06F
 1/3203; G06Q 20/10; G06Q 20/12; G06Q
 20/108; G06Q 20/145; H04B 1/3833;
 H04B 1/385; H04B 1/3888; H04M 1/02;
 H04M 1/03; H04M 1/04; H04M 1/05;
 H04M 1/667; H04M 1/6058; Y02B
 60/1217

See application file for complete search history.

(56) **References Cited**

U.S. PATENT DOCUMENTS

D656,856 S * 4/2012 Kleinberg D11/3

OTHER PUBLICATIONS

The Yves Béhar-Designed Jawbone UP3 Is Very Sensitive (In a Good Way), posted Nov. 6, 2014, [retrieved Jan. 3, 2018]. Retrieved from Internet, <URL: <https://design-milk.com/yves-behar-jawbone-up3/>>.*

(Continued)

Primary Examiner — Barbara Fox
Assistant Examiner — Kristin E Reed
(74) *Attorney, Agent, or Firm* — WPAT, PC

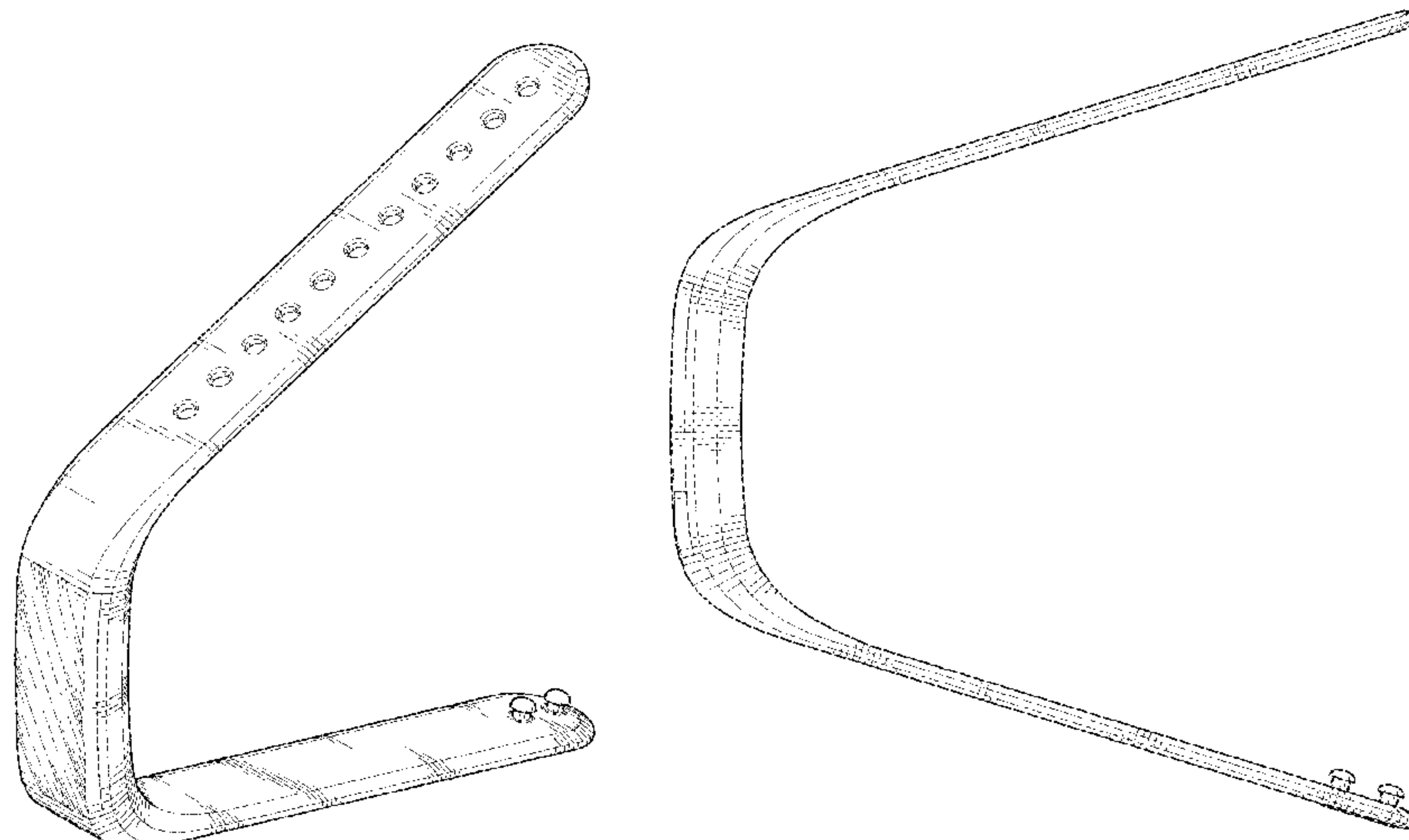
(57) **CLAIM**

The ornamental design for a smart band, as shown and described.

DESCRIPTION

FIG. 1 is a perspective view of a smart band showing my new design;
 FIG. 2 is a front view thereof;
 FIG. 3 is a back view thereof;
 FIG. 4 is a left view thereof;
 FIG. 5 is a right view thereof;
 FIG. 6 is a top view thereof;
 FIG. 7 is a bottom view thereof; and,
 FIG. 8 is another perspective view thereof.

1 Claim, 8 Drawing Sheets



(56)

References Cited

U.S. PATENT DOCUMENTS

D751,549 S * 3/2016 Park D10/38
D757,583 S * 5/2016 Roush D10/70
D759,516 S * 6/2016 Ling D10/30
9,420,856 B2 * 8/2016 Proud A44C 5/0015
9,674,697 B2 * 6/2017 Lee H04W 12/02
D796,045 S * 8/2017 Henning D14/344
2011/0319024 A1 * 12/2011 Fish H04B 5/0006
455/41.3

OTHER PUBLICATIONS

12 Gym Bag Essentials, posted 2016, [retrieved Jan. 3, 2018]. Retrieved from Internet, <URL: <https://gearmoose.com/12-gym-bag-essentials/> >.*

Fitbit Blaze and Fitbit Alta to get even prettier, posted Aug. 29, 2016, [retrieved Jan. 3, 2018]. Retrieved from Internet, <URL: <https://www.androidauthority.com/fitbit-blaze-fitbit-alta-get-accessory-updates-713238/> >.*

Sony SmartBand Talk review: A fitness tracker with smartwatch aspirations, posted Nov. 19, 2014, [retrieved Jan. 3, 2018]. Retrieved from Internet, <URL: <http://www.digitalspy.com/tech/wearables/review/a609768/sony-smartband-talk-review-a-fitness-tracker-with-smartwatch-aspirations/> >.*

Fengfanglin Black i5 Plus Sports Watch Fitness Tracker, posted Aug. 3, 2017, [retrieved Jan. 3, 2018]. Retrieved from Internet, <URL: <https://www.amazon.in/Fengfanglin-Resistant-Bluetooth-Wristband-Wireless/dp/B017646TNO> >.*

* cited by examiner

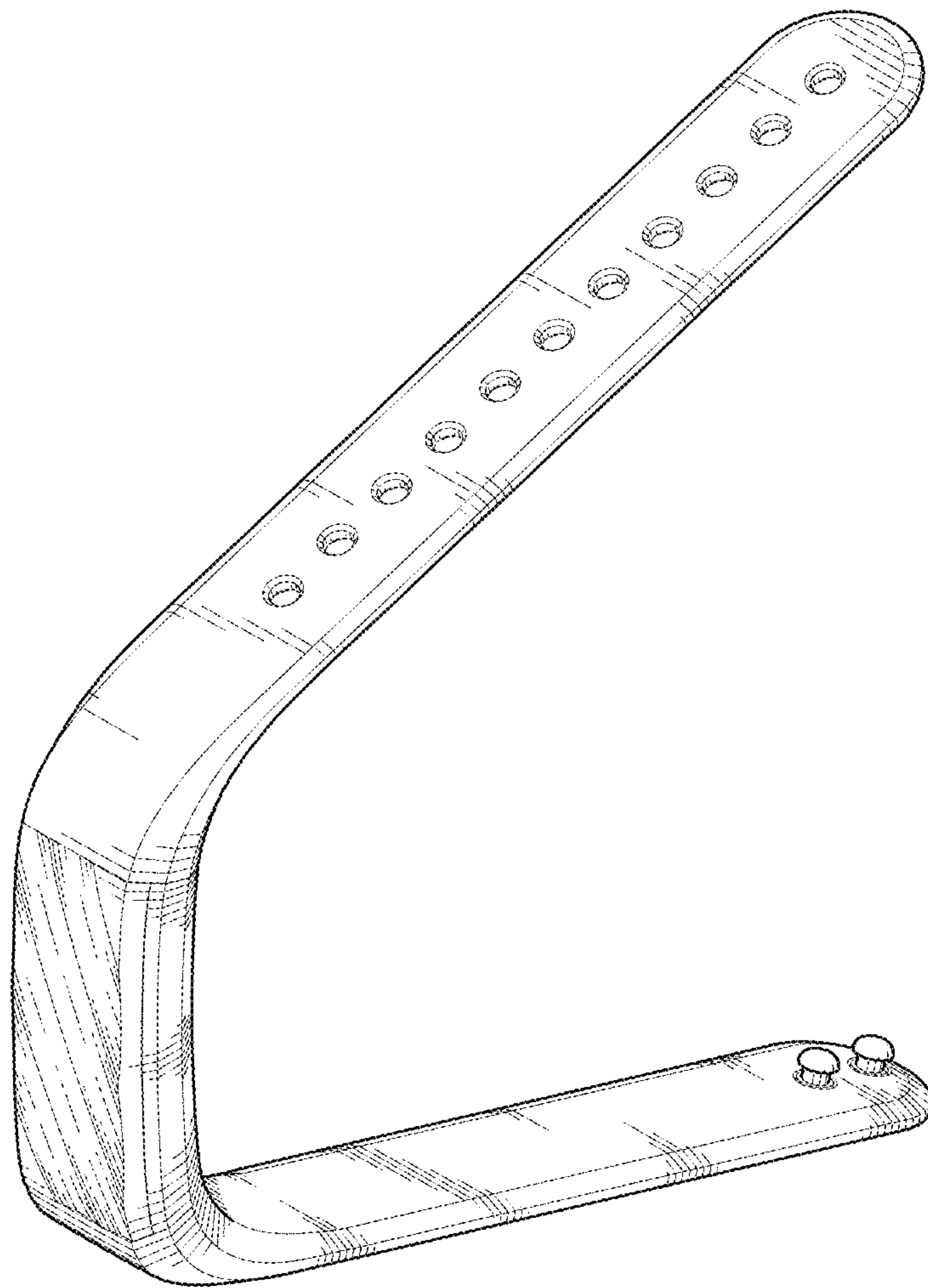


FIG. 1

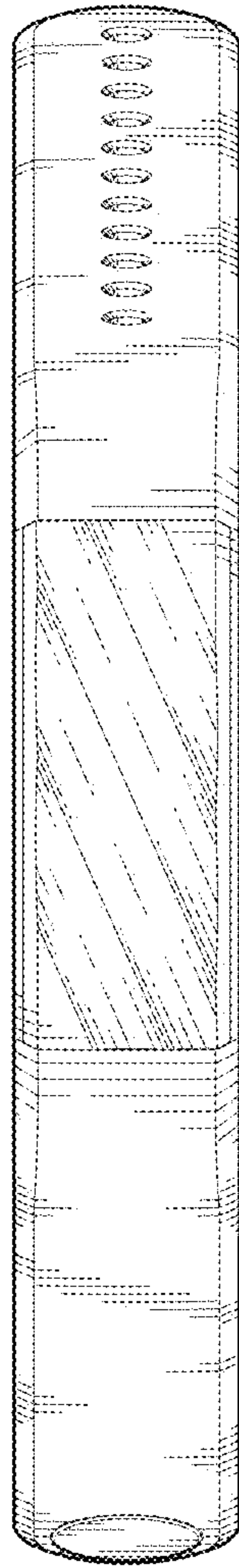


FIG. 2

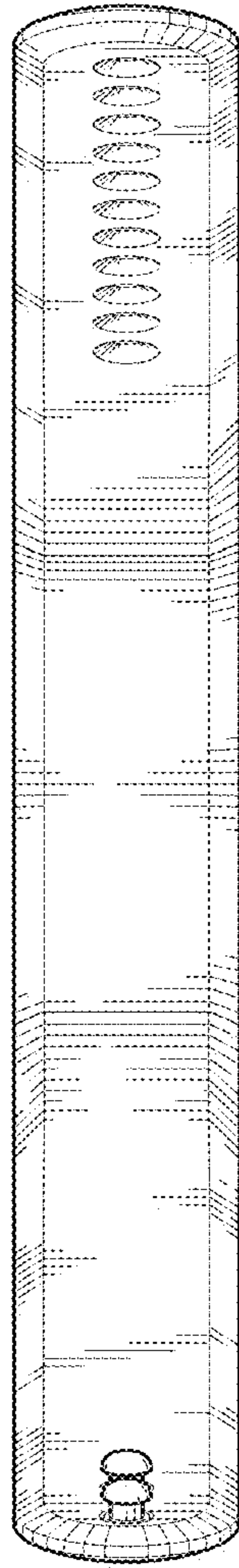


FIG. 3

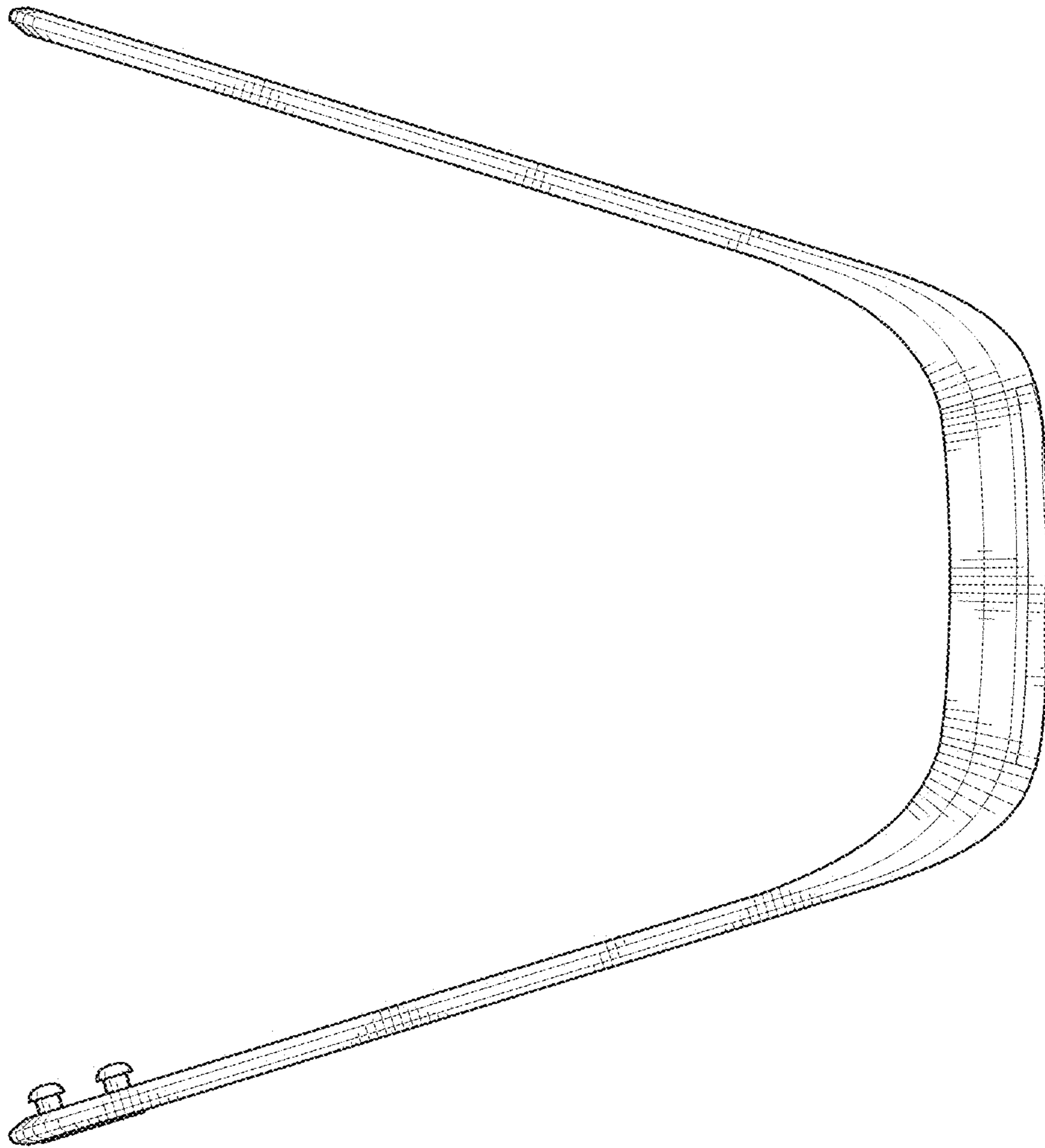


FIG. 4

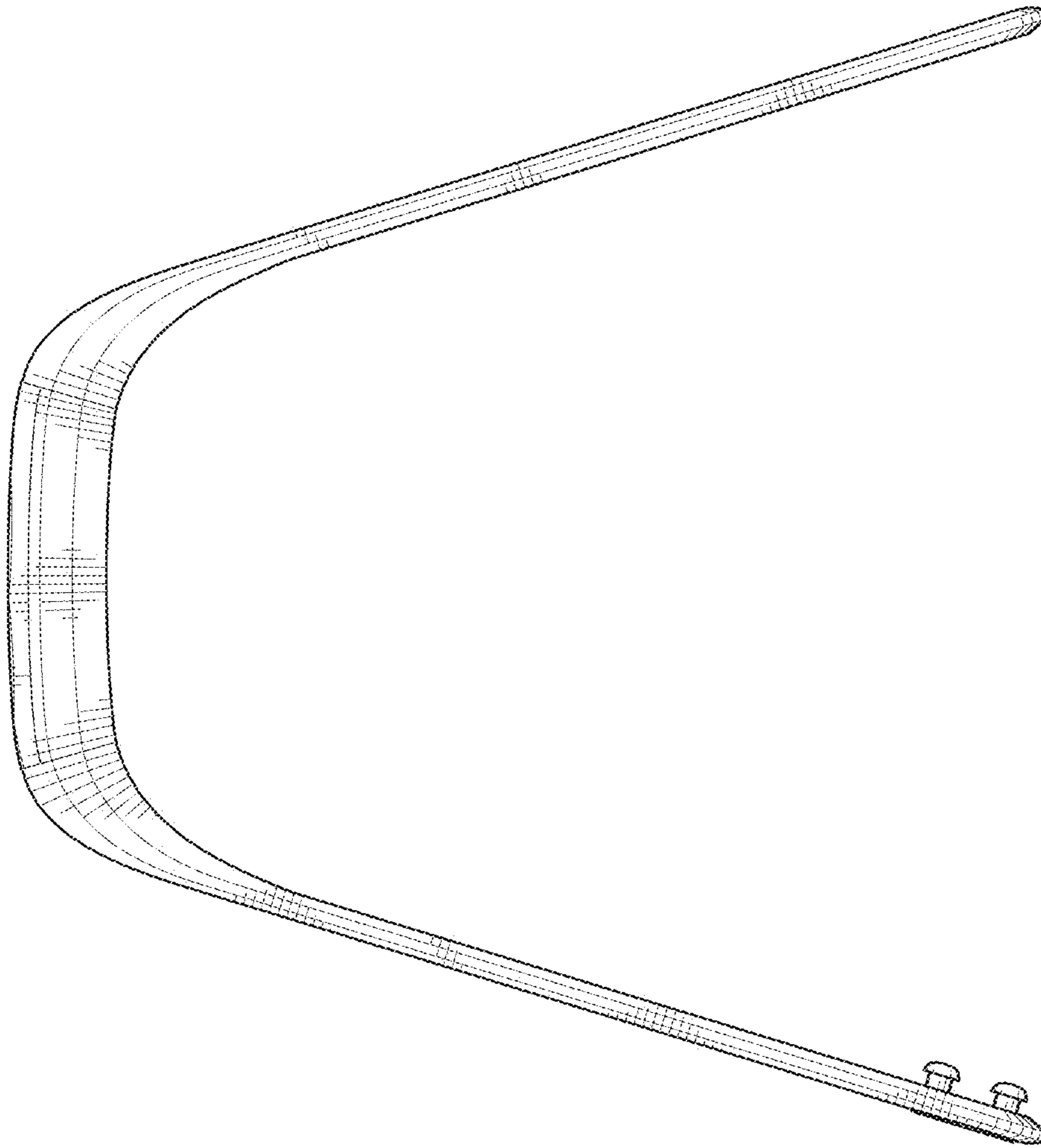


FIG. 5

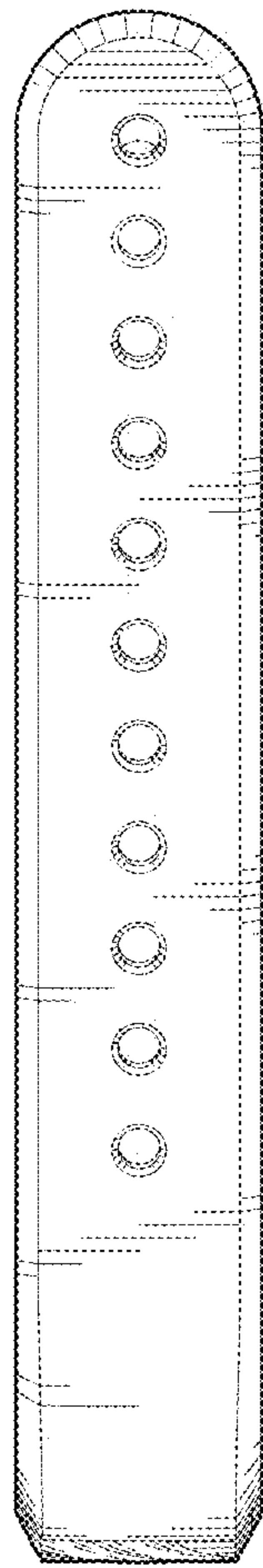


FIG. 6

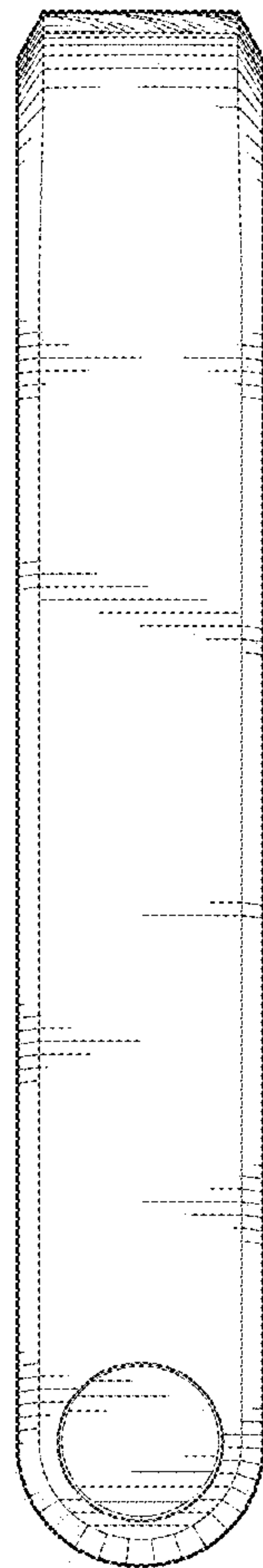


FIG. 7

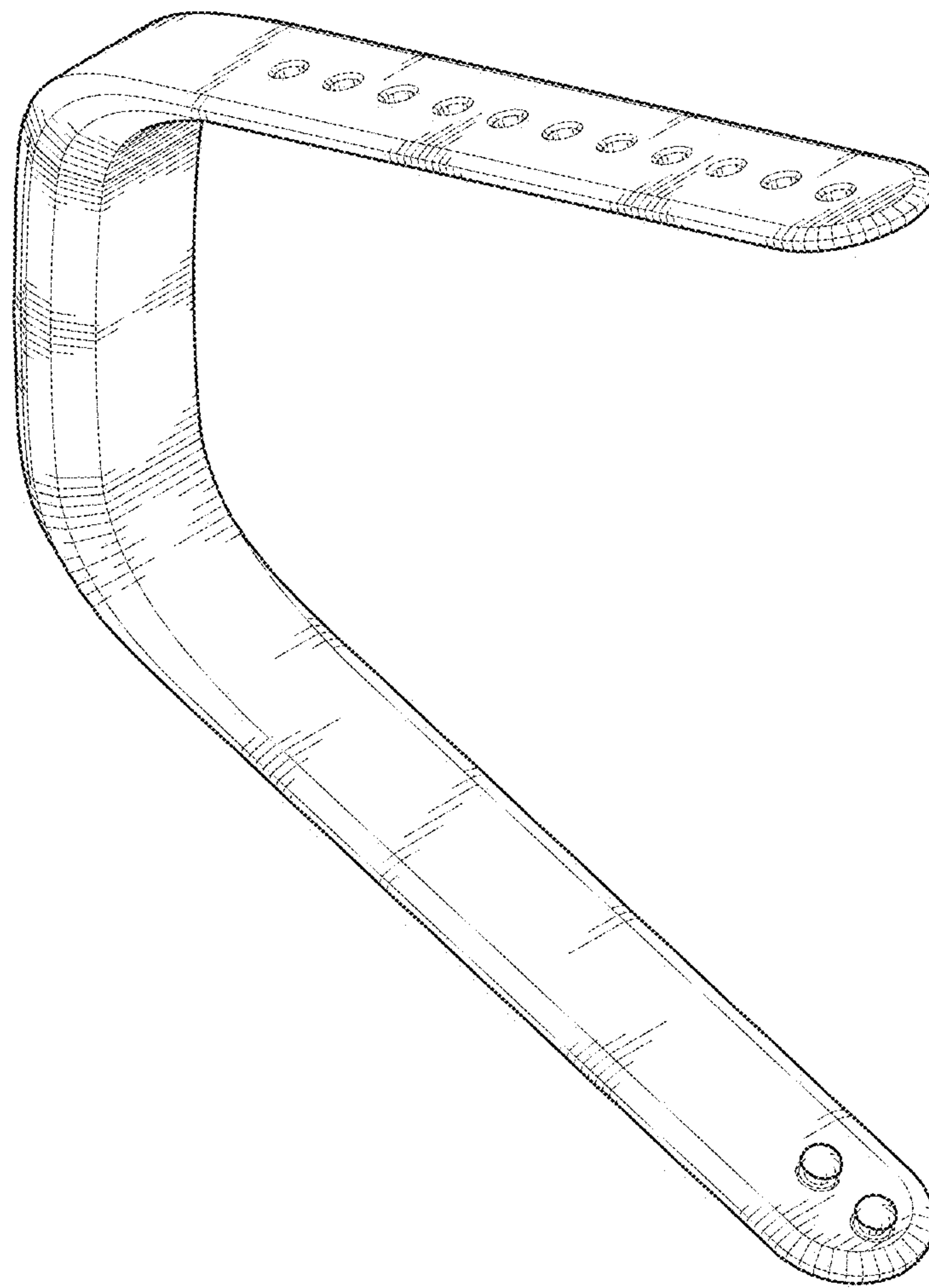


FIG. 8