



US00D831644S

(12) **United States Design Patent** (10) **Patent No.:** **US D831,644 S**  
**Wu** (45) **Date of Patent:** **\*\* \*Oct. 23, 2018**

(54) **SMART BAND**

H04M 1/667; H04M 1/6058; Y02B  
60/1217

(71) Applicant: **Shenzhen DO Intelligent Technology Co., Ltd.**, Shenzhen (CN)

See application file for complete search history.

(72) Inventor: **Da-Jun Wu**, Shenzhen (CN)

(56) **References Cited**

(73) Assignee: **SHENZHEN DO INTELLIGENT TECHNOLOGY CO., LTD.**, Shenzhen (CN)

U.S. PATENT DOCUMENTS

(\*) Notice: This patent is subject to a terminal disclaimer.

D656,856	S	*	4/2012	Kleinberg	.....	D11/3
8,370,549	B2	*	2/2013	Burton	.....	A63B 24/00 703/1
D711,002	S	*	8/2014	Ohnemus	.....	D24/186
D717,956	S	*	11/2014	Alexander	.....	D24/167
D718,647	S	*	12/2014	Roush	.....	D10/70
D720,248	S	*	12/2014	Law	.....	D11/3
D720,249	S	*	12/2014	Park	.....	D11/3
D724,453	S	*	3/2015	Ogihara	.....	D10/70
D725,510	S	*	3/2015	Henning	.....	D10/70
D746,477	S	*	12/2015	Cha	.....	D24/186

(\*\*) Term: **15 Years**

(Continued)

(21) Appl. No.: **29/596,438**

OTHER PUBLICATIONS

(22) Filed: **Mar. 8, 2017**

Chinese fitness trackers: budget devices that don't compromise on features, posted Apr. 24, 2017, [retrieved Jan. 3, 2018]. Retrieved from Internet, <URL: <http://gadgetsandwearables.com/2017/04/24/top-chinese-fitness-trackers/>>.\*

(30) **Foreign Application Priority Data**

Jan. 26, 2017 (CN) ..... 2017 3 0030911

(Continued)

(51) **LOC (11) Cl.** ..... **14-02**

*Primary Examiner* — Barbara Fox

(52) **U.S. Cl.**

*Assistant Examiner* — Kristen E Reed

USPC ..... **D14/344**

(74) *Attorney, Agent, or Firm* — WPAT, PC

(58) **Field of Classification Search**

(57) **CLAIM**

USPC ... D14/344, 138 R, 144, 341, 358, 485-489, D14/218; D10/30-39, 70, 98; D11/3, D11/93-94; D24/167, 169, 186-187; 361/679.03; 379/433.1; D13/108

The ornamental design for a smart band, as shown and described.

CPC .. A41D 1/002; G06F 1/04; G06F 1/08; G06F 1/10; G06F 1/14; G06F 1/1626; G06F 1/1628; G06F 1/163; G06F 1/1635; G06F 1/3203; G06Q 20/10; G06Q 20/12; G06Q 20/108; G06Q 20/145; H04B 1/3833; H04B 1/385; H04B 1/3888; H04M 1/02; H04M 1/03; H04M 1/04; H04M 1/05;

**DESCRIPTION**

FIG. 1 is a perspective view of a smart band showing my new design;  
FIG. 2 is a front view thereof;  
FIG. 3 is a back view thereof;  
FIG. 4 is a left view thereof;  
FIG. 5 is a right view thereof;  
FIG. 6 is a top view thereof;

(Continued)

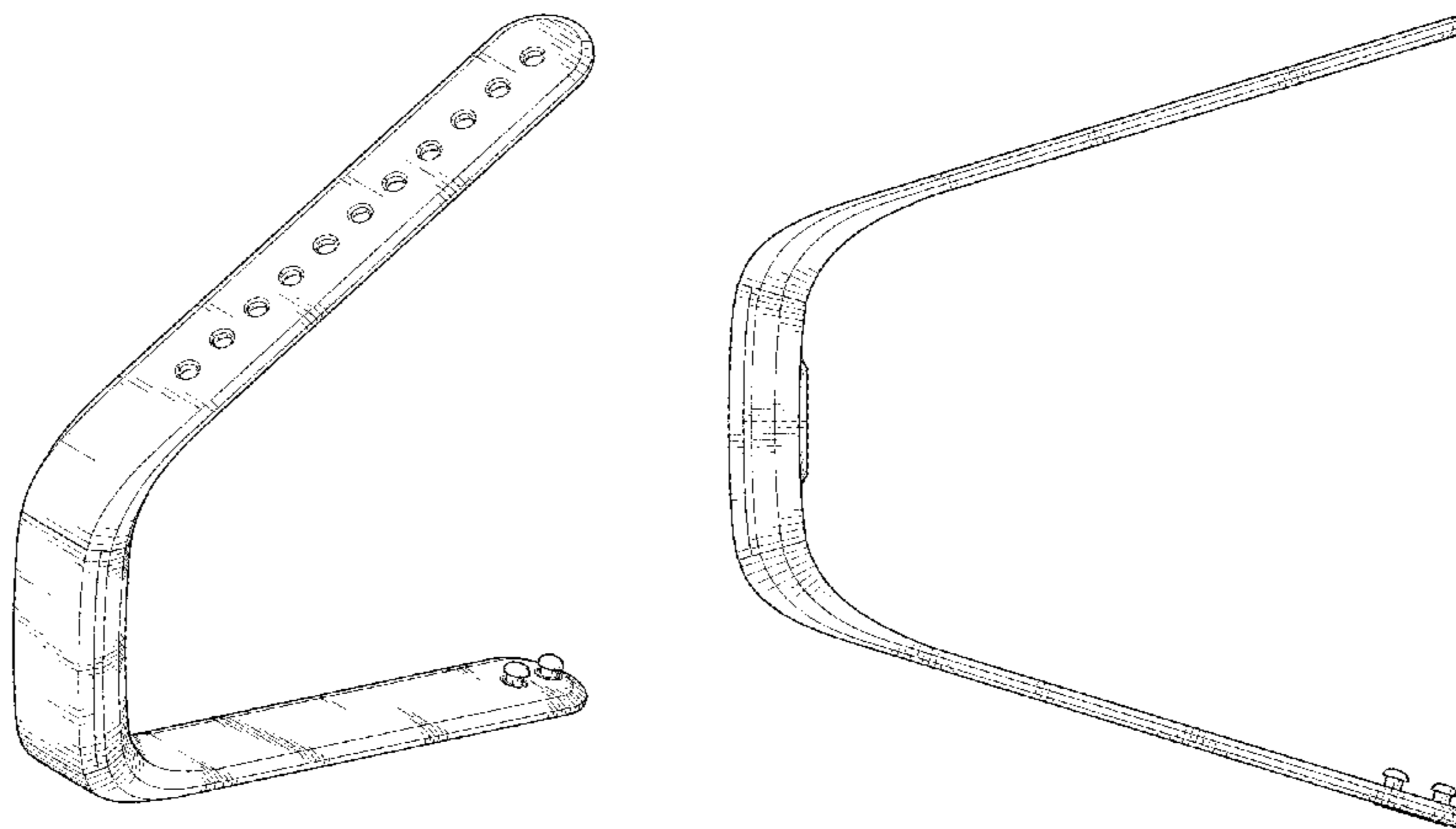


FIG. 7 is a bottom view thereof; and,  
 FIG. 8 is another perspective view thereof.

**1 Claim, 8 Drawing Sheets**

(56)

**References Cited**

U.S. PATENT DOCUMENTS

D747,714	S *	1/2016	Erbeus .....	D10/32
D751,549	S *	3/2016	Park .....	D10/38
D757,583	S *	5/2016	Roush .....	D10/70
D759,516	S *	6/2016	Ling .....	D10/30
9,420,856	B2 *	8/2016	Proud .....	A44C 5/0015
9,674,697	B2 *	6/2017	Lee .....	H04W 12/02
D796,045	S *	8/2017	Henning .....	D14/344
2011/0319024	A1 *	12/2011	Fish .....	H04B 5/0006 455/41.3

OTHER PUBLICATIONS

12 Gym Bag Essentials, posted 2016, [retrieved Jan. 3, 2018]. Retrieved from Internet, <URL: <https://gearmoose.com/12-gym-bag-essentials/> >.\*

Fitbit Blaze and Fitbit Alta to get even prettier, posted Aug. 29, 2016, [retrieved Jan. 3, 2018]. Retrieved from Internet, <URL: <https://www.androidauthority.com/fitbit-blaze-fitbit-alta-get-accessory-updates-713238/> >.\*

Sony SmartBand Talk review: A fitness tracker with smartwatch aspirations, posted Nov. 19, 2014, [retrieved Jan. 3, 2018]. Retrieved from Internet, <URL: <http://www.digitalspy.com/tech/wearables/review/a609768/sony-smartband-talk-review-a-fitness-tracker-with-smartwatch-aspirations/> >.\*

Fengfanglin Black i5 Plus Sports Watch Fitness Tracker, posted Aug. 3, 2017, [retrieved Jan. 3, 2018]. Retrieved from Internet, <URL: <https://www.amazon.in/Fengfanglin-Resistant-Bluetooth-Wristband-Wireless/dp/B017646TNO> >.\*

\* cited by examiner

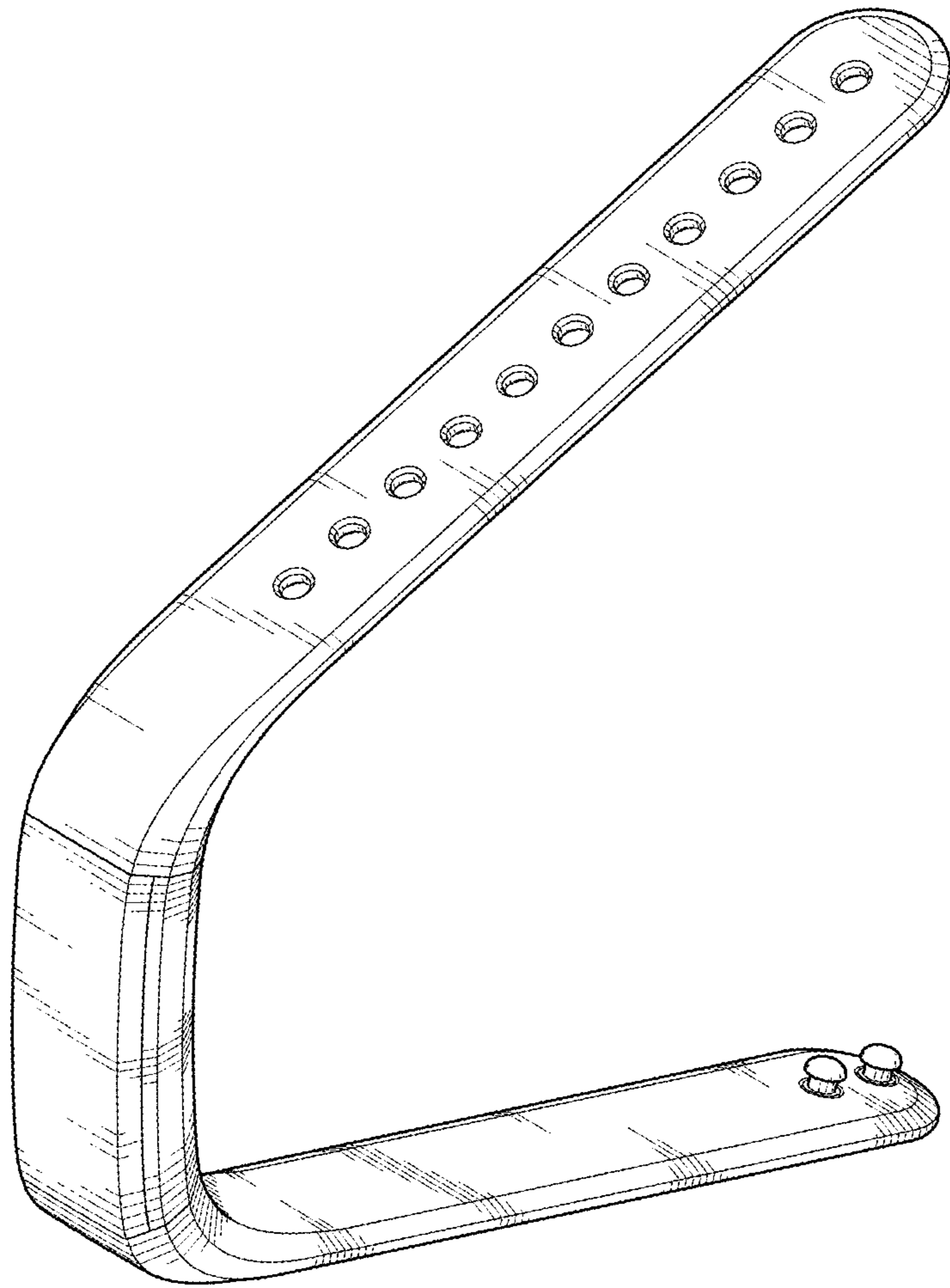


FIG. 1

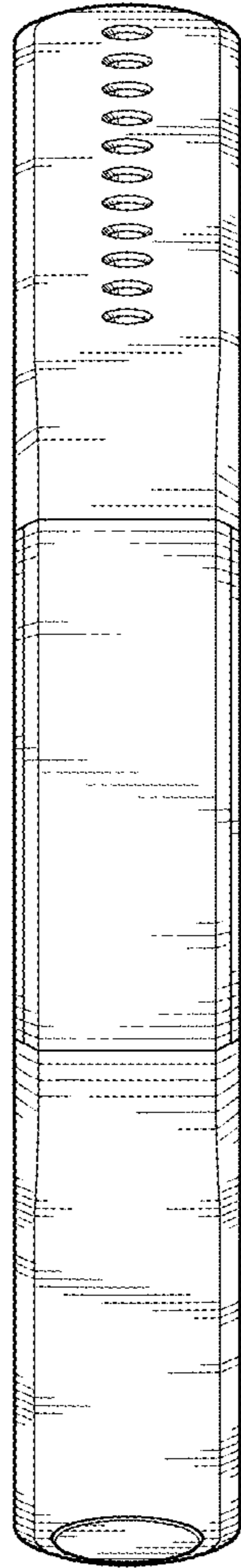


FIG. 2

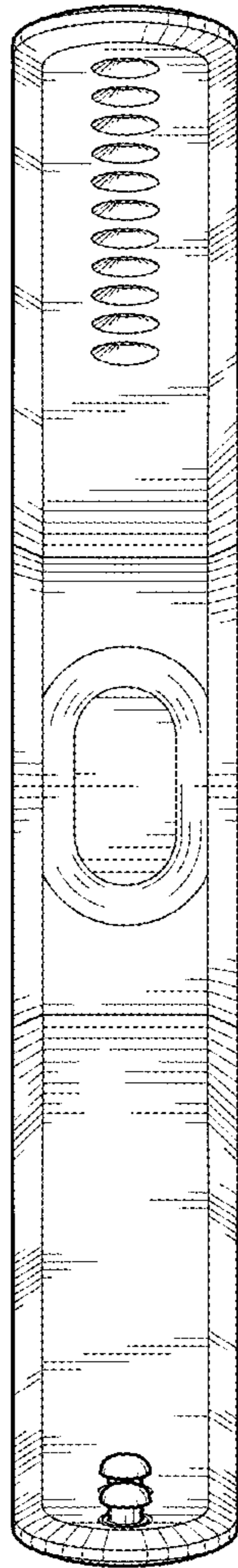


FIG. 3

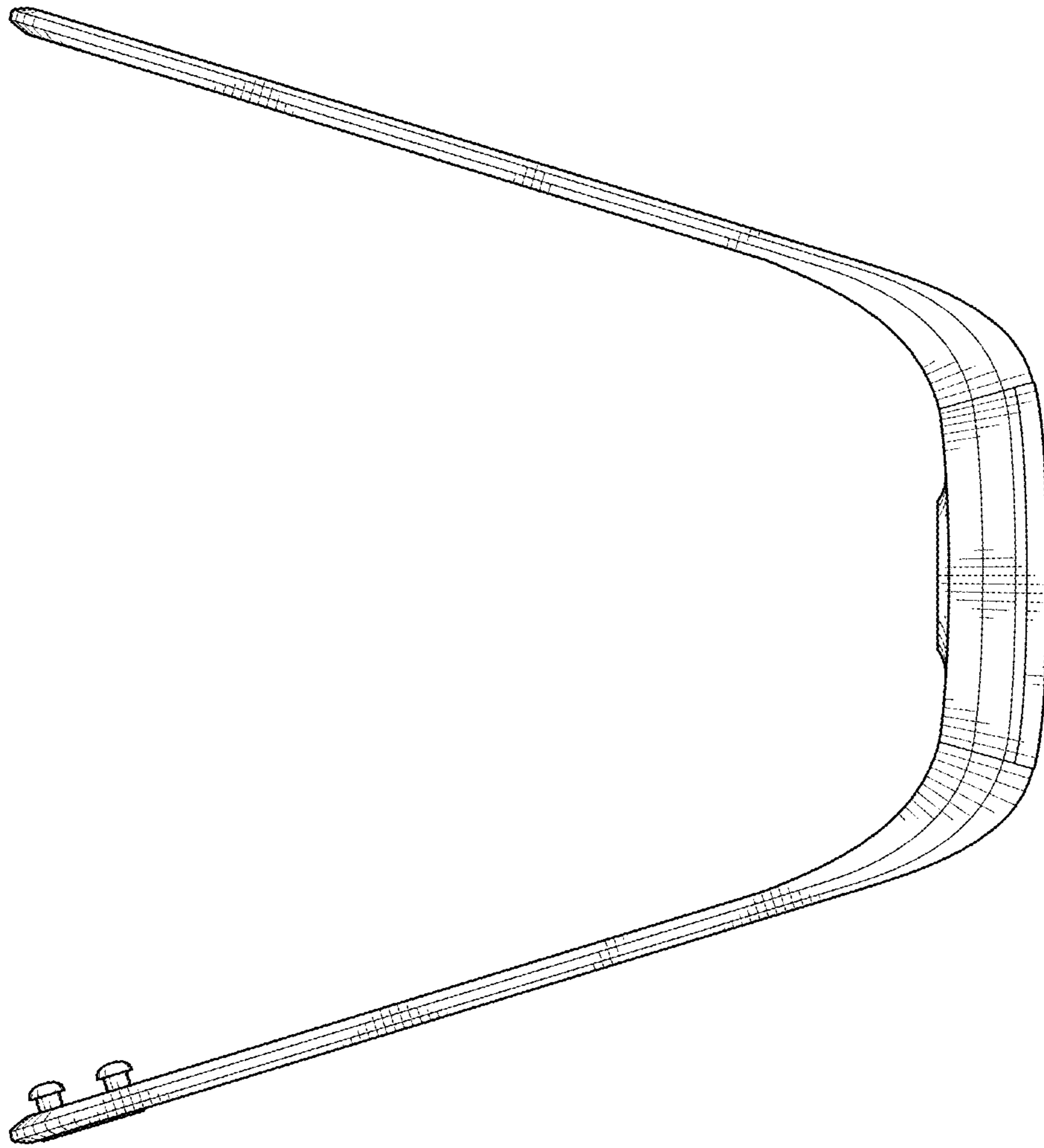


FIG. 4

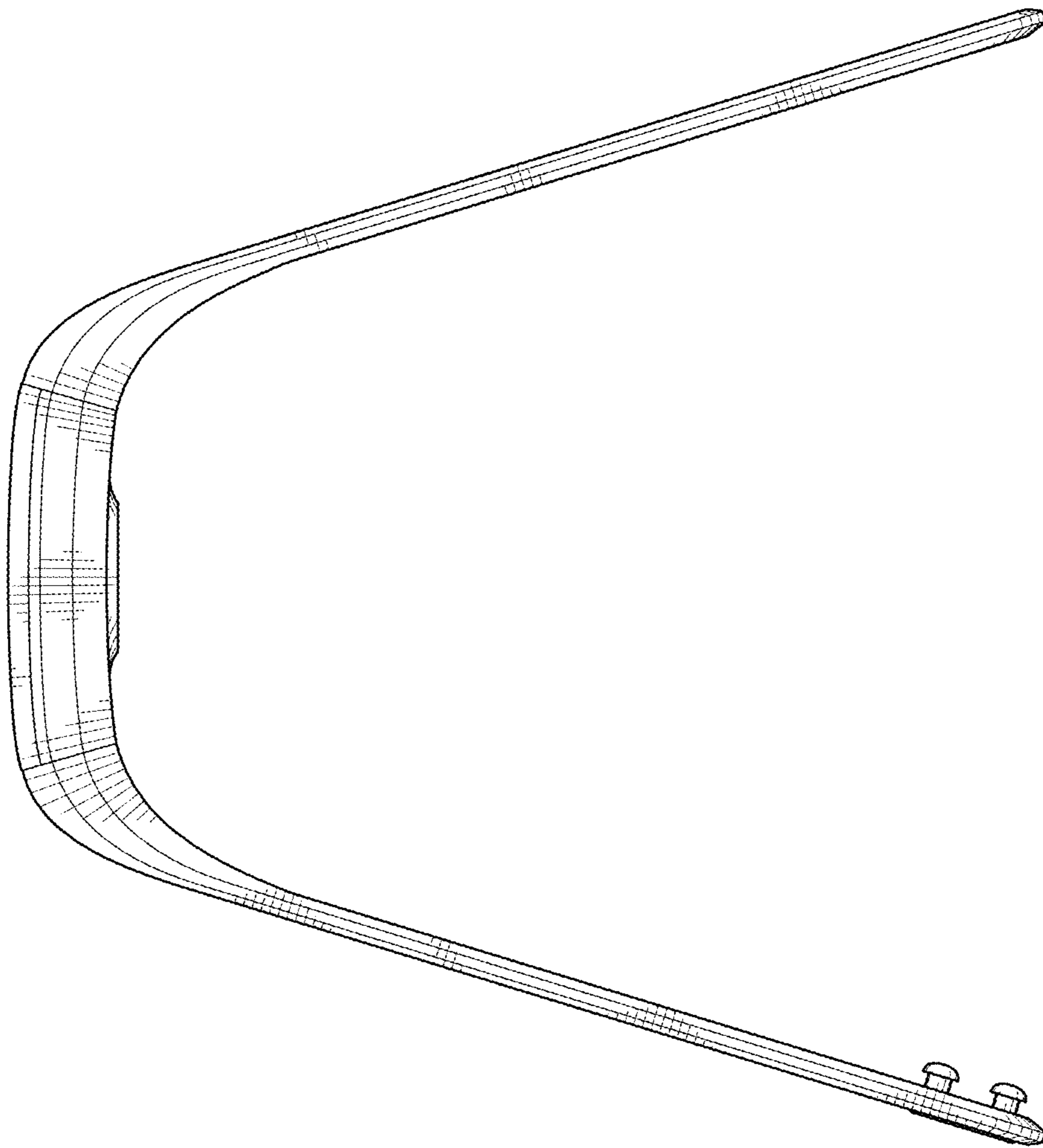


FIG. 5

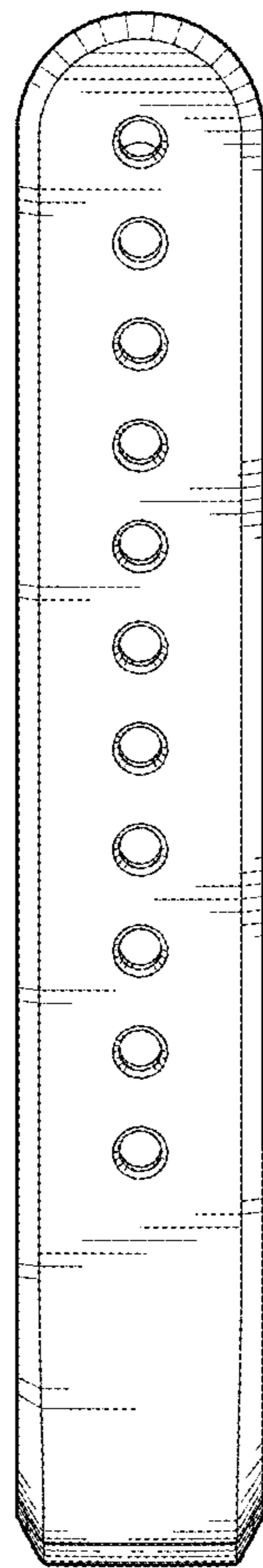


FIG. 6



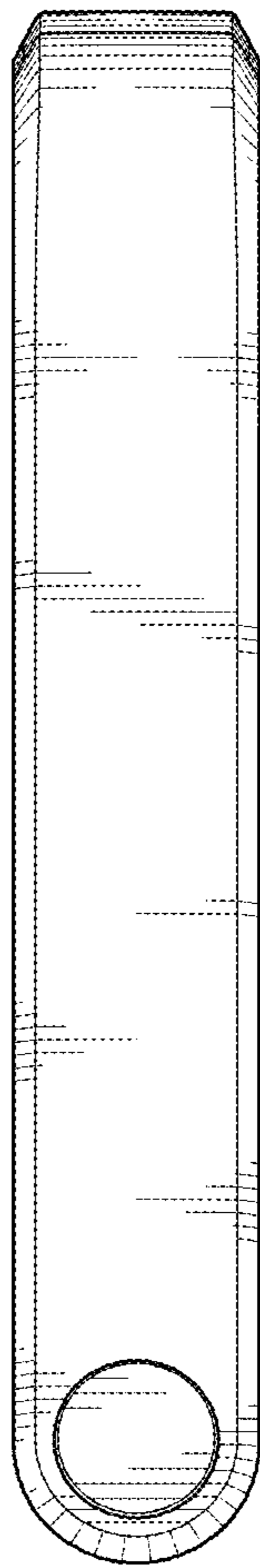


FIG. 7

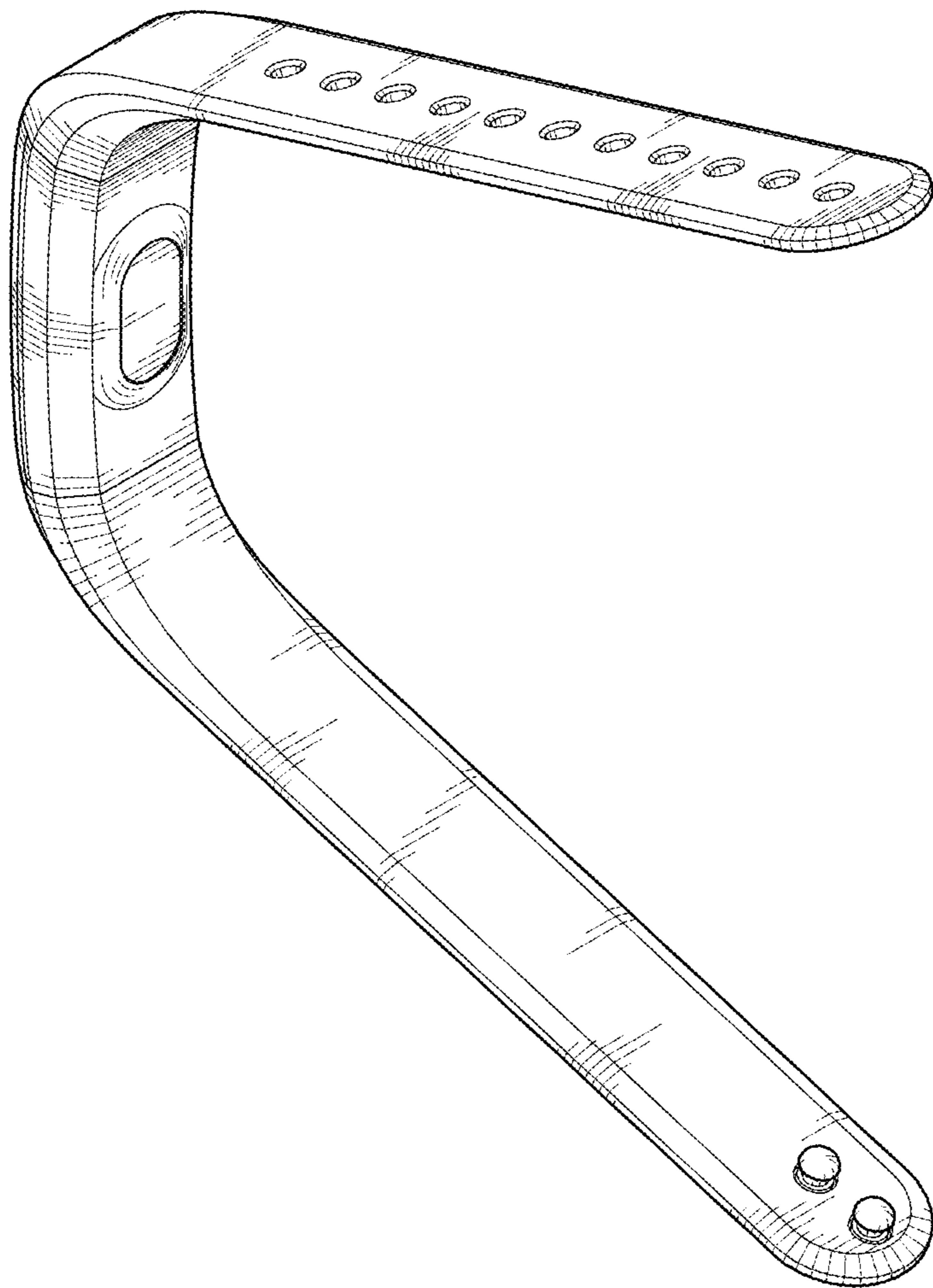


FIG. 8