



US00D831642S

(12) **United States Design Patent**  
**Seo et al.**

(10) **Patent No.:** **US D831,642 S**  
(45) **Date of Patent:** **\*\* Oct. 23, 2018**

(54) **PORTABLE ELECTRONIC TERMINAL**

- (71) Applicant: **SAMSUNG DISPLAY CO., LTD.**,  
Yongin-si, Gyeonggi-Do (KR)
- (72) Inventors: **Young-Seok Seo**, Seoul (KR);  
**Mugyeom Kim**, Hwaseong-si (KR)
- (73) Assignee: **SAMSUNG DISPLAY CO., LTD.**,  
Yongin-si, Gyeonggi-Do (KR)

(\*\*) Term: **15 Years**

(21) Appl. No.: **29/576,963**

(22) Filed: **Sep. 8, 2016**

(30) **Foreign Application Priority Data**

Apr. 6, 2016 (KR) ..... 30-2016-0016222

(51) **LOC (11) Cl.** ..... **14-02**

(52) **U.S. Cl.**  
USPC ..... **D14/344**

(58) **Field of Classification Search**

USPC ... D14/344, 138 R, 144, 341, 358, 485-489,  
D14/218; D10/30-39, 70, 98; D11/3,  
D11/93-94; D24/167, 169, 186-187;  
361/679.03; 379/433.1; D13/108  
CPC .. A41D 1/002; G06F 1/04; G06F 1/08; G06F  
1/10; G06F 1/14; G06F 1/1626; G06F  
1/1628; G06F 1/163; G06F 1/1635; G06F  
1/3203; G06Q 20/10; G06Q 20/12; G06Q  
20/108; G06Q 20/145; H04B 1/3833;  
H04B 1/385; H04B 1/3888; H04M 1/02;  
H04M

(Continued)

(56) **References Cited**

**U.S. PATENT DOCUMENTS**

- 3,545,198 A \* 12/1970 Loftus ..... G04B 37/10  
368/281
- 4,958,279 A \* 9/1990 Proellochs ..... G04B 37/1433  
224/179

(Continued)

**OTHER PUBLICATIONS**

Motorola's expanding their smartwatch line with the fitness-oriented Moto 360 Sport., posted Dec. 15, 2015, [retrieved Jan. 2, 2018]. Retrieved from Internet, <URL: <https://www.androidcentral.com/wrist-first-impressions-moto-360-sport-smartwatch> >.\*

(Continued)

*Primary Examiner* — Barbara Fox

*Assistant Examiner* — Kristin E Reed

(74) *Attorney, Agent, or Firm* — F. Chau & Associates, LLC

(57) **CLAIM**

The ornamental design for a portable electronic terminal, as shown and described.

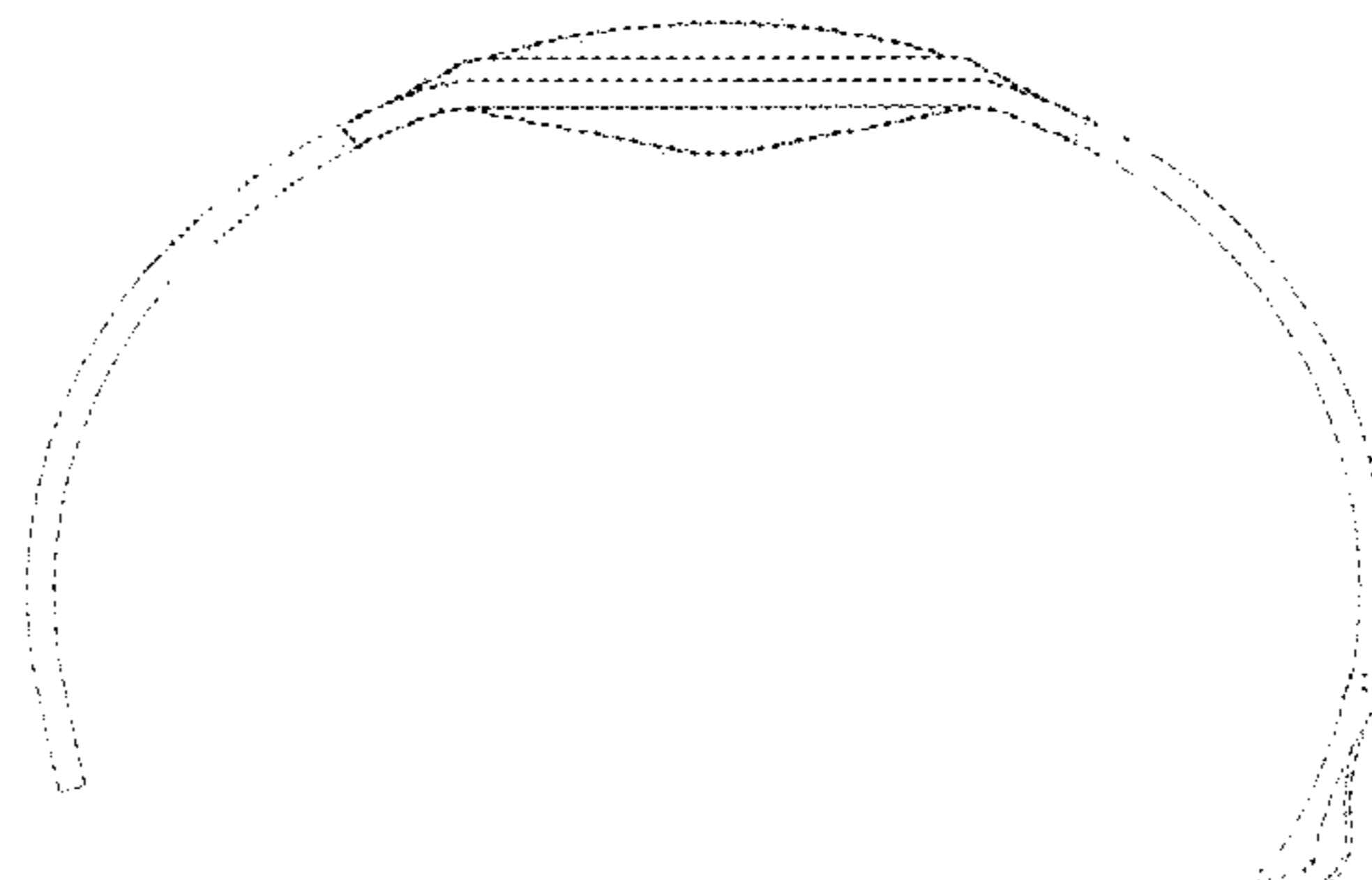
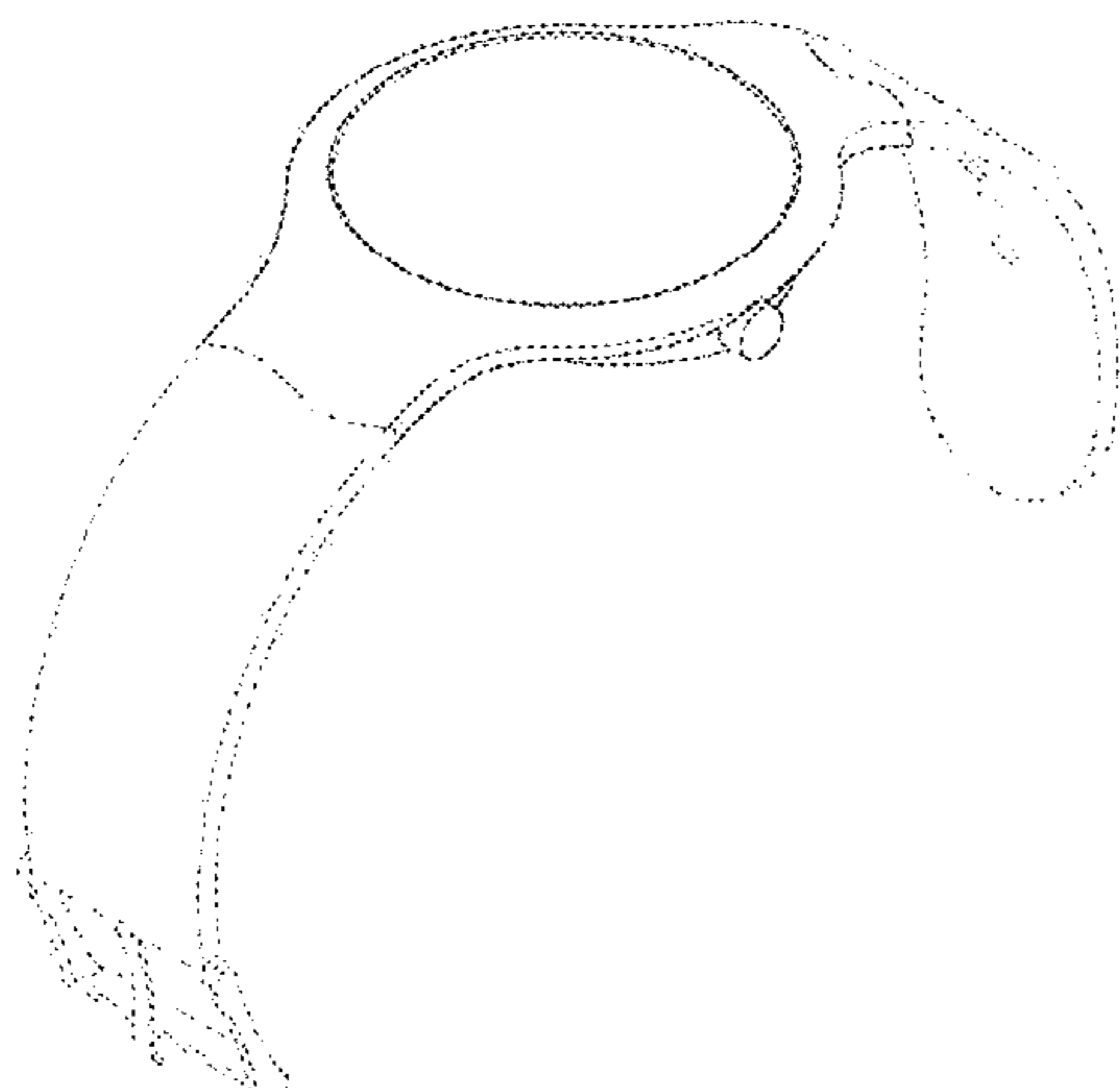
**DESCRIPTION**

FIG. 1 is a perspective view of an embodiment of a portable electronic terminal showing our new design;  
FIG. 2 is a front view thereof;  
FIG. 3 is a rear view thereof;  
FIG. 4 is a right side view thereof;  
FIG. 5 is a left side view thereof;  
FIG. 6 is a top view thereof;  
FIG. 7 is a bottom view thereof; and,  
FIG. 8 is a perspective view illustrating a state where a circular portion of the portable electronic terminal of FIG. 1 is separated from a remaining portion of the portable electronic terminal;

The broken lines shown in the drawings depict portions of the portable electronic terminal. The dot-dash lines shown in the drawings depict the bounds of the claim. The broken lines form no part of the claimed design.

Our design is characterized by a watch strap that is continuously and naturally formed to encircle and hold a watch case or housing.

**1 Claim, 5 Drawing Sheets**



(58) **Field of Classification Search**  
CPC ..... 1/03; H04M 1/04; H04M 1/05; H04M  
1/667; H04M 1/6058; Y02B 60/1217  
See application file for complete search history.

D781,852 S \* 3/2017 Yu ..... D14/344  
D784,177 S \* 4/2017 Kaiser ..... D11/2  
9,647,711 B2 \* 5/2017 Okano ..... H04B 1/385  
D793,875 S \* 8/2017 Mistry ..... D10/30  
D794,012 S \* 8/2017 Mitsugi ..... D10/38  
D795,251 S \* 8/2017 Mistry ..... D14/344

(56) **References Cited**

U.S. PATENT DOCUMENTS

D398,247 S \* 9/1998 Dumas ..... D10/126  
D434,678 S \* 12/2000 Raetz ..... D10/32  
D566,580 S \* 4/2008 Giorgio ..... D10/32  
D687,736 S \* 8/2013 Wycoff ..... D11/3  
D698,689 S \* 2/2014 Boyd ..... D11/4  
D717,760 S 11/2014 Kim et al.  
D718,170 S \* 11/2014 Aumiller ..... D10/32  
D726,676 S \* 4/2015 Park ..... D10/38  
D738,748 S \* 9/2015 Bibl ..... D10/32  
D749,965 S \* 2/2016 Lutgen ..... D10/126  
D769,765 S \* 10/2016 Tao ..... D11/5

OTHER PUBLICATIONS

Misfit Shine Review & Misfit Flash, posted 2014, [retrieved Jan. 2, 2018]. Retrieved from Internet, <URL: <http://triedonline.com/misfit-shine-review-misfit-flash/>>.\*

Best of Machine and Digital, posted Jun. 25, 2010, [retrieved Jan. 2, 2018]. Retrieved from Internet, <URL: <http://www.yankodesign.com/2010/06/25/best-of-machine-and-digital/>>.\*

Polar M200 Wrist Straps, posted Sep. 20, 2017, [retrieved Jan. 2, 2018]. Retrieved from Internet, <URL: <https://www.amazon.co.uk/Polar-M200-Wrist-Straps/dp/B075SVG8VH>>.\*

\* cited by examiner

FIG. 1

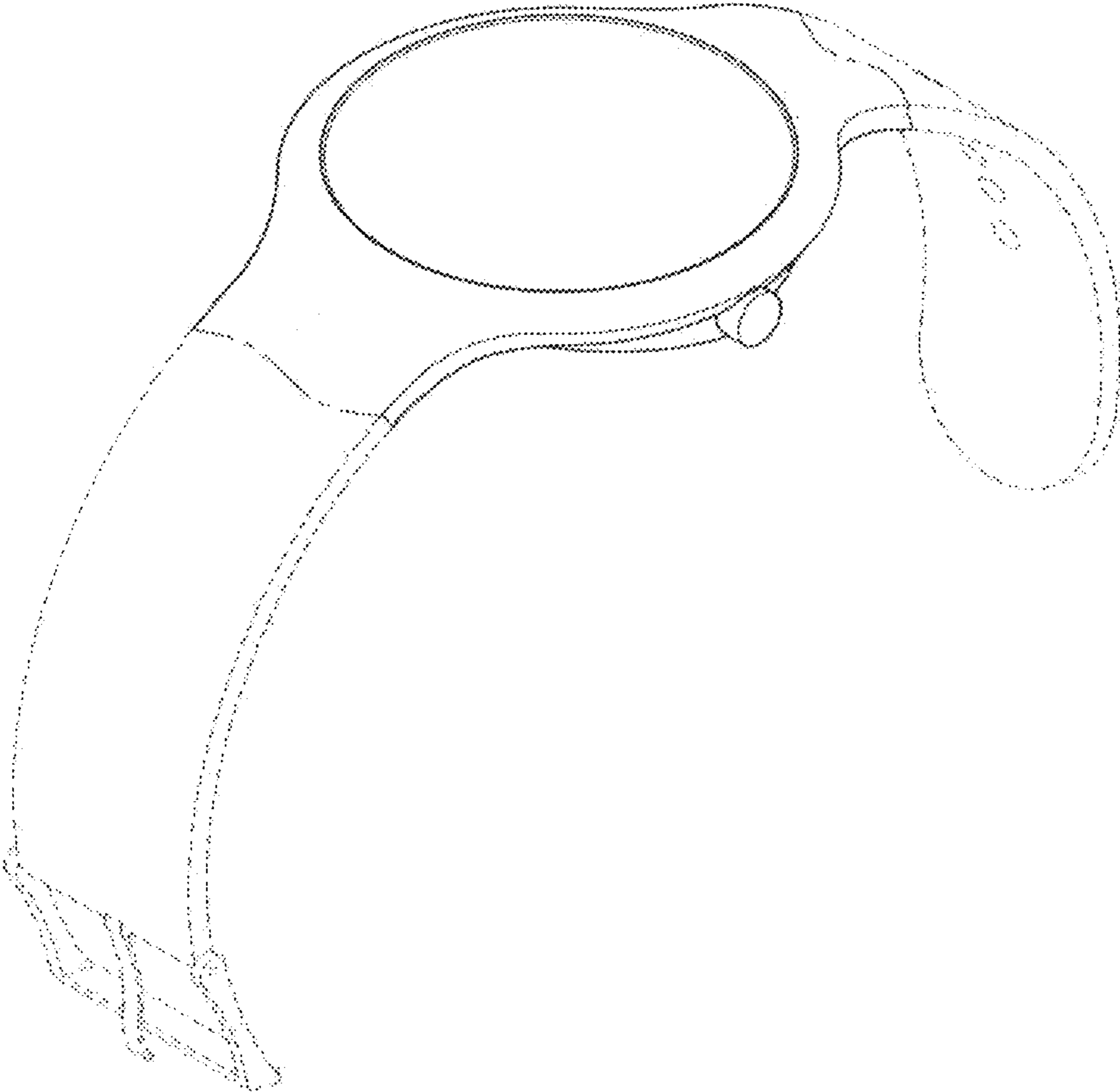


FIG. 2

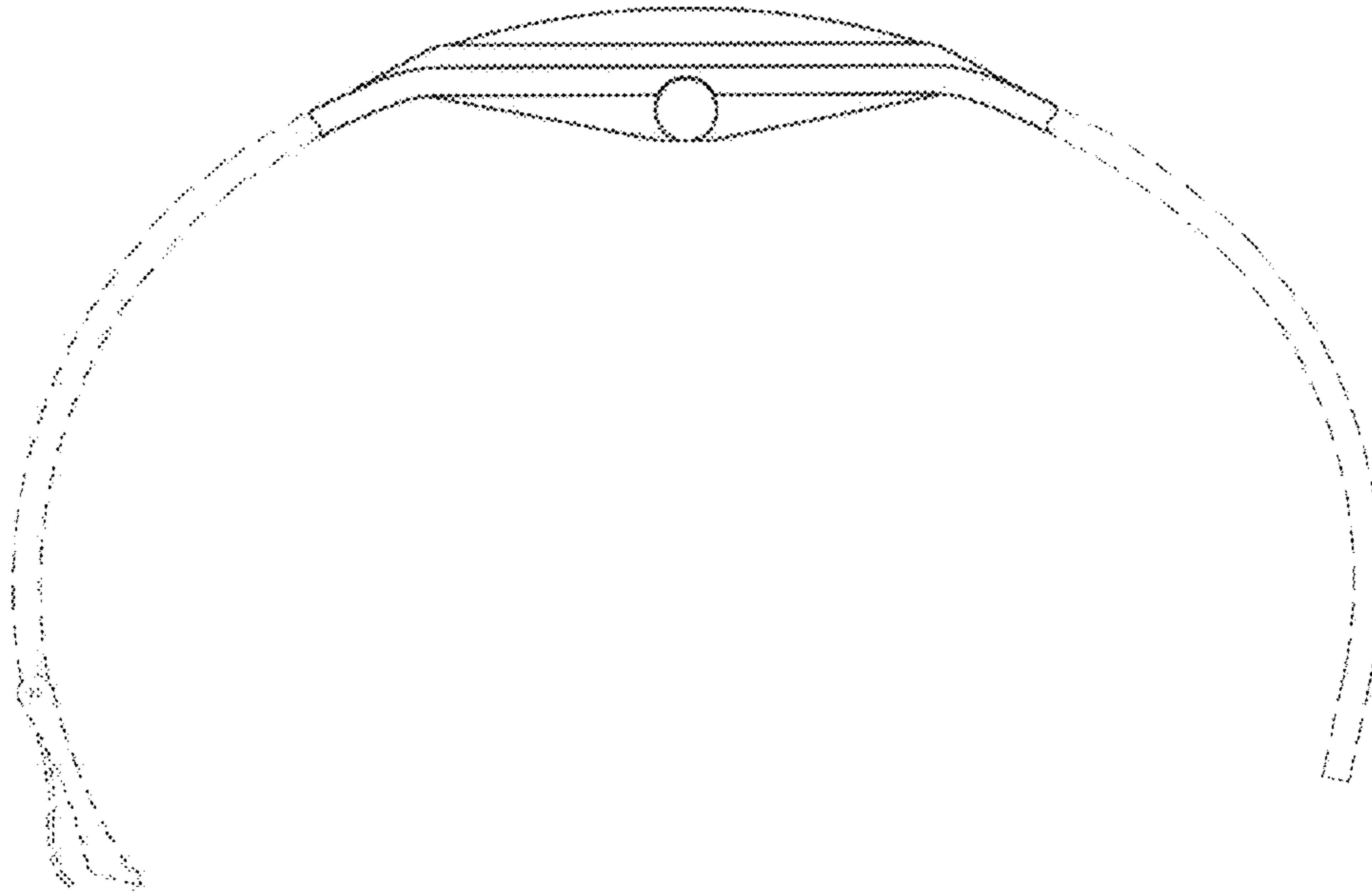


FIG. 3

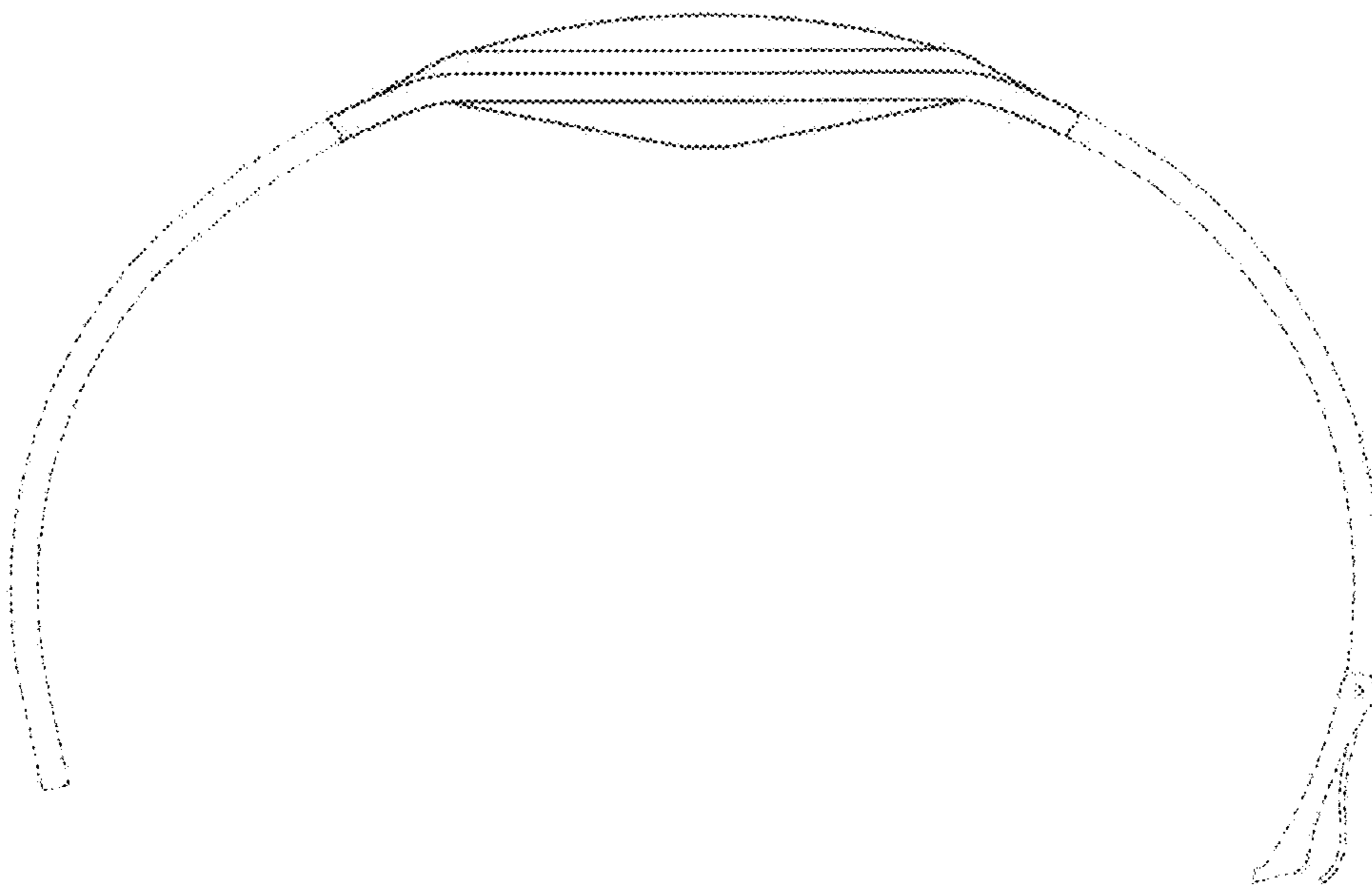


FIG. 4

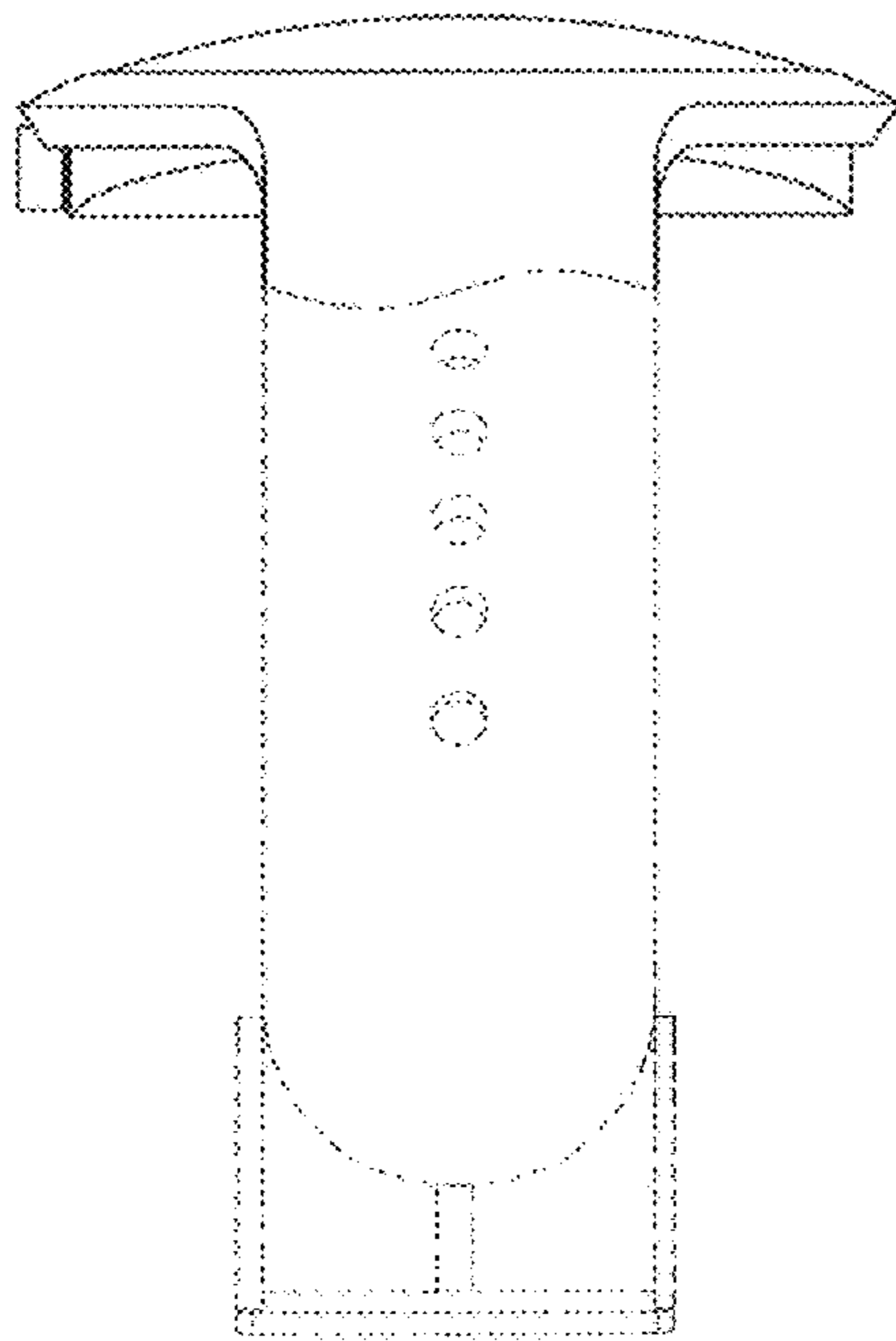


FIG. 5

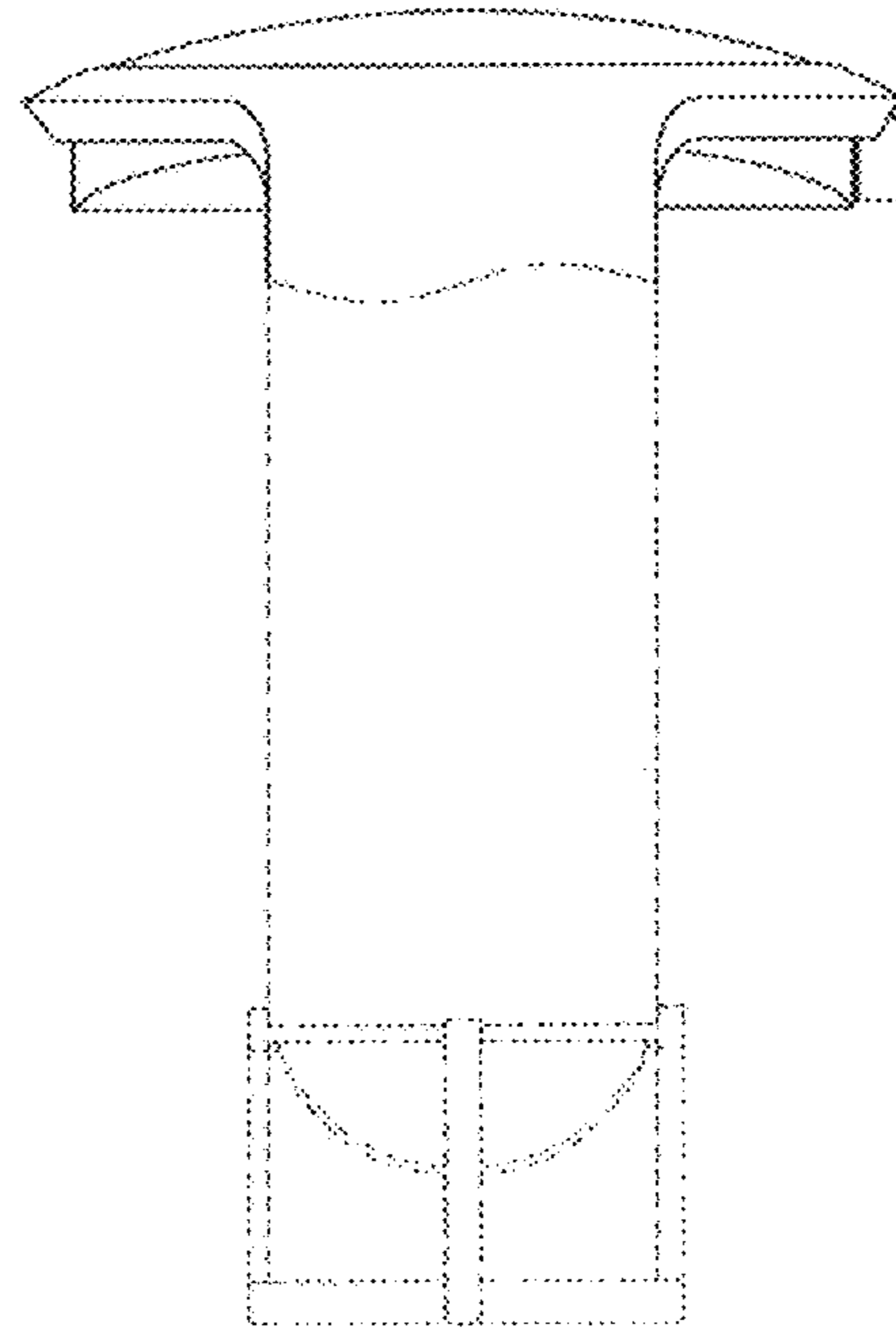


FIG. 6

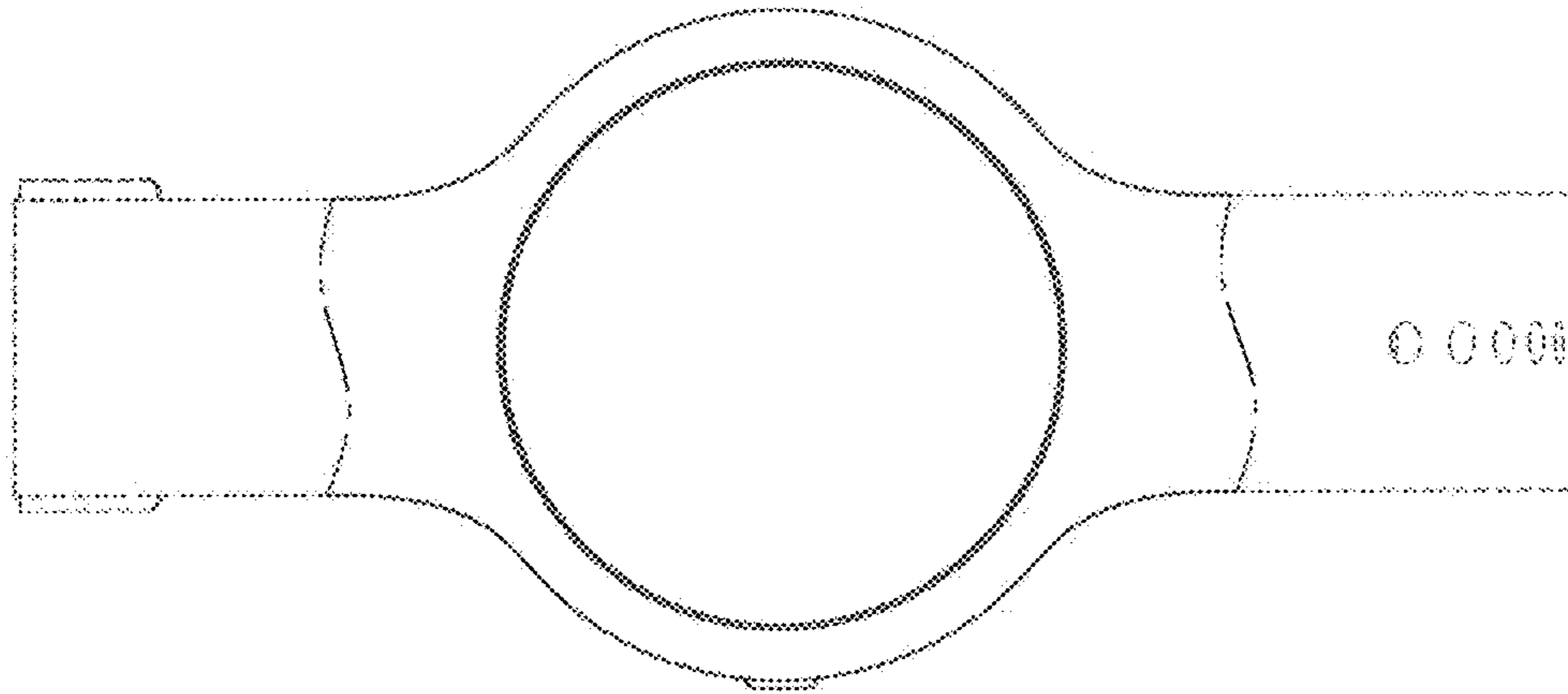


FIG. 7

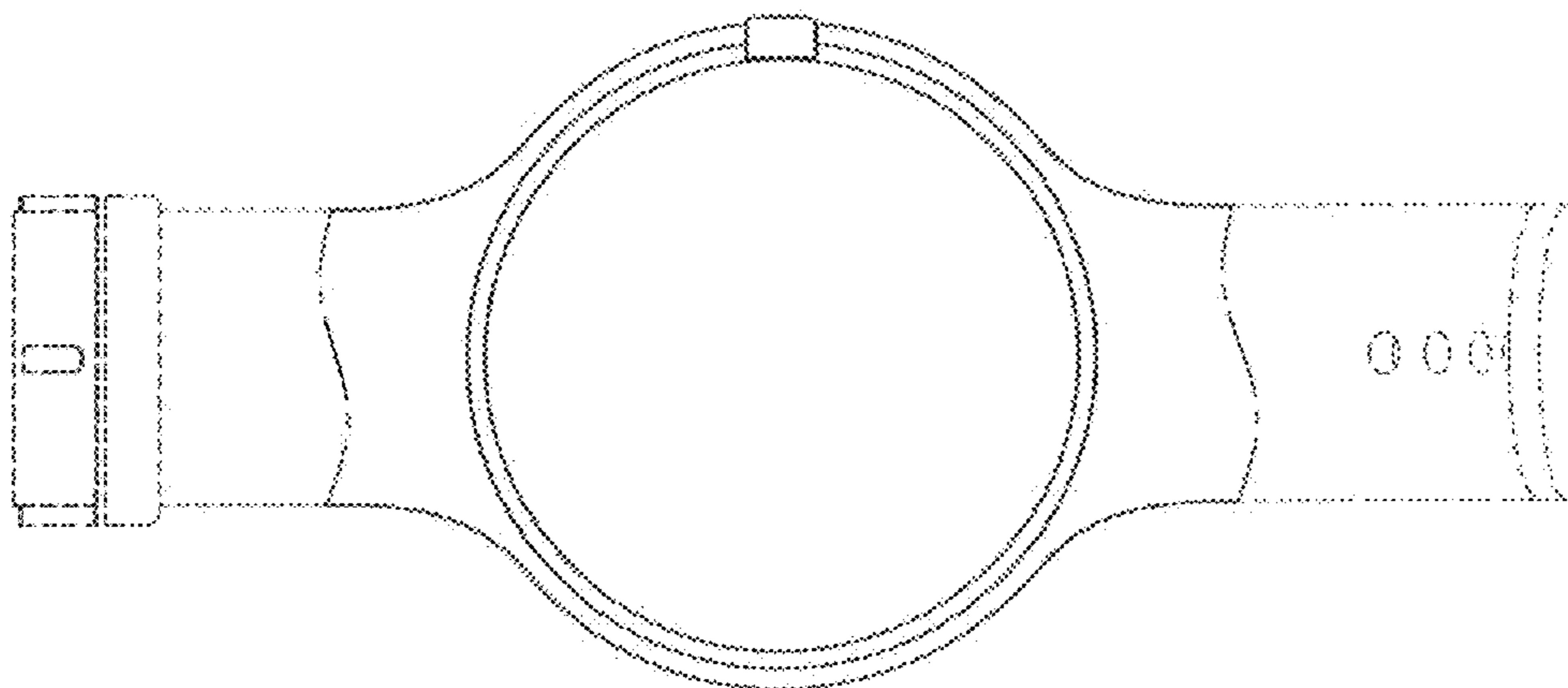


FIG. 8

