



US00D831640S

(12) **United States Design Patent** (10) **Patent No.:** **US D831,640 S**
Tivnon et al. (45) **Date of Patent:** **** Oct. 23, 2018**

(54) **COMPUTER**

A47F 5/00; A47F 7/024; G08B 13/1445;
B60R 11/0235

(71) Applicant: **HEWLETT-PACKARD
DEVELOPMENT COMPANY, L.P.,**
Houston, TX (US)

See application file for complete search history.

(72) Inventors: **Matthew W. Tivnon**, Houston, TX
(US); **Marcus Hoggarth**, London (GB);
Jack Godfrey Wood, London (GB);
Oliver Poyntz, London (GB); **Ian Guy**,
London (GB); **Isaac Teece**, London
(GB); **Stephen De Saulles**, London
(GB)

(56) **References Cited**

U.S. PATENT DOCUMENTS

(73) Assignee: **Hewlett-Packard Development
Company, L.P.**, Houston, TX (US)

D252,629	S	*	8/1979	Evans, Jr.	D14/133
D434,738	S	*	12/2000	Takemasa	D14/133
D460,055	S	*	7/2002	Rosen	B60R 11/0235
						D14/126
7,740,214	B2	*	6/2010	Marsilio	A47F 7/024
						248/178.1
7,748,669	B2	*	7/2010	Lu	F16M 11/14
						248/181.1
D645,047	S	*	9/2011	Wike	D14/447
D691,989	S	*	10/2013	Micallef	D14/239
D728,576	S	*	5/2015	David	D14/434
D756,152	S	*	5/2016	Schwalbach	D6/677.4
2003/0058372	A1	*	3/2003	Williams	F16M 11/18
						348/836
2011/0047844	A1	*	3/2011	Fawcett	G08B 13/1445
						40/642.02

(**) Term: **15 Years**

* cited by examiner

(21) Appl. No.: **29/609,356**

Primary Examiner — Freda S Nunn

(22) Filed: **Jun. 29, 2017**

(74) *Attorney, Agent, or Firm* — Foley & Lardner LLP

(51) **LOC (11) Cl.** **14-02**

(52) **U.S. Cl.**
USPC **D14/314**; D14/371

(57) **CLAIM**

We claim the ornamental design for a computer, as shown and described.

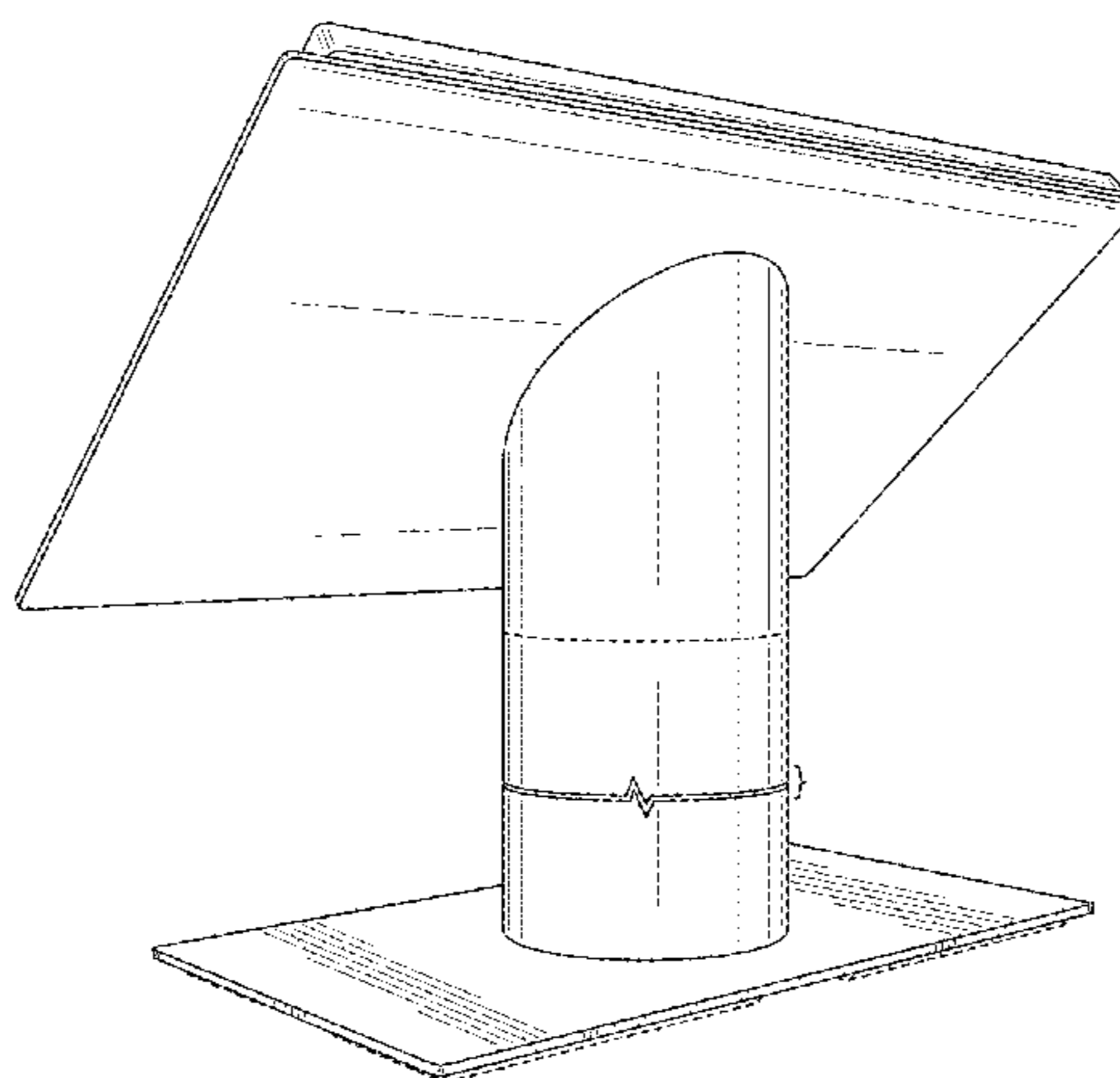
(58) **Field of Classification Search**
USPC D14/371–376, 125–129, 336, 337, 447,
D14/448, 451; D6/300, 308, 329, 641,
D6/642, 682, 708, 708.17; D19/113, 114;
D20/10

DESCRIPTION

FIG. 1 is a perspective view of the claimed design;
FIG. 2 is a front elevational view thereof;
FIG. 3 is a rear elevational view thereof;
FIG. 4 is a right side elevational view thereof;
FIG. 5 is a left side elevational view thereof;
FIG. 6 is a top plan view thereof; and,
FIG. 7 is a bottom plan view thereof.
The broken lines shown in the drawings form no part of the
claimed design. Further, the broken away lines in the draw-
ings indicate an indeterminate length, and the portion of the

(Continued)

CPC G09F 15/0025; G09F 15/0062; G09F
15/0068; G06F 1/16; G06F 1/1613; G06F
1/133308; G06F 1/1601; G06F 3/037;
G06F 1/162; F16M 11/02; F16M 11/10;
F16M 11/00; F16M 11/06; F16M 11/14;
F16M 11/18; F16M 11/045; F16M
11/105; F16M 11/041; F16M 11/126;
F16M 11/04; F16M 11/24; F16M 13/02;



computer that may be visible between the broken away lines
forms no part of the claimed design.

1 Claim, 6 Drawing Sheets

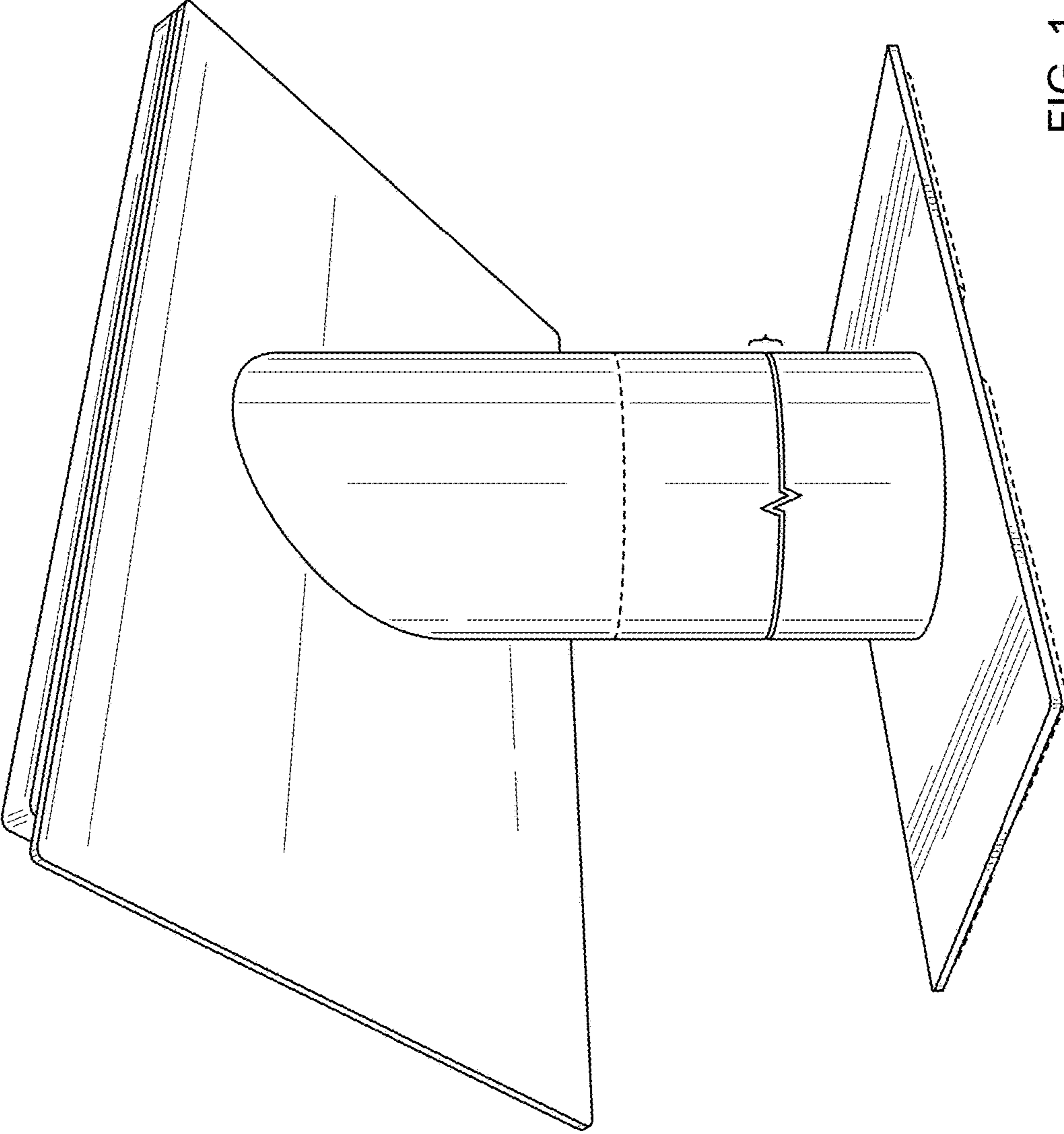


FIG. 1

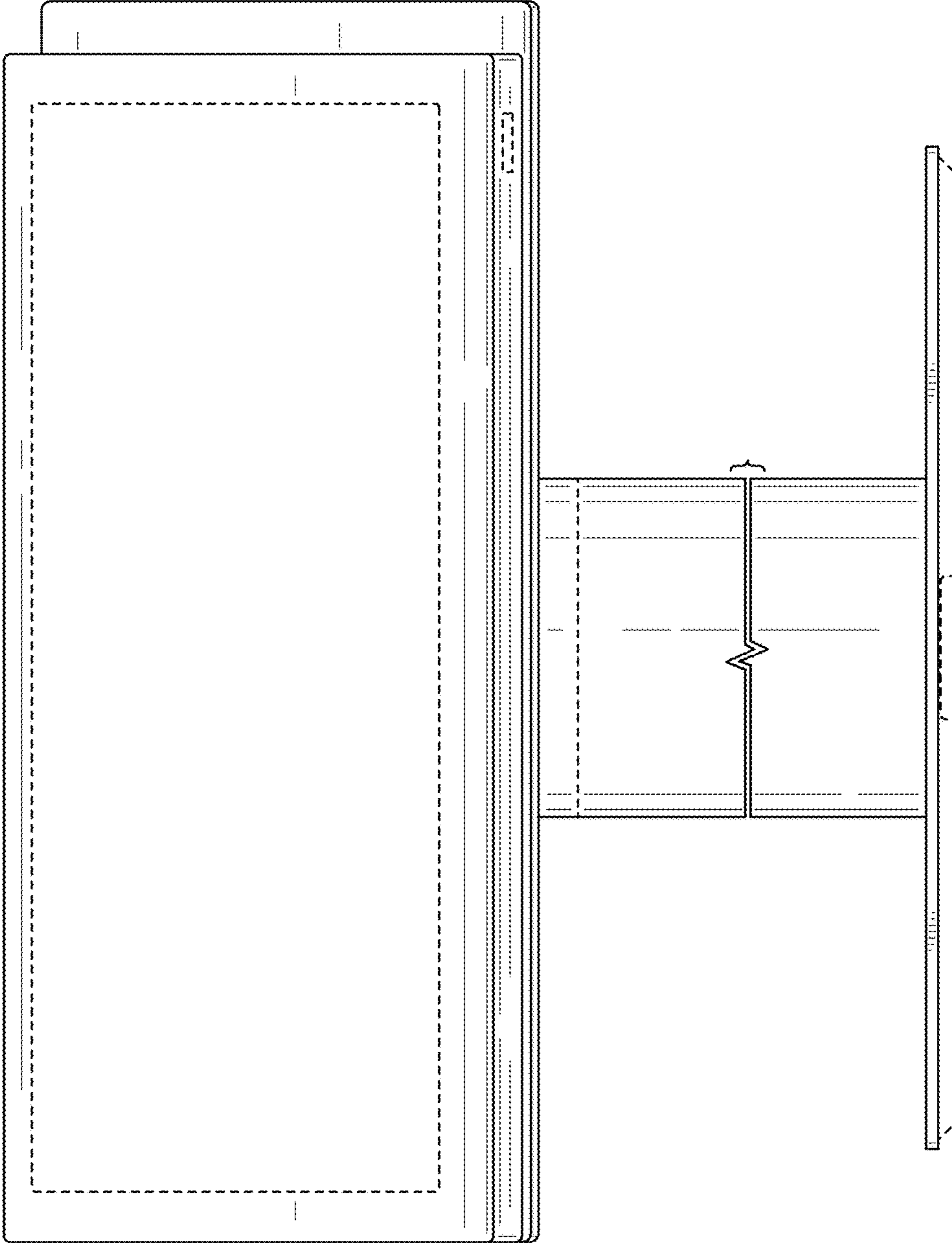


FIG. 2

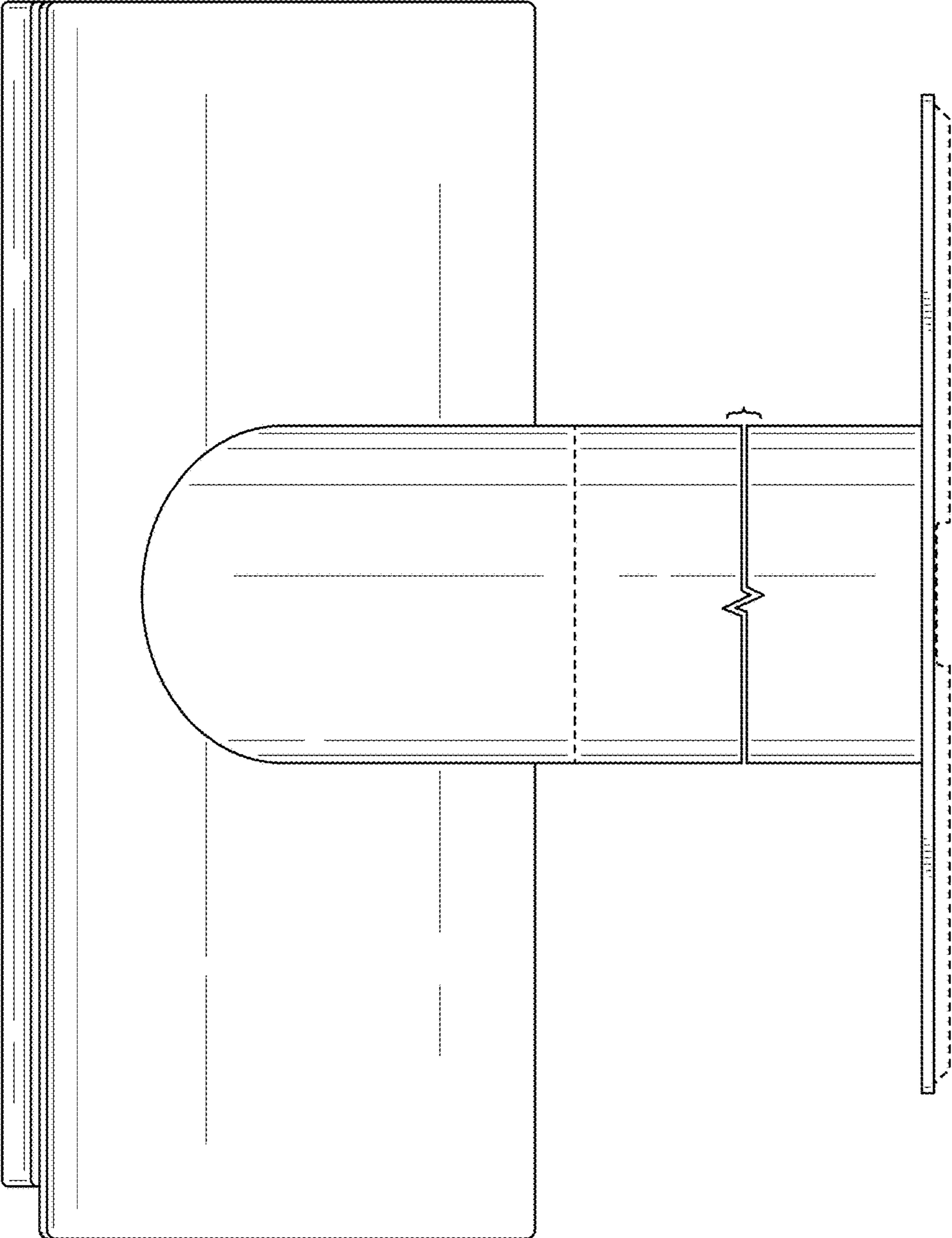


FIG. 3

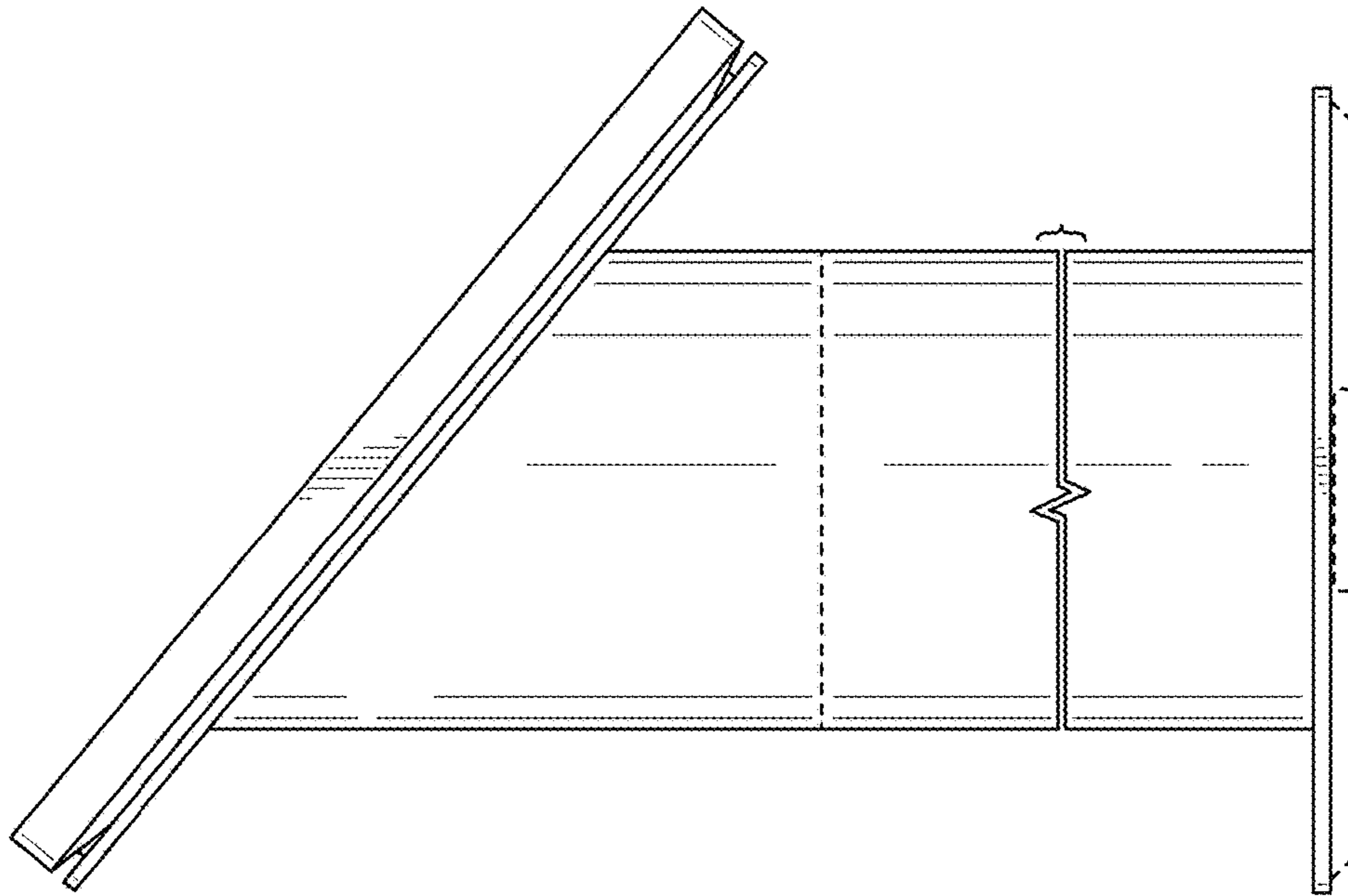


FIG. 5

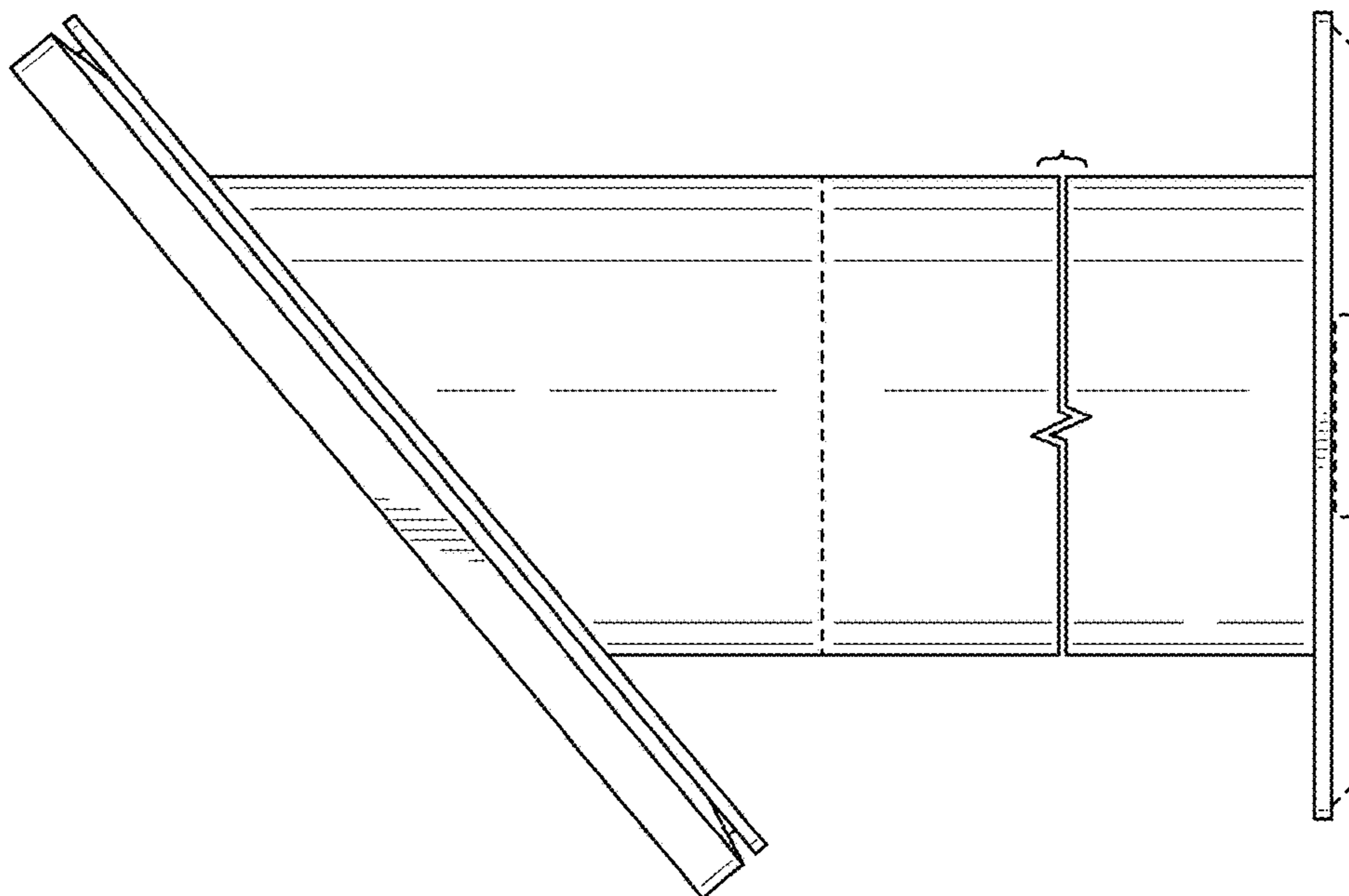


FIG. 4

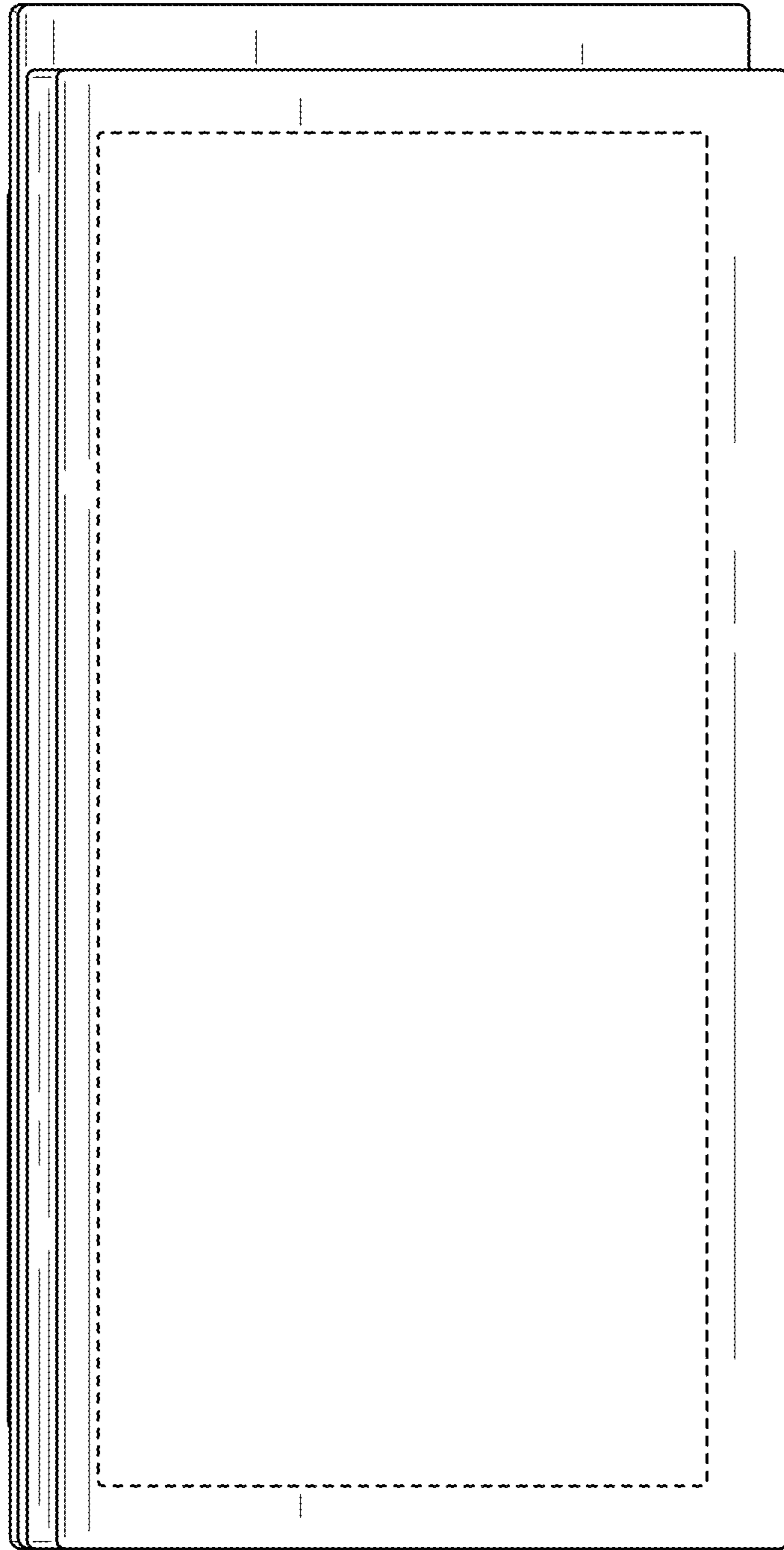


FIG. 6

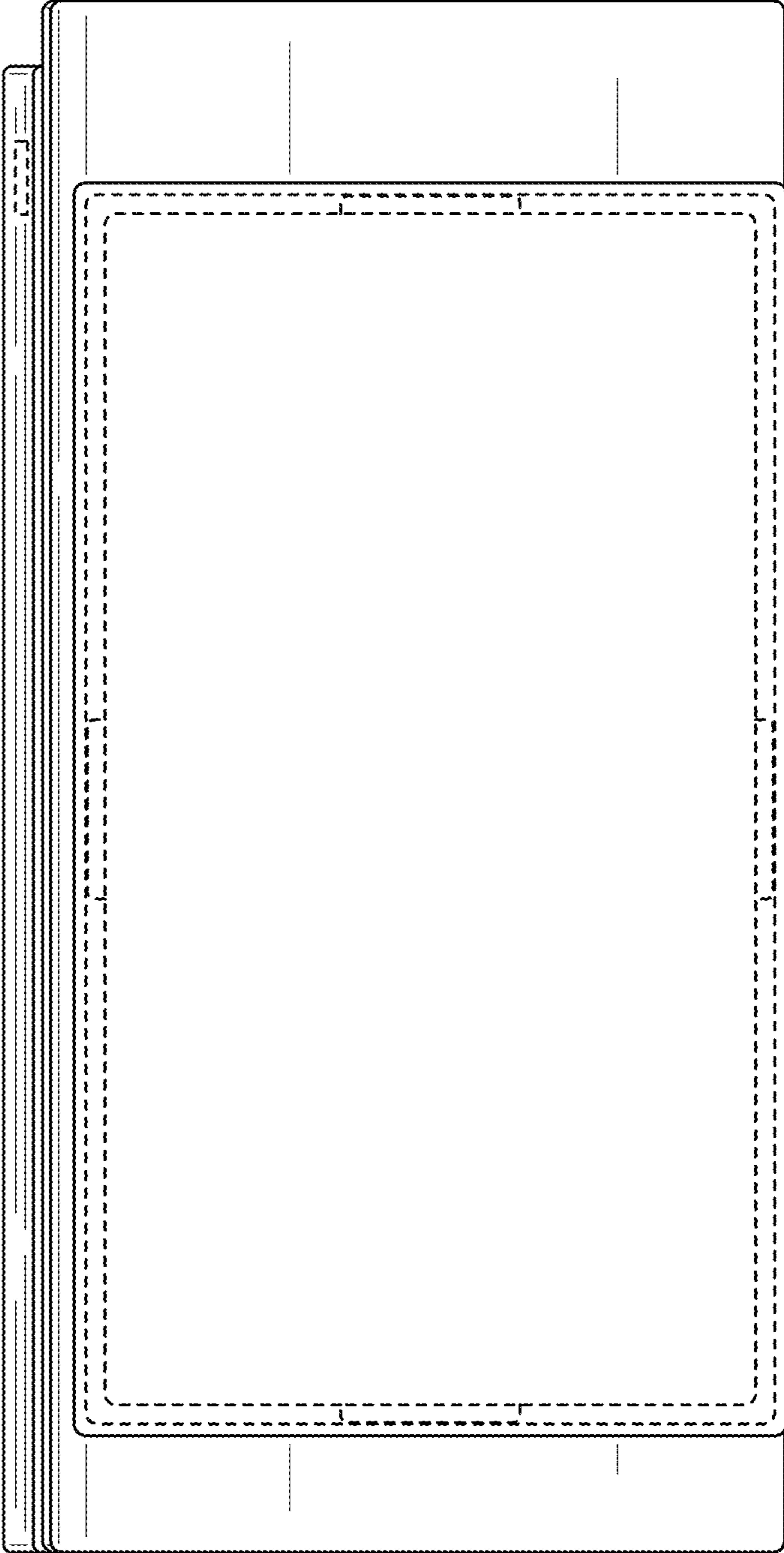


FIG. 7