



US00D831639S

(12) **United States Design Patent** (10) **Patent No.:** **US D831,639 S**
Terry et al. (45) **Date of Patent:** **** Oct. 23, 2018**

(54) **OPERATING/DISPLAY PANEL**
(71) Applicant: **OTIS ELEVATOR COMPANY**,
Farmington, CT (US)
(72) Inventors: **Harold Terry**, New Hartford, CT (US);
Robert Costabile, Hamden, CT (US);
Danny Secheon Lee, Seoul (KR); **Hak**
Cheol Kim, Seoul (KR); **Bruce F.**
Gallo, Farmington, CT (US); **Andrew**
Zielke, Plainville, CT (US); **Paul**
Stranieri, Farmington, CT (US)
(73) Assignee: **OTIS ELEVATOR COMPANY**,
Farmington, CT (US)

(**) Term: **15 Years**

(21) Appl. No.: **29/614,598**

(22) Filed: **Aug. 21, 2017**

(51) **LOC (11) Cl.** **14-02**

(52) **U.S. Cl.**
USPC **D14/307**

(58) **Field of Classification Search**
USPC D14/302-307, 900-902; D13/163;
D20/10; D21/332, 325, 369, 370;
D99/28; D6/397, 466; 194/206;
361/679.01, 679.02, 679.04, 679.21,
361/679.57, 725
CPC G06Q 20/18; G06Q 20/10; G06Q 20/123;
G06Q 20/20; G06Q 30/02; G06Q 30/06;
A47F 9/047
See application file for complete search history.

(56) **References Cited**

U.S. PATENT DOCUMENTS

D589,833 S * 4/2009 Kim D10/108
D693,803 S * 11/2013 Colley D14/307

D702,579 S * 4/2014 Lee D10/108
D705,108 S * 5/2014 Lee D10/108
D717,785 S * 11/2014 Winston D14/307
D761,783 S * 7/2016 Kulkarni D14/300
D763,247 S * 8/2016 Yopez D14/307
D777,722 S * 1/2017 Murphy D14/307
D781,843 S * 3/2017 Horn, II D14/307
D782,466 S * 3/2017 Yopez D14/307
D782,467 S * 3/2017 Bladwell D14/307
D816,077 S * 4/2018 Benic D14/307

* cited by examiner

Primary Examiner — Austin Murphy

(74) *Attorney, Agent, or Firm* — Cantor Colburn LLP

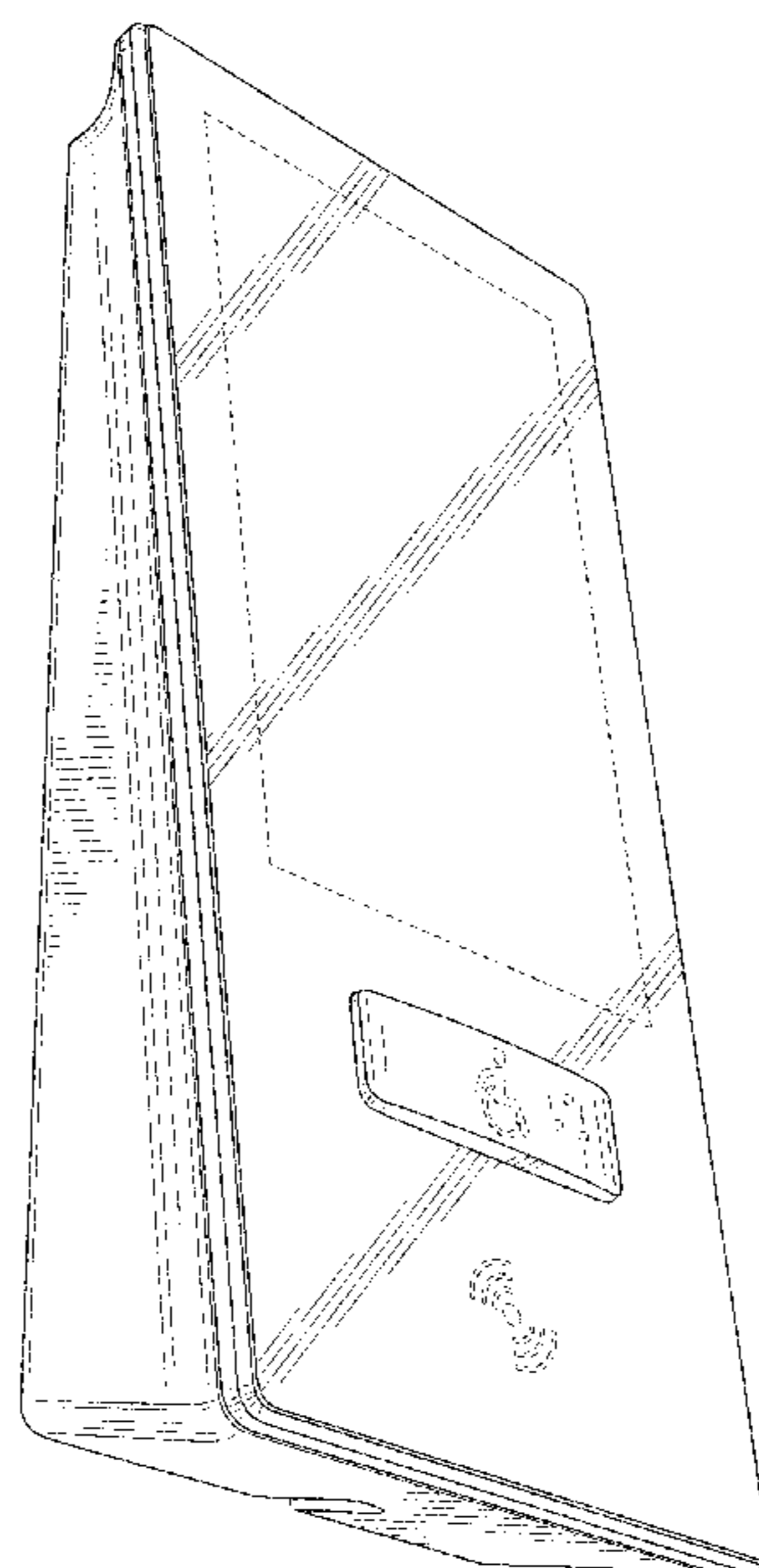
(57) **CLAIM**

We claim, the ornamental design for an operating/display panel, as shown and described.

DESCRIPTION

FIG. 1 is a perspective view of an operating/display panel, showing our new design;
FIG. 2 is a front elevation view thereof;
FIG. 3 is a back elevation view thereof;
FIG. 4 is a side elevation view thereof;
FIG. 5 is another side elevation view thereof;
FIG. 6 is a top plan view thereof;
FIG. 7 is a bottom plan view thereof; and,
FIG. 8 is another perspective thereof, as shown mounted to a wall in a user environment.
The broken-line disclosure in the views is generally understood to form no part of the claimed design.

1 Claim, 6 Drawing Sheets



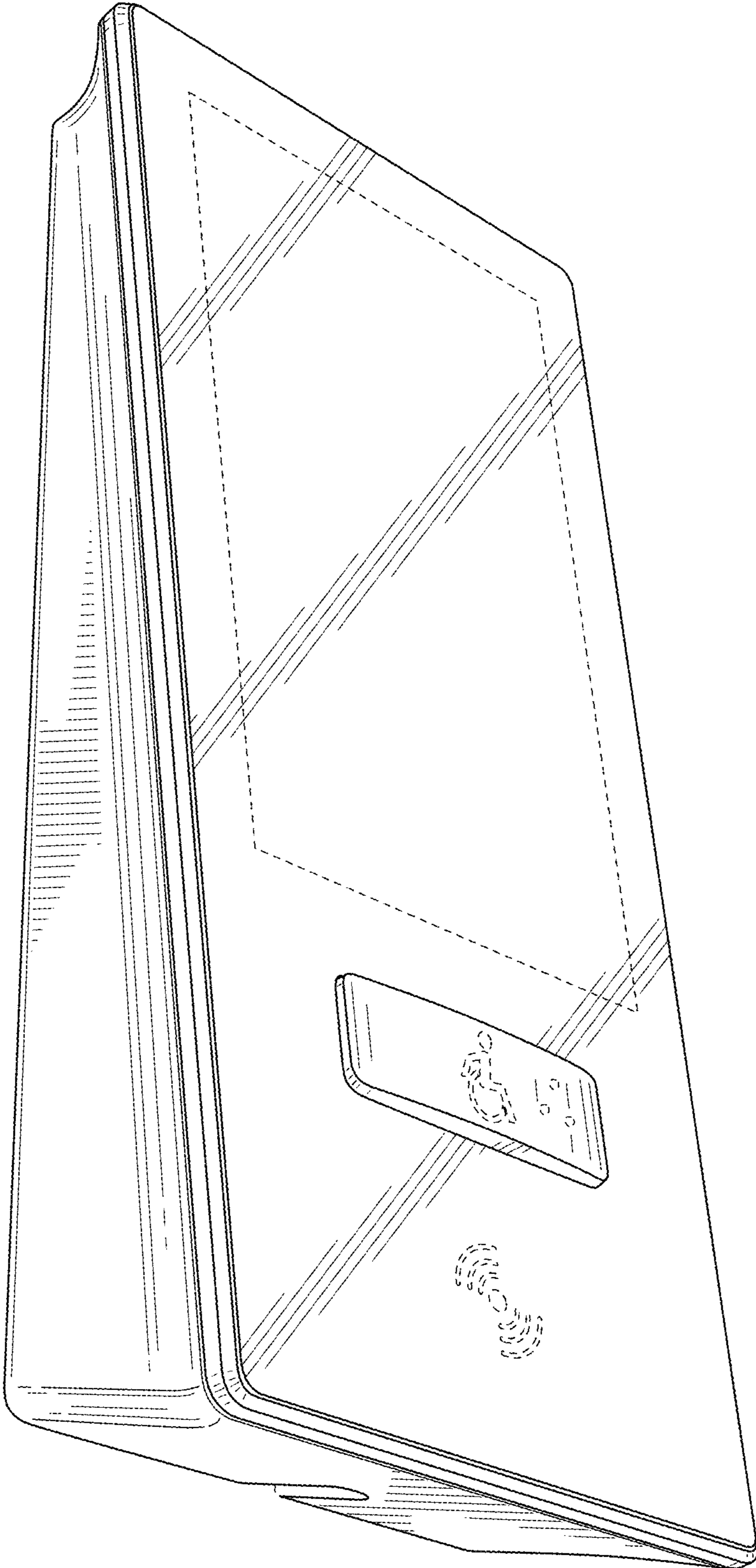


FIG. 1

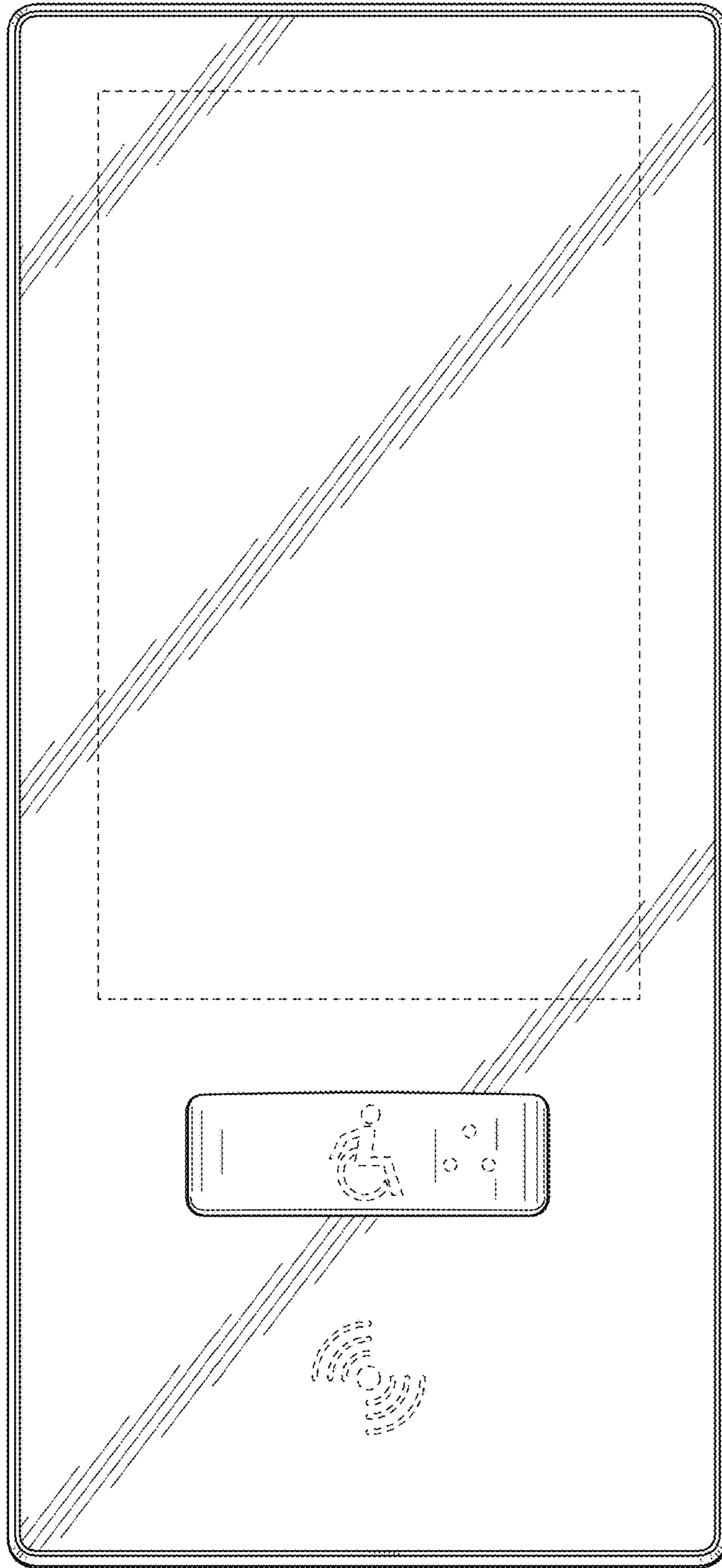


FIG. 2

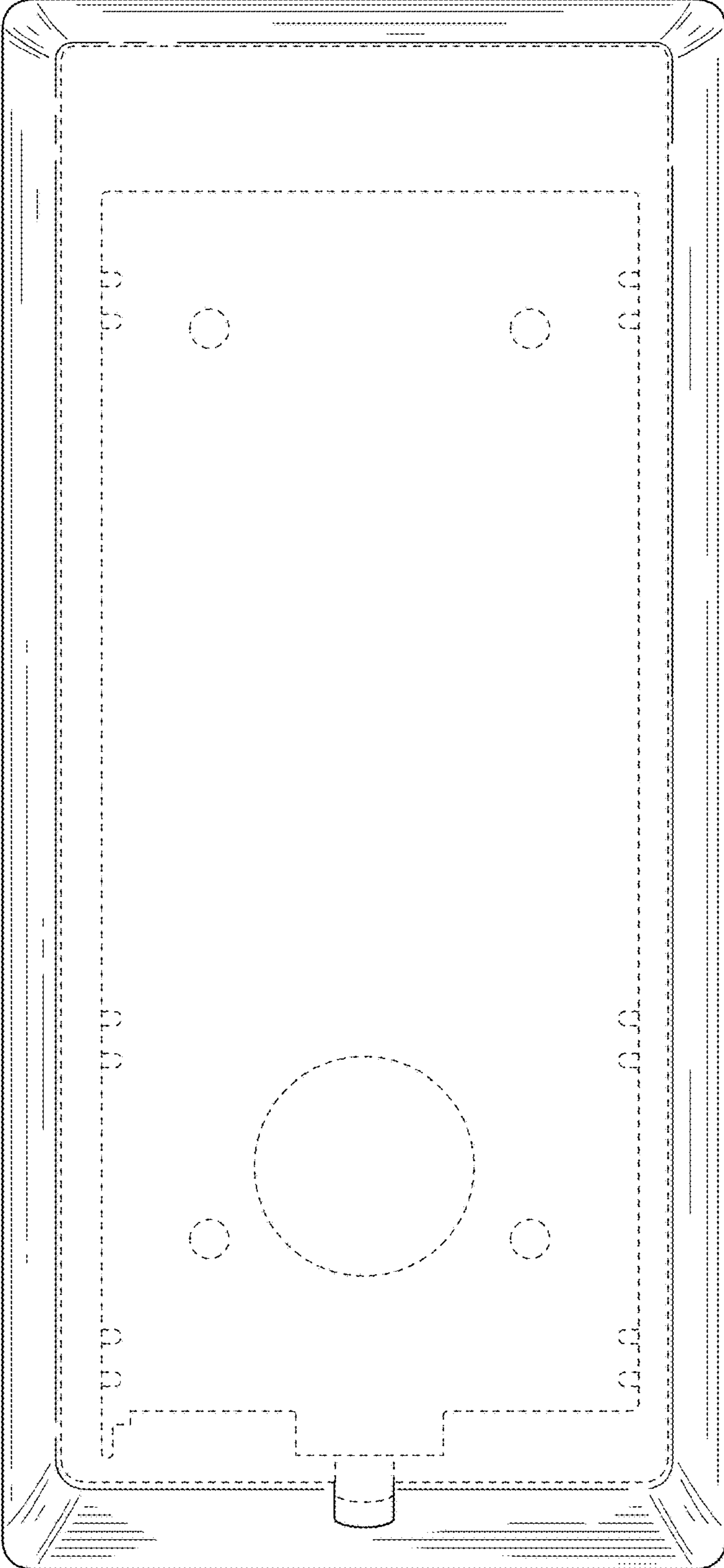


FIG. 3

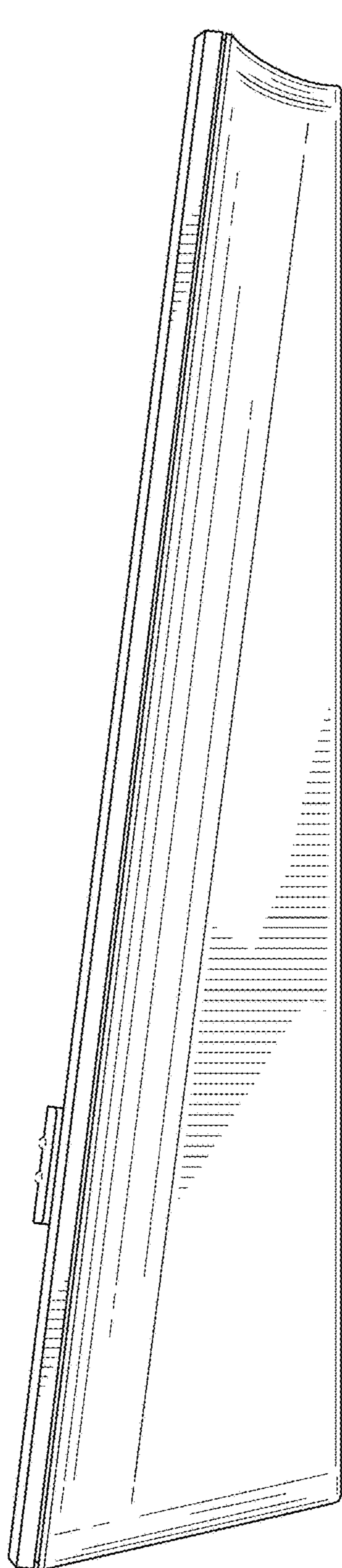


FIG. 4

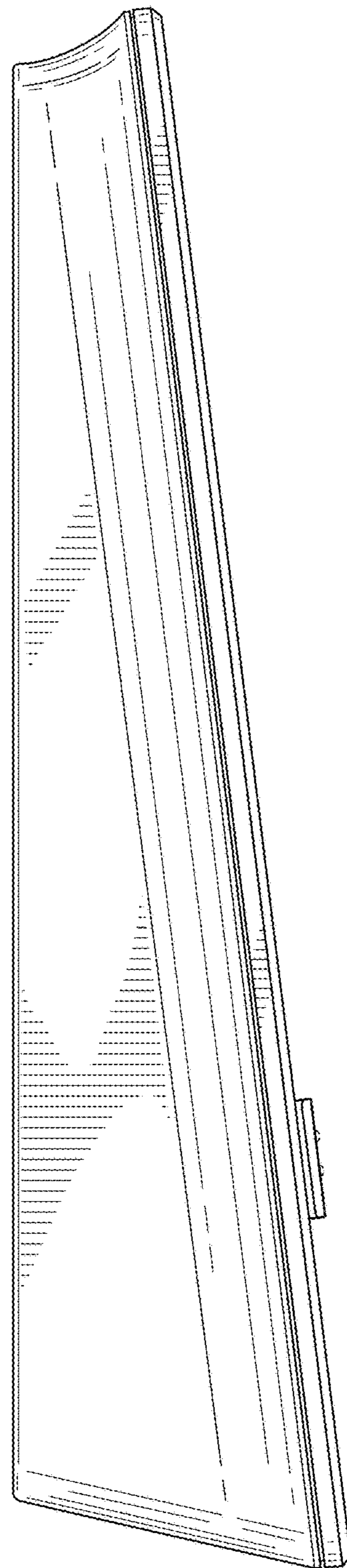


FIG. 5

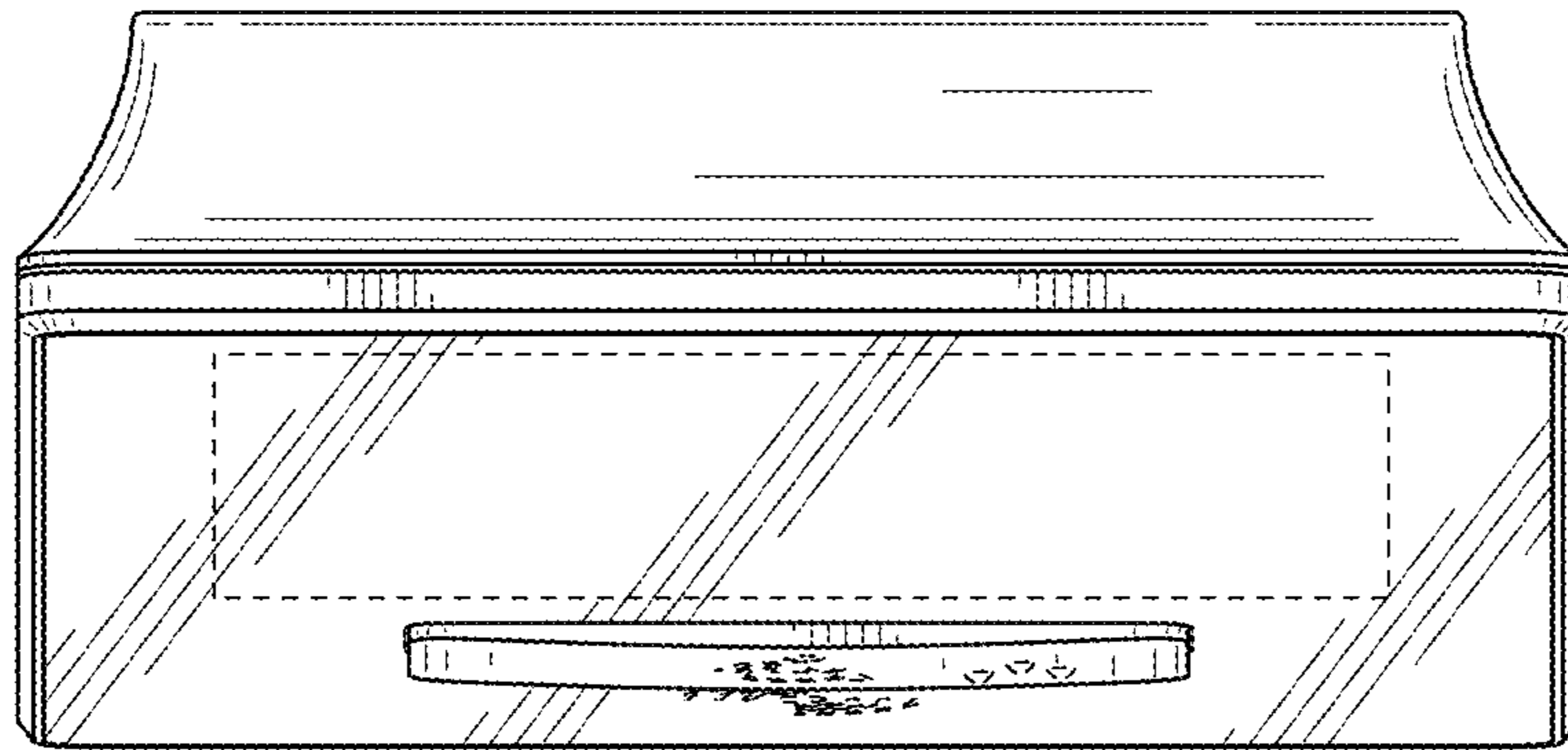


FIG. 6

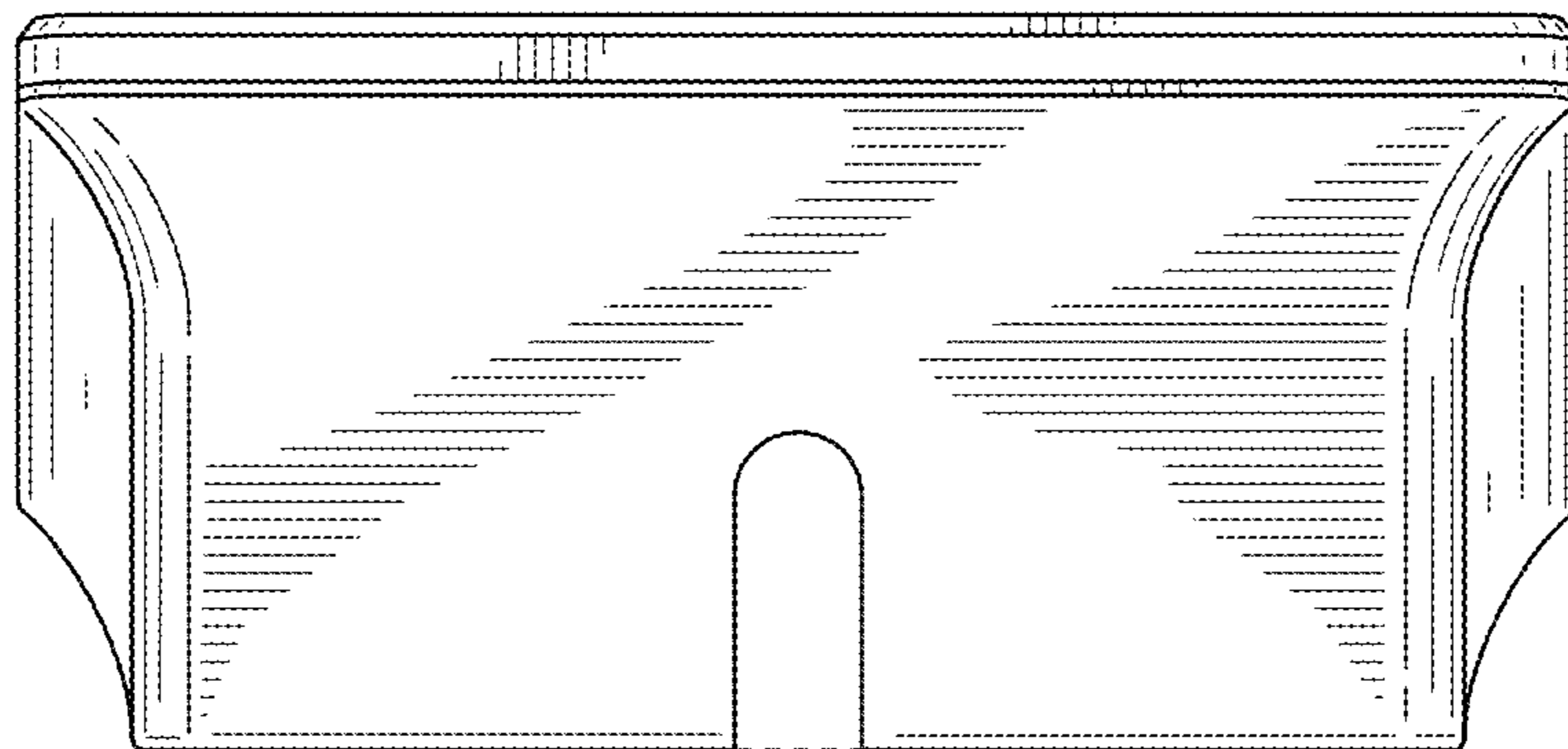


FIG. 7

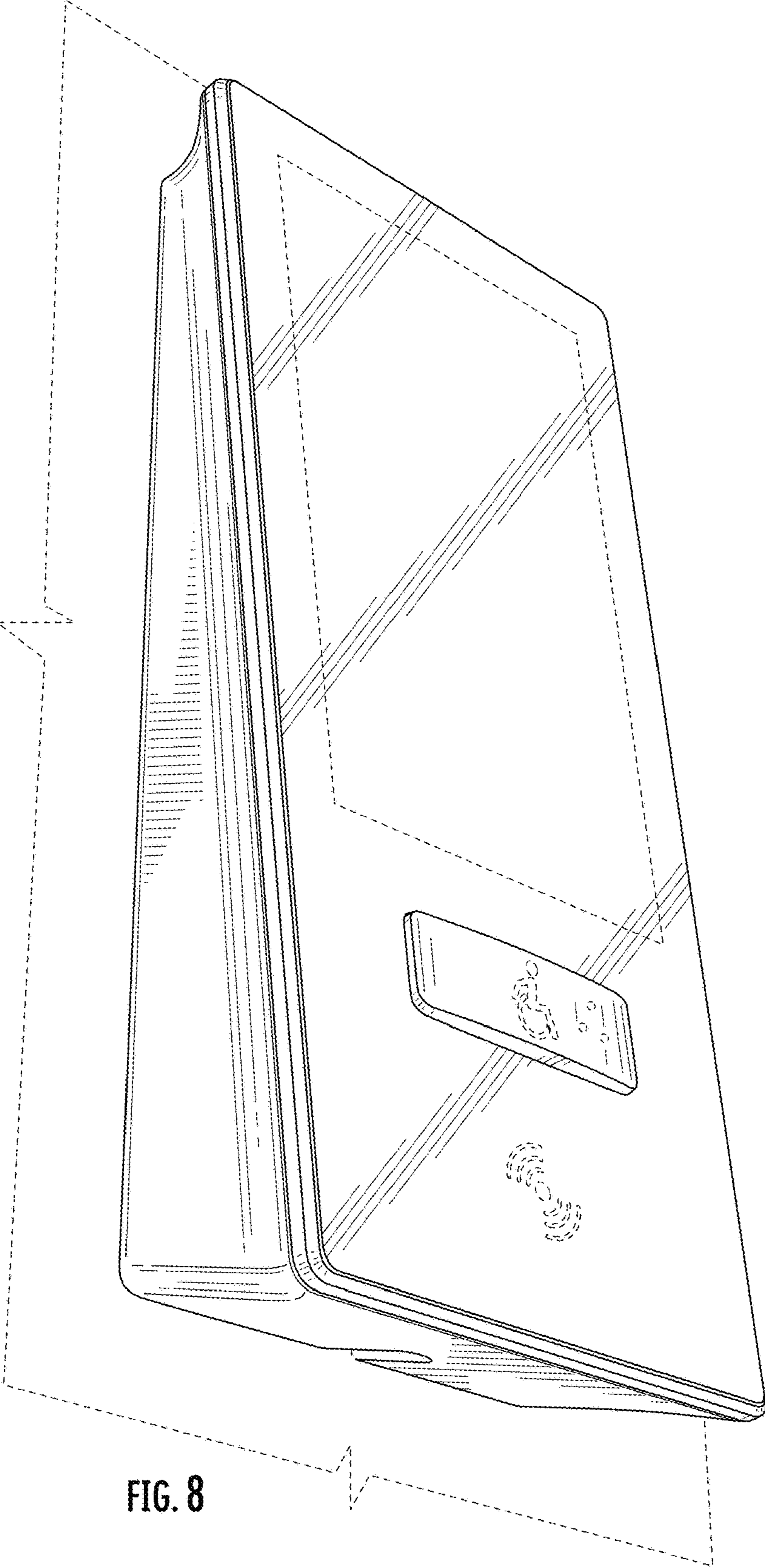


FIG. 8