



US00D831631S

(12) **United States Design Patent** (10) **Patent No.:** **US D831,631 S**
Li (45) **Date of Patent:** **** Oct. 23, 2018**

- (54) **SMARTPHONE CASE**
- (71) Applicant: **OTTER PRODUCTS, LLC**, Fort Collins, CO (US)
- (72) Inventor: **Shanshan Li**, Fort Collins, CO (US)
- (73) Assignee: **Otter Products, LLC**, Fort Collins, CO (US)
- (**) Term: **15 Years**
- (21) Appl. No.: **29/559,150**
- (22) Filed: **Mar. 24, 2016**
- (51) **LOC (11) Cl.** **14-03**
- (52) **U.S. Cl.**
USPC **D14/250**
- (58) **Field of Classification Search**
USPC D3/218, 232, 233, 239, 242, 245–251, D3/269, 273, 301, 303; D13/103, 107, D13/108, 119; D14/137, 138 R, 138 AA, D14/138 C, 138 G, 203.3–203.7, 217, D14/238.1, 247, 248, 250, 251–253, 440
CPC H04B 1/3888; H04M 1/0283; H04M 1/0202; A45C 1/06; A45C 2011/002; A45C 11/00; A45F 2005/028; A45F 2200/0525
See application file for complete search history.

- D485,531 S 1/2004 Liao et al.
- D508,773 S 8/2005 Singh
- D539,259 S 3/2007 Wang et al.
- D541,346 S 4/2007 Lau
- 7,301,759 B2 11/2007 Hsiung
- 7,337,565 B2 3/2008 Tsutsumi et al.
- D574,819 S 8/2008 Andre et al.
- D575,056 S 8/2008 Tan

(Continued)

FOREIGN PATENT DOCUMENTS

- EP 0025394520001 9/2014
- JP 1530317 S 8/2015
- KR 300733452 3/2014

OTHER PUBLICATIONS

Otterbox, OtterBox Certified Drop+ Protection, YouTube, dated Aug. 17, 2015, downloaded from https://www.youtube.com/watch?v=pj_zzwRIEQw Jan. 23, 2018, 1 page.

(Continued)

Primary Examiner — Susan E Krakower
Assistant Examiner — L. A. Grabenstetter

(57) **CLAIM**

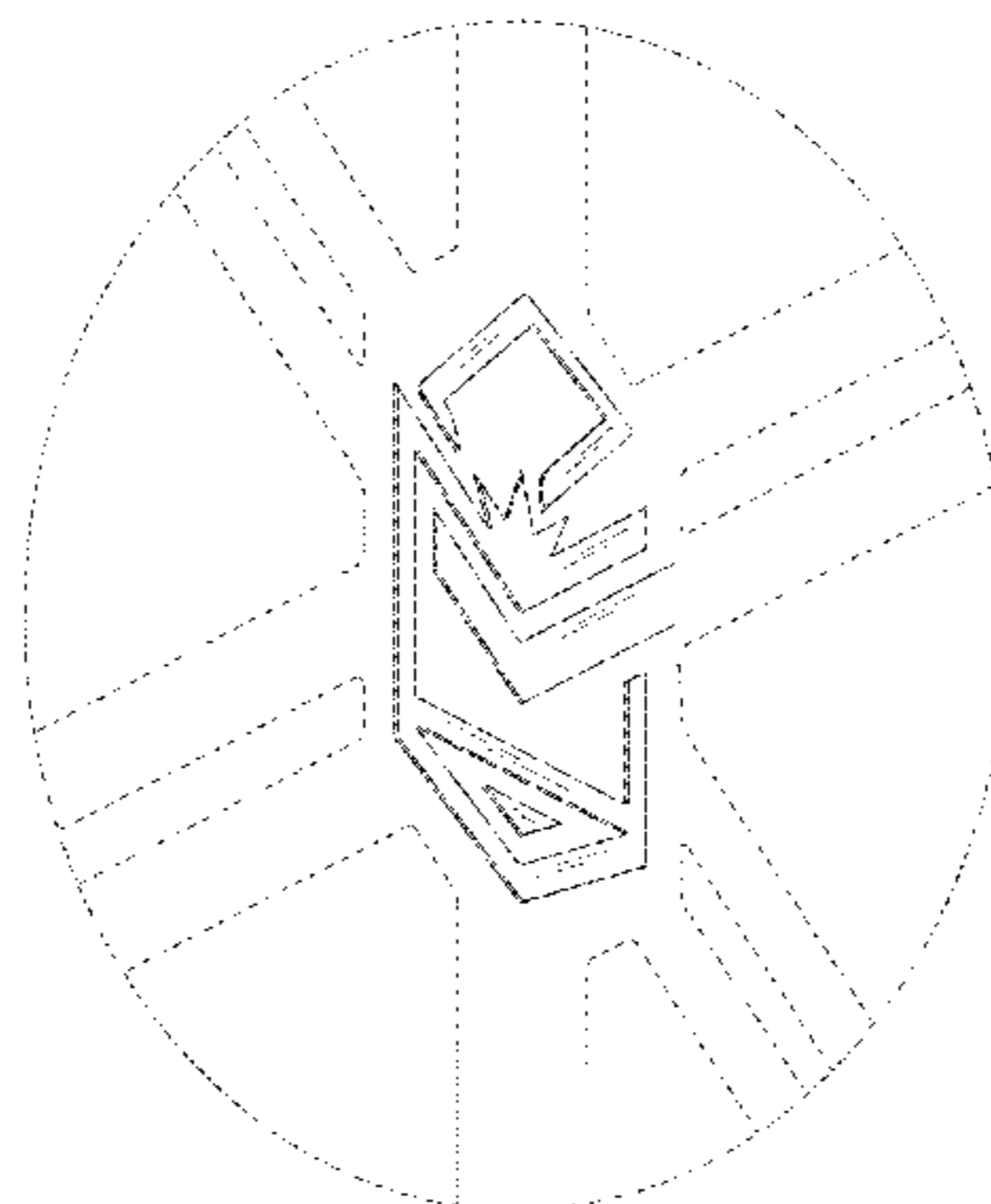
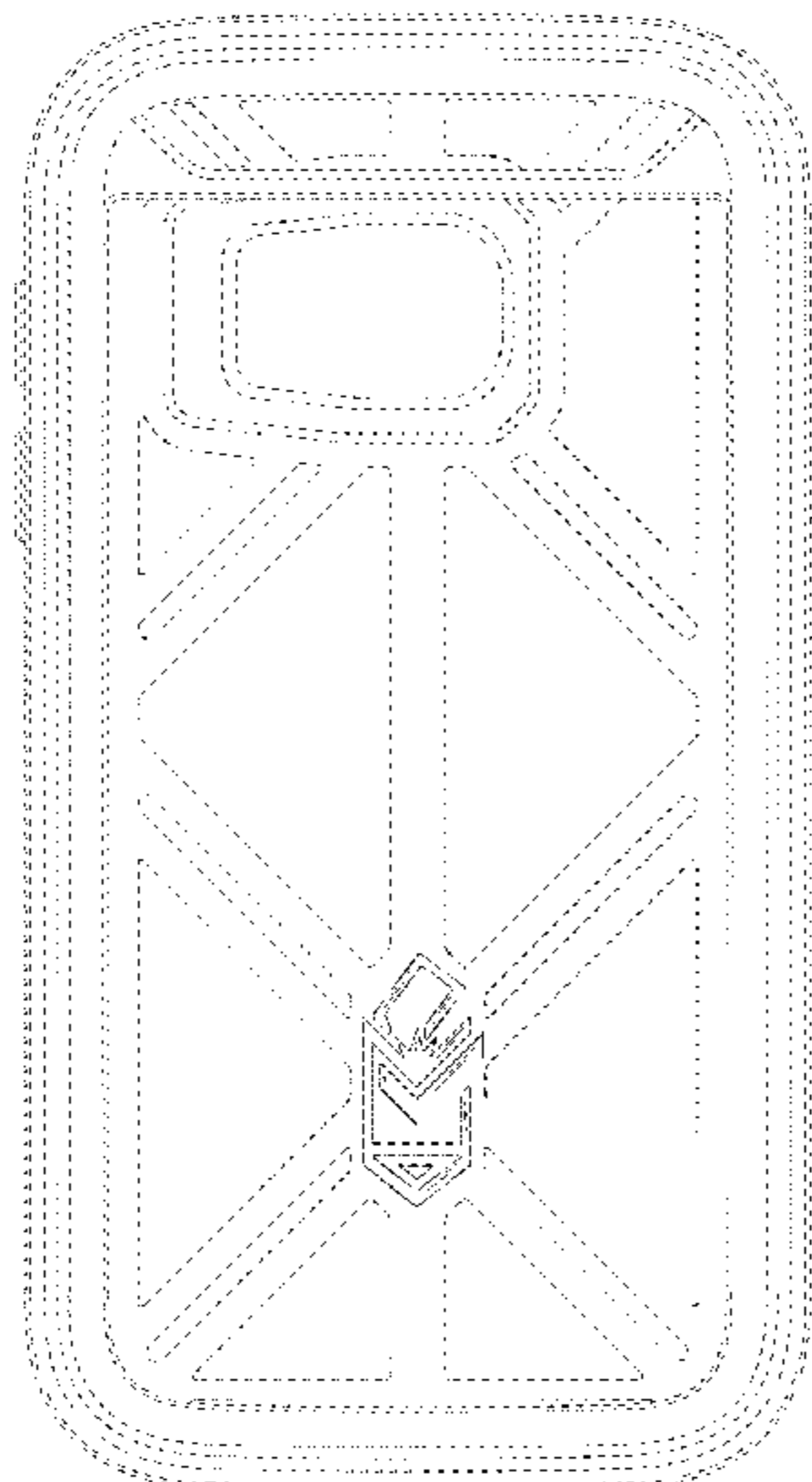
The ornamental design for a smartphone case, as shown and described.

DESCRIPTION

FIG. 1 is a front view of a smartphone case; FIG. 2 is a front isometric view thereof; and, FIG. 3 is a partial enlarged front isometric view, taken from the circle 3 in FIG. 2. The dot-dash broken line circles in FIGS. 2 and 3 are included for the purpose of illustrating the enlarged view and form no part of the claimed design. The dashed broken lines depict unclaimed subject matter. The broken lines and unshaded surfaces form no part of the claimed design.

1 Claim, 3 Drawing Sheets

- (56) **References Cited**
- U.S. PATENT DOCUMENTS
- D63,811 S 1/1924 Wojciechowski
- D168,398 S 12/1952 Gazan
- 5,154,964 A 10/1992 Iwai et al.
- D356,120 S 3/1995 Allen
- D364,191 S 11/1995 Allen
- 5,607,748 A 3/1997 Feltman
- D382,538 S 8/1997 Brunette
- D403,265 S 12/1998 Nagele et al.
- D425,858 S 5/2000 Oliver et al.
- D467,429 S 12/2002 Bone et al.



(56)

References Cited

U.S. PATENT DOCUMENTS

D582,405 S	12/2008	Andre et al.	8,443,971 B1	5/2013	Green et al.
D597,089 S	7/2009	Khan et al.	D683,700 S	6/2013	Ferrari et al.
D602,894 S	10/2009	Lepoultier et al.	D684,149 S	6/2013	Chang et al.
7,609,512 B2	10/2009	Richardson et al.	D684,357 S	6/2013	Pegg
D603,603 S	11/2009	Laine et al.	D684,358 S	6/2013	Pegg
7,612,997 B1	11/2009	Diebel et al.	D685,358 S	7/2013	Armstrong et al.
D606,532 S	12/2009	Jong et al.	D685,738 S	7/2013	Moore et al.
D606,533 S *	12/2009	de Jong D14/250	D685,785 S	7/2013	Seoc et al.
D606,986 S *	12/2009	de Jong D14/250	D686,607 S	7/2013	Hong
D609,231 S *	2/2010	de Jong D14/250	D687,027 S	7/2013	Melanson et al.
D609,463 S	2/2010	Bullen	D687,427 S	8/2013	Peterson
D610,157 S	2/2010	Ma	D687,438 S	8/2013	Lu
D615,536 S	5/2010	Richardson et al.	8,504,126 B1	8/2013	Maravilla et al.
D617,787 S	6/2010	Richardson et al.	D691,142 S	10/2013	Diebel
D618,230 S	6/2010	Brown et al.	D694,244 S	11/2013	Magness et al.
D619,361 S	7/2010	Andre et al.	D694,743 S	12/2013	Monaco et al.
D622,750 S *	8/2010	Funakoshi D16/219	D695,297 S	12/2013	Sun et al.
D623,180 S	9/2010	Diebel	D696,239 S	12/2013	Murchison et al.
D623,640 S	9/2010	Freeman	D696,253 S	12/2013	Akana et al.
D624,304 S	9/2010	Danze et al.	D696,669 S	12/2013	Akana et al.
D624,909 S	10/2010	Huskinson	D697,060 S	1/2014	Yang
D624,910 S	10/2010	Richardson et al.	D697,903 S	1/2014	Witter et al.
D626,538 S	11/2010	Brown et al.	D698,342 S	1/2014	Gronewoller et al.
D628,567 S	12/2010	Du et al.	D698,345 S	1/2014	Chang et al.
D629,399 S *	12/2010	Camarena D14/356	D698,774 S	2/2014	Wardy
D631,058 S	1/2011	Chin et al.	D699,715 S	2/2014	Fitzgerald et al.
D634,314 S *	3/2011	Fahrendorff D14/250	D700,583 S	3/2014	Bacchus
D638,005 S	5/2011	Richardson et al.	D702,673 S	4/2014	Murchison et al.
D641,348 S	7/2011	Kim et al.	D703,653 S	4/2014	Brubaker et al.
D643,433 S	8/2011	Hsieh et al.	D703,654 S	4/2014	Melanson et al.
D644,989 S	9/2011	Guccione et al.	D703,656 S	4/2014	Witter et al.
D646,265 S	10/2011	Fathollahi	D704,182 S	5/2014	Smith
8,028,794 B1	10/2011	Freeman	D704,684 S	5/2014	Yeh et al.
D647,892 S	11/2011	Ragde	D704,685 S	5/2014	Yeh et al.
D649,537 S	11/2011	Magness et al.	D704,687 S *	5/2014	Northrup D14/250
D651,204 S	12/2011	Wibby et al.	D705,534 S	5/2014	Manjerico
D652,031 S	1/2012	Fahrendorff et al.	D706,256 S	6/2014	Ward et al.
D652,829 S	1/2012	Kim et al.	D707,670 S	6/2014	Chang et al.
D654,043 S	2/2012	Pan et al.	D709,058 S	7/2014	Hemesath et al.
D654,853 S	2/2012	Bacon et al.	D709,869 S *	7/2014	Witter D14/250
D657,354 S	4/2012	Kim	8,774,881 B2	7/2014	Johnson
D658,188 S	4/2012	Diebel	8,777,003 B2	7/2014	Hong et al.
D660,857 S	5/2012	Emami	D710,346 S	8/2014	Smith et al.
8,186,514 B2	5/2012	Bowers	D711,312 S	8/2014	Tien
D663,304 S	7/2012	Akana et al.	D711,860 S	8/2014	Daniel
D667,783 S	9/2012	Zhang et al.	D711,861 S	8/2014	Mei
D668,245 S	10/2012	Bau	D712,159 S *	9/2014	Clerici D5/5
D669,458 S	10/2012	Wilson et al.	D712,389 S	9/2014	Namminga
8,286,789 B2	10/2012	Wilson et al.	D712,393 S	9/2014	Kim et al.
D671,493 S	11/2012	Hasbrook et al.	D712,890 S	9/2014	McCormac et al.
D671,745 S	12/2012	Wyner	D713,834 S	9/2014	Almstrom
D671,932 S	12/2012	Azoulay	D713,848 S	9/2014	Akana et al.
D672,781 S	12/2012	Lu	D714,550 S	10/2014	Yoo
D673,159 S	12/2012	McCarthy et al.	D714,791 S	10/2014	Liu
D673,551 S	1/2013	Chang et al.	D716,280 S	10/2014	Macrina et al.
D674,792 S	1/2013	Magness	D716,281 S *	10/2014	Melanson D14/250
D674,801 S	1/2013	Wharram	D716,282 S *	10/2014	Melanson D14/250
D675,211 S	1/2013	Rouser	D716,284 S	10/2014	Melanson et al.
D675,215 S	1/2013	Akana et al.	D717,773 S	11/2014	Fathollahi
D675,603 S	2/2013	Melanson et al.	D718,230 S	11/2014	To et al.
D675,604 S	2/2013	Limber et al.	D718,755 S	12/2014	To et al.
D676,449 S	2/2013	Probst et al.	D718,756 S *	12/2014	Barfoot D14/250
D676,844 S	2/2013	Weller et al.	D719,152 S	12/2014	Ahn et al.
D676,845 S	2/2013	Melanson et al.	D719,950 S	12/2014	Smith et al.
D678,260 S	3/2013	Bau	D720,342 S	12/2014	Starrett et al.
D679,279 S	4/2013	Yang et al.	D720,733 S	1/2015	Fathollahi
D679,715 S	4/2013	Akana et al.	D720,734 S	1/2015	Fathollahi
D680,522 S	4/2013	Melanson	D720,740 S	1/2015	Wicks et al.
D681,020 S	4/2013	Magness et al.	D721,068 S	1/2015	Melanson et al.
D681,022 S	4/2013	Chang et al.	D721,071 S	1/2015	Nelson et al.
D681,621 S	5/2013	Magness	D721,356 S	1/2015	Hasbrook et al.
D681,622 S	5/2013	Melanson et al.	D721,360 S	1/2015	Mazieres et al.
D681,641 S	5/2013	Nieuwenhuizen et al.	D721,694 S	1/2015	Lee et al.
D682,239 S	5/2013	Yeh et al.	D722,952 S	2/2015	Hu et al.
D683,398 S	5/2013	Bratter et al.	D723,018 S *	2/2015	White D14/250
			8,964,382 B2	2/2015	Ashcroft et al.
			D723,535 S	3/2015	Minn et al.
			D725,642 S *	3/2015	Robertson D14/250
			D725,643 S	3/2015	Lee et al.

(56)

References Cited

U.S. PATENT DOCUMENTS

D726,704 S 4/2015 Park et al.
 D726,731 S 4/2015 Kim
 D734,761 S 7/2015 Ballou et al.
 D735,184 S 7/2015 Lee et al.
 D737,522 S 8/2015 Lavigne et al.
 D740,798 S 10/2015 Poon et al.
 D741,844 S 10/2015 Rayner et al.
 D741,845 S 10/2015 Kim
 D742,220 S 11/2015 Eyerman et al.
 D742,868 S 11/2015 Odhwani et al.
 D742,869 S 11/2015 Odhwani et al.
 D743,389 S 11/2015 Akana et al.
 D744,472 S 12/2015 Lerenthal
 D744,995 S 12/2015 Lerenthal
 D745,780 S 12/2015 Feng
 D746,273 S 12/2015 Herbst
 D746,274 S 12/2015 Herbst
 D746,801 S 1/2016 Pan
 D746,805 S 1/2016 Kim
 D747,303 S 1/2016 Su et al.
 D748,083 S 1/2016 Peterson
 D749,066 S 2/2016 Park et al.
 D749,553 S 2/2016 Park et al.
 D751,808 S 3/2016 Agbeyo
 9,295,174 B2 3/2016 Witter et al.
 D753,123 S 4/2016 Probst et al.
 D756,343 S 5/2016 Wall et al.
 D756,977 S 5/2016 Schriefer et al.
 D763,264 S 8/2016 Smith et al.
 D763,841 S 8/2016 Kim
 D765,632 S 9/2016 Northrup et al.
 D765,637 S 9/2016 Lay et al.
 D765,638 S 9/2016 Gaylord et al.
 D765,642 S 9/2016 Bulkley
 D765,643 S 9/2016 Witter et al.
 D768,121 S 10/2016 Ormsbee et al.
 D771,611 S 11/2016 Chang et al.

D772,881 S 11/2016 Chang et al.
 D773,445 S 12/2016 Witter et al.
 D774,498 S 12/2016 Tao et al.
 D777,153 S * 1/2017 Lee D14/250
 D780,742 S 3/2017 Guerdrum et al.
 D781,836 S 3/2017 Kim et al.
 D787,492 S 5/2017 Kim
 D789,345 S 6/2017 Kim
 D789,346 S 6/2017 Akana et al.
 2009/0107858 A1 4/2009 Huang
 2011/0095033 A1 4/2011 Hung
 2011/0259664 A1 10/2011 Freeman
 2012/0043235 A1 2/2012 Klement
 2012/0244920 A1 9/2012 Lee
 2012/0303520 A1 11/2012 Huang
 2013/0020216 A1 1/2013 Chiou
 2013/0048520 A1 2/2013 Garrett et al.
 2013/0098788 A1 4/2013 McCarville et al.
 2013/0118934 A1 5/2013 Green et al.
 2013/0157730 A1 6/2013 McCormac et al.
 2013/0233762 A1 9/2013 Balaji et al.
 2013/0257240 A1 10/2013 Hong
 2014/0049142 A1 2/2014 Magness
 2014/0078671 A1 3/2014 Hong
 2014/0216976 A1 8/2014 Conarro
 2014/0357330 A1 12/2014 Lin
 2015/0189963 A1 7/2015 Lai et al.
 2015/0195938 A1 7/2015 Witter et al.
 2015/0270734 A1 9/2015 Davison et al.

OTHER PUBLICATIONS

Otterbox, OtterBox Certified Drop+ Protection: OtterBox Unveils What Makes It the No. 1-Most Trusted Case Brand, PRNewswire dated Aug. 18, 2015, downloaded from http://media.otterbox.com/2015-08-18-OtterBox-Certified-Drop-Protection-OtterBox-Unveils-What-Makes-It-The-No-1-Most-Trusted-Case-Brand#assets_20295_122822-117:19530 Jan. 23, 2018, 4 pages.

* cited by examiner

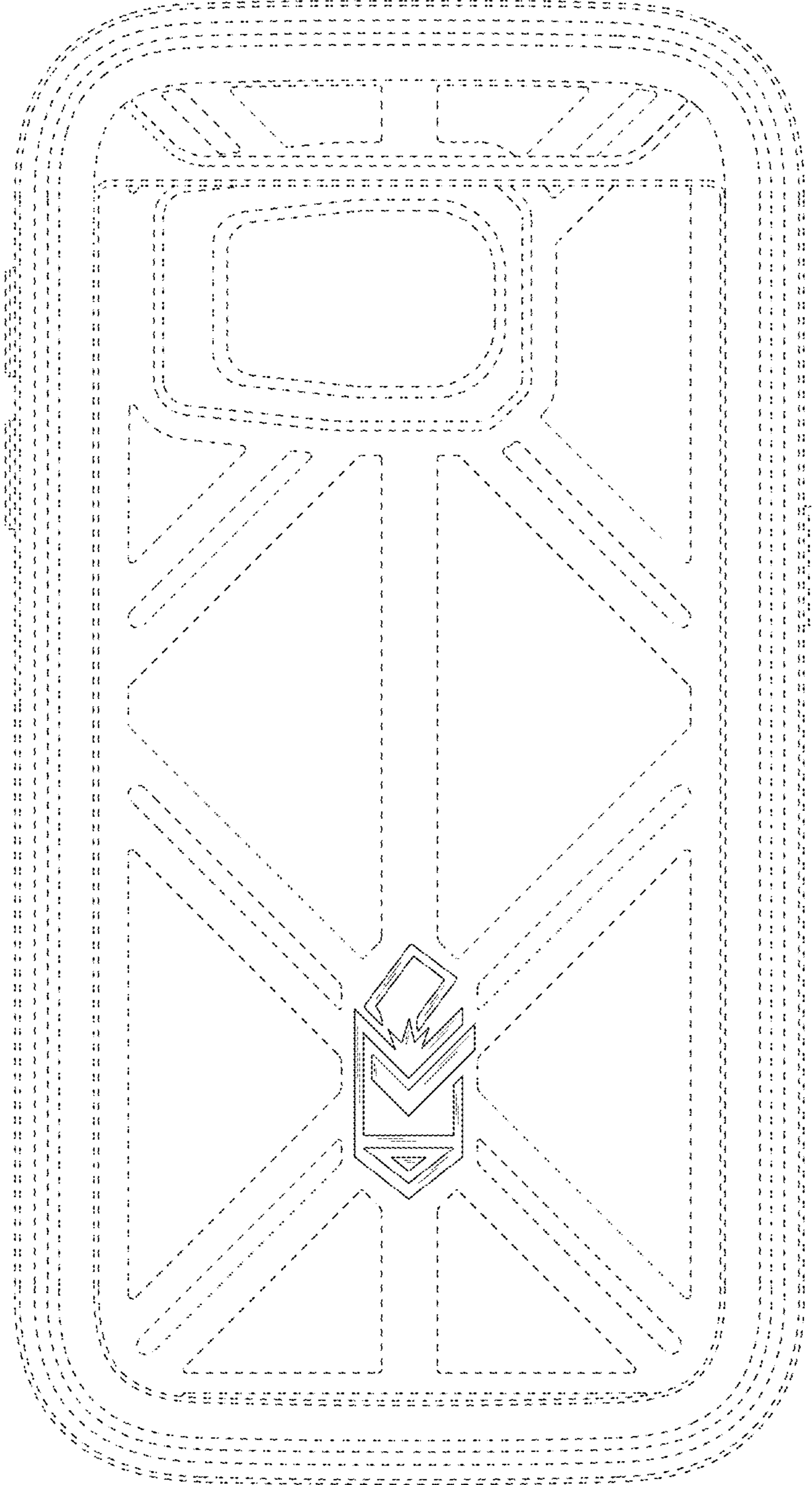


FIG. 1

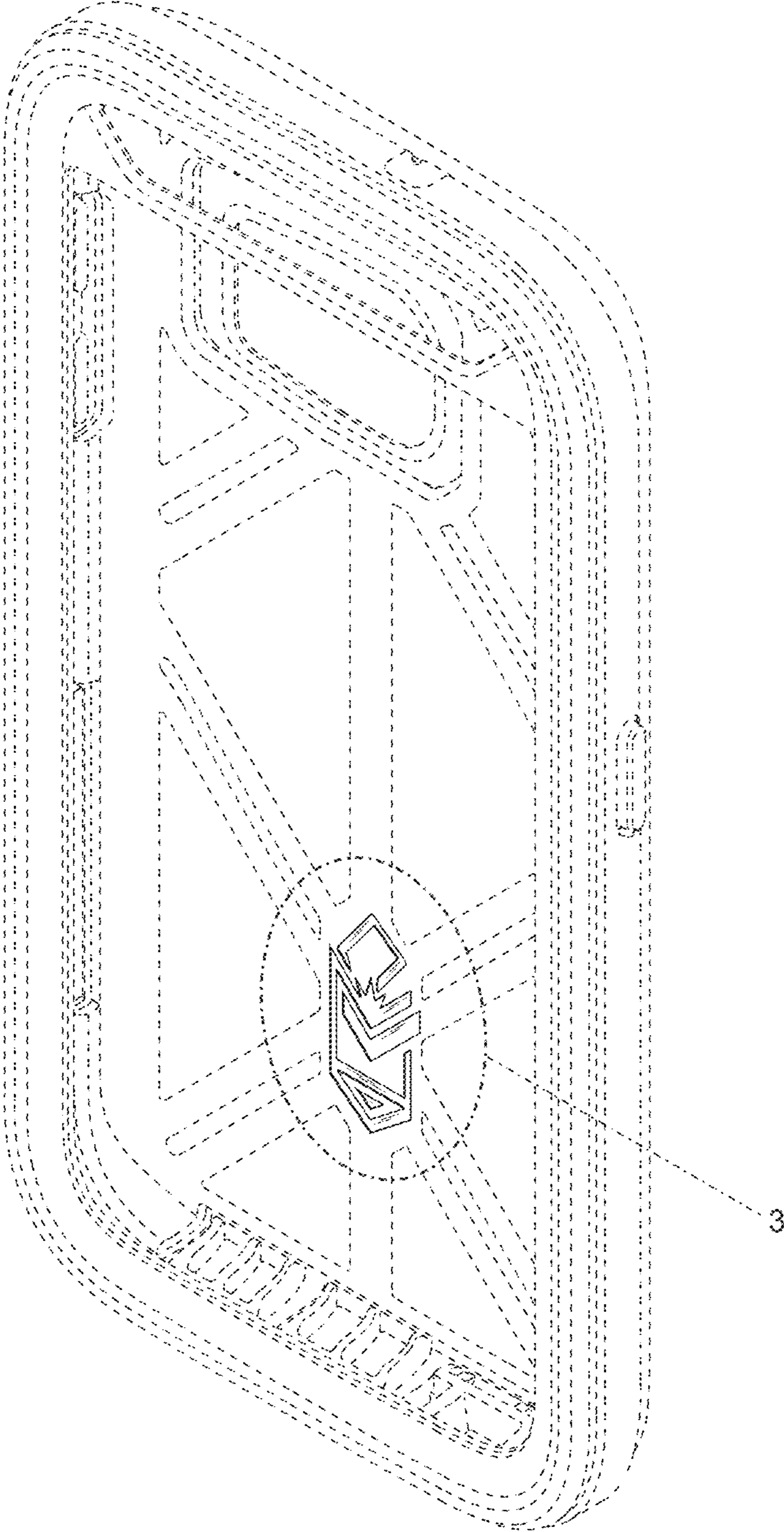


FIG. 2

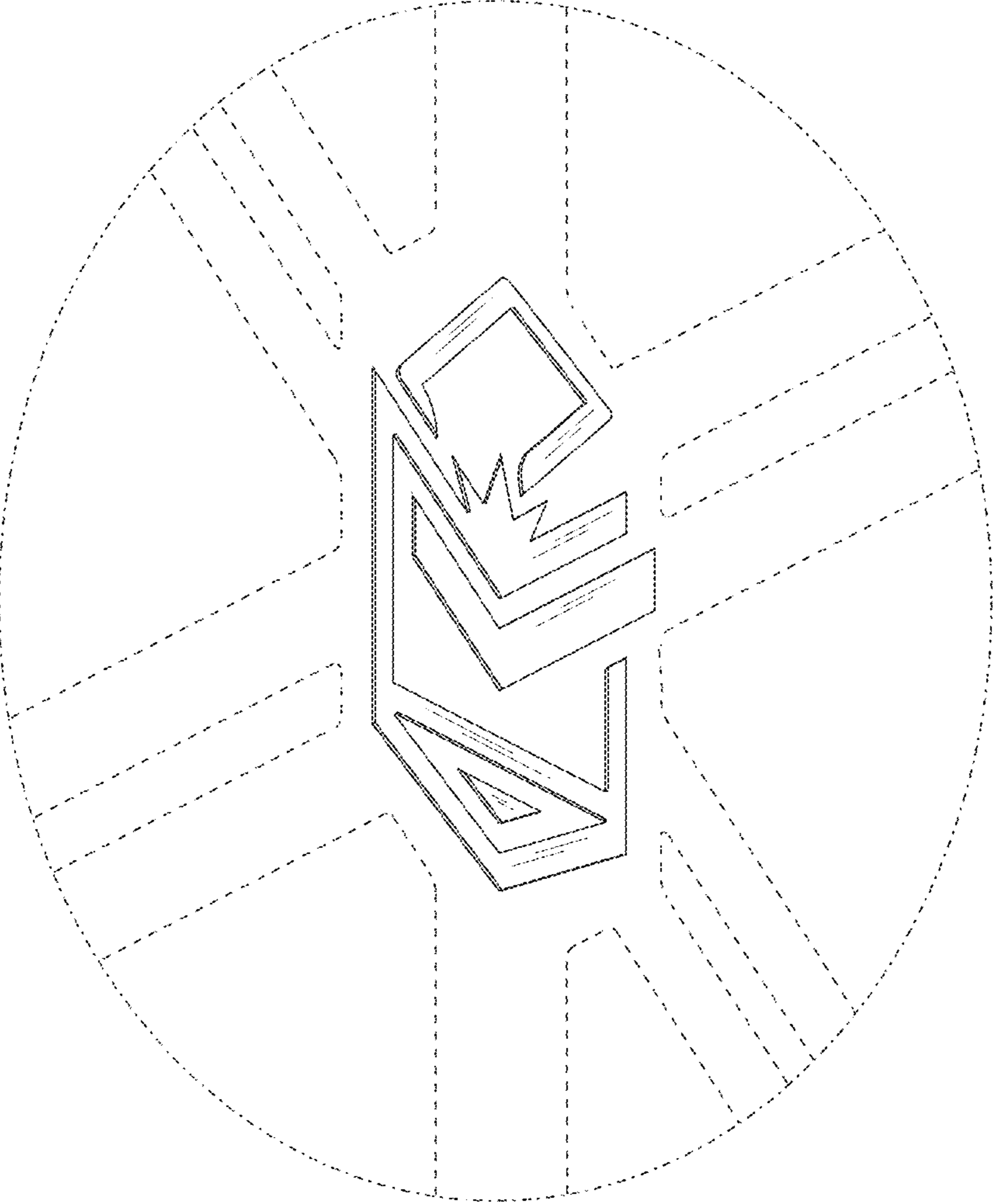


FIG. 3