



US00D831623S

(12) **United States Design Patent** (10) **Patent No.:** **US D831,623 S**  
**Sommerfield et al.** (45) **Date of Patent:** **\*\* Oct. 23, 2018**

(54) **DISPLAY SUPPORT**

- (71) Applicant: **Innovative Office Products, LLC**, Easton, PA (US)
- (72) Inventors: **Matthew A. Sommerfield**, Allentown, PA (US); **Michael P. Smith**, Allentown, PA (US)
- (73) Assignee: **Innovative Office Products, LLC**, Easton, PA (US)
- (\*\*) Term: **15 Years**

- (21) Appl. No.: **29/601,992**
- (22) Filed: **Apr. 27, 2017**
- (51) **LOC (11) Cl.** ..... **14-03**
- (52) **U.S. Cl.**  
USPC ..... **D14/238**
- (58) **Field of Classification Search**  
USPC ..... D08/353, 356, 363, 366, 371, 373, 380, D08/381; D13/154; D14/140.6, 238, D14/452; D24/127, 128, 234; D25/119, D25/120, 121  
CPC ..... A47B 87/00; A47B 96/02; A47B 96/06; A47B 57/06; A47B 87/005; A47B 57/34; A47B 96/021; A47B 96/061; A47B 21/02; A47B 2097/005; A47B 2097/006; B63B 22/00; F16B 37/02; F21V 21/02; F21S 8/00; G10K 1/26; G10K 1/28; G10K 9/22; H02G 1/00; G06F 1/1607; G06F 3/1446

See application file for complete search history.

(56) **References Cited**

U.S. PATENT DOCUMENTS

D203,582 S	*	2/1966	Hinrichs et al.	.....	D25/121
D370,423 S	*	6/1996	Nagai	.....	D10/94
D414,880 S	*	10/1999	Giese	.....	D25/122
D582,571 S	*	12/2008	Bergmann	.....	D25/124

(Continued)

OTHER PUBLICATIONS

Stand Steady Winston-E Electric Dual Monitor Mount Sit-Stand Desk, posted Nov. 9, 2016, [retrieved May 17, 2018]. Retrieved from Internet, <URL: <https://www.amazon.com/Stand-Steady-Innovative-WNSTE-2-270-Workstation/dp/B01N02XY8Q/>>.\*

(Continued)

*Primary Examiner* — Barbara Fox  
*Assistant Examiner* — Kristin E Reed

(74) *Attorney, Agent, or Firm* — Design IP

(57) **CLAIM**

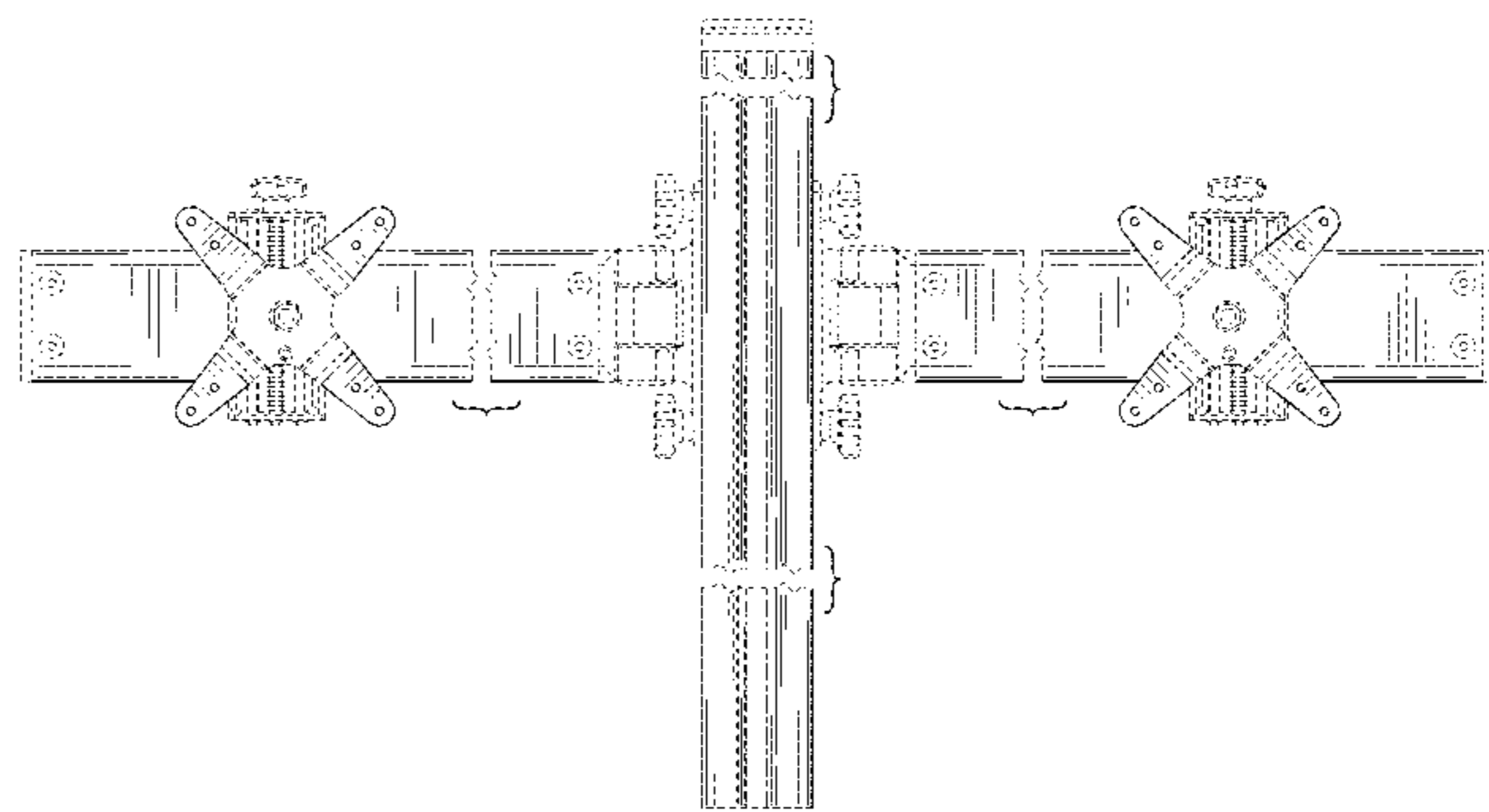
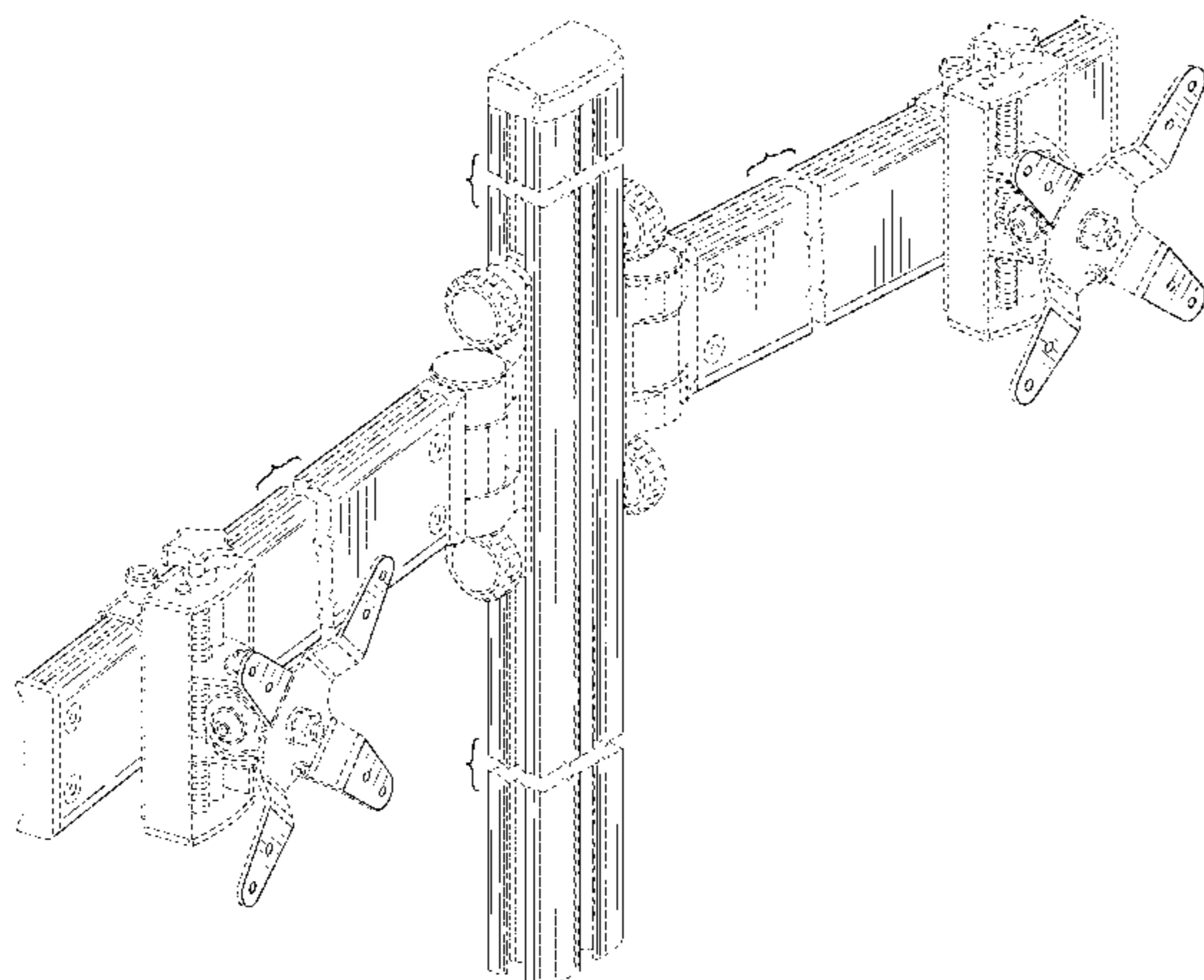
The ornamental design for a display support, as shown and described.

**DESCRIPTION**

FIG. 1 is a front perspective view of a display support showing our new design;  
 FIG. 2 is a front elevation view thereof;  
 FIG. 3 is a left side elevation view thereof;  
 FIG. 4 is a top plan view thereof; and,  
 FIG. 5 is a bottom plan view thereof.

The right side view of the design is a mirror image of the left side view of FIG. 3. The rear view is omitted and forms no part of the claimed design. The dashed-dotted broken lines shown in the figures depict the bounds of the claim. The dashed broken lines depict portions of the display support. The broken lines form no part of the claimed design. The pairs of jagged break lines joined by braces which wrap around the vertical beam and the horizontal beams of the display support apparatus indicate that the appearance of any portion of the beams between the break lines forms no part of the claimed design. In the left side view of FIG. 3, the pair of jagged break lines and accompanying brace that is located on the visible horizontal beam in the remaining figures have been omitted from view for the purpose of not obscuring portions of the claim.

**1 Claim, 4 Drawing Sheets**



(56)

**References Cited**

## U.S. PATENT DOCUMENTS

D649,552 S \* 11/2011 Huang ..... F16M 11/08  
D14/452  
D662,398 S \* 6/2012 Jahnke ..... D8/355  
D699,228 S \* 2/2014 Ferguson ..... D14/230  
8,814,398 B2 \* 8/2014 Kang ..... F21S 8/043  
362/373  
D713,038 S \* 9/2014 Sul ..... D24/158  
9,380,866 B1 \* 7/2016 Davis ..... A47B 9/20  
D792,611 S \* 7/2017 Shargani ..... D25/119  
D805,523 S \* 12/2017 Bowman ..... D14/452  
2016/0281915 A1 \* 9/2016 Bowman ..... F16M 11/045

## OTHER PUBLICATIONS

Winston-E Dual Installation Instructions, posted 2016, [retrieved May 17, 2018]. Retrieved from Internet, <URL: [https://innovativeworkspaces.com/site/assets/files/27774/winston-e\\_workstation\\_dual\\_instructions.pdf](https://innovativeworkspaces.com/site/assets/files/27774/winston-e_workstation_dual_instructions.pdf) >.\*

Mount-It! Dual Monitor Stand, Computer Monitor Mount, Dual Monitor Desk Mount Arm LCD, Vesa 75×75 and 100×100, 22 Lb Load Capacity, Black (MI-772), posted May 23, 2011, [retrieved May 17, 2018]. Retrieved from Internet, <URL: <https://www.amazon.com/Mount-Monitor-Computer-Capacity-MI-772/dp/B00FQSAWDQ> >.\*

Support Profile (px4080), Oval-profile support, posted unknown, [retrieved May 17, 2018]. Retrieved from Internet, <URL: <http://www.a-exhibition.com/en/artikel/2547/support-profile> >.\*

\* cited by examiner

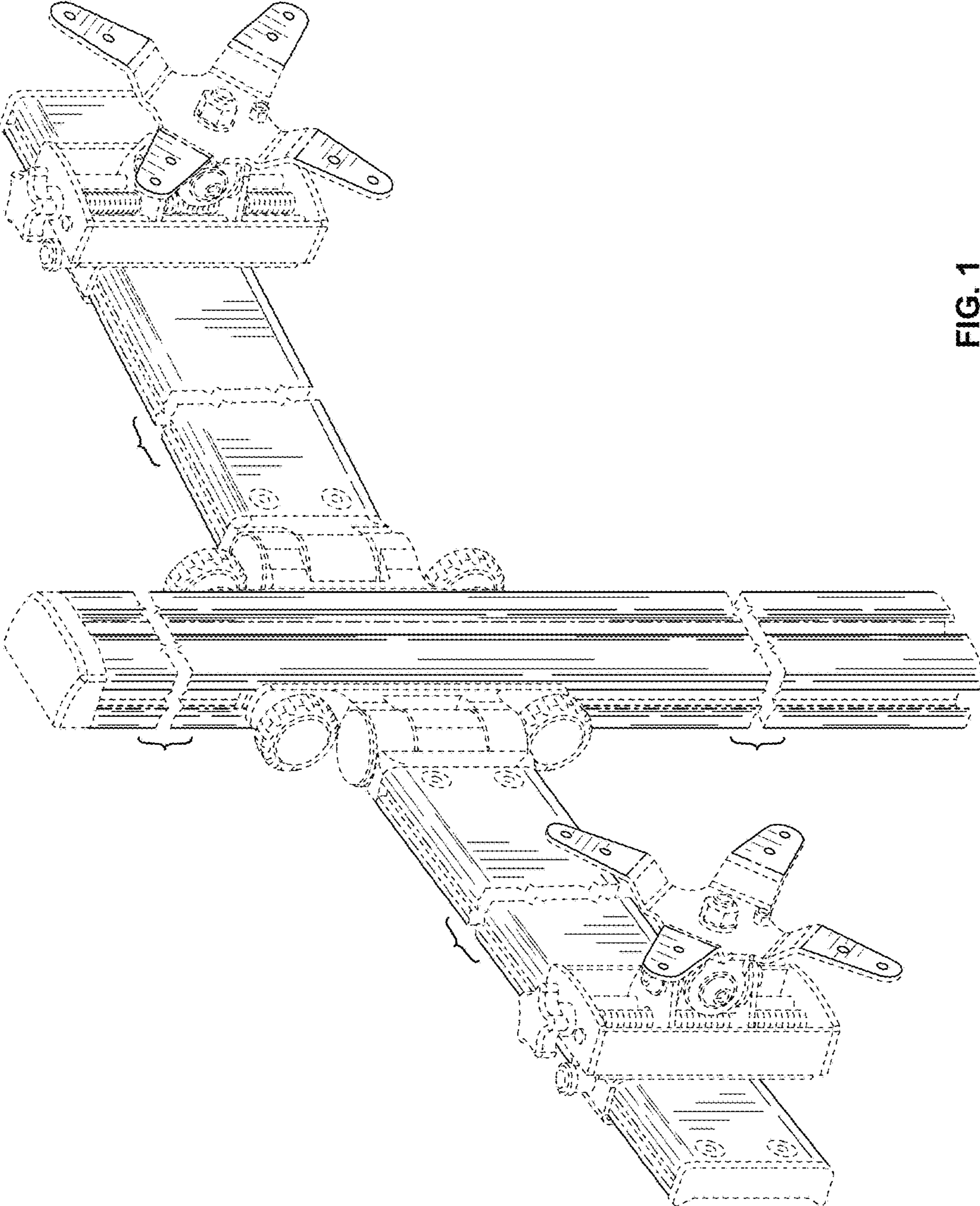


FIG. 1

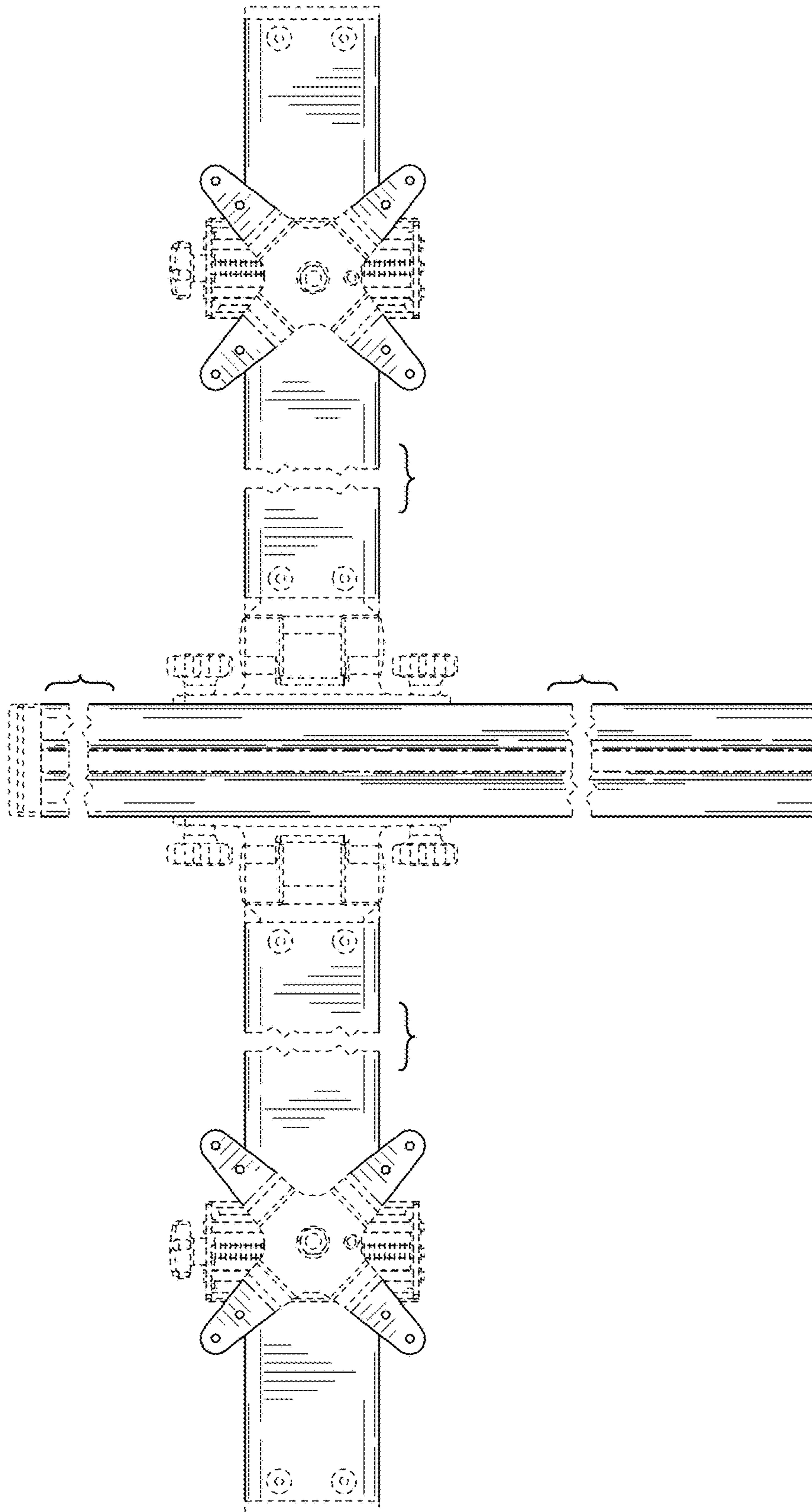


FIG. 2

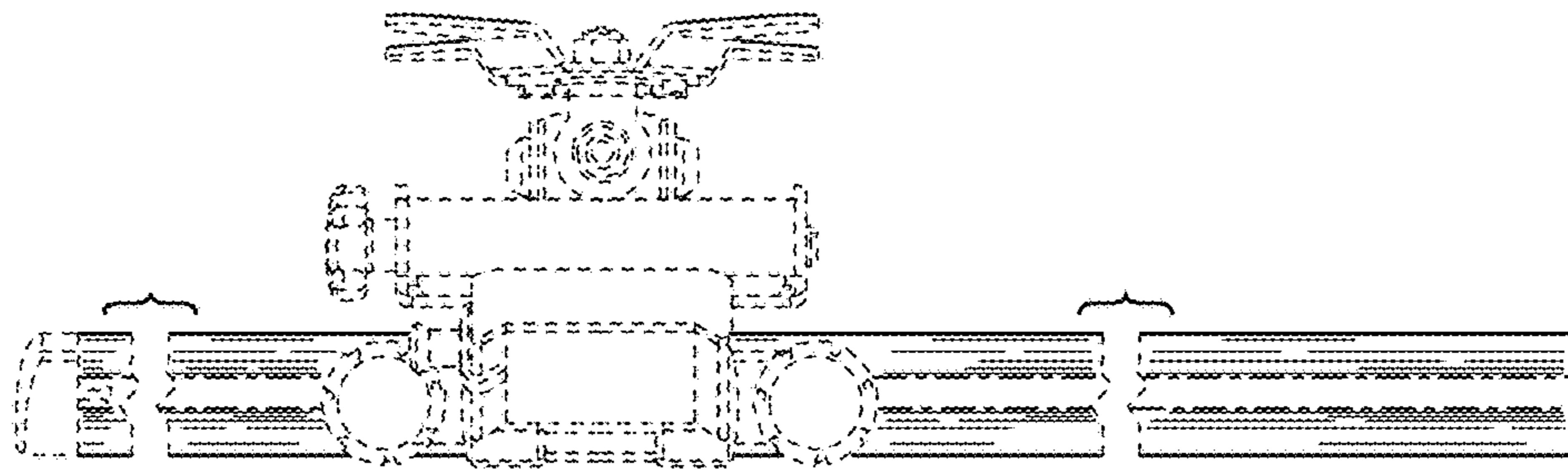


FIG. 3

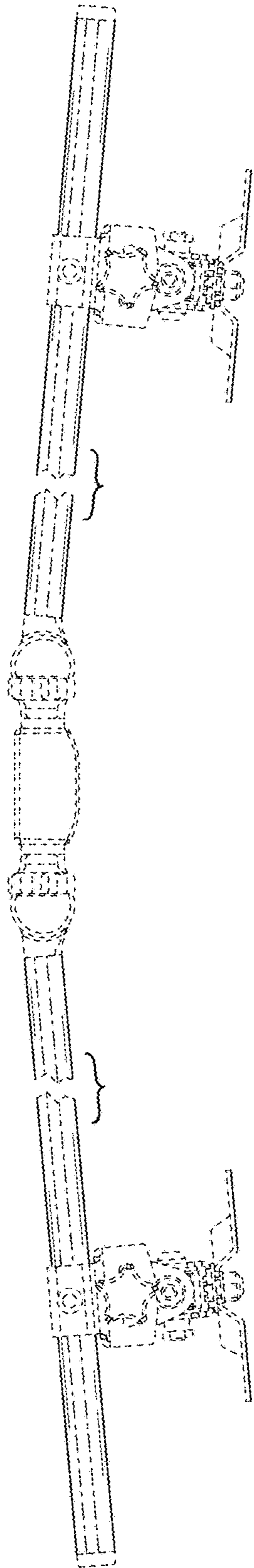


FIG. 4

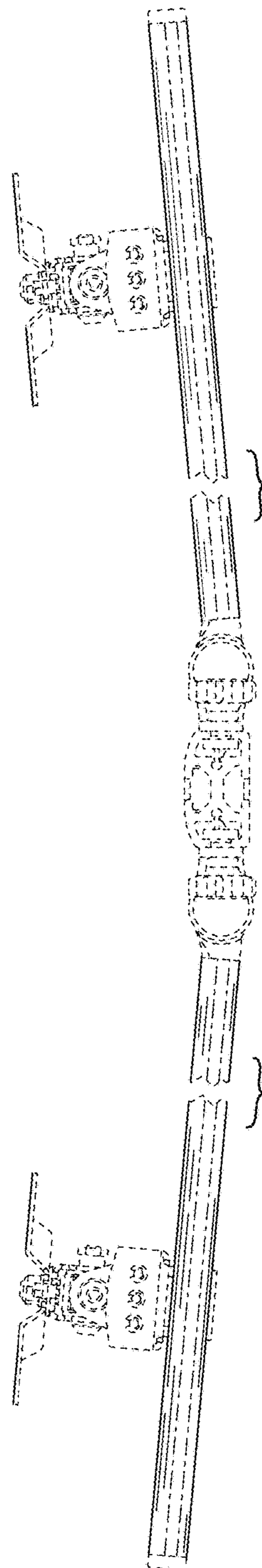


FIG. 5