

US00D831621S

(12) **United States Design Patent** (10) **Patent No.:** **US D831,621 S**
Ito et al. (45) **Date of Patent:** **** Oct. 23, 2018**

(54) **MICROPHONE CONTROLLER**

(71) Applicant: **YAMAHA CORPORATION**,
Hamamatsu-shi (JP)
(72) Inventors: **Masafumi Ito**, Hamamatsu (JP);
Takashi Honda, Nagakute (JP)
(73) Assignee: **YAMAHA CORPORATION**,
Hamamatsu-shi, Shizuoka (JP)

(**) Term: **15 Years**

(21) Appl. No.: **29/612,237**

(22) Filed: **Jul. 31, 2017**

(30) **Foreign Application Priority Data**

Feb. 3, 2017 (JP) 2017-001962

(51) **LOC (11) Cl.** **14-01**

(52) **U.S. Cl.**
USPC **D14/227**

(58) **Field of Classification Search**
USPC D14/224-229, 115, 149, 167, 238, 243,
D14/249, 497; D16/244; D17/99;
D6/681; 248/125.1, 166, 185.1;
381/355, 359, 361-363, 365, 366, 369,
381/375; 379/428.01, 428.04, 431,
379/433.03
CPC . H04R 25/00; H04R 1/02; H04R 5/02; H04R
9/08; F16M 11/38; F16M 13/00; F16M
11/00
See application file for complete search history.

(56) **References Cited**

U.S. PATENT DOCUMENTS

4,066,231 A * 1/1978 Bahner B43M 99/00
248/289.11
D247,621 S * 3/1978 Podall D14/227

D341,593 S * 11/1993 Chang D14/159
D350,747 S * 9/1994 McClendon D14/150
D373,585 S * 9/1996 Nagele D14/149
D424,053 S * 5/2000 Ito D14/141.2
D493,441 S * 7/2004 Sabick D14/149
D494,152 S * 8/2004 Sabick D14/149
D556,742 S * 12/2007 Lee D14/229
D587,250 S * 2/2009 Cai D14/227
D599,332 S * 9/2009 Lee D14/229
D600,232 S * 9/2009 Lee D14/137
D718,748 S * 12/2014 Pan D14/159

* cited by examiner

Primary Examiner — Katie Jane Stofko

(74) *Attorney, Agent, or Firm* — Sughrue Mion, PLLC

(57) **CLAIM**

The ornamental design for a microphone controller, as shown and described.

DESCRIPTION

FIG. 1 is a perspective view of the front, top and right side of a microphone controller showing our new design; FIG. 2 is a front view thereof; FIG. 3 is a rear view thereof; FIG. 4 is a right side view thereof, the left side view is a mirror image of the right side view; FIG. 5 is a top plan view thereof; FIG. 6 is a bottom view thereof; and, FIG. 7 is a perspective view thereof, shown in an environment of use.

The broken lines shown in FIGS. 1-6 illustrate portions of the microphone controller that form no part of the claimed design. The broken lines illustrating the extra base in FIG. 7 are environment that form no part of the claimed design, while the remaining broken lines in FIG. 7 illustrate portions of the microphone controller that form no part of the claimed design.

1 Claim, 5 Drawing Sheets

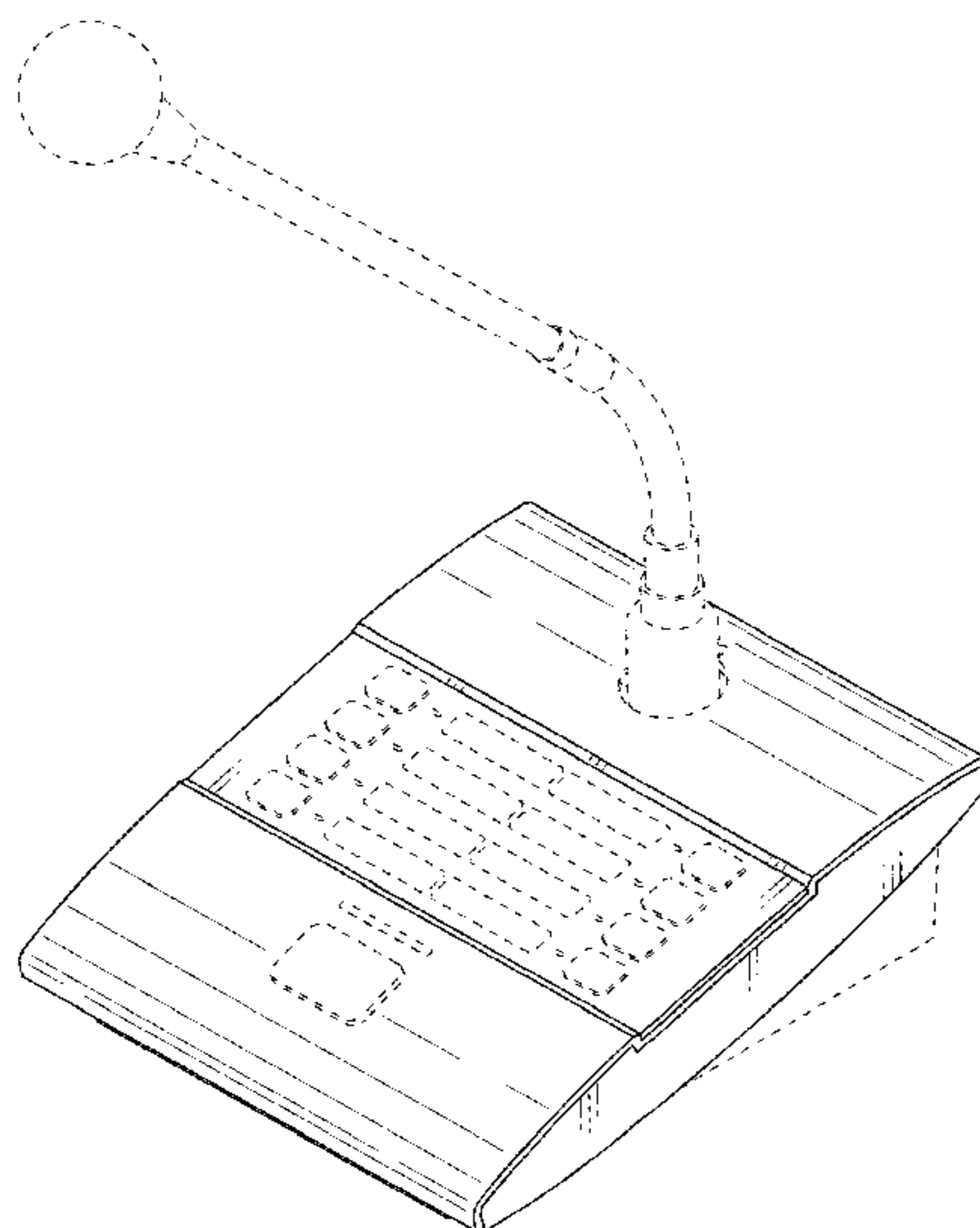


Fig. 1

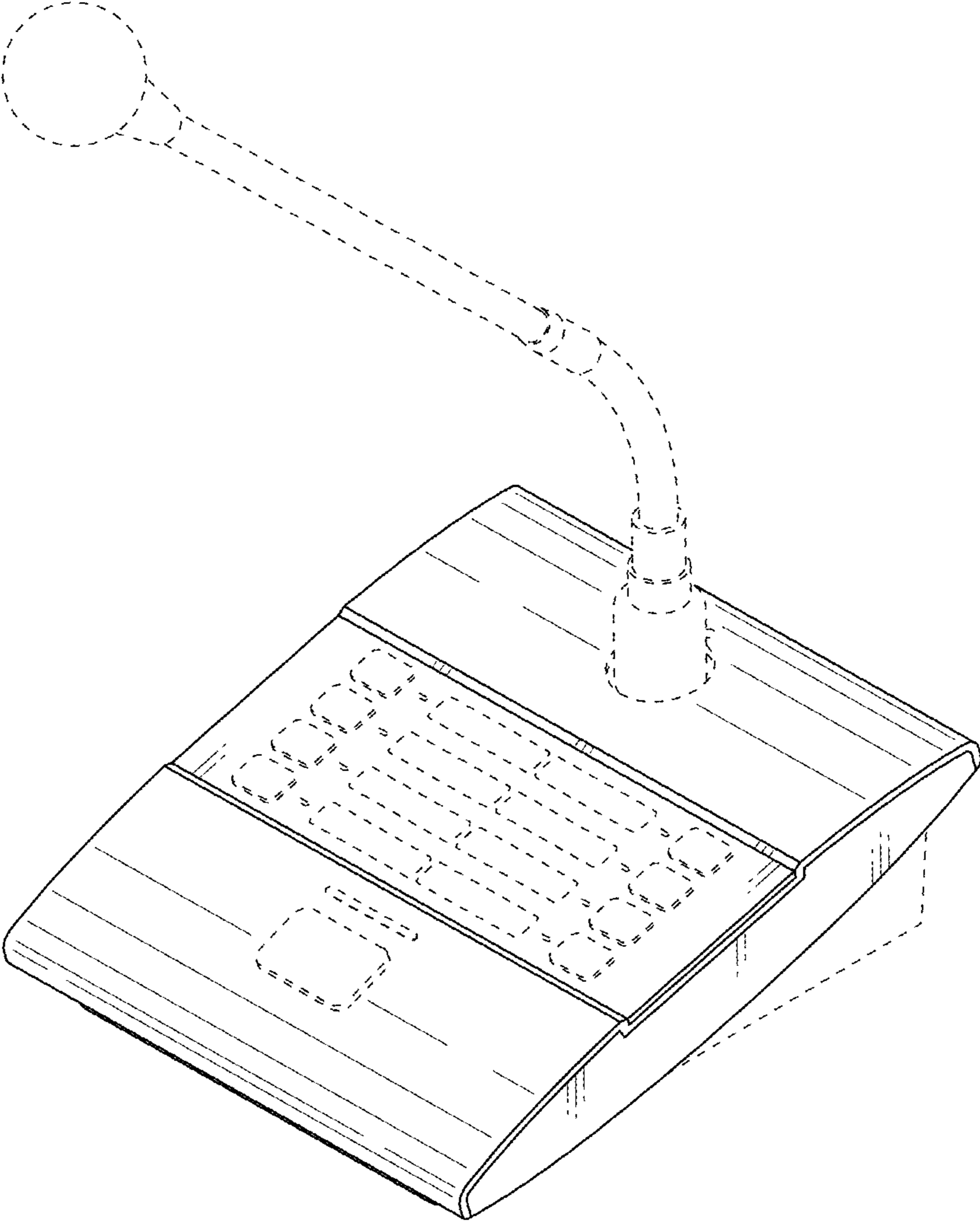


Fig. 2

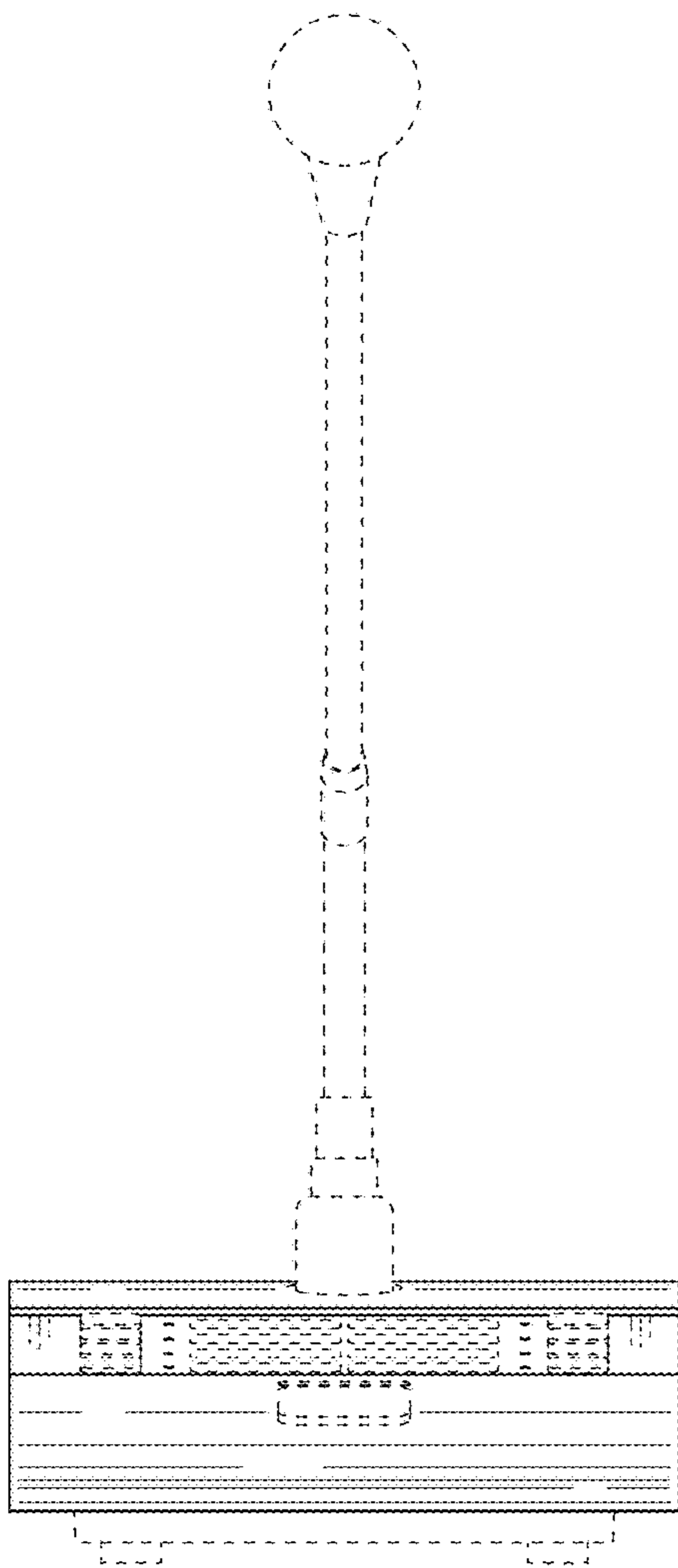


Fig. 3

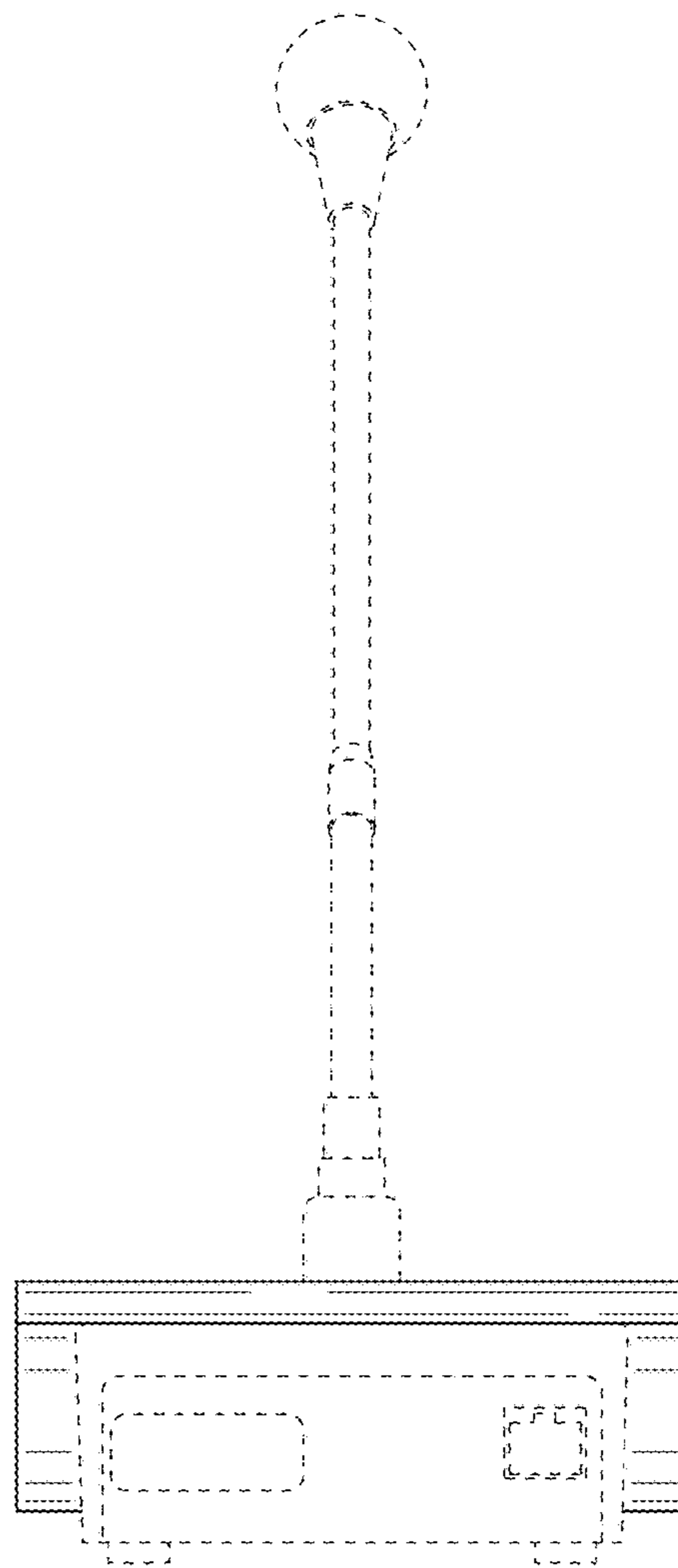


Fig. 4

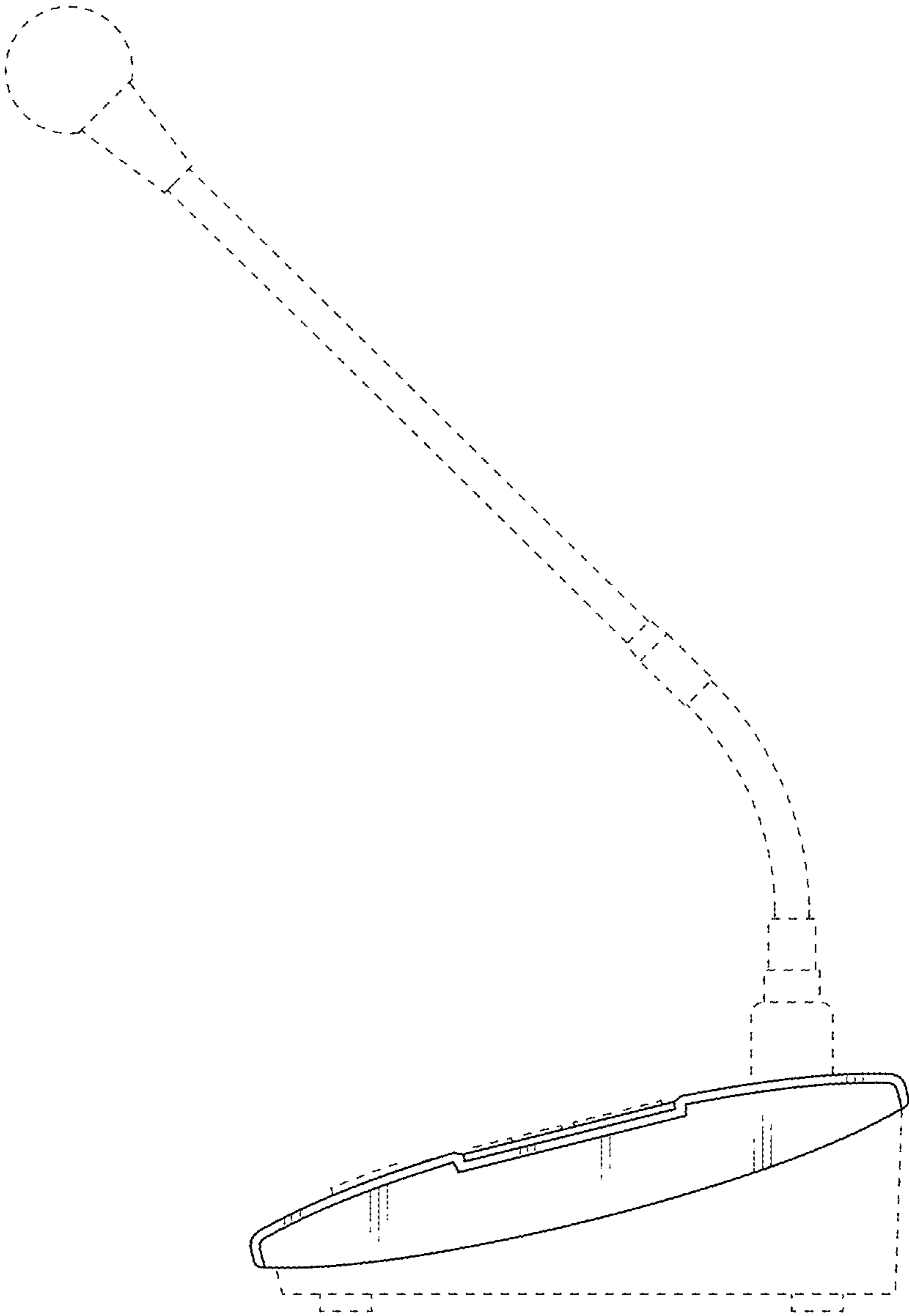


Fig. 5

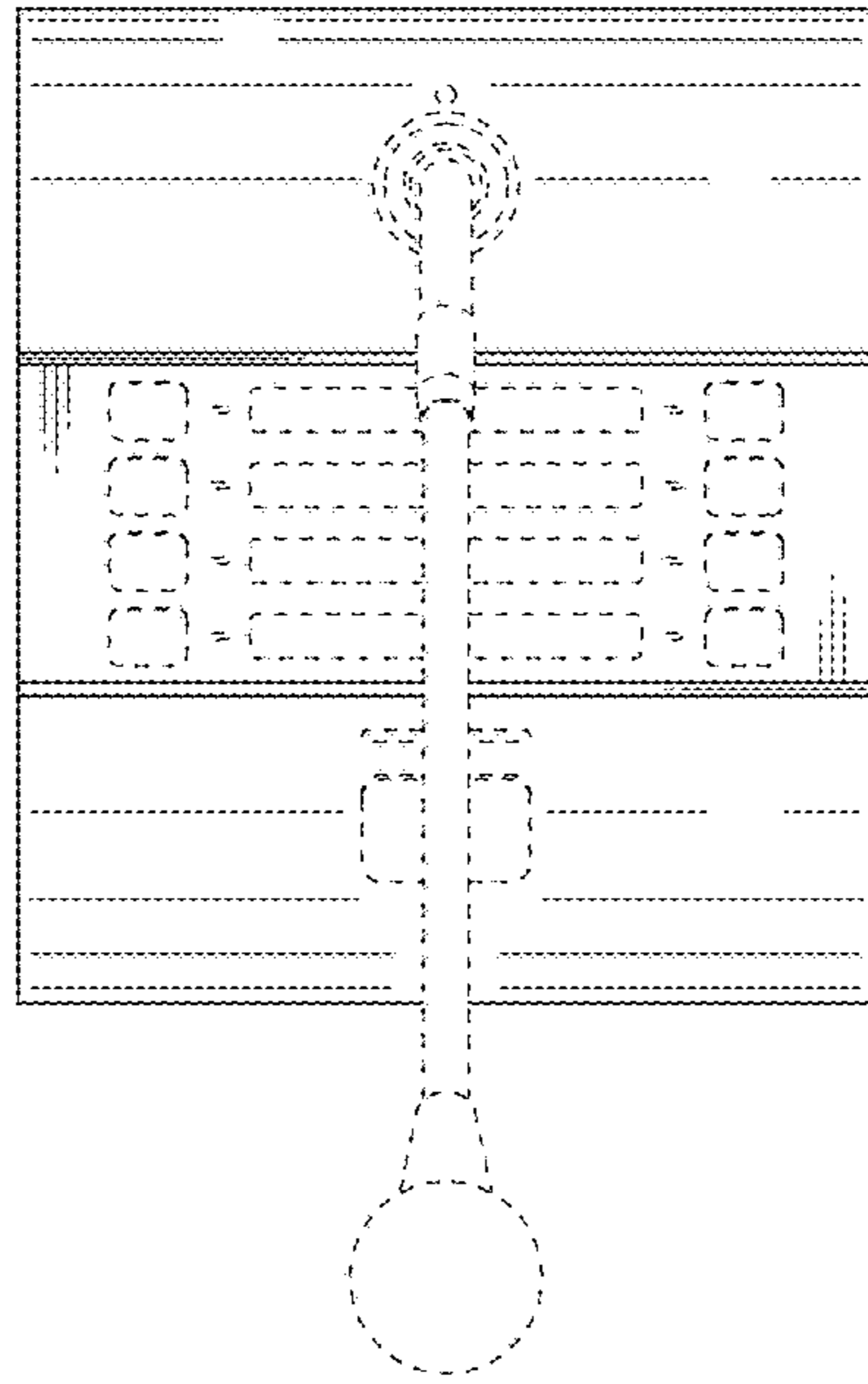


Fig. 6

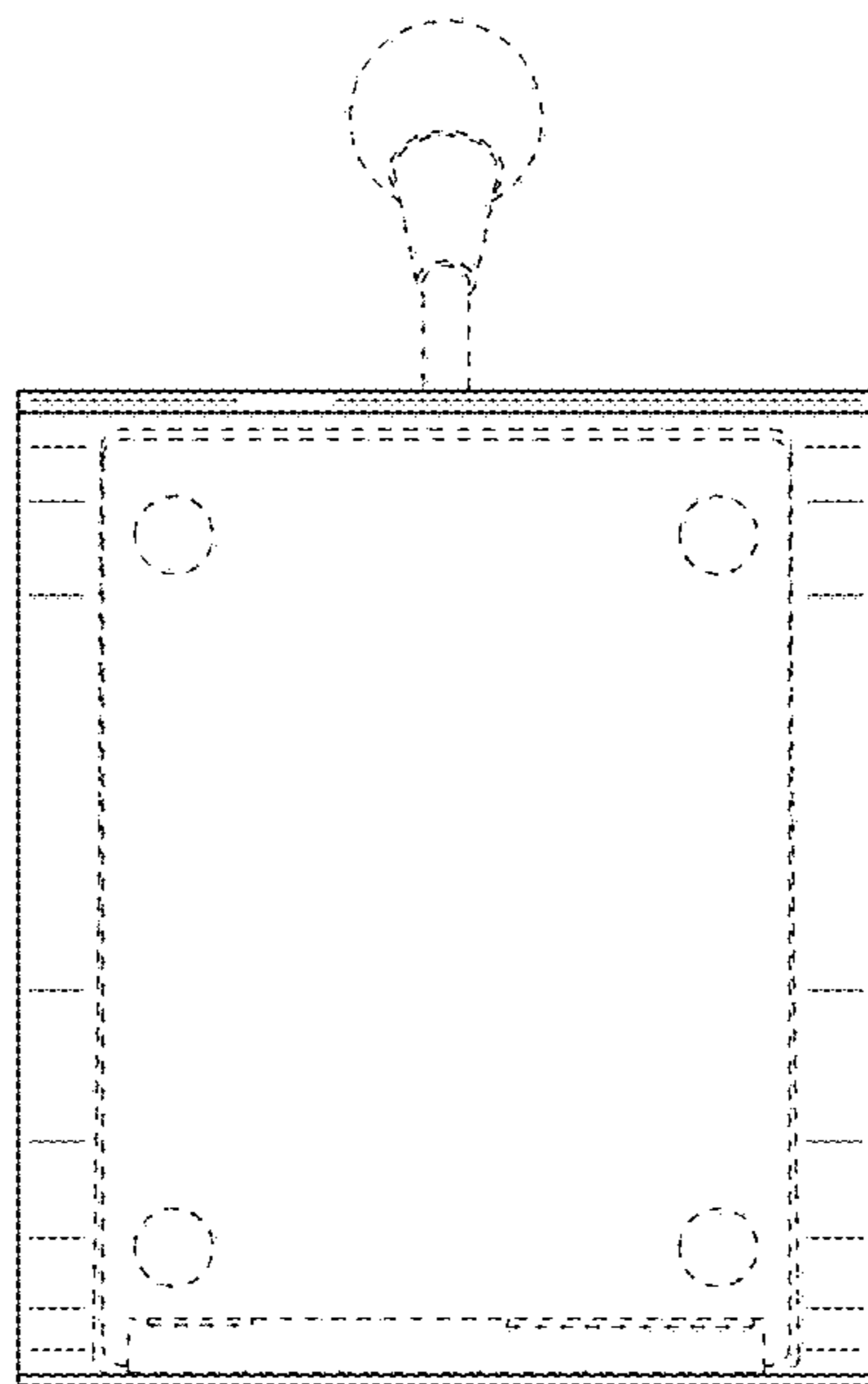


Fig. 7

