



US00D831620S

(12) **United States Design Patent**
Bian et al.

(10) **Patent No.:** **US D831,620 S**
(45) **Date of Patent:** **** Oct. 23, 2018**

- (54) **EARPHONE**
- (71) Applicant: **Head-Direct (Kunshan) Company Limited**, Kunshan (CN)
- (72) Inventors: **Fang Bian**, Kunshan (CN); **Carol Catalano**, Boston, MA (US); **Peter Castellucci**, Boston, MA (US)
- (73) Assignee: **Head-Direct (Kunshan) Company Limited**, Kunshan (CN)
- (**) Term: **15 Years**
- (21) Appl. No.: **29/605,545**
- (22) Filed: **May 26, 2017**
- (51) **LOC (11) Cl.** **14-01**
- (52) **U.S. Cl.**
USPC **D14/223**
- (58) **Field of Classification Search**
USPC D14/223, 205; D24/174; 128/865, 866, 128/867; 181/129, 130, 135; 379/430, 379/431; 381/380, 381, 374, 322; 455/90.3, 575.1, 569.1
CPC H04R 1/10; H04R 25/00; H04R 25/02; H04R 1/1066; H04R 1/1016; H04R 1/1033; H04R 1/1058; H04R 1/1091
See application file for complete search history.

(56) **References Cited**

U.S. PATENT DOCUMENTS

2,719,523	A *	10/1955	Von Gierke	A61F 11/10	128/864
3,047,089	A *	7/1962	Zwislocki	A61F 11/08	128/864
D206,665	S *	1/1967	Sanzone	D24/174	
D208,784	S *	10/1967	Sanzone	D24/174	
D213,448	S *	3/1969	Giller	D24/174	
3,440,365	A *	4/1969	Hazell	H04M 1/05	379/430

4,073,366	A *	2/1978	Estes	G10K 11/002	181/158
4,607,720	A *	8/1986	Hardt	H04R 25/652	181/135
5,298,692	A *	3/1994	Ikeda	H04R 1/1016	181/135
D506,258	S *	6/2005	Nielsen	D24/174	
7,092,543	B1 *	8/2006	Mahoney	H04R 25/65	381/322
7,113,611	B2 *	9/2006	Leedom	H04R 25/608	381/322
D529,612	S *	10/2006	Feeley	D24/174	
D532,520	S *	11/2006	Kampmeier	D24/174	
D532,770	S *	11/2006	Engstrom	D14/205	
D535,642	S *	1/2007	Garcia	D14/206	
D550,657	S *	9/2007	Gan	D14/223	
D557,253	S *	12/2007	Engstrom	D14/205	
D564,098	S *	3/2008	Lockenwitz	D24/174	
D564,495	S *	3/2008	Sasaki	D14/205	
D568,480	S *	5/2008	Lockenwitz	D24/174	
D587,247	S *	2/2009	Densho	D14/223	

(Continued)

Primary Examiner — Paula Allen Greene

(74) *Attorney, Agent, or Firm* — Baker & Hostetler LLP

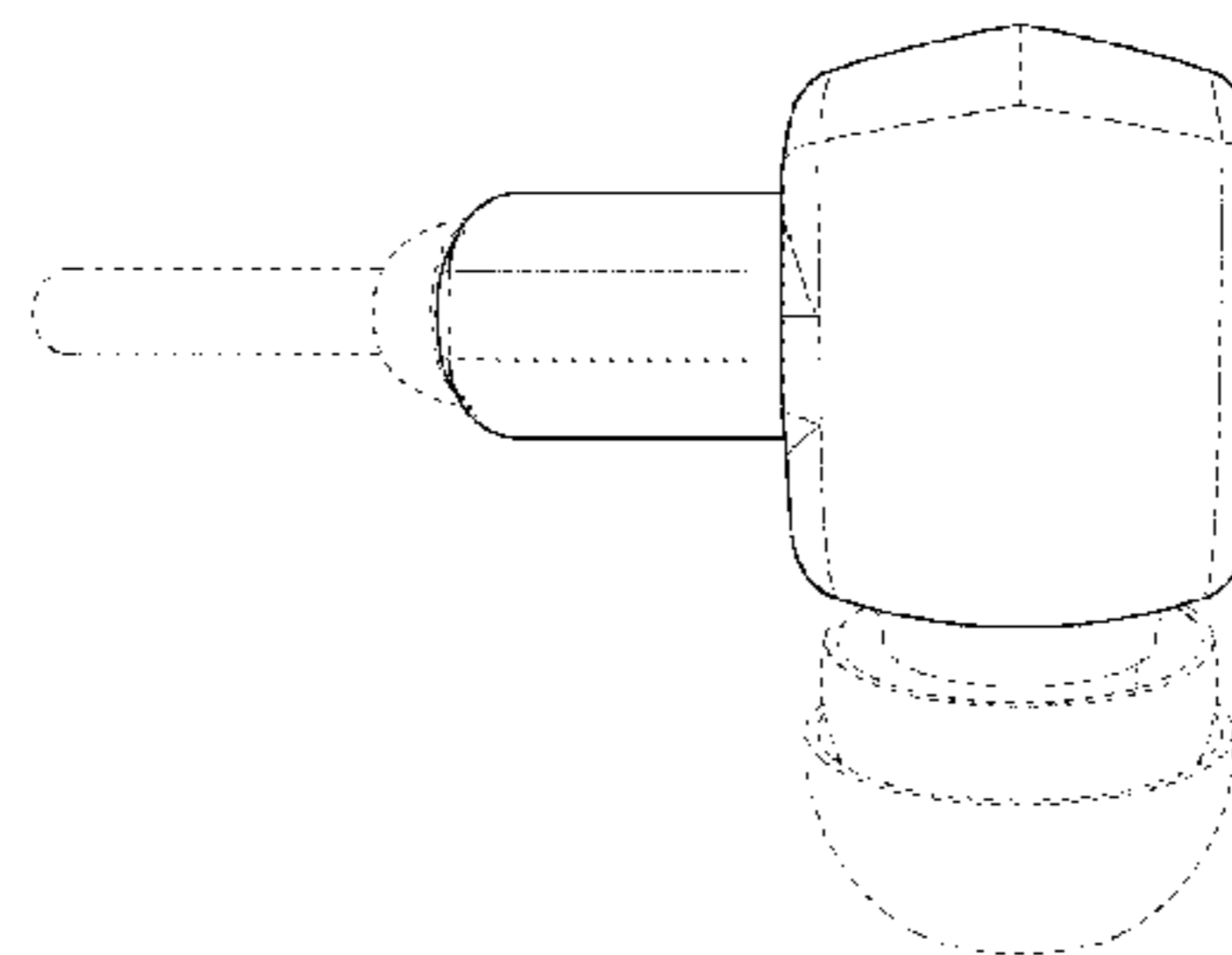
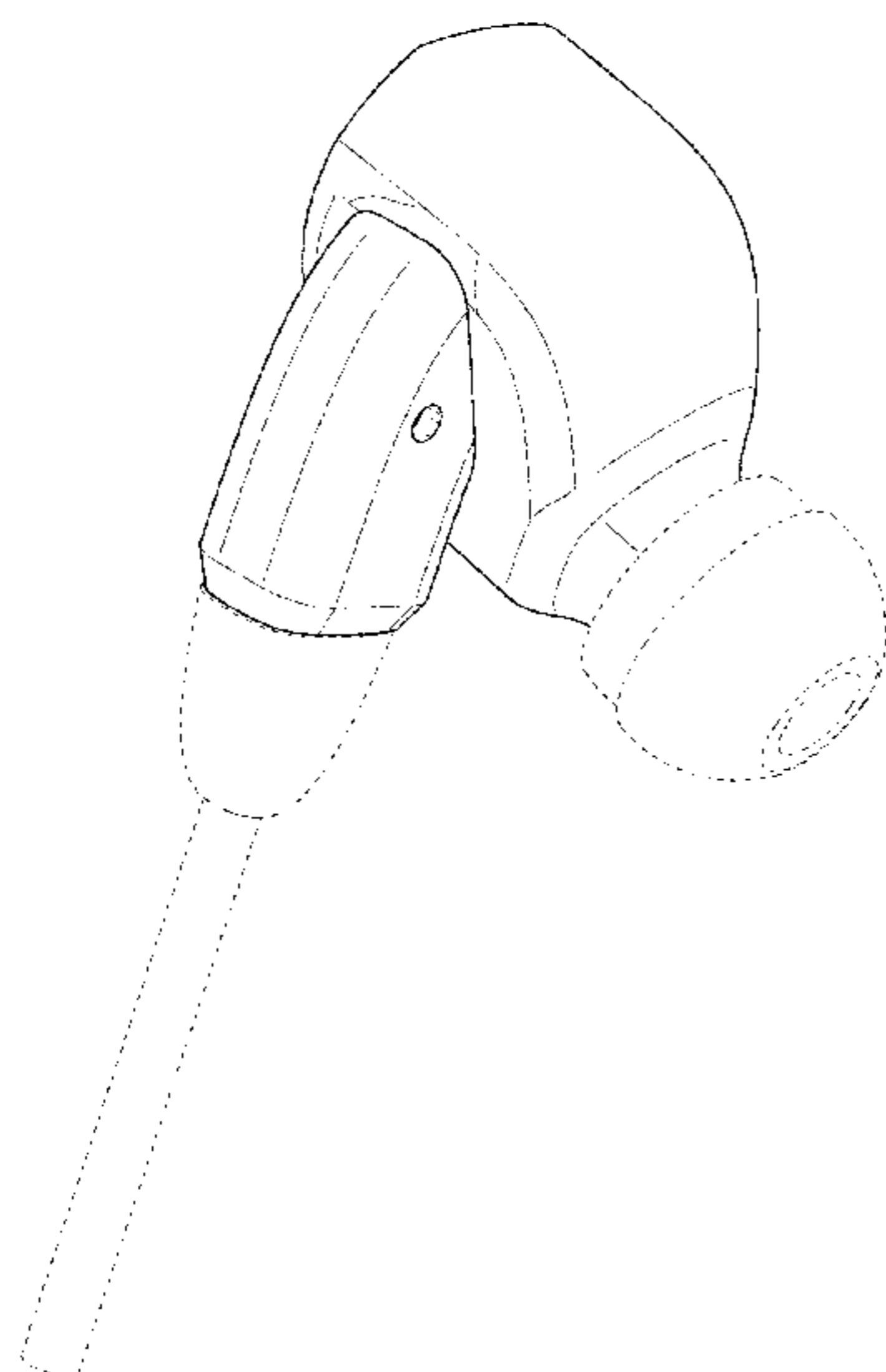
(57) **CLAIM**

The ornamental design for an earphone, as shown and described.

DESCRIPTION

FIG. 1 is a perspective view of an earphone showing our design;
 FIG. 2 is a front view thereof;
 FIG. 3 is a rear view thereof;
 FIG. 4 is a top view thereof;
 FIG. 5 is a bottom view thereof;
 FIG. 6 is a right side view thereof; and,
 FIG. 7 is a left side view thereof.
 The broken lines in the figures show portions of the earphone that form no part of the claimed design.

1 Claim, 4 Drawing Sheets



(56)

References Cited

U.S. PATENT DOCUMENTS

D595,856	S	*	7/2009	Tronza	D24/174
D603,380	S	*	11/2009	Hutchieson	D14/223
D618,805	S	*	6/2010	Hindhede	D24/174
D631,470	S	*	1/2011	Yoneyama	D14/223
D637,998	S	*	5/2011	Brunner	D14/205
D641,010	S	*	7/2011	Kwon	D14/223
D650,907	S	*	12/2011	Naumann	D24/174
D652,822	S	*	1/2012	Lee	D14/223
D654,171	S	*	2/2012	Naumann	D24/174
D658,157	S	*	4/2012	McManigal	D14/205
D668,244	S	*	10/2012	Matsumura	D14/223
D676,427	S	*	2/2013	Yang	D14/223
D713,386	S	*	9/2014	Yang	D14/223
D715,777	S	*	10/2014	Huang	D14/223
8,983,108	B2	*	3/2015	Ho	H04R 1/1016
						181/135
D726,165	S	*	4/2015	Kawaji	D14/223
D735,169	S	*	7/2015	Shieh	D14/223
D751,053	S	*	3/2016	Shin	D14/205
D817,309	S	*	5/2018	Czaniecki	D14/223
2017/0094386	A1	*	3/2017	Trainer	H04R 1/1016

* cited by examiner

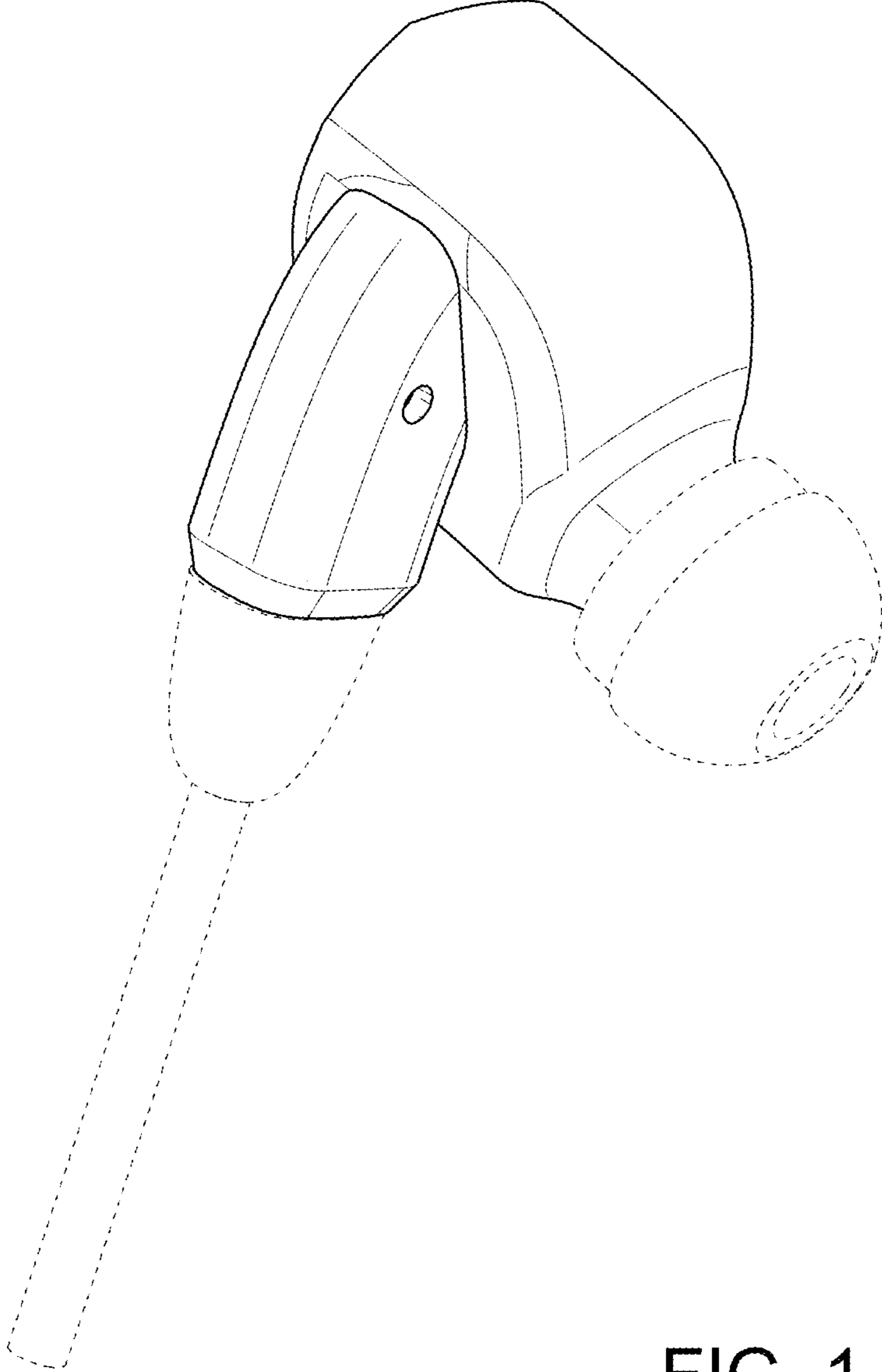


FIG. 1

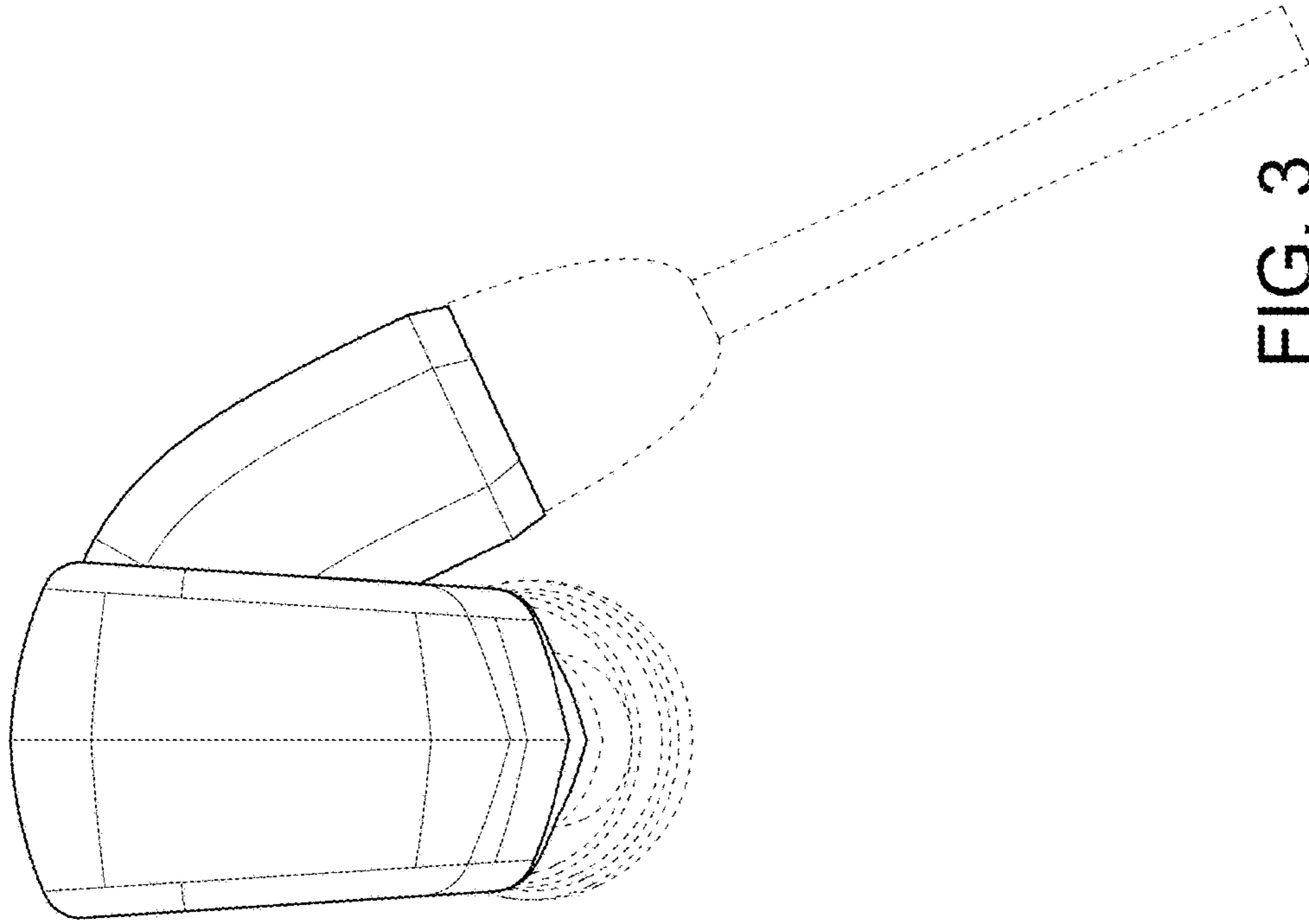


FIG. 2

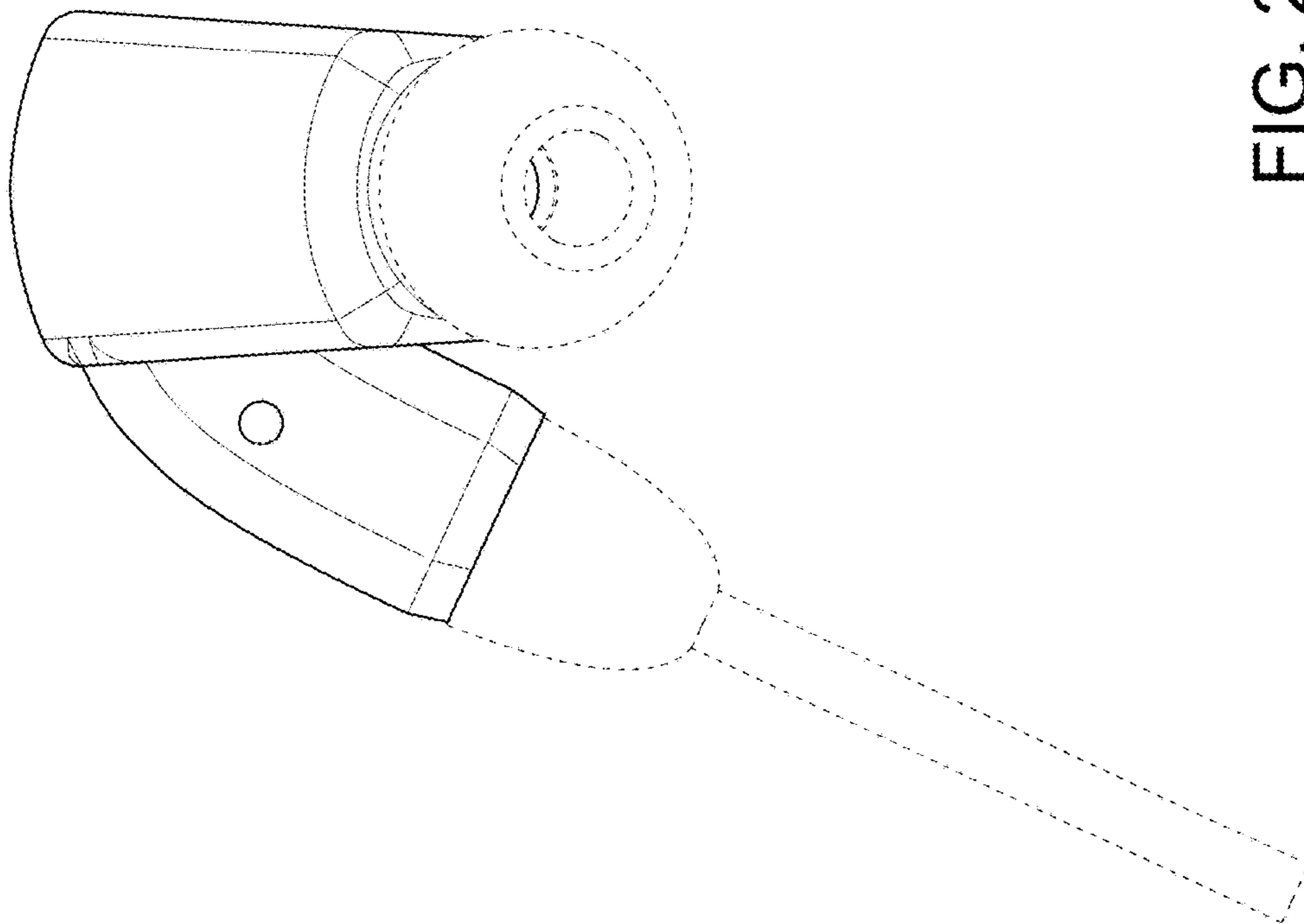


FIG. 3

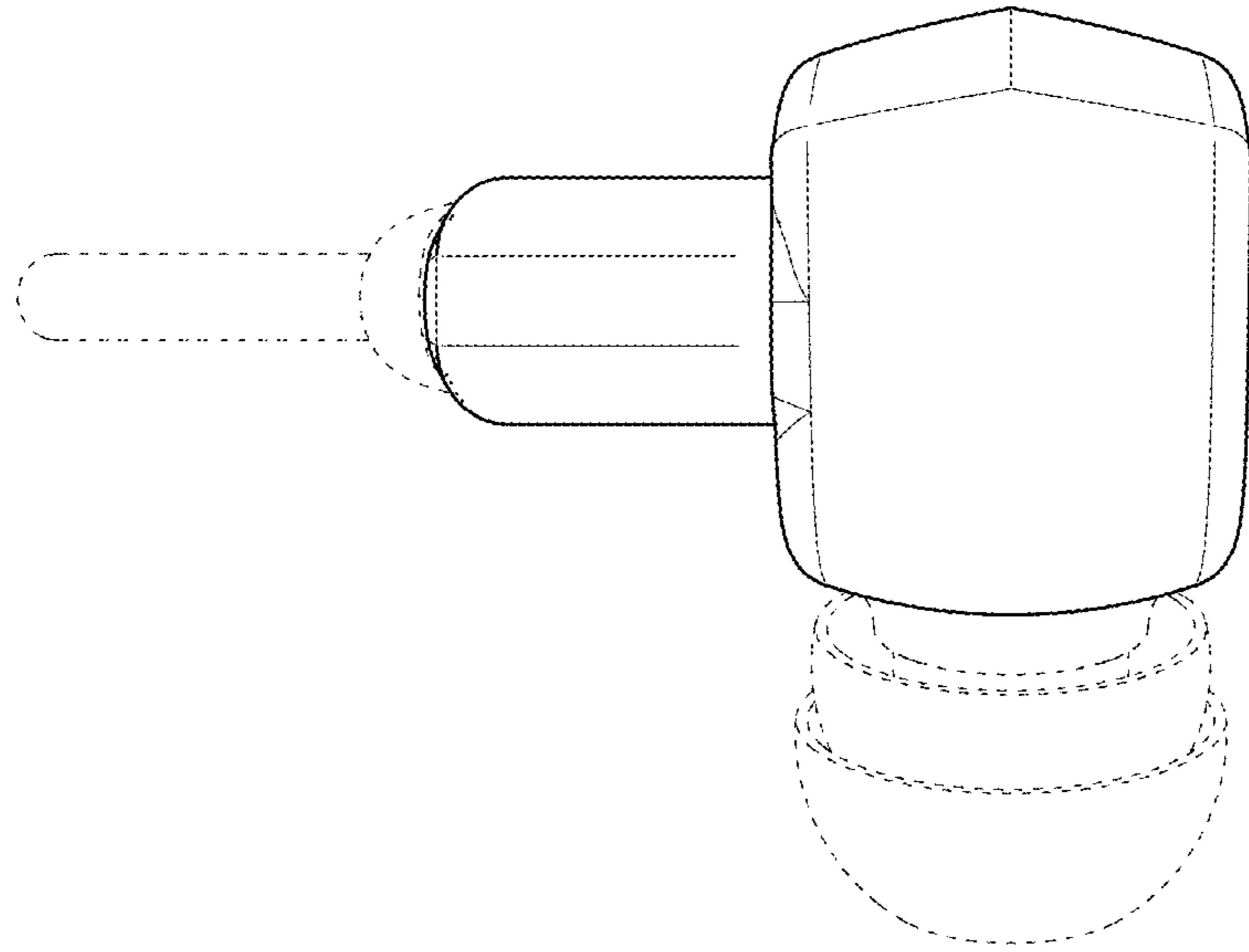


FIG. 4

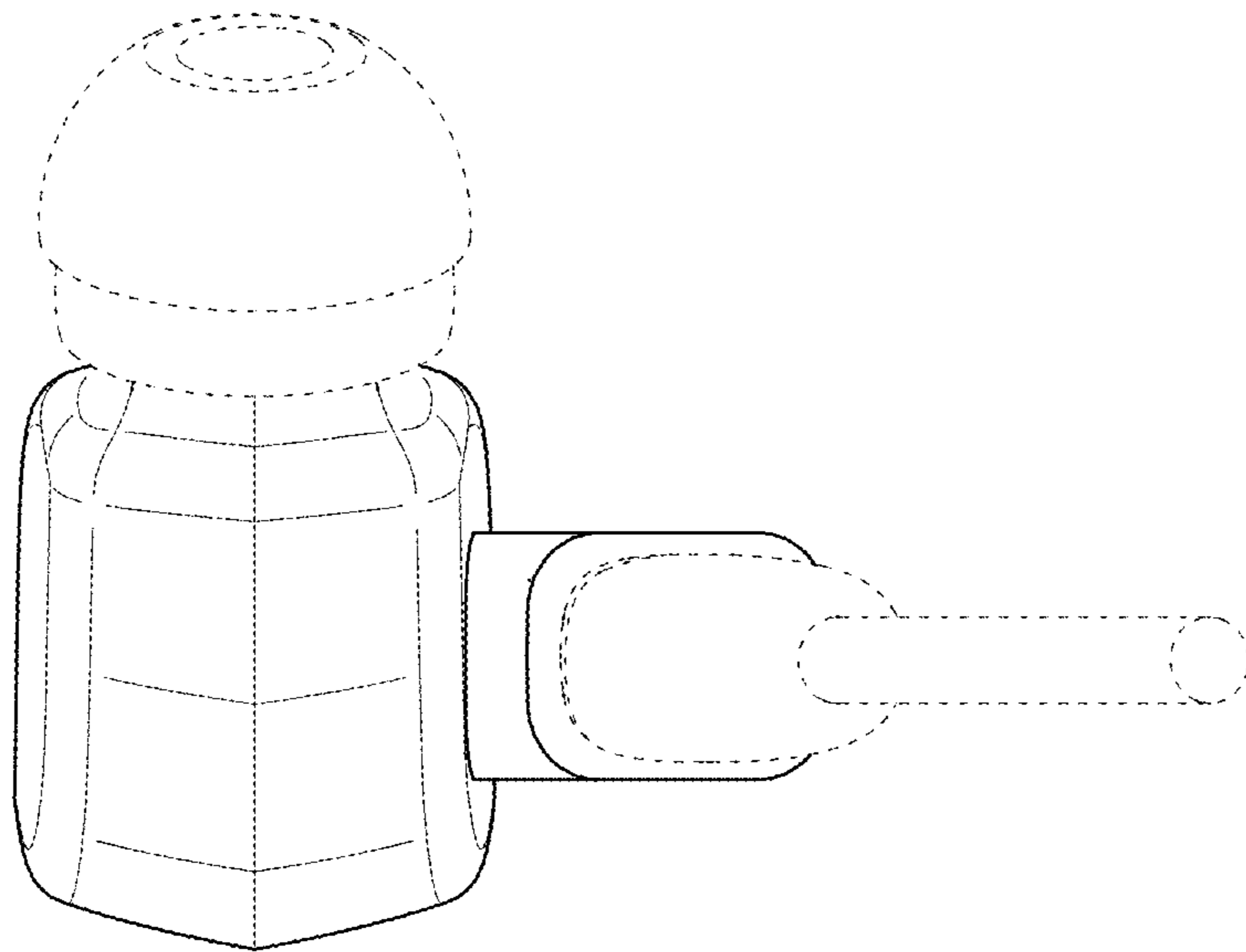


FIG. 5

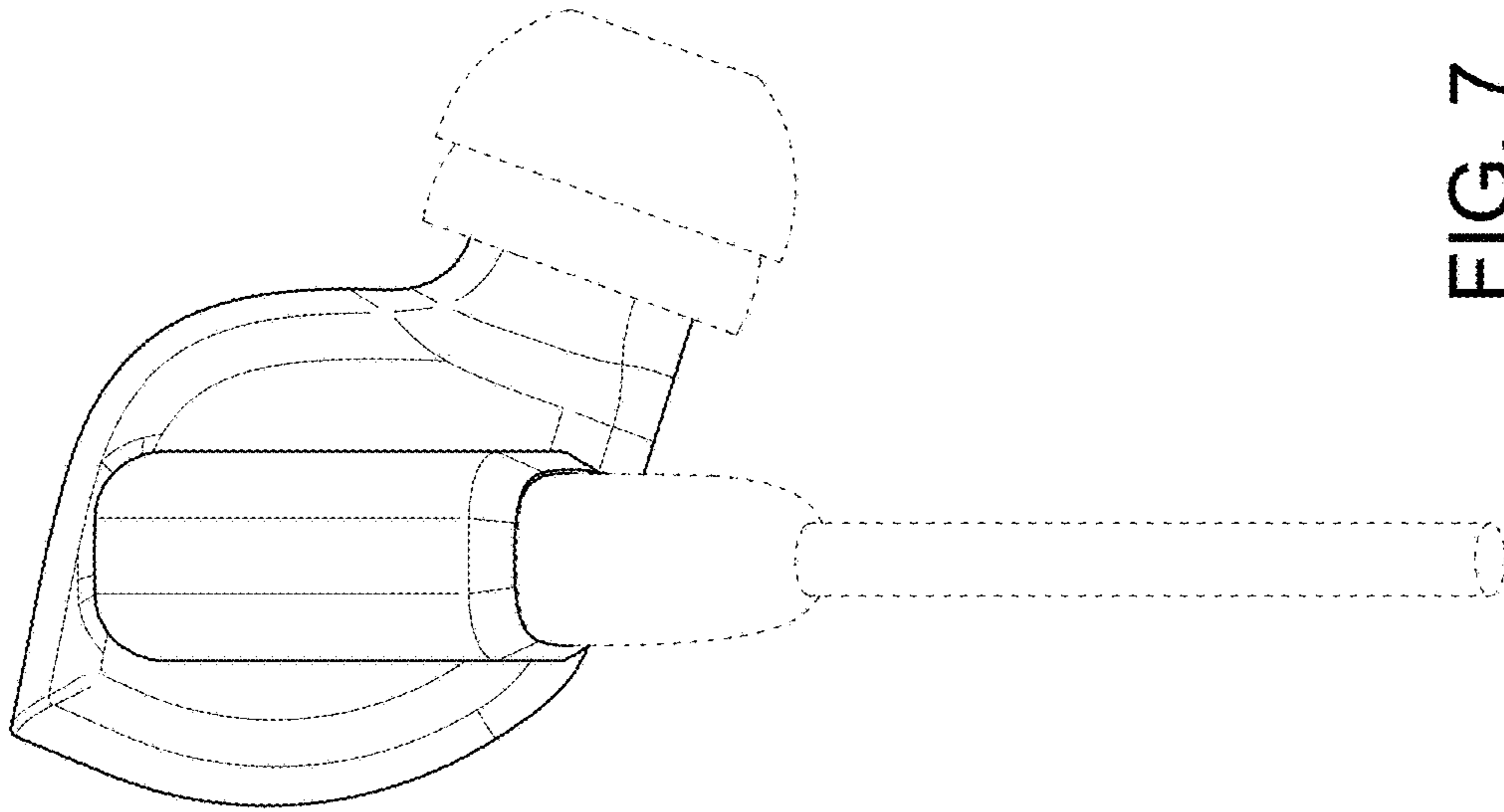


FIG. 7

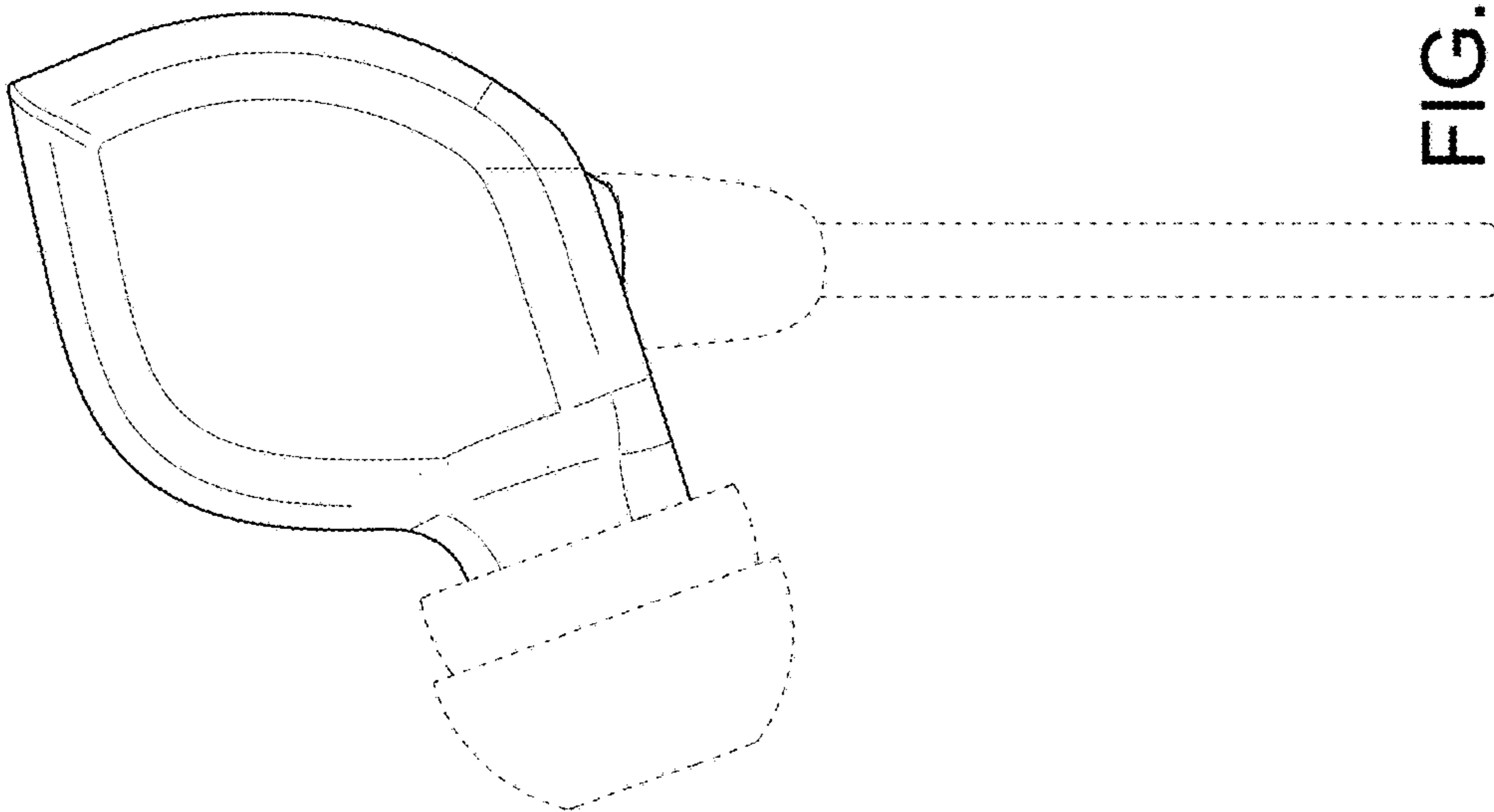


FIG. 6