



US00D831619S

(12) **United States Design Patent**  
**Matoba et al.**

(10) **Patent No.:** **US D831,619 S**

(45) **Date of Patent:** **\*\* \*Oct. 23, 2018**

(54) **EARPHONE**

(71) Applicant: **AUDIO-TECHNICA CORPORATION**, Tokyo (JP)

(72) Inventors: **Hiroyuki Matoba**, Kanagawa (JP);  
**Shohei Araki**, Kanagawa (JP)

(73) Assignee: **AUDIO-TECHNICA CORPORATION**, Tokyo (JP)

(\*) Notice: This patent is subject to a terminal disclaimer.

(\*\*) Term: **15 Years**

(21) Appl. No.: **29/597,310**

(22) Filed: **Mar. 16, 2017**

(30) **Foreign Application Priority Data**

Sep. 20, 2016 (JP) ..... 2016-020292

(51) **LOC (11) Cl.** ..... **14-01**

(52) **U.S. Cl.**  
USPC ..... **D14/223**

(58) **Field of Classification Search**  
USPC ..... D14/223, 205; 181/129, 130, 135;  
379/430, 431; 381/380, 381, 322, 330,  
381/378, 370, 353, 372, 373; 455/90.3,  
455/575.1, 569.1  
CPC ..... H04R 1/10; H04R 25/00; H04R 25/02;  
H04R 1/1058; H04R 1/1016; H04R  
25/65; H04R 1/20; H04R 1/105; H04R  
1/1091

See application file for complete search history.

(56) **References Cited**

**U.S. PATENT DOCUMENTS**

5,410,608 A \* 4/1995 Lucey ..... H04R 1/083  
381/360  
6,574,345 B1 \* 6/2003 Huang ..... H04R 1/1016  
379/430

D542,782 S \* 5/2007 Pena Angarita ..... D14/223  
D554,627 S \* 11/2007 Gondo ..... D14/223  
D555,152 S \* 11/2007 Wang ..... D14/223  
D567,217 S \* 4/2008 Kamo ..... D14/205  
D569,841 S \* 5/2008 Chung ..... D14/205  
D572,703 S \* 7/2008 Ledbetter ..... D14/205  
D576,154 S \* 9/2008 Ledbetter ..... D14/223  
D587,681 S \* 3/2009 Yanai ..... D14/205  
D587,685 S \* 3/2009 Densho ..... D14/206  
D589,493 S \* 3/2009 Densho ..... D14/206  
D594,441 S \* 6/2009 Lee ..... D14/205  
D598,894 S \* 8/2009 Masuda ..... D14/205  
D599,778 S \* 9/2009 Ando ..... D14/205  
D602,475 S \* 10/2009 Martin ..... D14/223  
D618,211 S \* 6/2010 Oguro ..... D14/205  
D627,764 S \* 11/2010 Tsai ..... D14/223  
D628,193 S \* 11/2010 Zheng ..... D14/223  
D628,564 S \* 12/2010 Chong ..... D14/223  
D629,395 S \* 12/2010 Lee ..... D14/223  
D637,181 S \* 5/2011 Fuller ..... D14/223

(Continued)

*Primary Examiner* — Paula Allen Greene

(74) *Attorney, Agent, or Firm* — W&C IP

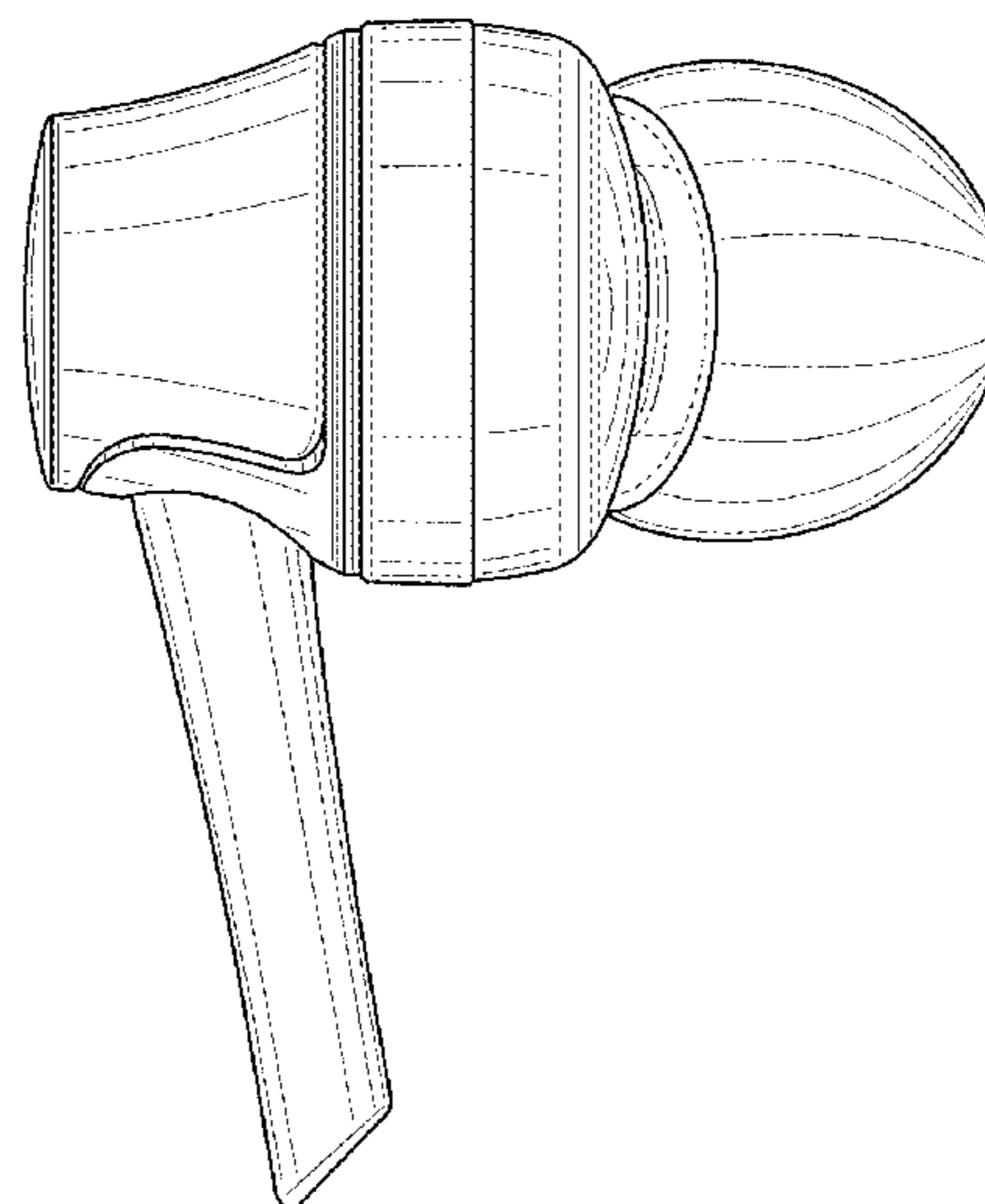
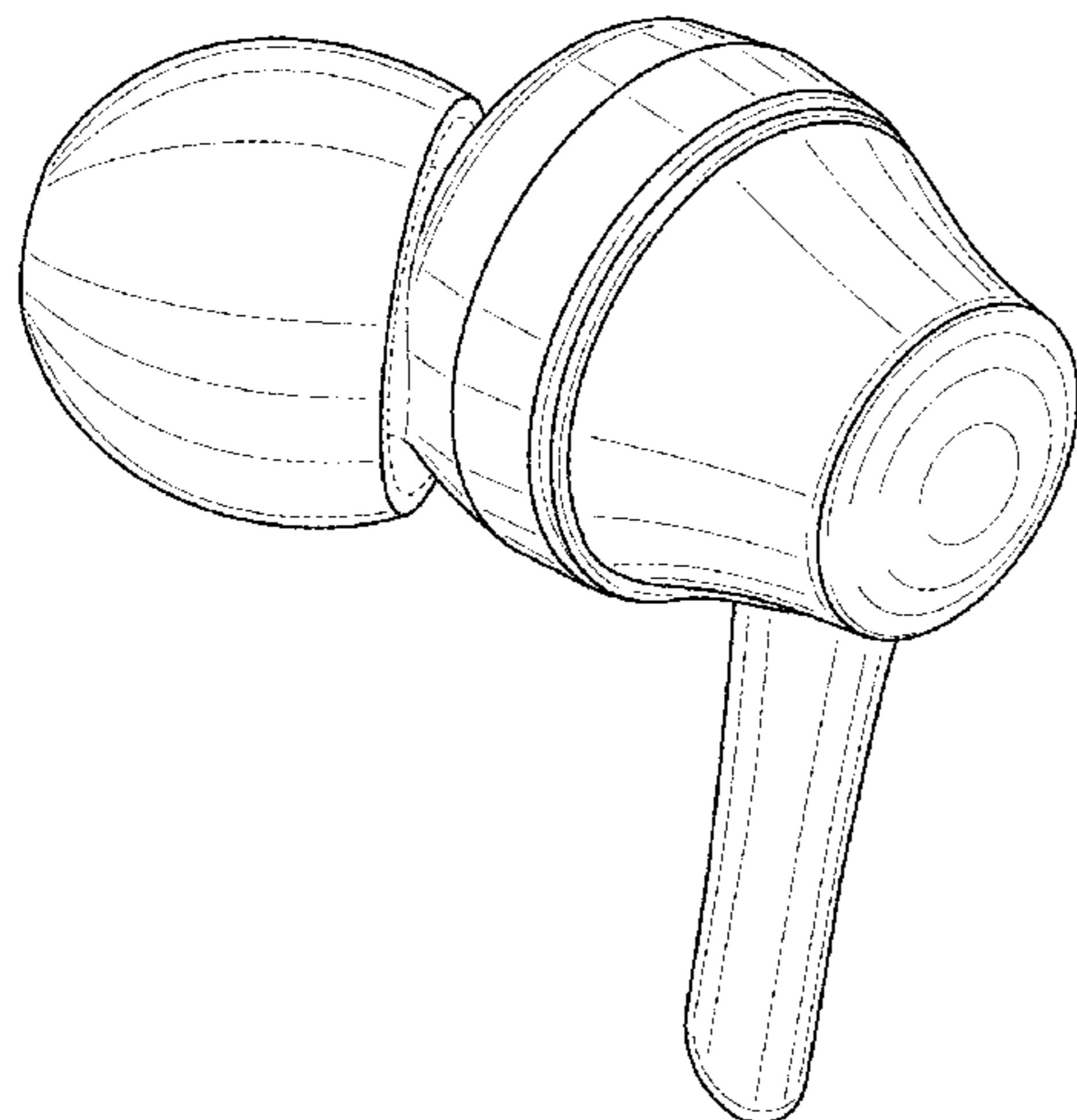
(57) **CLAIM**

We claim the ornamental design for an earphone, as shown and described.

**DESCRIPTION**

FIG. 1 is a front side perspective view of an earphone; FIG. 2 is a rear side perspective view of the earphone; FIG. 3 is a front elevational view of the earphone; FIG. 4 is a rear elevational view of the earphone; FIG. 5 is a left side elevational view of the earphone; FIG. 6 is a right side elevational view of the earphone; FIG. 7 is a top plan view of the earphone; and, FIG. 8 is a bottom plan view of the earphone. Portions of the drawings shown in broken lines form no part of the claimed design. The dot dash line represents a boundary of the claim and forms no part thereof.

**1 Claim, 8 Drawing Sheets**



(56)

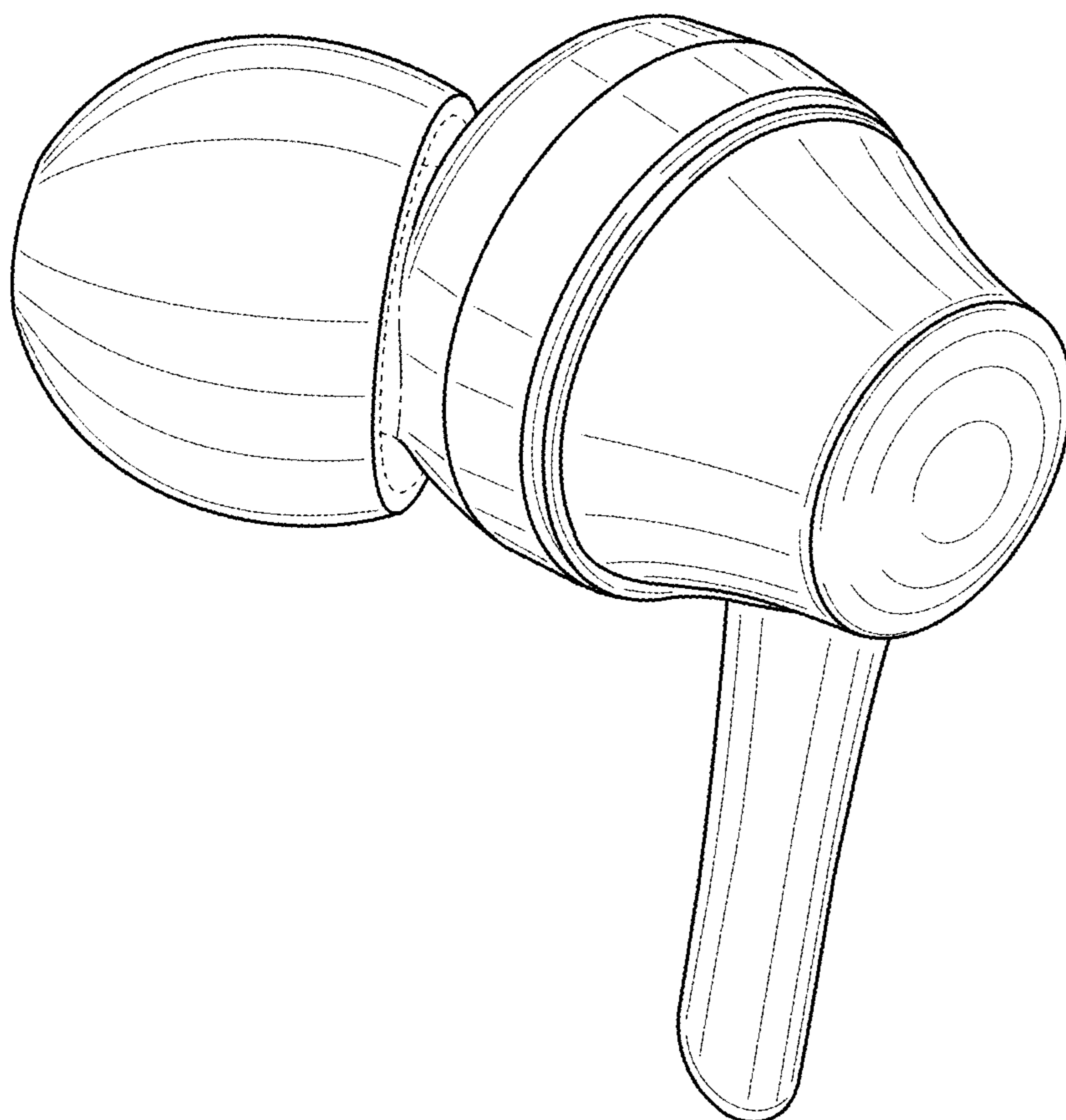
**References Cited**

U.S. PATENT DOCUMENTS

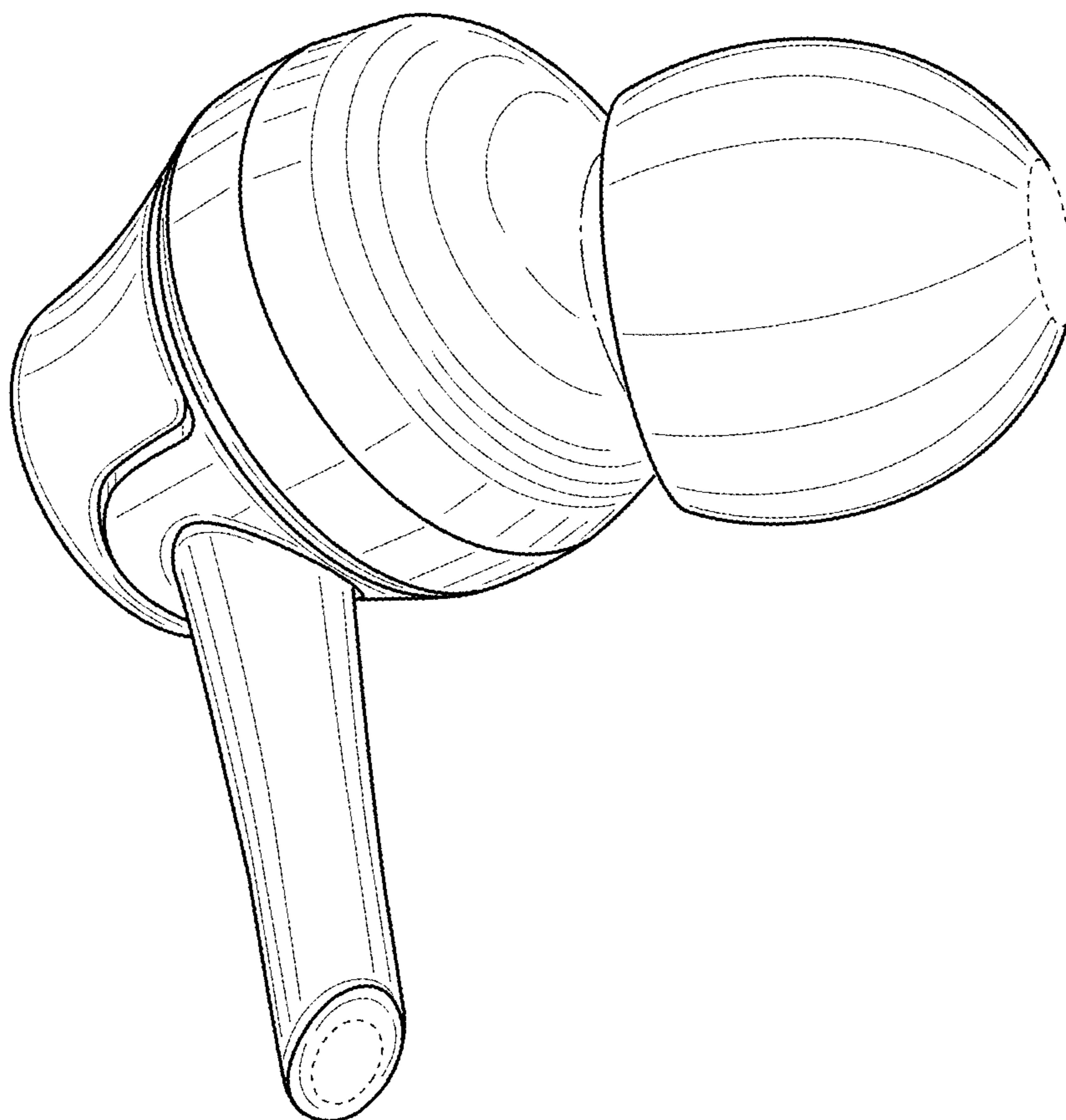
D643,416	S *	8/2011	Chong .....	D14/223
D653,236	S *	1/2012	Andre .....	D14/205
D660,290	S *	5/2012	Weedon .....	D14/223
D674,377	S *	1/2013	Schaefer .....	D14/223
D676,427	S *	2/2013	Yang .....	D14/223
8,391,536	B2 *	3/2013	Hashimoto .....	H04R 1/1016 381/370
D680,102	S *	4/2013	Chen .....	D14/223
D685,767	S *	7/2013	Kelly .....	D14/223
D710,334	S *	8/2014	Yang .....	D14/223
D718,286	S *	11/2014	Yang .....	D14/223
D784,298	S *	4/2017	Ozawa .....	D14/223
D784,962	S *	4/2017	Yang .....	D14/223
D786,221	S *	5/2017	Stoch .....	D14/223
D802,562	S *	11/2017	Baba .....	D14/223
D806,685	S *	1/2018	Park .....	D14/223
2008/0044003	A1 *	2/2008	Yang .....	H04R 1/1016 379/430
2011/0317864	A1 *	12/2011	Kaneko .....	H04R 1/1066 381/380
2012/0057738	A1 *	3/2012	Lin .....	H04R 1/1091 381/370
2013/0170692	A1 *	7/2013	Kaneko .....	H04R 1/1016 381/380
2014/0205125	A1 *	7/2014	Triato .....	H04R 1/1066 381/330
2016/0205458	A1 *	7/2016	Huang .....	H04R 1/1016 381/380

\* cited by examiner

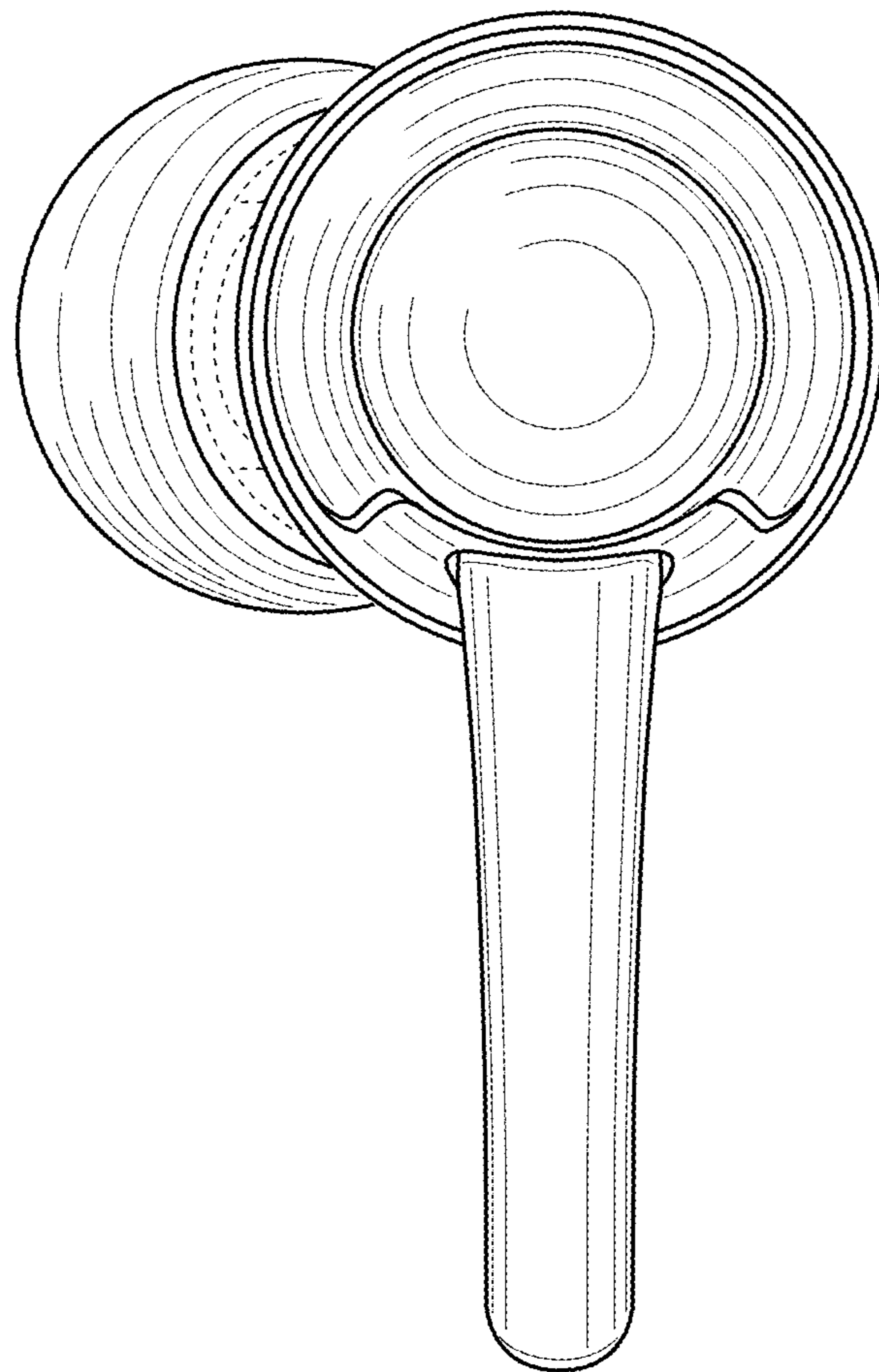
**FIG. 1**



**FIG. 2**

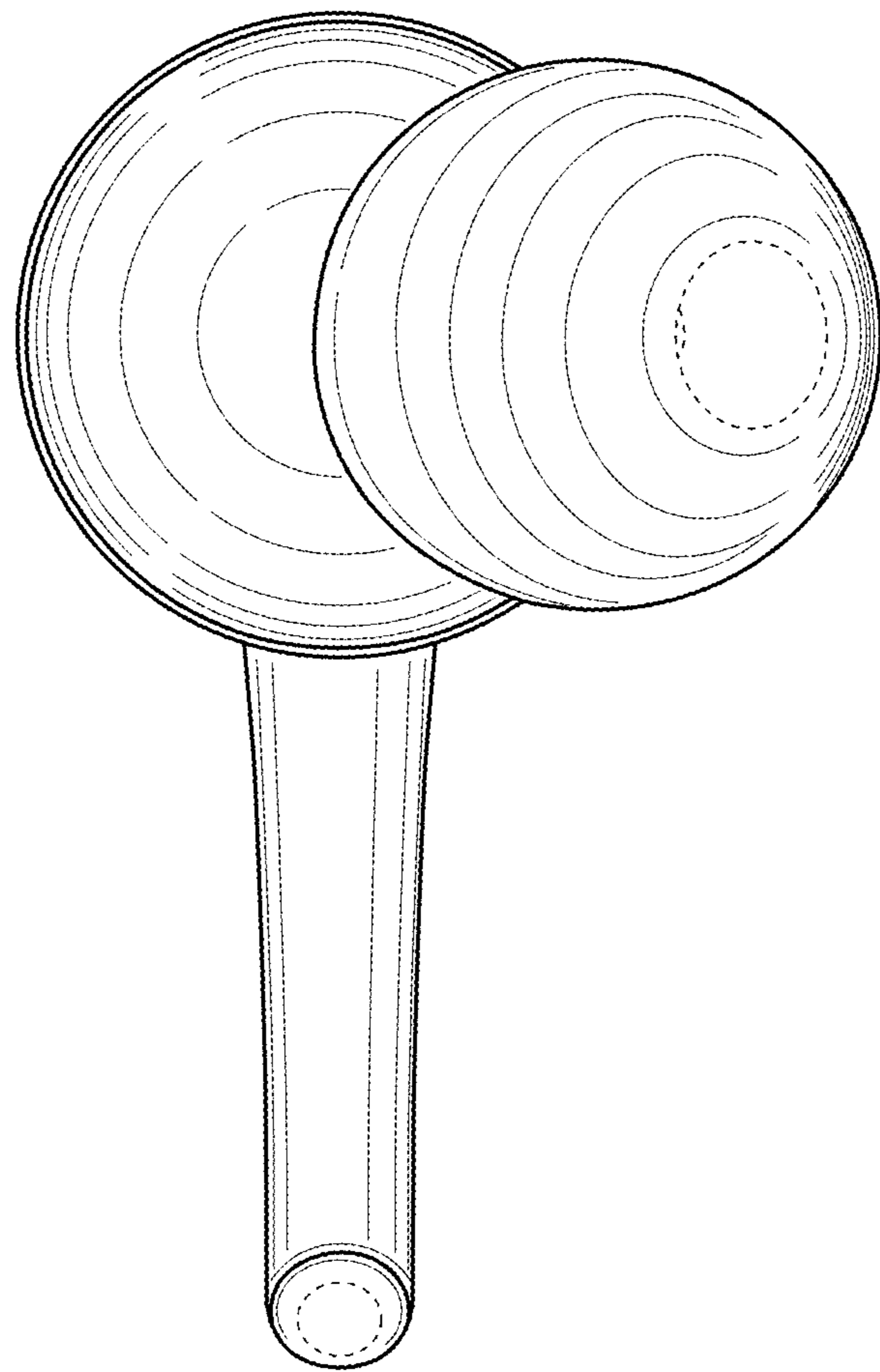


***FIG. 3***

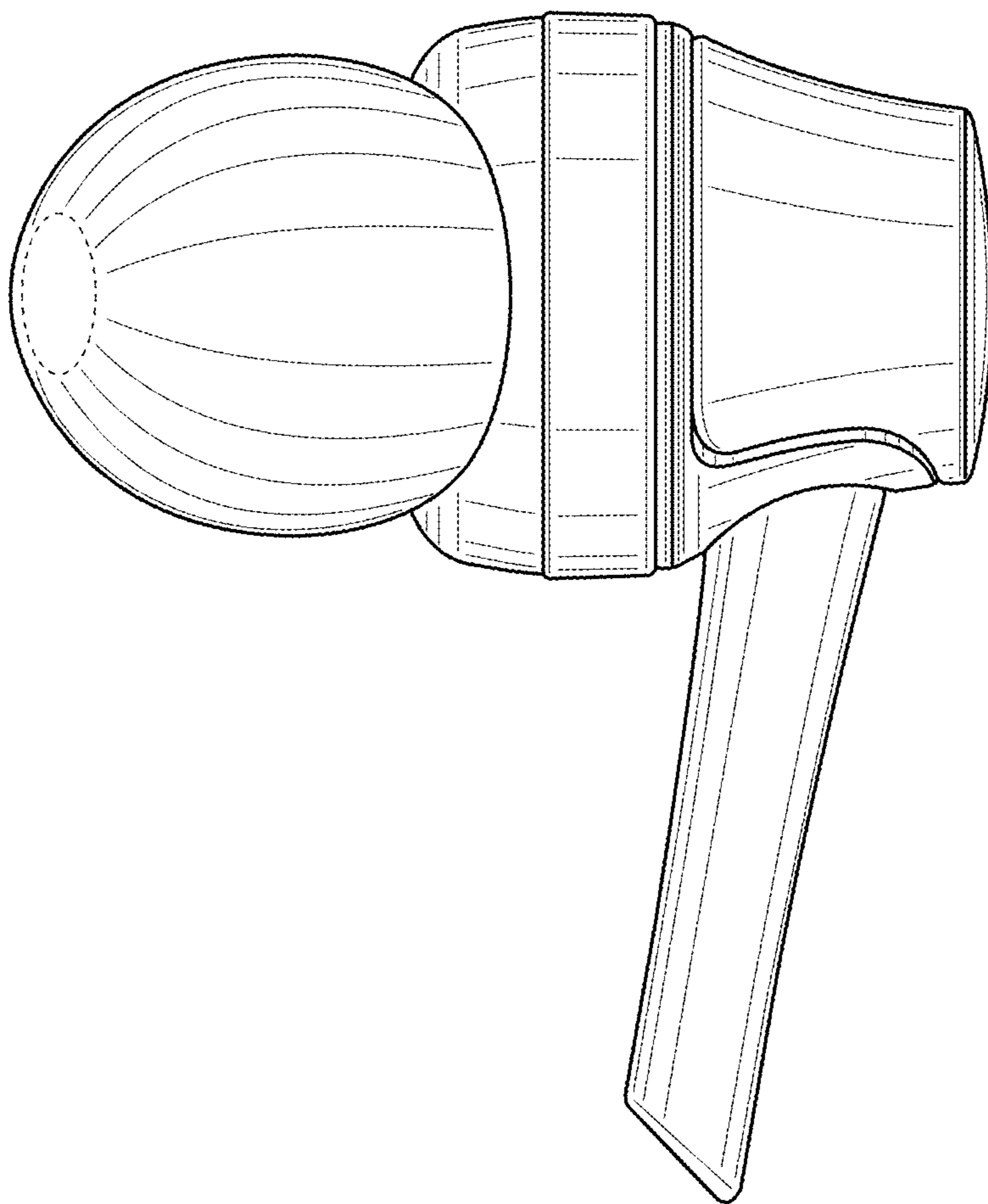




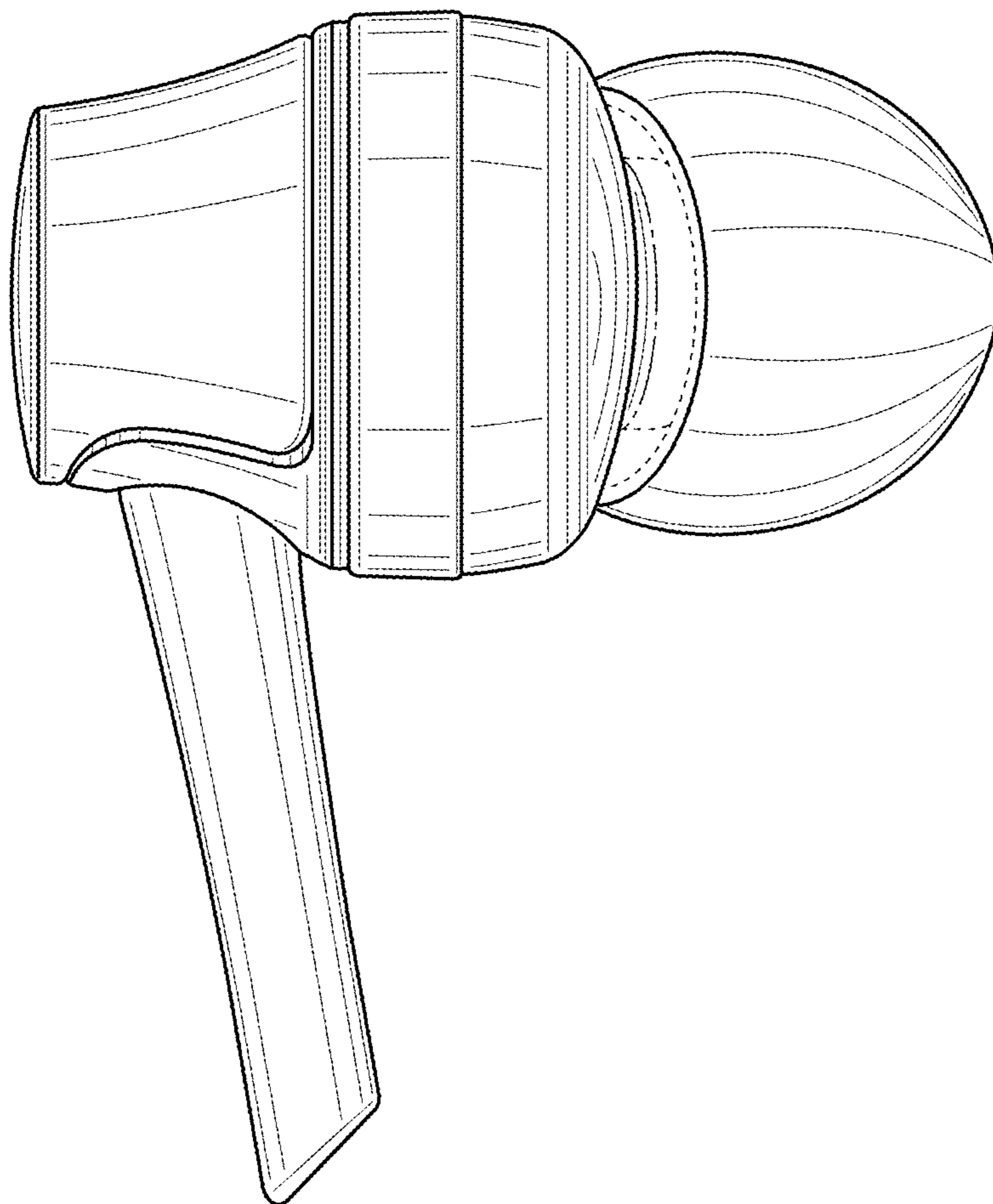
**FIG. 4**



***FIG. 5***

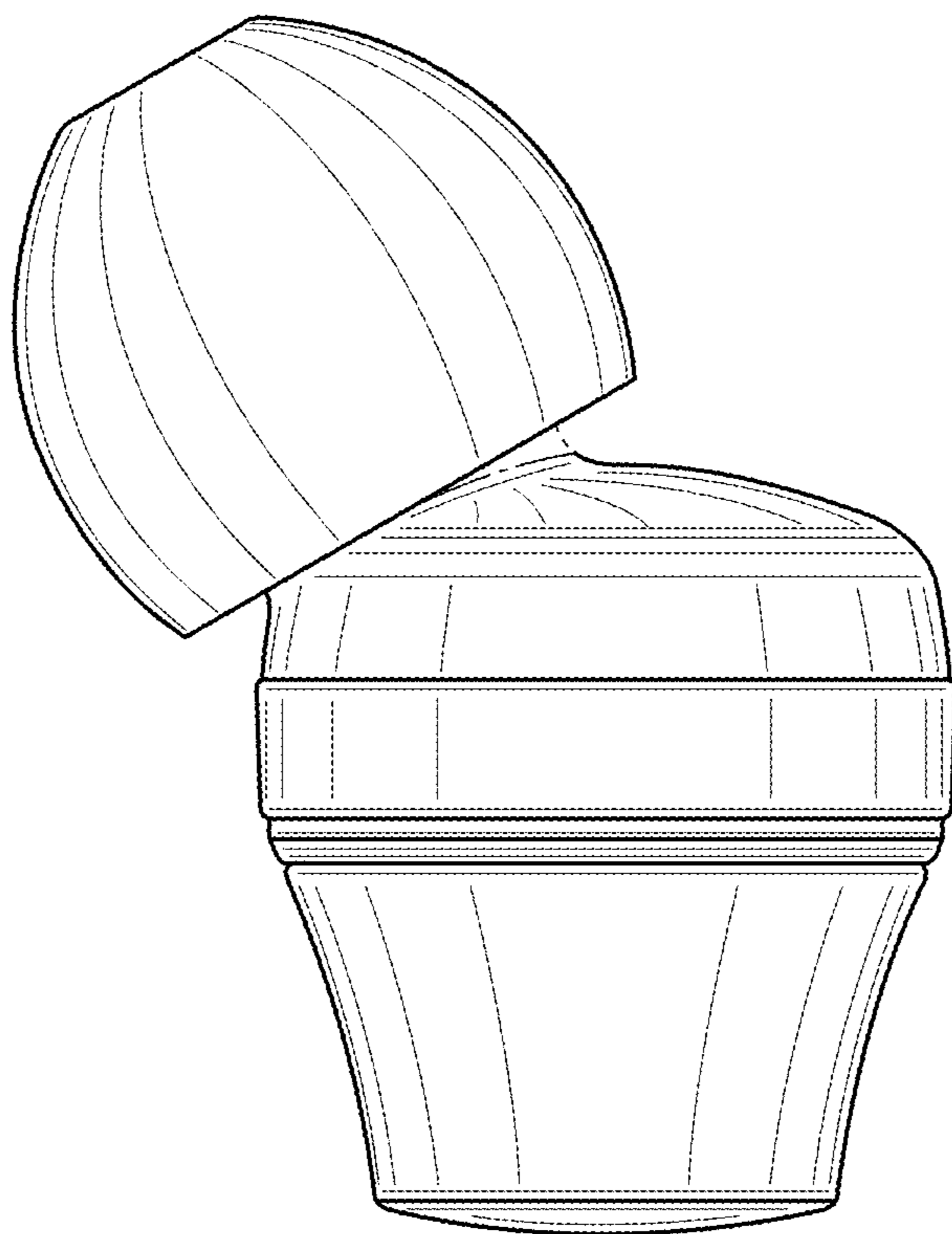


**FIG. 6**





**FIG. 7**



**FIG. 8**

