



US00D831617S

(12) **United States Design Patent**  
**Susumago et al.**

(10) **Patent No.:** **US D831,617 S**  
(45) **Date of Patent:** **\*\* Oct. 23, 2018**

(54) **TOP PLATE WITH A COVER  
OPENING/CLOSING MECHANISM**

(71) Applicant: **Mitsubishi Electric Corporation,**  
Tokyo (JP)

(72) Inventors: **Yuki Susumago,** Tokyo (JP); **Daisuke  
Morimoto,** Tokyo (JP)

(73) Assignee: **Mitsubishi Electric Corporation,**  
Tokyo (JP)

(\*\*) Term: **15 Years**

(21) Appl. No.: **29/598,996**

(22) Filed: **Mar. 30, 2017**

(30) **Foreign Application Priority Data**

Sep. 30, 2016 (JP) ..... 2016-021290

(51) **LOC (11) Cl.** ..... **14-03**

(52) **U.S. Cl.**  
USPC ..... **D14/217**

(58) **Field of Classification Search**  
USPC ..... D14/217, 498-506, 511, 365, 368, 301,  
D14/313, 348-358, 363, 137, 155,  
D14/167-168; D13/149, 184  
(Continued)

(56) **References Cited**

U.S. PATENT DOCUMENTS

D350,340 S \* 9/1994 Inayama ..... D14/367

D359,276 S \* 6/1995 Kurihara ..... D14/368

(Continued)

*Primary Examiner* — Mitchell I. Siegel

*Assistant Examiner* — Khawaja Anwar

(74) *Attorney, Agent, or Firm* — Studebaker & Brackett  
PC

(57) **CLAIM**

The ornamental design for a top plate with a cover opening/  
closing mechanism, as shown and described.

**DESCRIPTION**

FIG. 1 is a perspective view 1 of a top plate with a cover  
opening/closing mechanism showing our new design;

FIG. 2 is a perspective view 2 thereof;

FIG. 3 is a front view thereof;

FIG. 4 is a rear view thereof;

FIG. 5 is a top view thereof;

FIG. 6 is a bottom view thereof;

FIG. 7 is a left side view thereof;

FIG. 8 is a right side view thereof;

FIG. 9 is showing the perspective view of FIG. 1 with the  
cover removed;

FIG. 10 is another perspective view of FIG. 9;

FIG. 11 is a left side view of FIG. 9;

FIG. 12 is a right side view of FIG. 9;

FIG. 13 is a sectional view thereof taken along line 13-13 of  
FIG. 3;

FIG. 14 is a sectional view thereof taken along line 14-14 of  
FIG. 12;

FIG. 15 is a sectional view thereof taken along line 15-15 of  
FIG. 12;

FIG. 16 is a sectional view thereof taken along line 16-16 of  
FIG. 12;

FIG. 17 is a sectional view thereof taken along line 17-17 of  
FIG. 12;

FIG. 18 is a partially enlarged view of section 18-18 of FIG.  
14;

FIG. 19 is a partially enlarged view of section 19-19 of FIG.  
15;

FIG. 20 is a partially enlarged view of section 20-20 of FIG.  
16;

FIG. 21 is a partially enlarged view of section 21-21 of FIG.  
17;

FIG. 22 is showing the perspective view of FIG. 1 in a first  
alternate position;

FIG. 23 is showing the perspective view of FIG. 1 in a  
second alternate position;

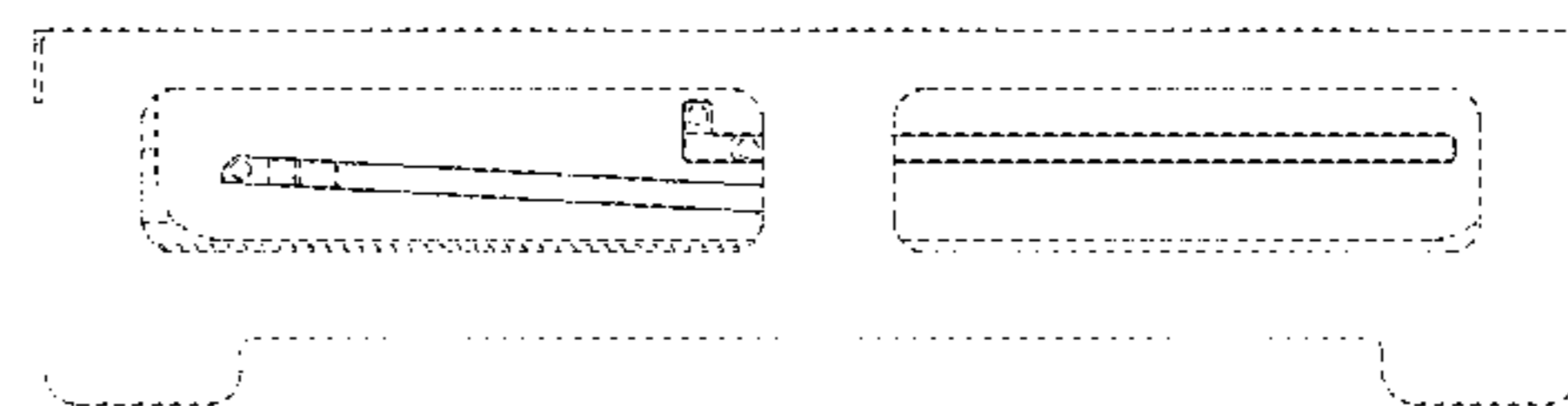
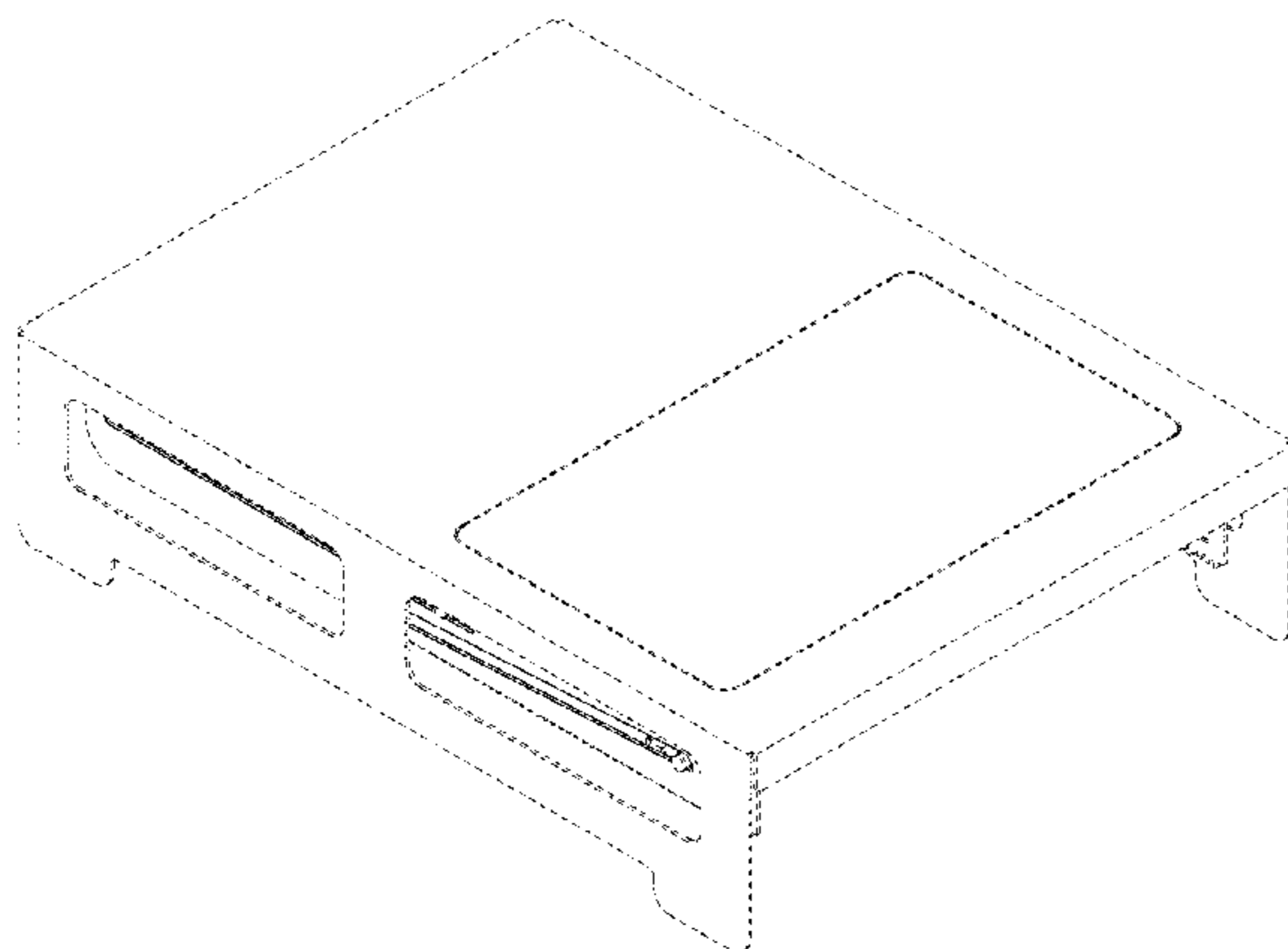
FIG. 24 is showing the perspective view of FIG. 1 in a third  
alternate position;

FIG. 25 is showing the perspective view of FIG. 9 in a first  
alternate position;

FIG. 26 is showing the perspective view of FIG. 9 in a  
second alternate position; and,

FIG. 27 is showing the perspective view of FIG. 9 in a third  
alternate position.

(Continued)



The broken lines shown in drawings represent unclaimed portions of the top plate with a cover opening/closing mechanism and form no parts of the claimed design.

1 Claim, 22 Drawing Sheets

(58) Field of Classification Search

CPC ..... H04L 63/08; H04L 63/083; H04L 63/102; H04L 67/1097; H04L 67/42; H04L 12/1822; H04L 12/2816; H04L 12/40169; H04L 1/0016; H04L 2025/03624; H04L 2463/121; H04L 25/03006; H04L 27/06; H04L 27/22; H04L 41/0654; H04L 41/082; H04L 41/12; H04L 41/14; H04L 41/145; H04L 41/5061; H04L 43/028; H04L 43/062; H04L 43/08; H04L 43/0876; H04L 45/44; H04L 47/125; H04L 51/046; H04L 51/14; H04L 51/24; H04L 51/32; H04L 63/0807; H04L 63/0815; H04L 63/0861; H04L 63/10; H04L 63/108; H04L 63/123; H04L 63/1425; H04L 63/1433; H04L 63/1441; H04L 63/145; H04L 63/1466; H04L

(56)

63/1483; H04L 63/1491; H04L 65/4015; H04L 65/403; H04L 65/4069; H04L 65/4076; H04L 65/60; H04L 67/10; H04L 67/1095; H04L 67/12; H04L 67/16; H04L 67/22; H04L 67/303; H04L 67/306; H04L 67/36; H04L 69/28; H04L 9/0643; H04L 9/083; H04L 9/0866; H04L 9/088; H04L 9/3239; H04Q 2209/60; H04Q 9/00

See application file for complete search history.

References Cited

U.S. PATENT DOCUMENTS

6,094,342	A *	7/2000	Dague .....	G06F 1/184 312/333
D466,507	S *	12/2002	Nakamura .....	D14/363
6,545,865	B2 *	4/2003	Albrecht .....	G06F 1/184 248/634
6,798,650	B2 *	9/2004	Reznikov .....	G11B 33/122 312/223.1
D534,911	S *	1/2007	Hisatsune .....	D14/366
D598,450	S *	8/2009	Onoda .....	D14/363
D608,780	S *	1/2010	Takeda .....	D14/368
D635,132	S *	3/2011	Li .....	D14/315
D736,769	S *	8/2015	Chou .....	D14/367

\* cited by examiner

Fig. 1

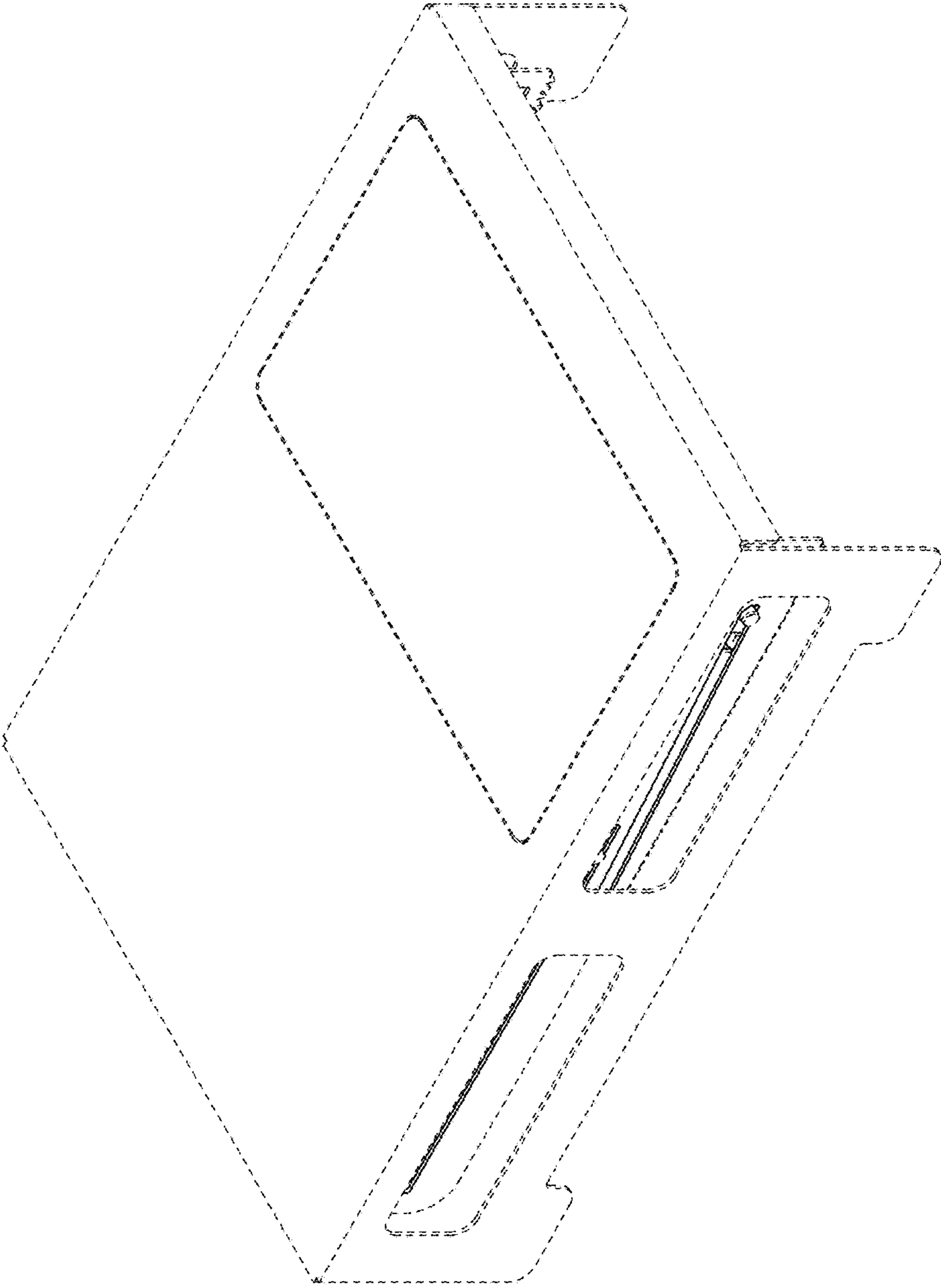


Fig. 2

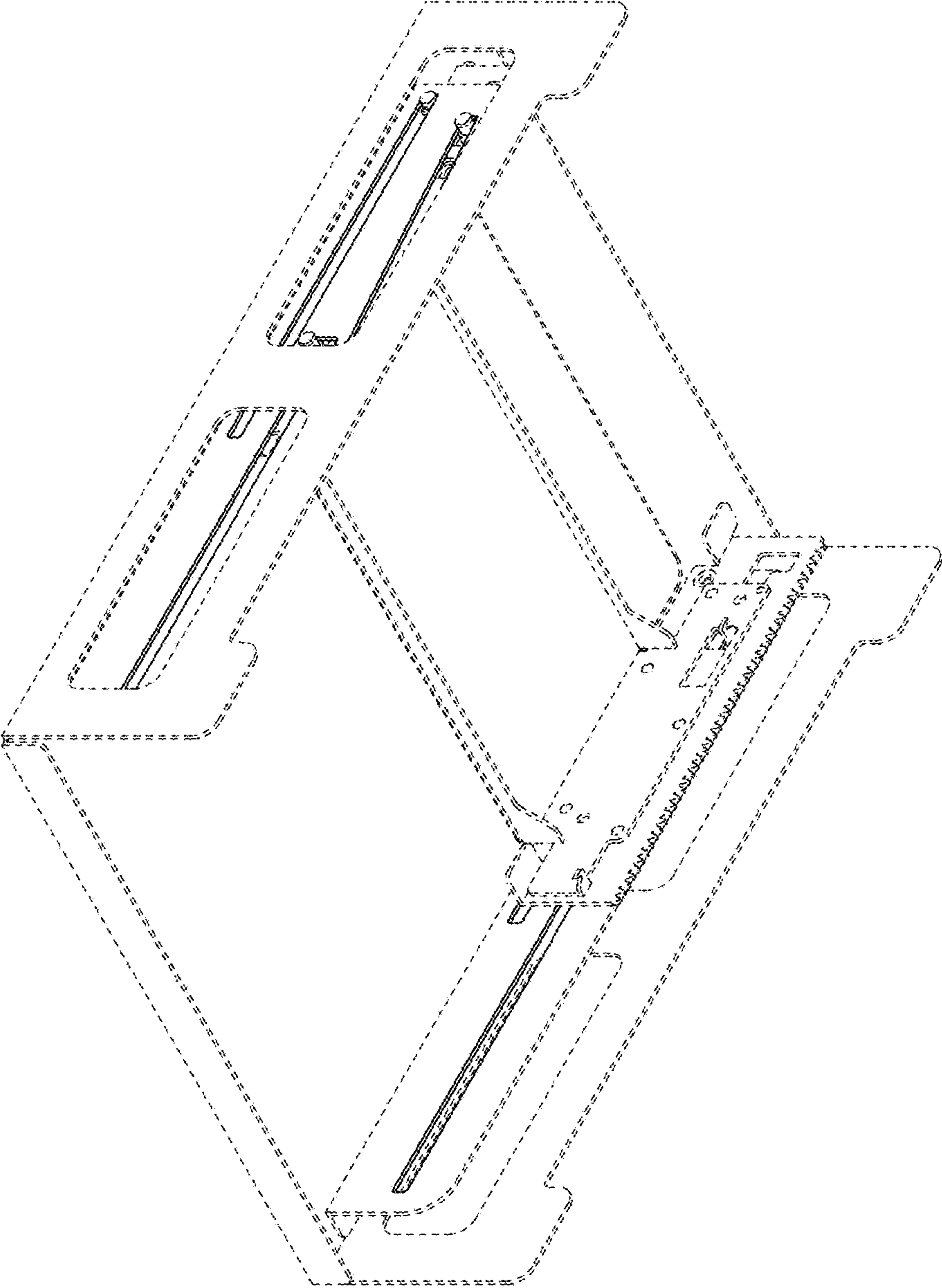


Fig. 3

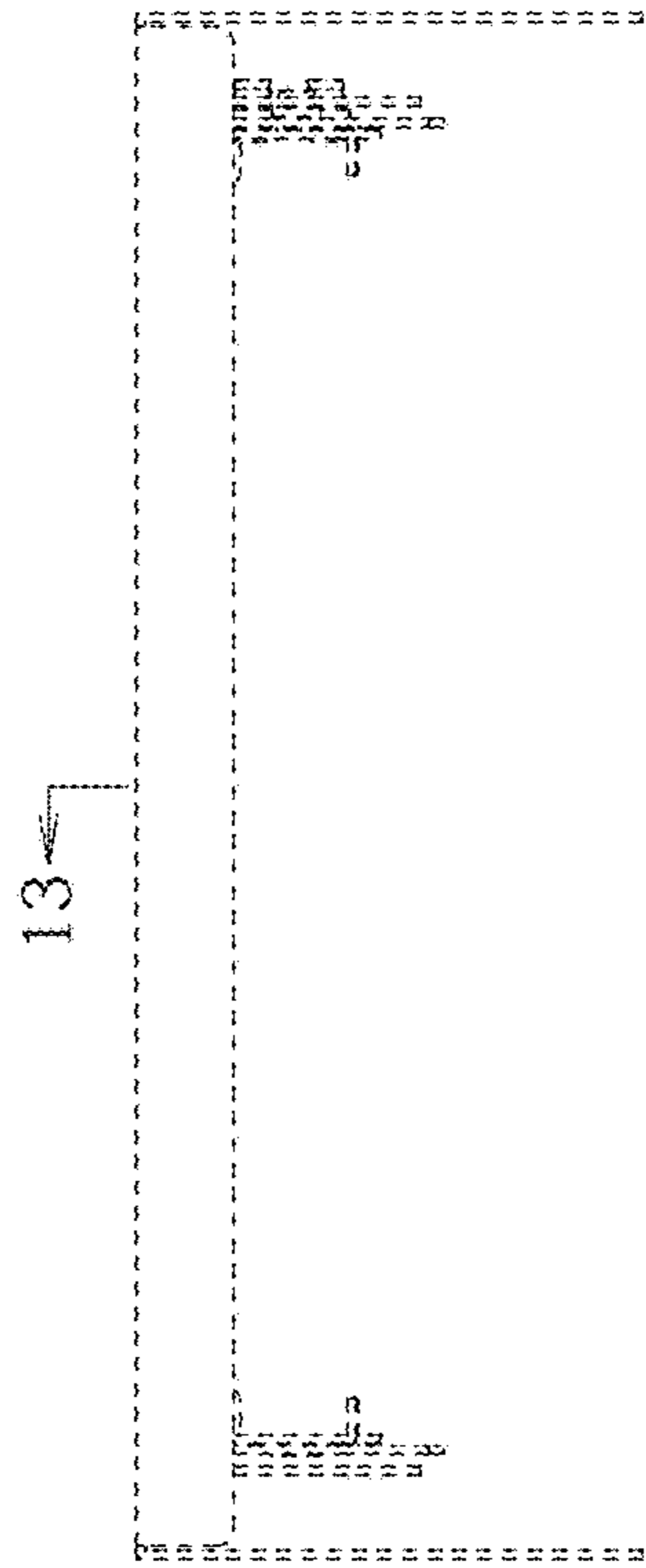


Fig. 4

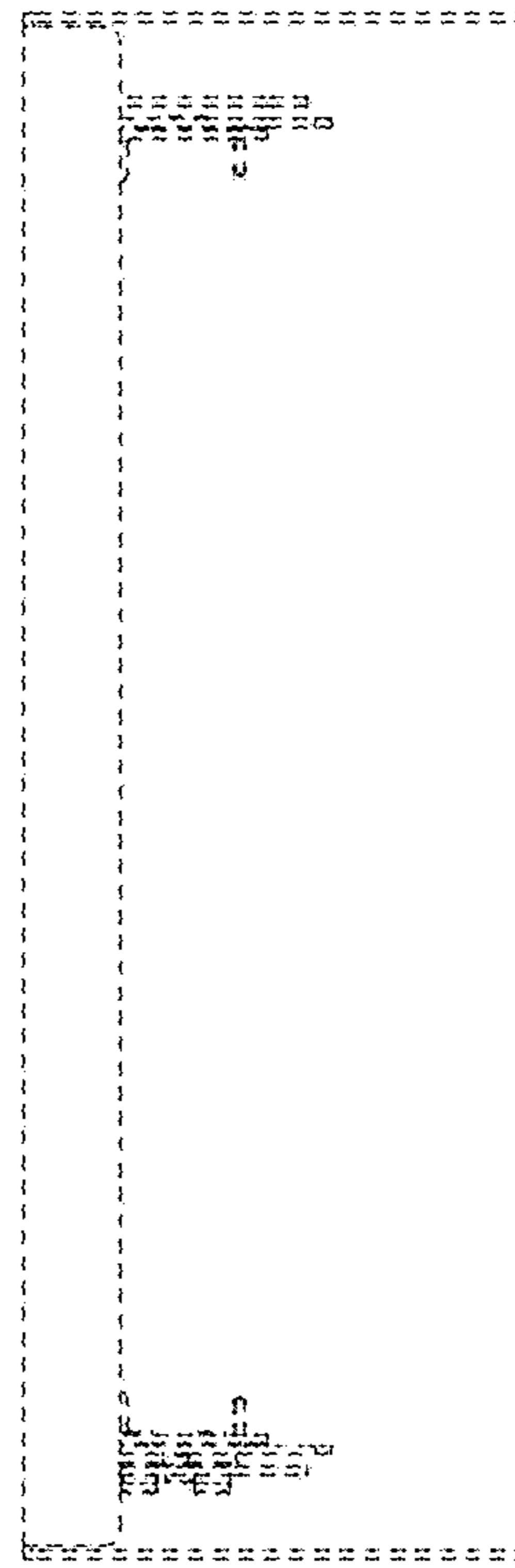


Fig. 5

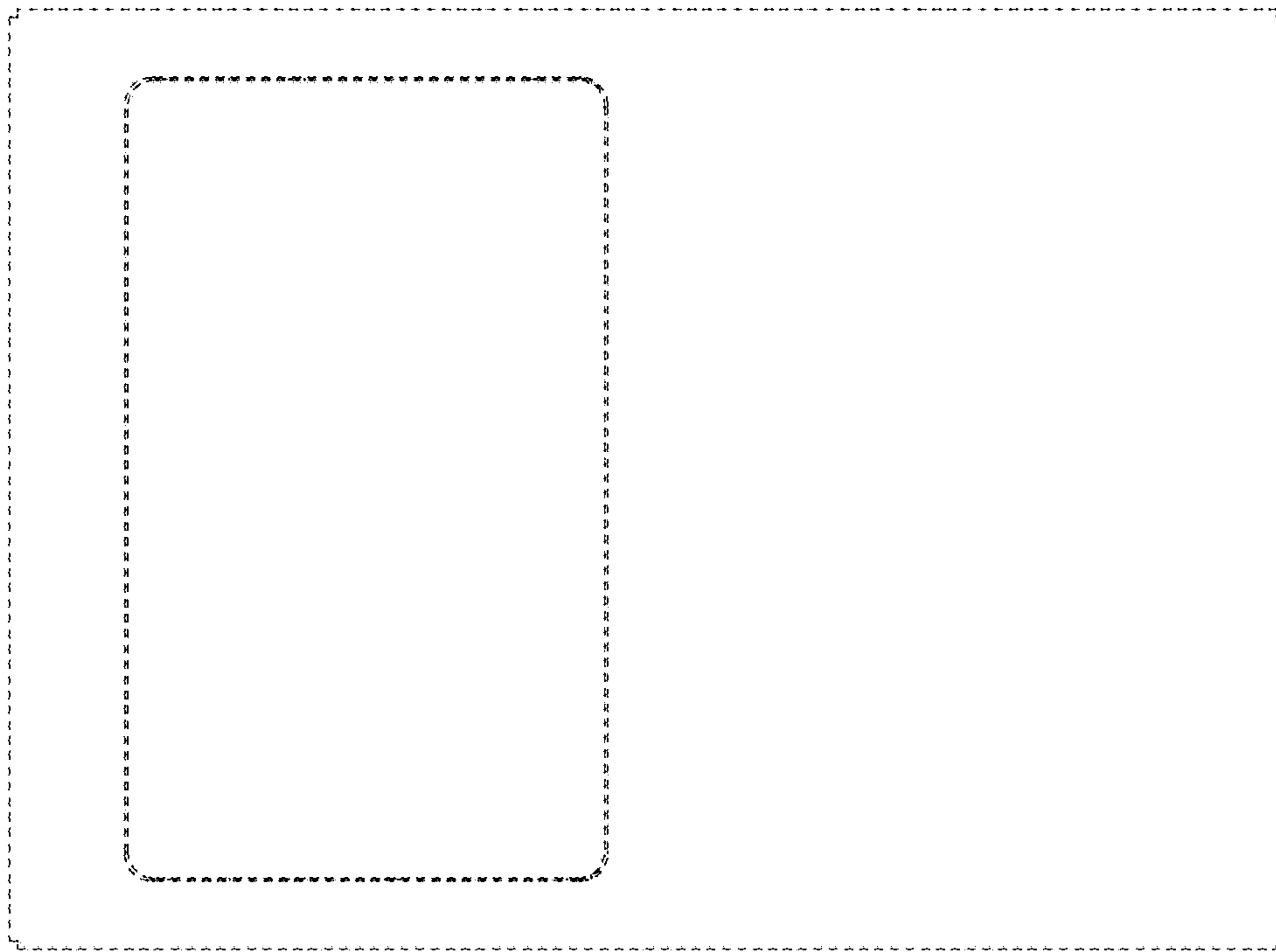


Fig. 6

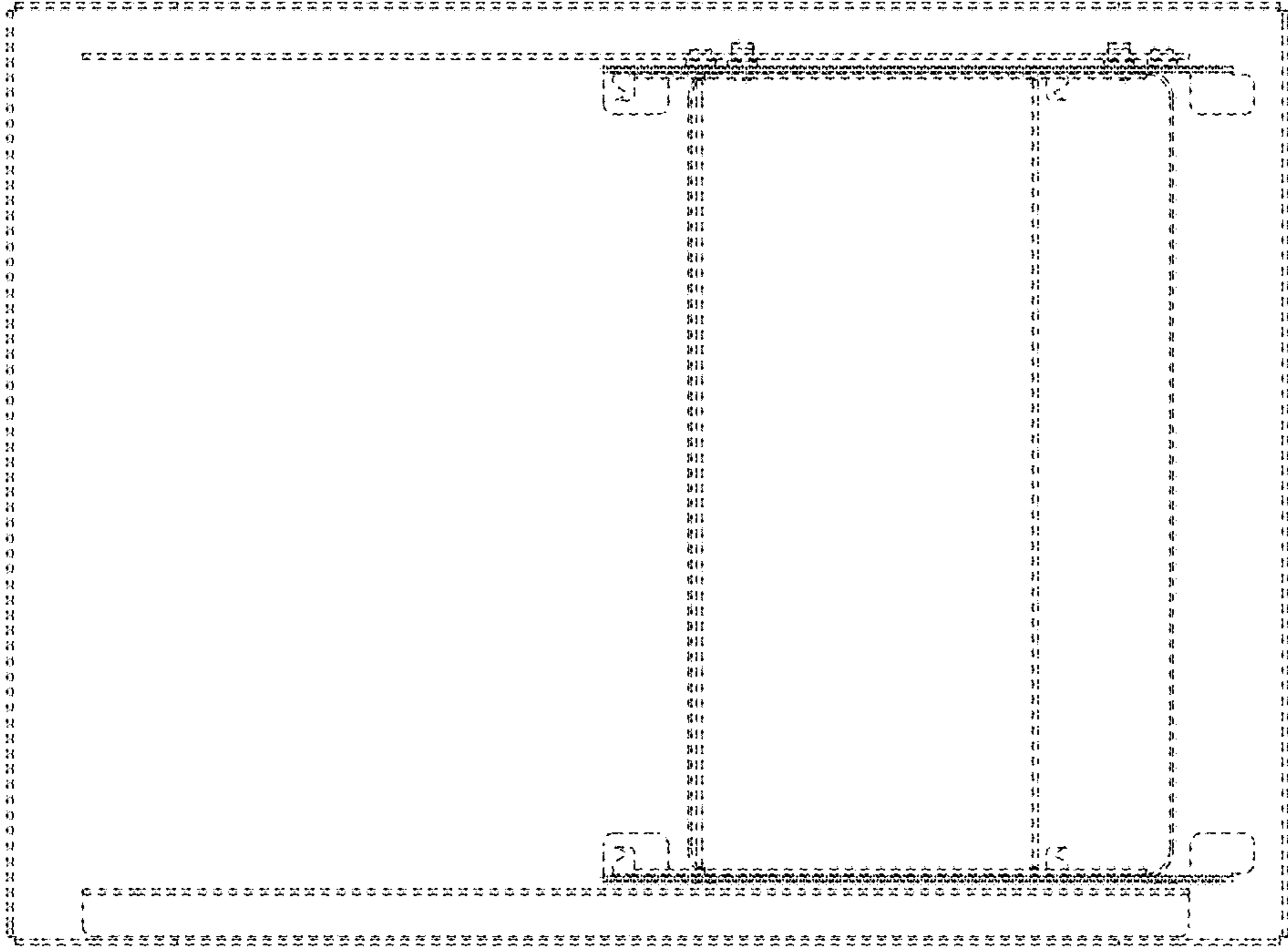


Fig. 7

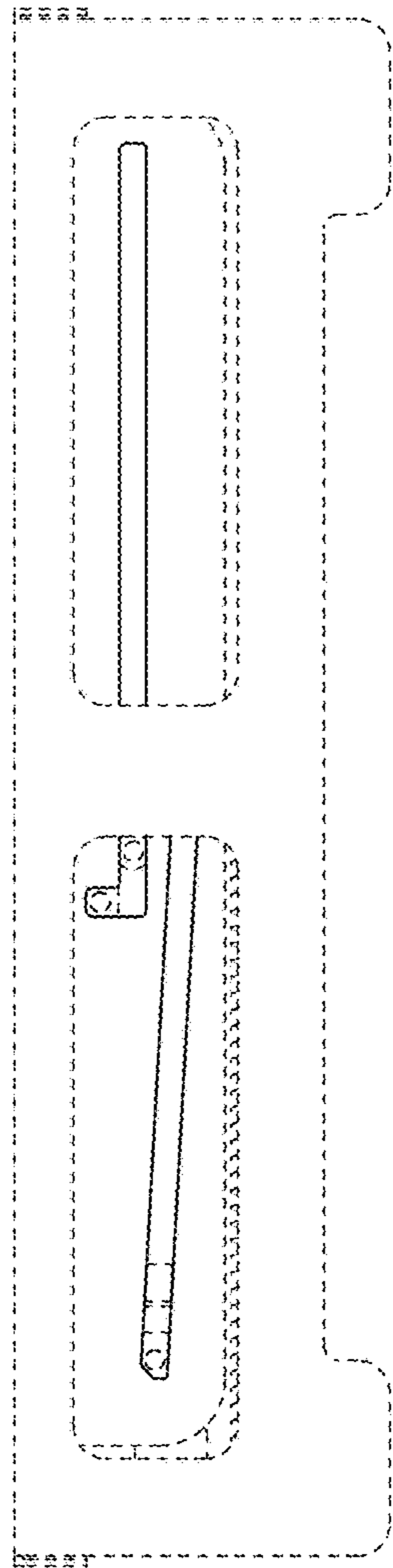


Fig. 8

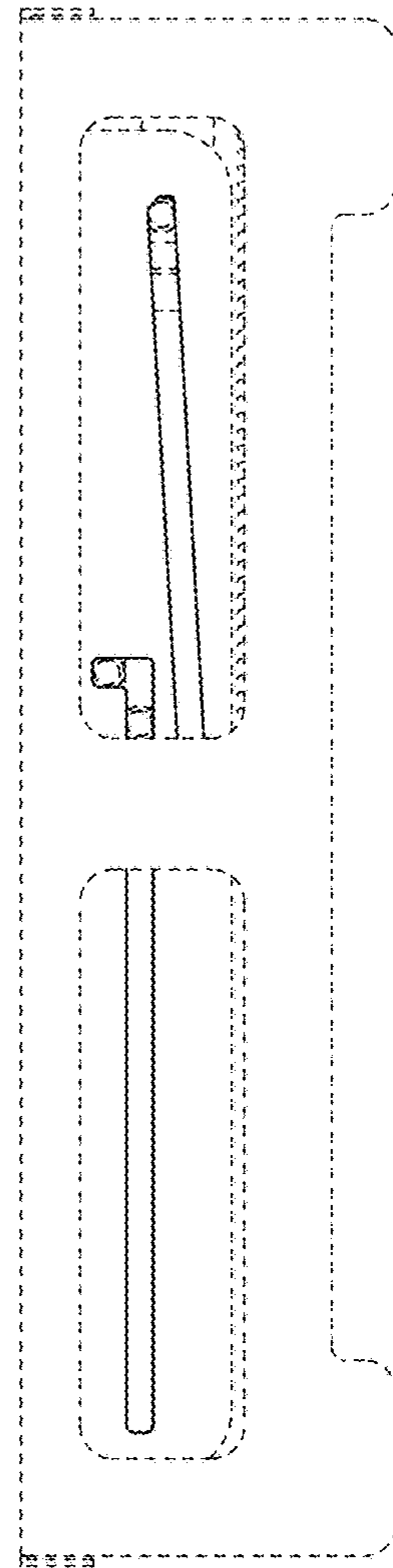




Fig. 9

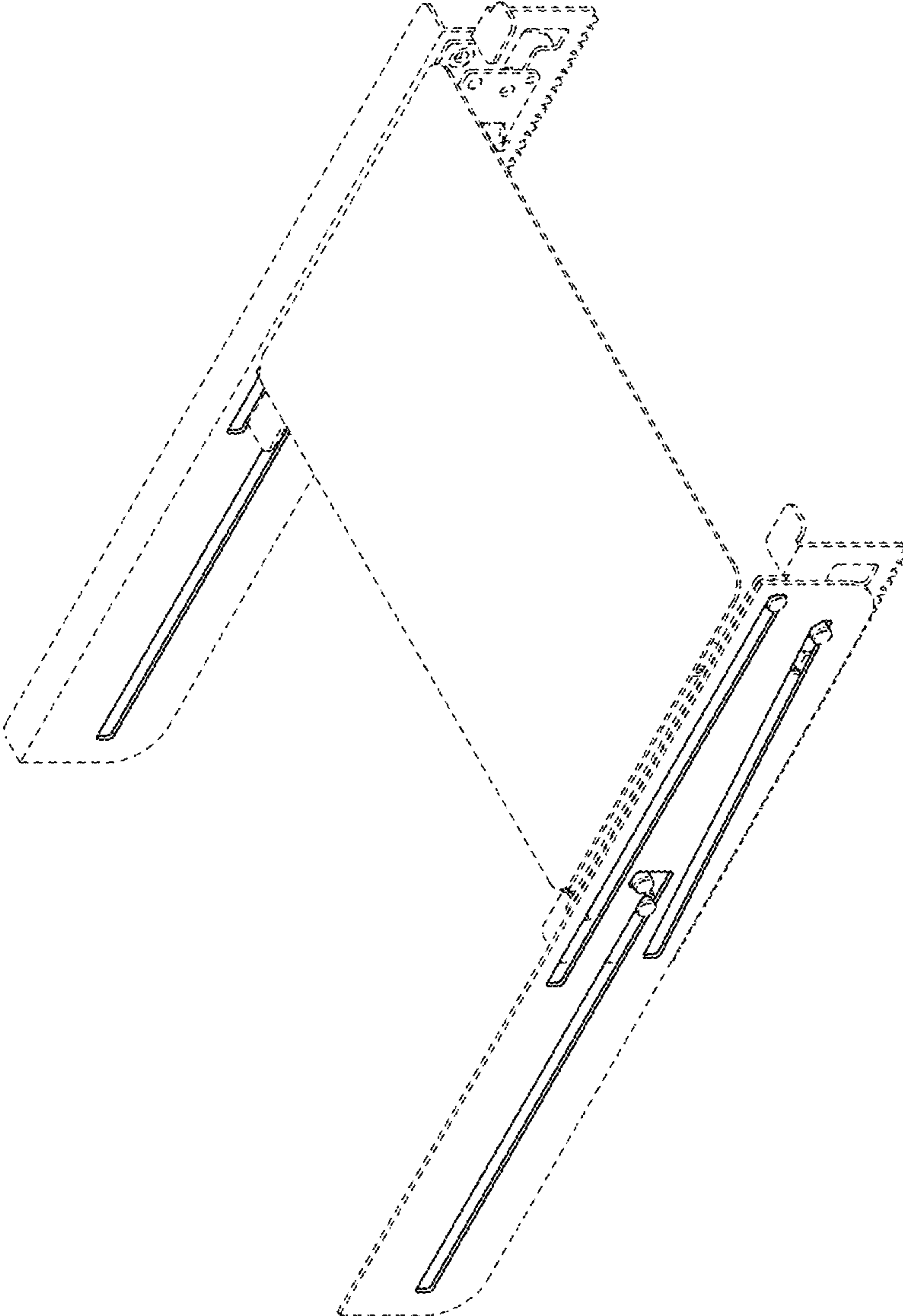


Fig. 10

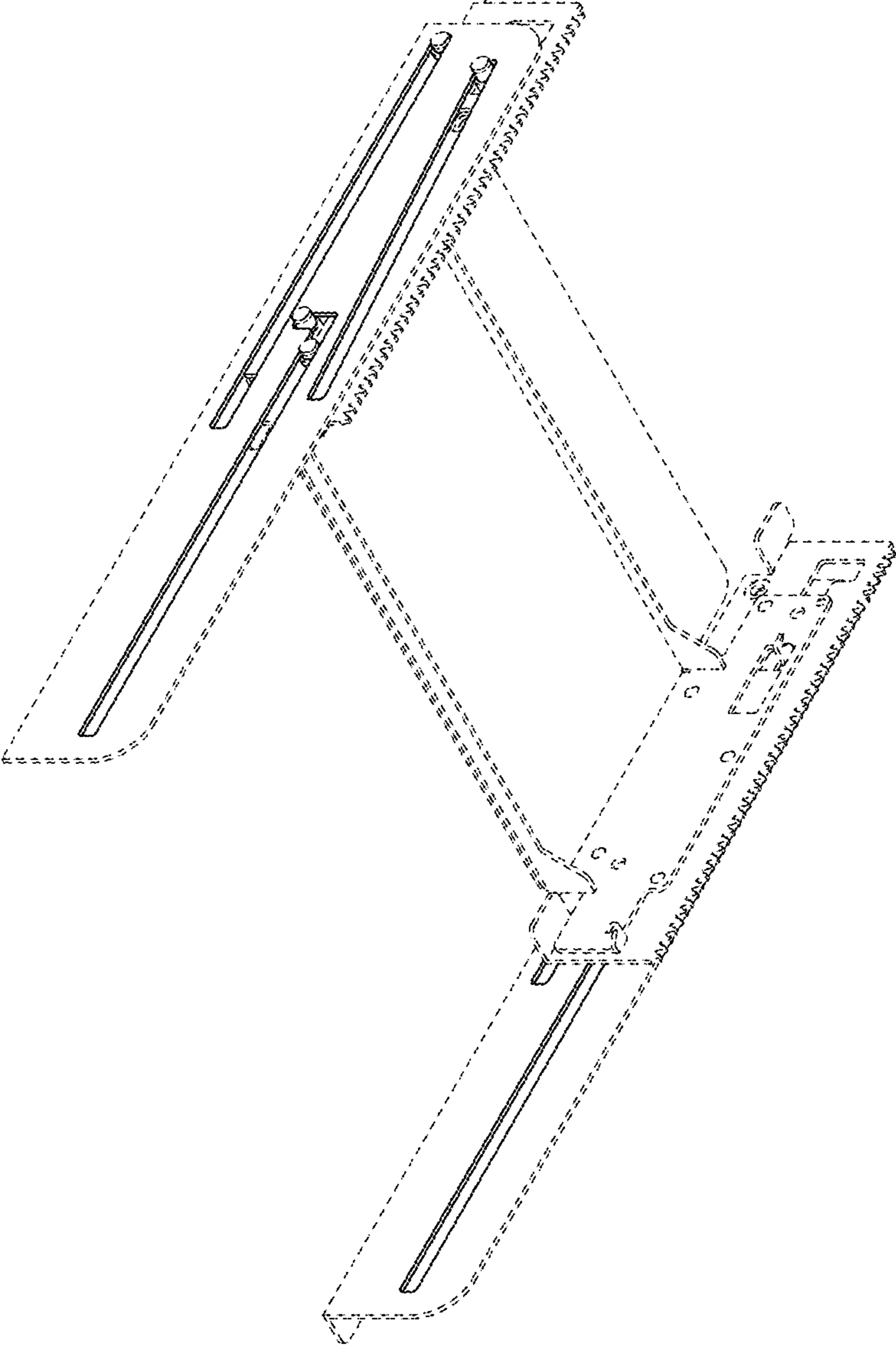


Fig. 12

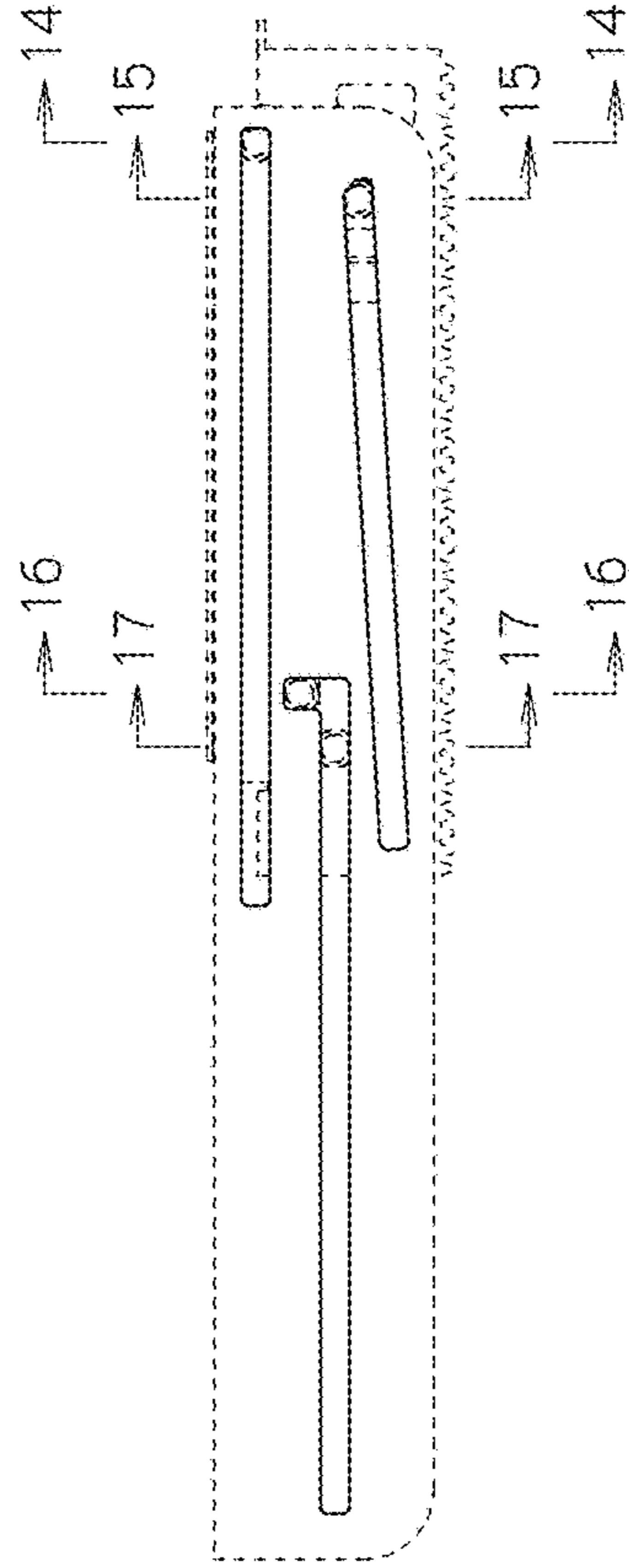


Fig. 11

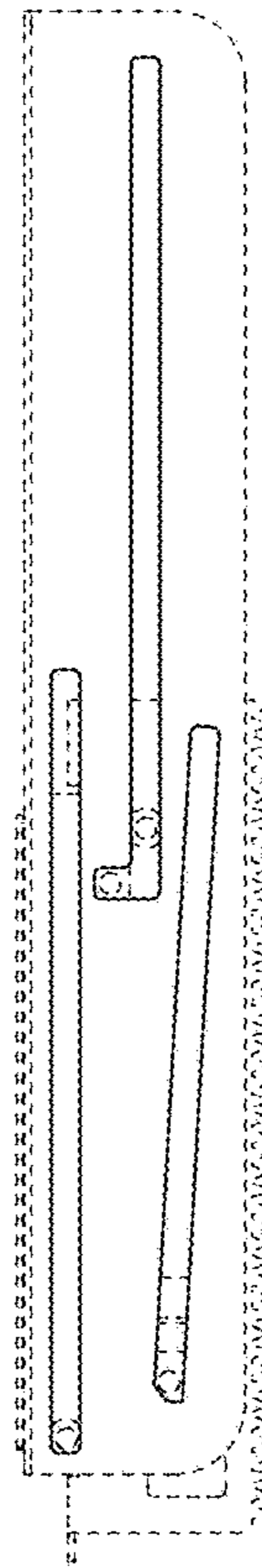


Fig. 13

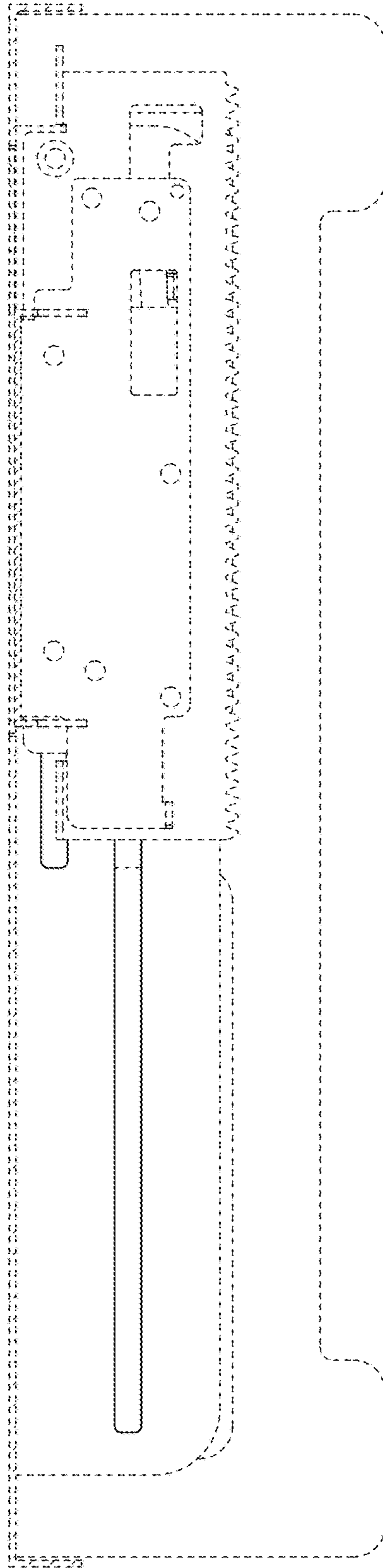


Fig. 14

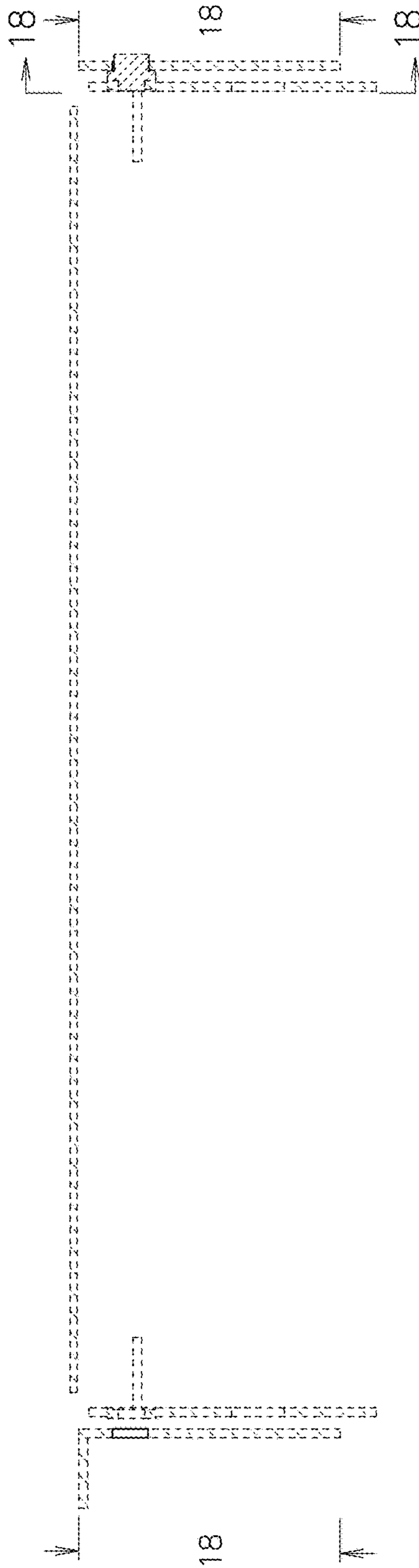


Fig. 15

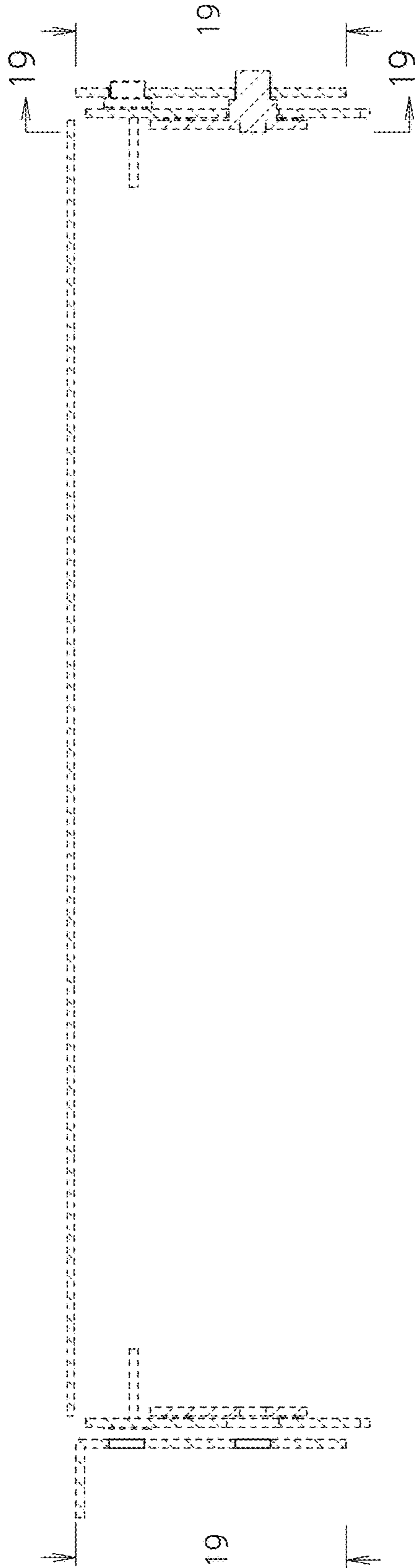


Fig. 16

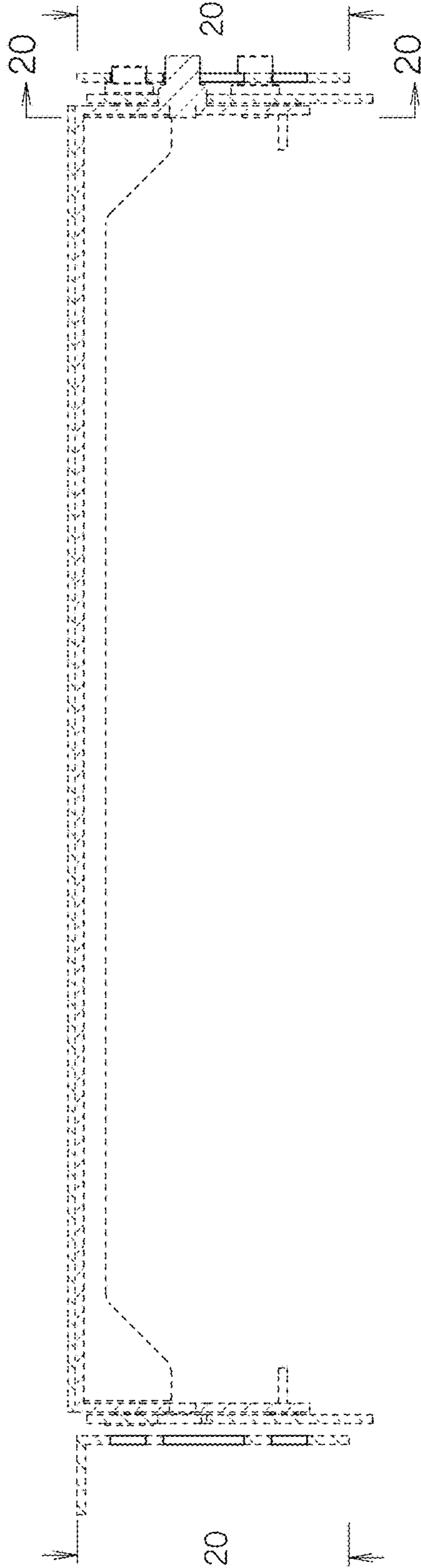
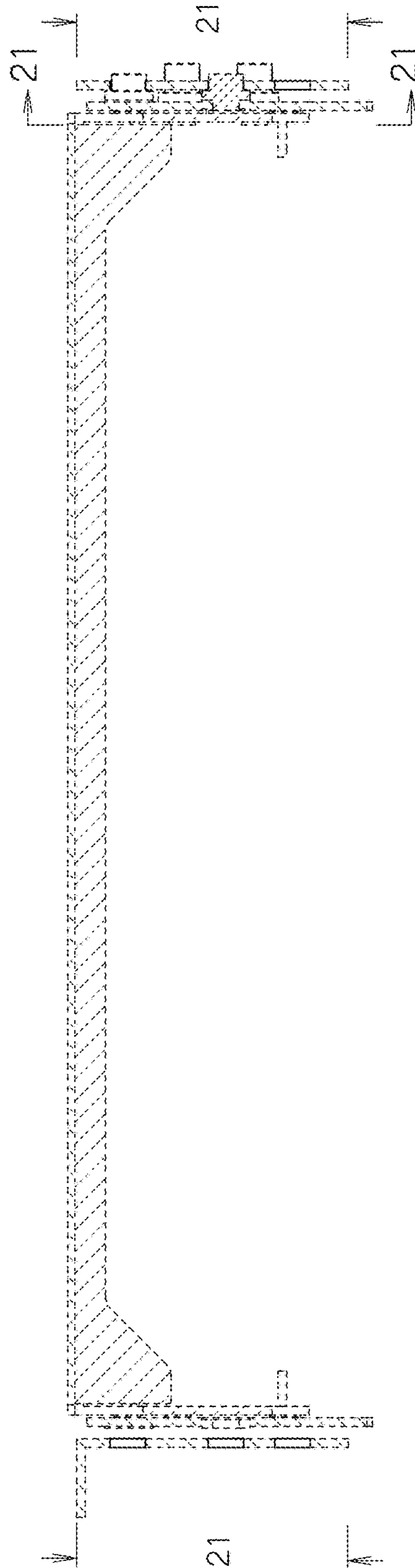


Fig. 17





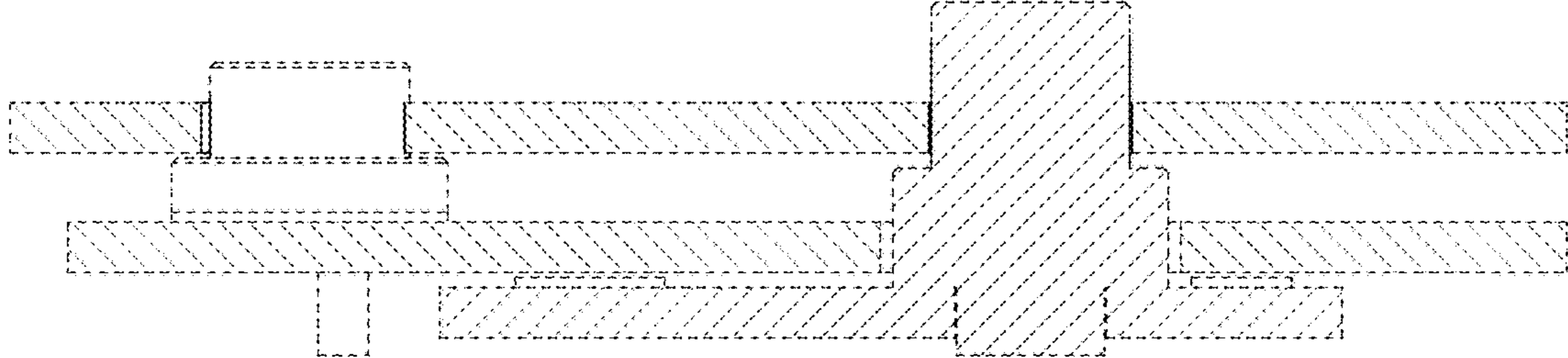


Fig. 19

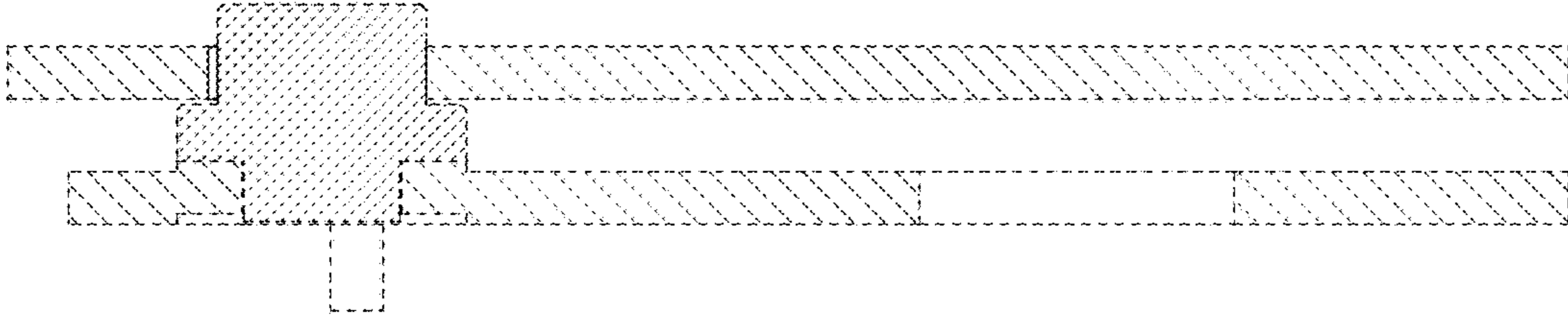


Fig. 18

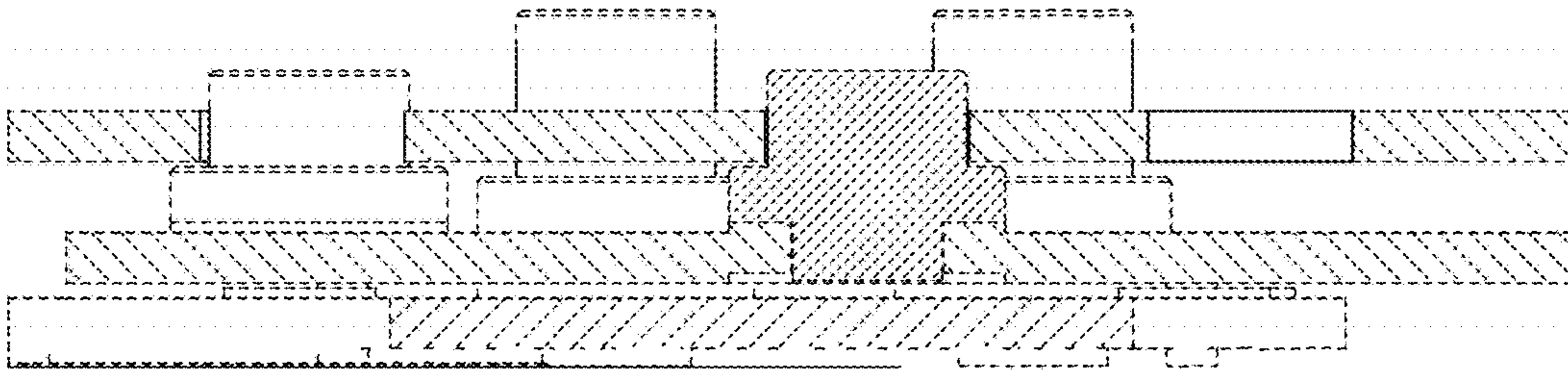


Fig. 21

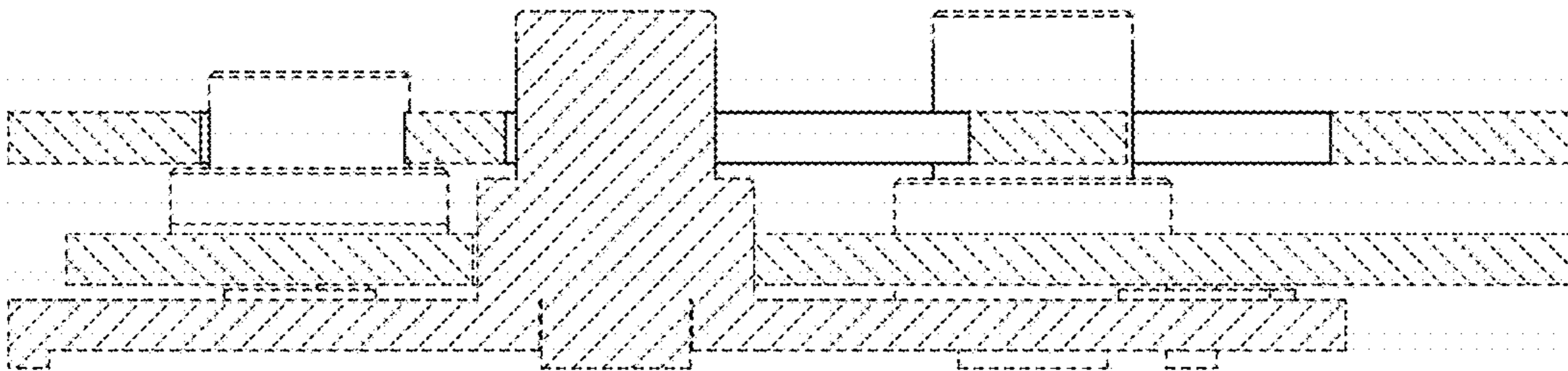


Fig. 20

Fig. 22

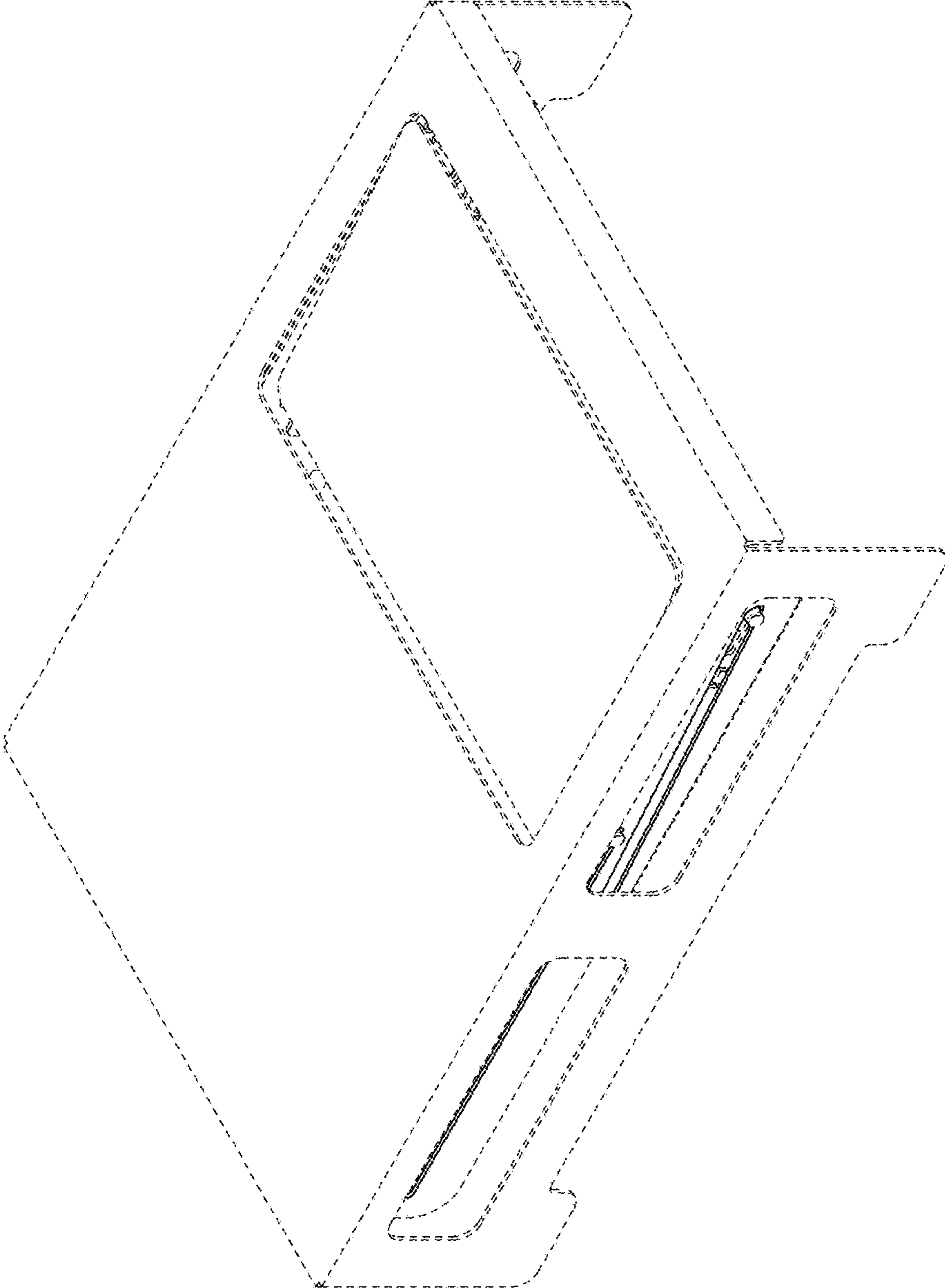


Fig. 23

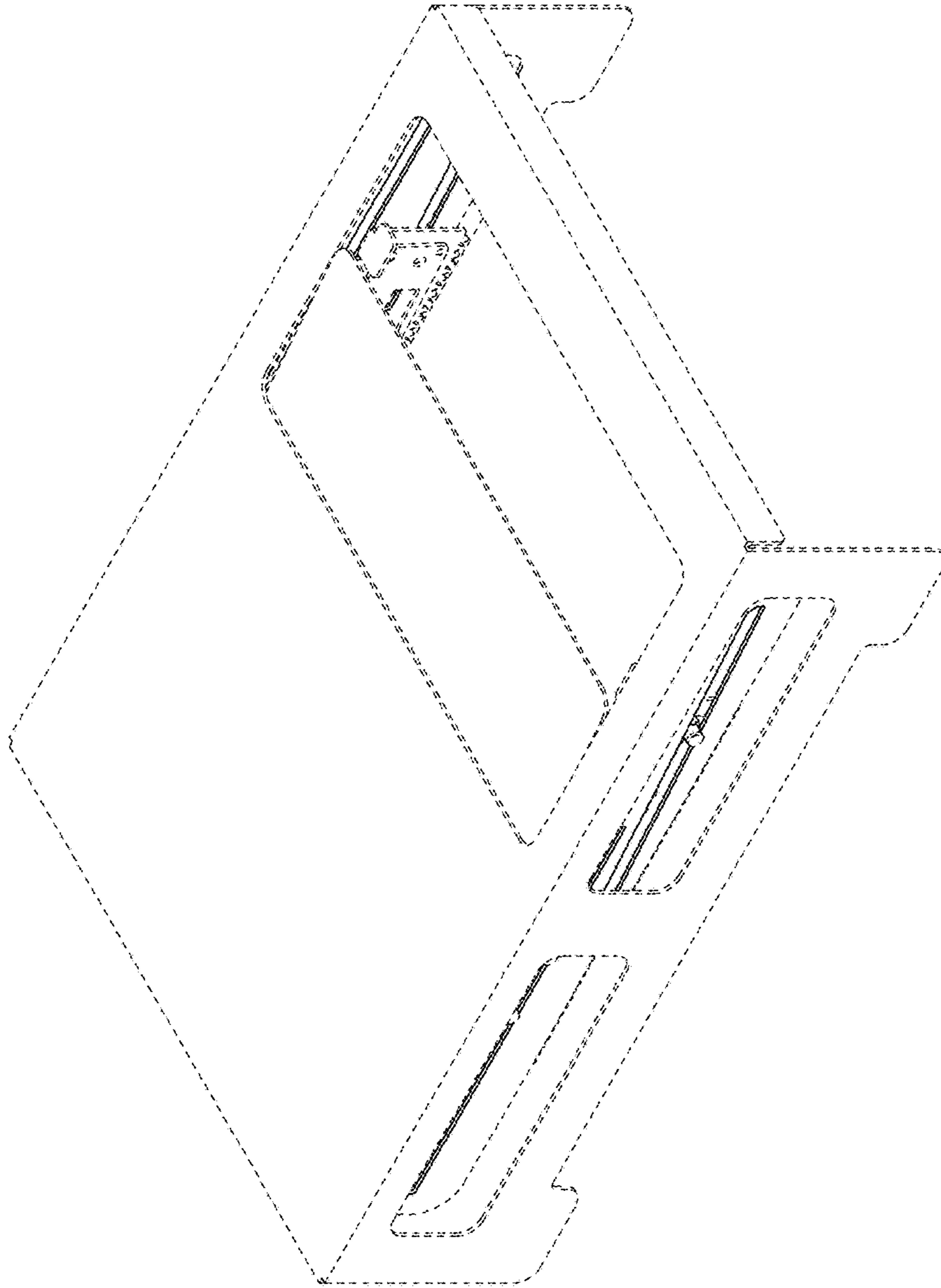


Fig. 24

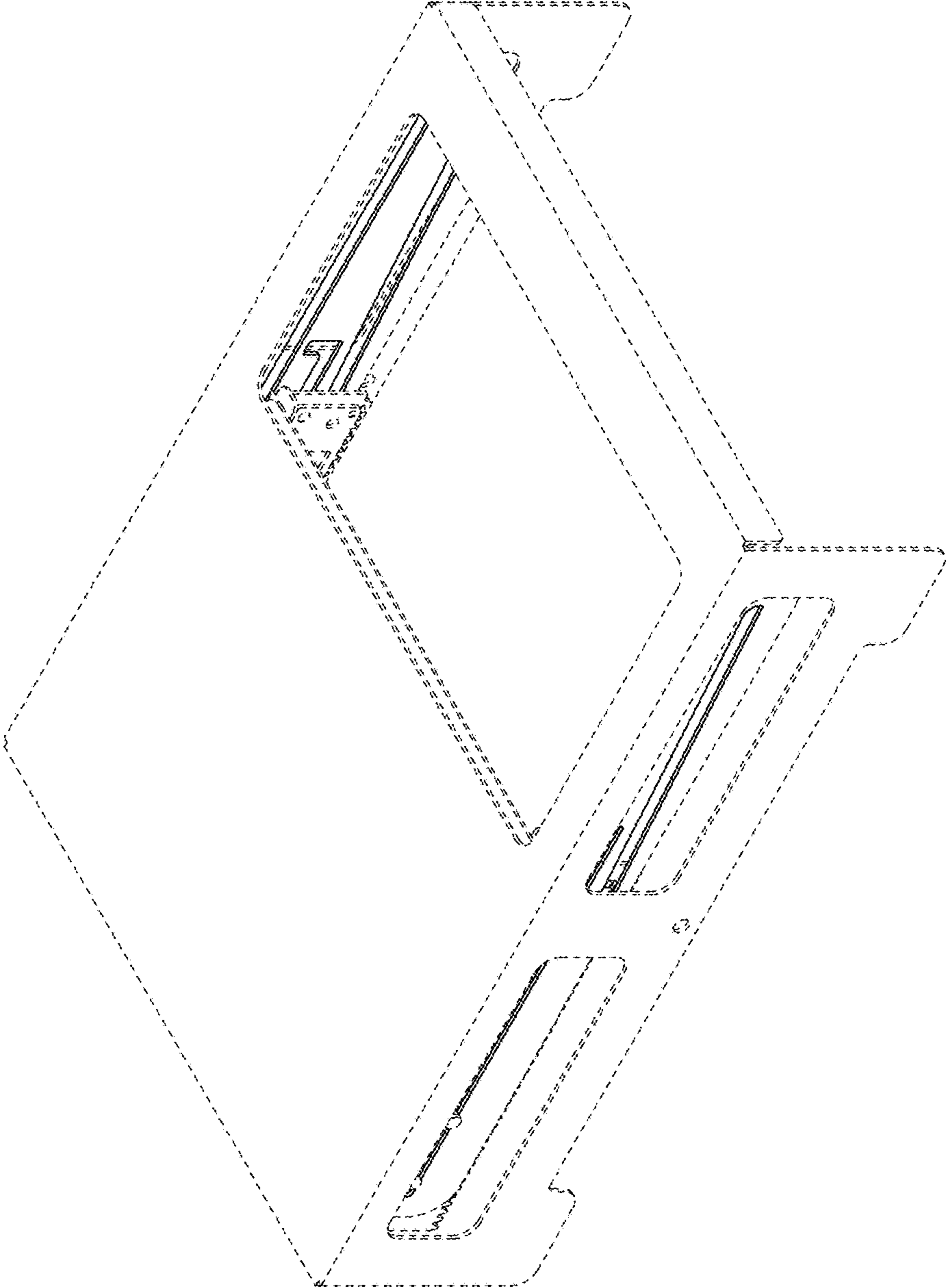


Fig. 25

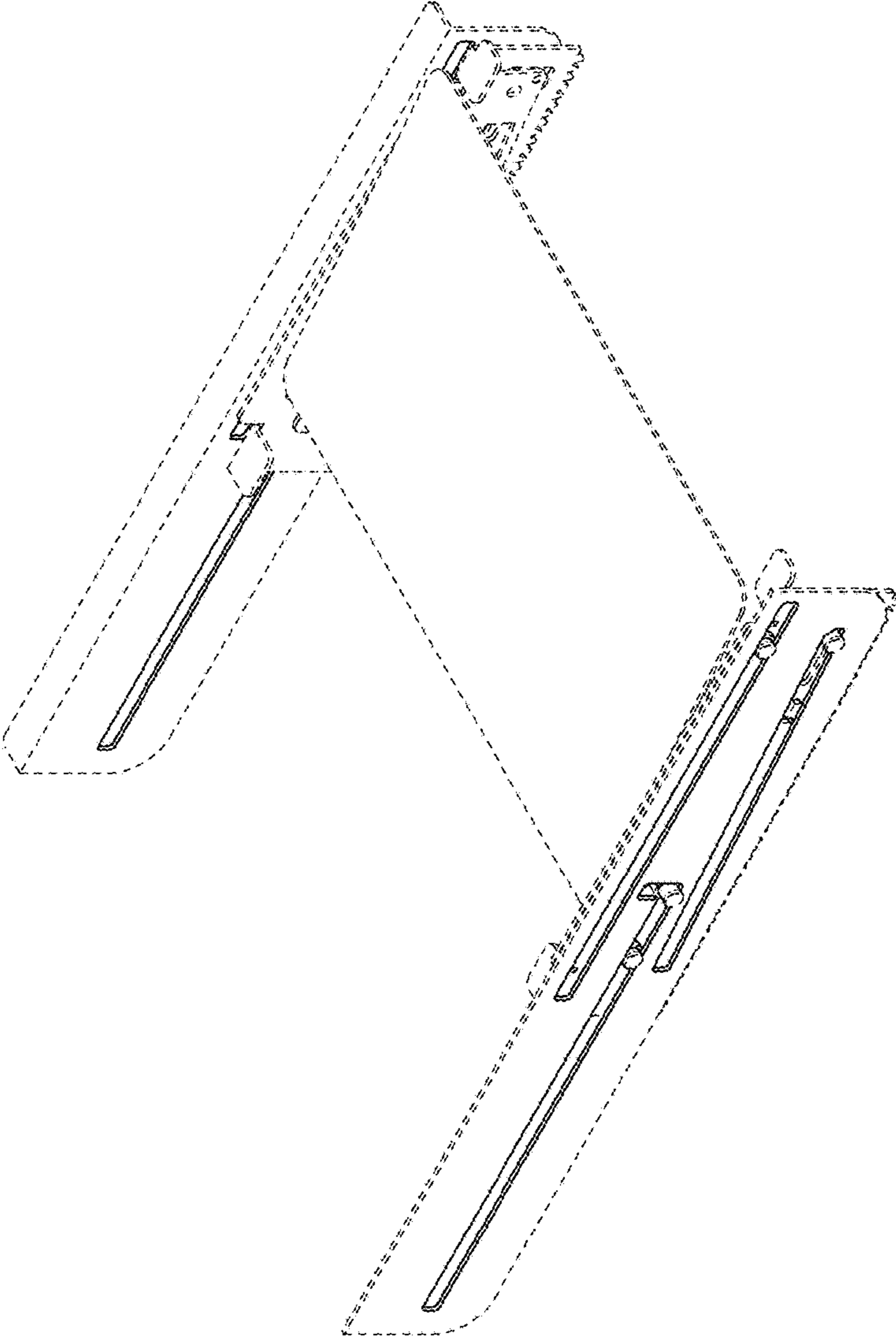


Fig. 26

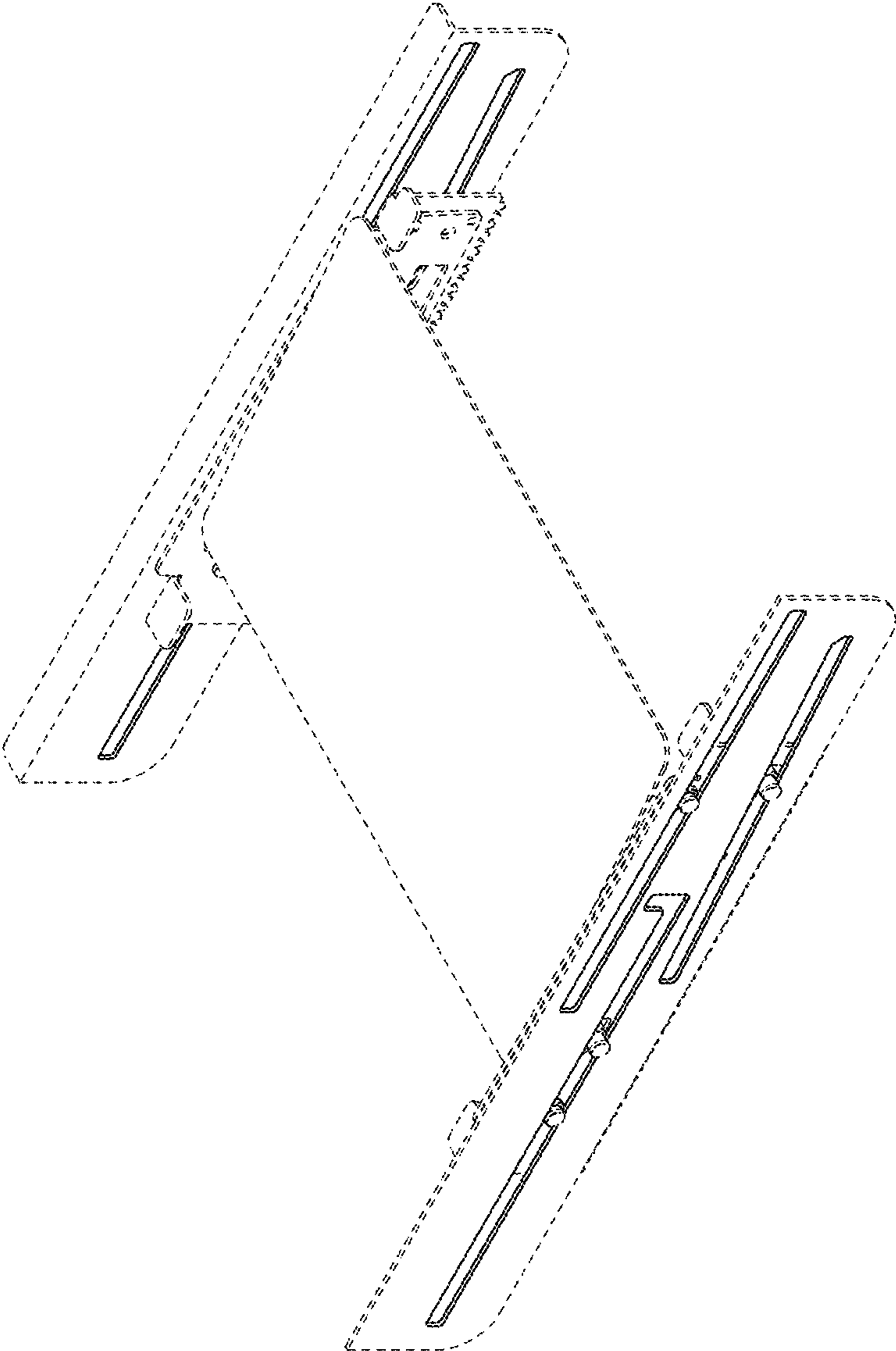


Fig. 27

