



US00D831611S

(12) **United States Design Patent**
Kim et al.

(10) **Patent No.:** **US D831,611 S**

(45) **Date of Patent:** **** Oct. 23, 2018**

(54) **WIRELESS HEADSET COMMUNICATION DEVICE**

H04R 1/105; H04R 1/1083; H04R 1/02;
H04R 2420/07; H04R 2430/00

See application file for complete search history.

(71) Applicant: **LG ELECTRONICS INC.**, Seoul
(KR)

(56) **References Cited**

U.S. PATENT DOCUMENTS

(72) Inventors: **Dongsoon Kim**, Seoul (KR); **Chanwoo Park**, Seoul (KR); **Sunmin Lee**, Seoul (KR)

D351,597	S	*	10/1994	Nakamura	D14/205
D557,685	S	*	12/2007	Lee	D14/205
D716,759	S	*	11/2014	Ha	D14/205
D766,869	S	*	9/2016	Lee	D14/205
D768,600	S	*	10/2016	Chen	D14/205
D771,588	S	*	11/2016	Choe	D14/205
D776,636	S	*	1/2017	Lim	D14/205
D800,089	S	*	10/2017	Park	D14/205
D802,558	S	*	11/2017	Kim	D14/205
D803,186	S	*	11/2017	Park	D14/205
D815,068	S	*	4/2018	Huang	D14/223
D820,811	S	*	6/2018	Kim	D14/205
D824,363	S	*	7/2018	Oh	D14/206
D824,364	S	*	7/2018	Kim	D14/206
2017/0195768	A1	*	7/2017	Kim	H04B 1/034
2018/0063620	A1	*	3/2018	Kim	H04R 1/1025

(73) Assignee: **LG ELECTRONICS INC.**, Seoul
(KR)

(**) Term: **15 Years**

(21) Appl. No.: **35/504,070**

(22) Filed: **Jun. 7, 2017**

(80) **Hague Agreement Data**

Int. Filing Date: **Jun. 7, 2017**

Int. Reg. No.: **DM/096892**

Int. Reg. Date: **Jun. 7, 2017**

Int. Reg. Pub. Date: **Dec. 8, 2017**

FOREIGN PATENT DOCUMENTS

CN 304437718 * 1/2018

* cited by examiner

Primary Examiner — Barbara Fox

Assistant Examiner — Dana K Weiland

(74) *Attorney, Agent, or Firm* — Birch, Stewart, Kolasch & Birch, LLP

(30) **Foreign Application Priority Data**

Dec. 16, 2016 (KR) 30-2016-0061457

(51) **LOC (11) Cl.** **14-01**

(52) **U.S. Cl.**
USPC **D14/205**

(58) **Field of Classification Search**

USPC D14/204, 205, 206, 223, 224, 225, 249,
D14/372, 433, 138 R, 188, 192, 172,
D14/203.1, 191, 496; D29/112; D28/41;
D2/875; D24/174, 173, 106; D23/223

CPC H04R 25/02; H04R 1/10; H04R 1/10016;

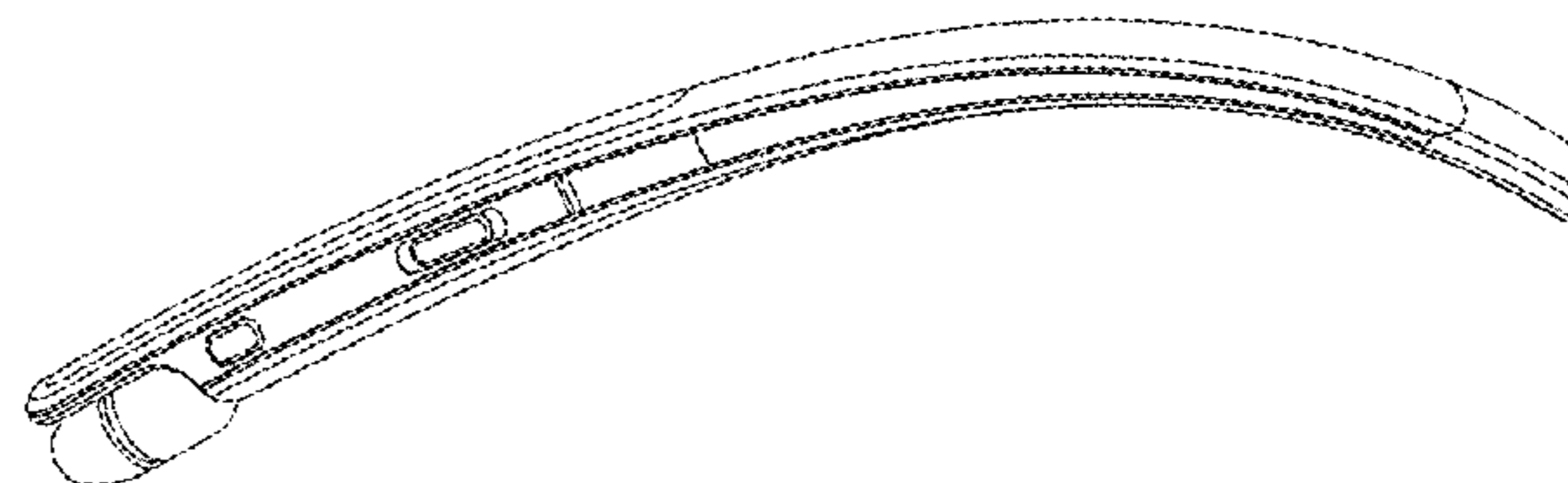
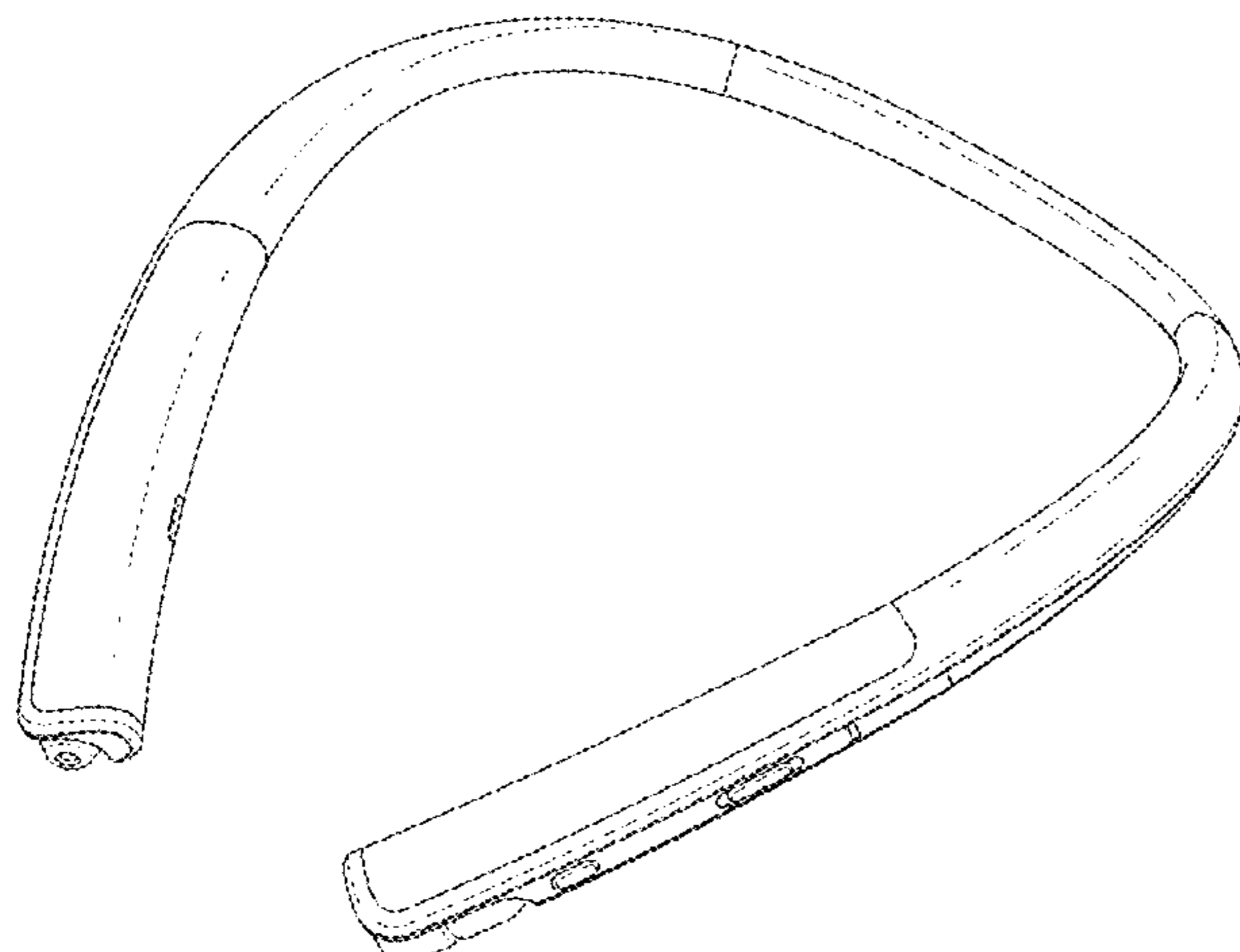
(57) **CLAIM**

The ornamental design for a wireless headset communication device, as shown and described.

DESCRIPTION

1. Wireless headset communication device
- 1.1 : Perspective
- 1.2 : Front
- 1.3 : Back
- 1.4 : Left
- 1.5 : Right

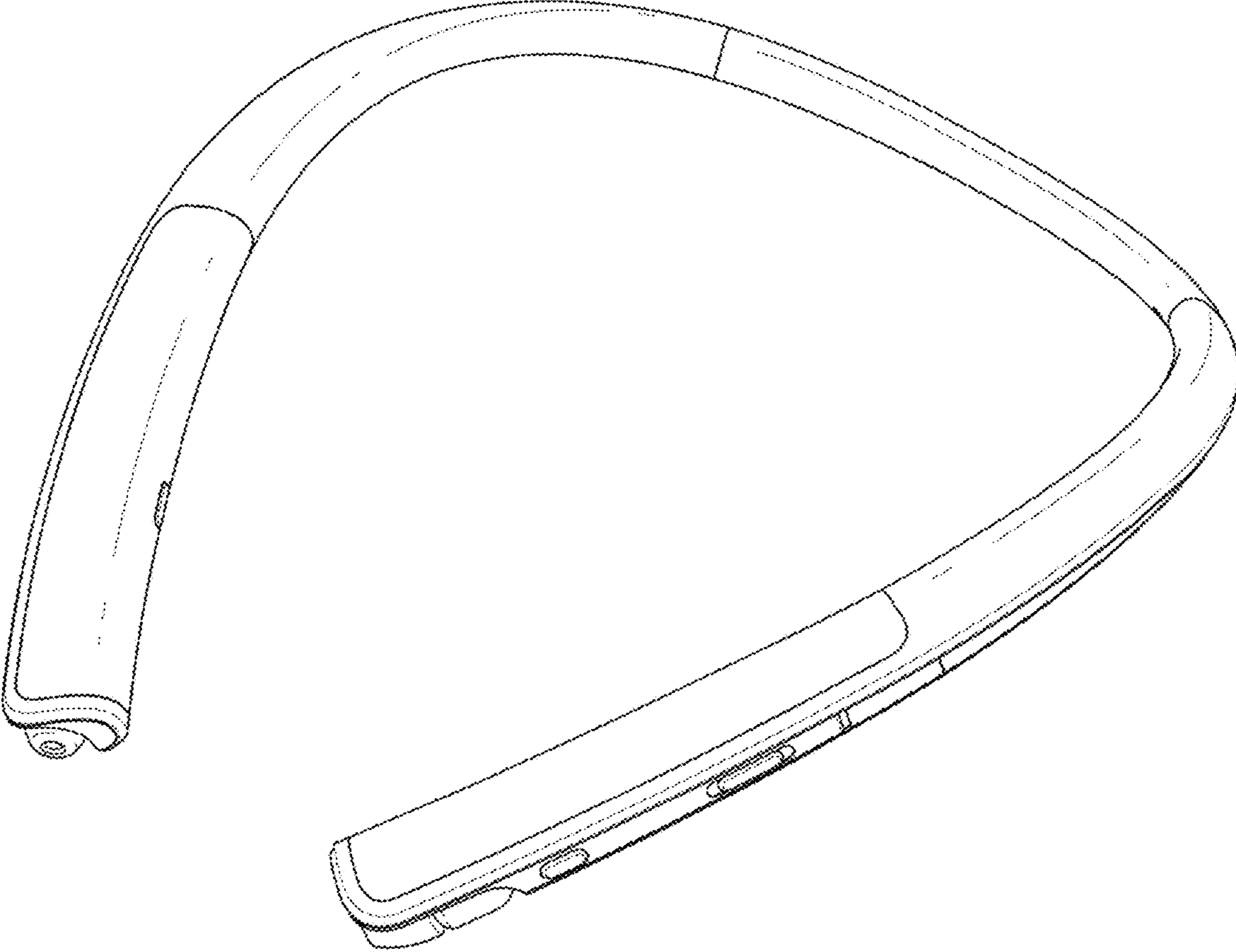
(Continued)



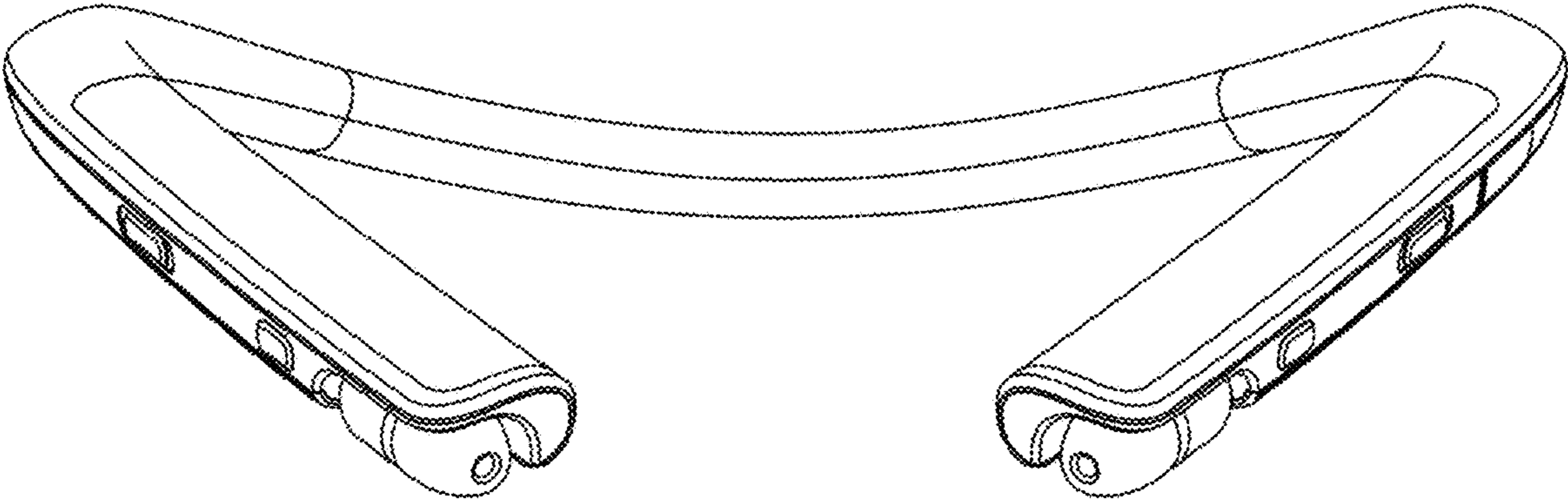
1.6 : Top
1.7 : Bottom

1 Claim, 7 Drawing Sheets

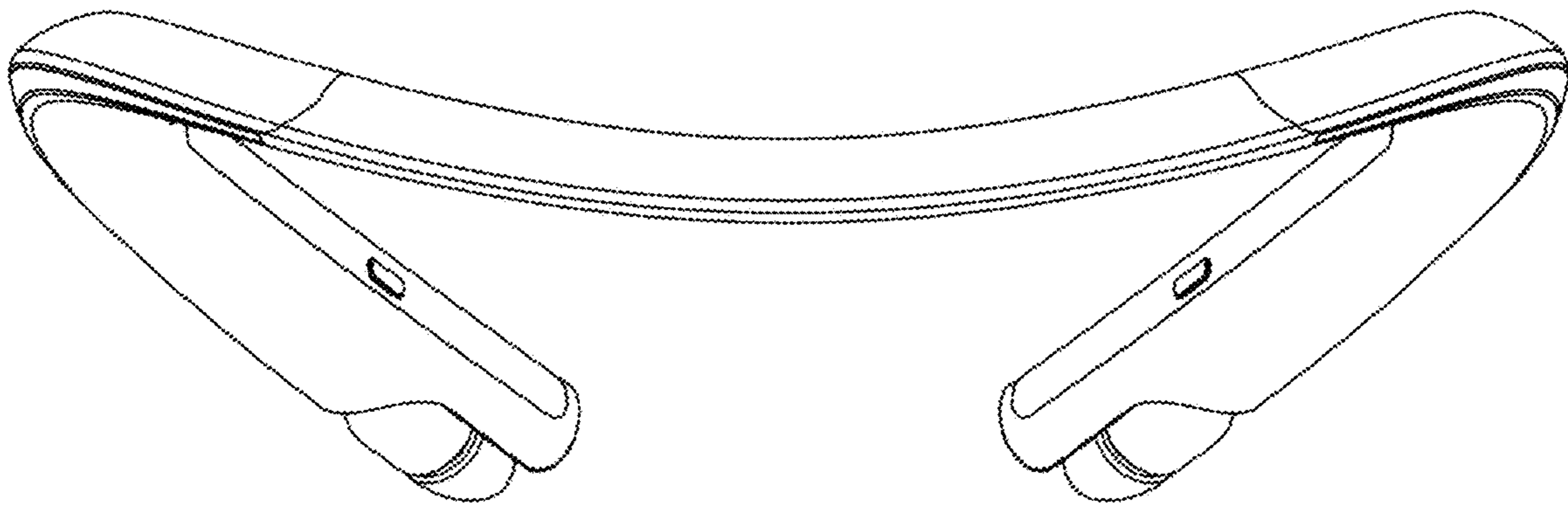
1.1



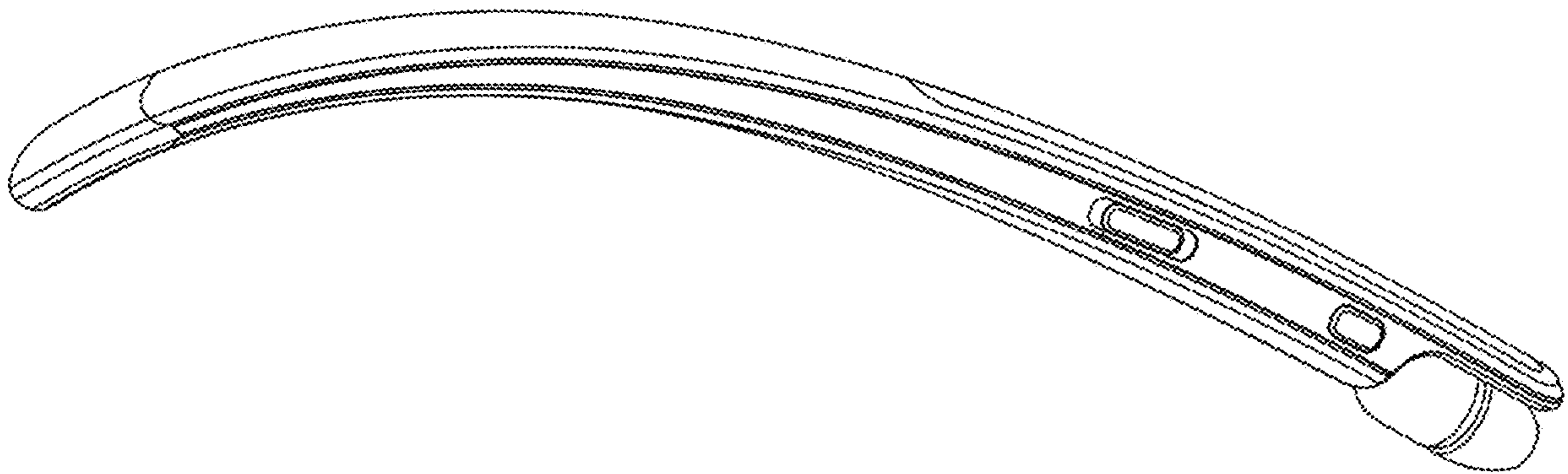
1.2



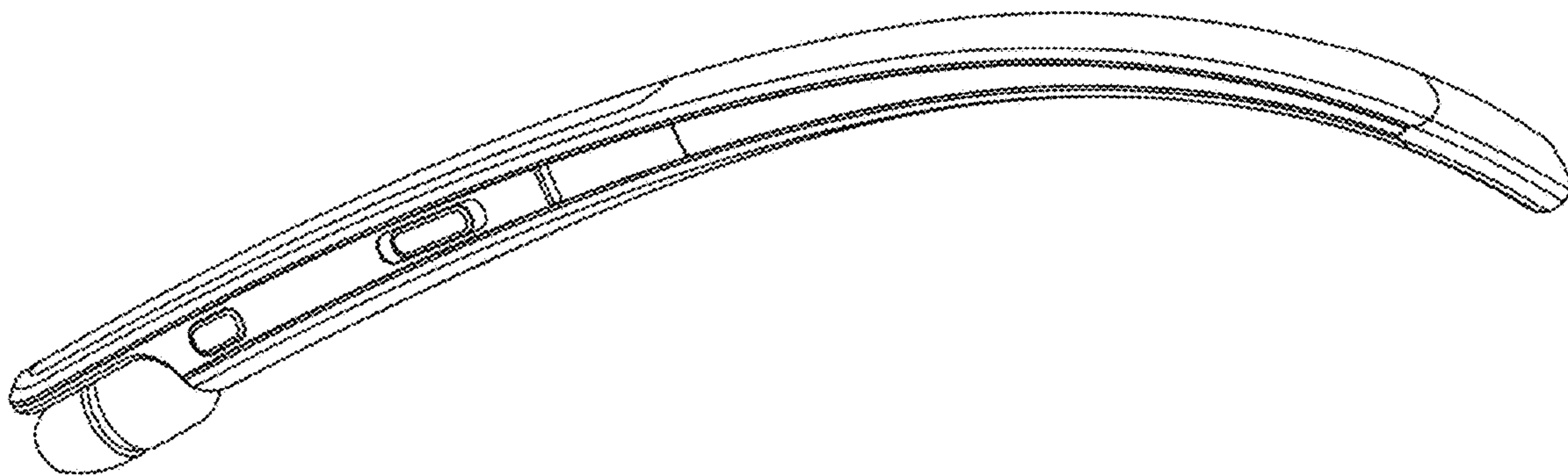
1.3



1.4



1.5



1.6



1.7

