



US00D831610S

(12) **United States Design Patent** (10) **Patent No.:** **US D831,610 S**
Aoyagi et al. (45) **Date of Patent:** **** Oct. 23, 2018**

(54) **HEADPHONES**

FOREIGN PATENT DOCUMENTS

(71) Applicant: **Apple Inc.**, Cupertino, CA (US)

CN 206323524 U 8/2013
CN 303159413 4/2015

(72) Inventors: **Shota Aoyagi**, San Francisco, CA (US);
Robert Boyd, Los Angeles, CA (US);
Robert Brunner, San Francisco, CA
(US); **Monica Fernandez**, Los Angeles,
CA (US); **Christopher Kuh**, San
Francisco, CA (US); **Christopher J.
Stringer**, Woodside, CA (US)

(Continued)

OTHER PUBLICATIONS

Japanese Patent Office Document HJ19003319, dated by JPO Mar.
2007.

(Continued)

Primary Examiner — Paula Allen Greene

(73) Assignee: **Apple Inc.**, Cupertino, CA (US)

(74) *Attorney, Agent, or Firm* — Sterne, Kessler,
Goldstein & Fox P.L.L.C.

(**) Term: **15 Years**

(57) **CLAIM**

(21) Appl. No.: **29/622,980**

The ornamental design for headphones, as shown and
described.

(22) Filed: **Oct. 20, 2017**

DESCRIPTION

Related U.S. Application Data

(63) Continuation of application No. 29/575,696, filed on
Aug. 26, 2016, now Pat. No. Des. 817,301.

(51) **LOC (11) Cl.** **14-01**

(52) **U.S. Cl.**
USPC **D14/205**

(58) **Field of Classification Search**
USPC D14/205, 223; 181/129, 130, 135;
379/430, 431; 381/380, 381; 455/90.3,
455/575.1, 569.1

(Continued)

(56) **References Cited**

U.S. PATENT DOCUMENTS

1,312,493 A * 8/1919 Theis A61F 11/14
128/866

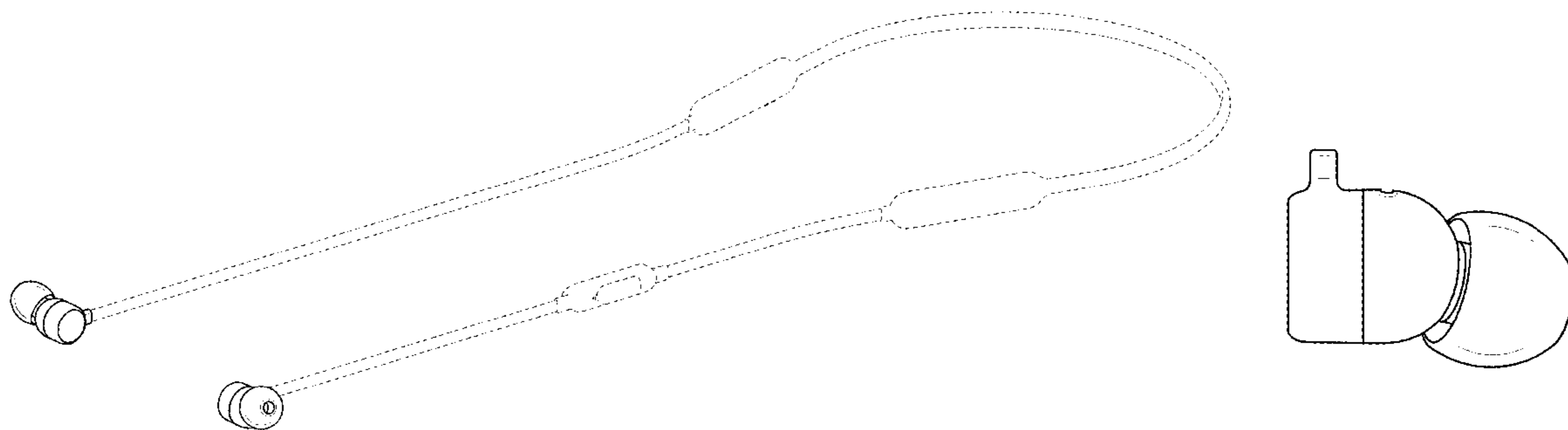
2,248,837 A 7/1941 Walters

(Continued)

FIG. 1 is a front perspective view of headphones showing
the claimed design;
FIG. 2 is a front view thereof;
FIG. 3 is a rear view thereof;
FIG. 4 is a left side view thereof;
FIG. 5 is a right side view thereof;
FIG. 6 is a bottom view thereof;
FIG. 7 is a top view thereof;
FIG. 8 is a reference view showing an enlarged portion of
FIG. 1;
FIG. 9 is a reference view showing an enlarged portion of
FIG. 2;
FIG. 10 is a reference view showing an enlarged portion of
FIG. 3;
FIG. 11 is a reference view showing an enlarged portion of
FIG. 4; and,
FIG. 12 is a reference view showing an enlarged portion of
FIG. 6.

The broken lines in the figures show portions of the head-
phones that form no part of the claimed design.

1 Claim, 6 Drawing Sheets



(58) **Field of Classification Search**

CPC H04R 1/10; H04R 1/1016; H04R 1/1066;
H04R 1/1033; H04R 25/00; H04R 5/033;
H04R 5/0335; H04R 1/105; H04R 1/008;
H04R 1/1058

See application file for complete search history.

(56)

References Cited

U.S. PATENT DOCUMENTS

- | | | | | | | | |
|----------------|---------|-------------------|------------------------|----------------|---------|--------------------|---------------------------|
| 2,430,229 A | 11/1947 | Kelsey | | D596,617 S * | 7/2009 | Devlas | D14/205 |
| 2,501,107 A * | 3/1950 | Volkman | H04R 5/0335
381/374 | D598,901 S | 8/2009 | Lee et al. | |
| 2,545,731 A | 3/1951 | French | | D599,781 S | 9/2009 | Lee et al. | |
| D168,240 S | 11/1952 | Rodriguez | | D600,675 S | 9/2009 | Lee et al. | |
| 2,739,660 A | 3/1956 | French | | D604,269 S * | 11/2009 | Choe | D14/205 |
| 3,195,392 A * | 7/1965 | Allen | G10G 7/02
181/130 | D604,272 S | 11/2009 | Kitayama | |
| 3,301,253 A | 1/1967 | Glorig | | D606,971 S | 12/2009 | Christopher et al. | |
| D241,881 S * | 10/1976 | Peterson | D24/106 | D607,875 S * | 1/2010 | Pedersen, II | H04R 1/1033
D14/206 |
| 4,457,396 A * | 7/1984 | James | H04R 1/345
181/129 | D609,698 S | 2/2010 | Ng | |
| D278,234 S * | 4/1985 | Saito | D14/205 | D621,389 S | 8/2010 | Nagayama et al. | |
| 4,539,708 A * | 9/1985 | Norris | H04B 1/088
455/100 | D622,707 S | 8/2010 | Chen et al. | |
| 4,550,227 A * | 10/1985 | Topholm | H04R 25/60
381/322 | D623,630 S | 9/2010 | Ohuri et al. | |
| D287,280 S * | 12/1986 | Topholm | D24/174 | D627,764 S | 11/2010 | Tsai et al. | |
| D287,764 S * | 1/1987 | Topholm | D24/174 | D627,765 S | 11/2010 | Zheng | |
| D287,765 S * | 1/1987 | Topholm | D24/174 | D629,793 S | 12/2010 | Göransson | |
| D309,306 S | 7/1990 | Weiser et al. | | D630,179 S | 1/2011 | Park et al. | |
| D337,587 S * | 7/1993 | Nakayama | D14/205 | D631,037 S | 1/2011 | Park et al. | |
| D350,354 S * | 9/1994 | Nakamura | D14/205 | D636,763 S | 4/2011 | Walter | |
| 5,625,171 A | 4/1997 | Marshall | | 7,920,902 B2 * | 4/2011 | Carroll | H04M 1/6066
381/74 |
| 5,659,156 A | 8/1997 | Mauney et al. | | D637,585 S | 5/2011 | Nagayama et al. | |
| 5,749,373 A * | 5/1998 | Dix | A61F 11/12
128/864 | D643,830 S * | 8/2011 | Fish | D14/205 |
| 5,792,998 A * | 8/1998 | Gardner, Jr. | A61F 11/14
181/130 | D648,708 S | 11/2011 | Katsuraku et al. | |
| 5,829,062 A * | 11/1998 | Magidson | A61F 11/12
128/867 | D650,368 S | 12/2011 | Lee et al. | |
| 6,010,216 A * | 1/2000 | Jesiek | H04B 1/385
351/158 | D653,234 S * | 1/2012 | Lee | D14/205 |
| 6,233,345 B1 * | 5/2001 | Urwyler | H04R 1/1033
351/123 | D654,056 S * | 2/2012 | Hoggarth | D14/205 |
| D458,245 S * | 6/2002 | Masuda | D14/192 | D656,489 S | 3/2012 | Kumagai et al. | |
| D466,100 S * | 11/2002 | Obata | D14/167 | D656,491 S | 3/2012 | Nomura | |
| 6,603,863 B1 * | 8/2003 | Nagayoshi | H04R 1/1066
381/370 | D663,714 S * | 7/2012 | Kang | D14/205 |
| D482,348 S | 11/2003 | Villaverde et al. | | D666,581 S * | 9/2012 | Perez | D14/223 |
| 6,741,719 B1 * | 5/2004 | Orten | A61B 7/04
381/380 | D669,881 S * | 10/2012 | Clements | D14/205 |
| 6,799,018 B1 * | 9/2004 | Lam | H04B 10/11
381/301 | 8,290,193 B2 * | 10/2012 | Pang | H04R 1/1033
381/370 |
| D504,177 S * | 4/2005 | Erfan | D14/205 | 8,391,536 B2 * | 3/2013 | Hashimoto | H04R 1/1016
381/370 |
| 7,010,139 B1 * | 3/2006 | Smeehuyzen | H04R 1/10
381/376 | D680,102 S * | 4/2013 | Chen | D14/223 |
| D535,642 S | 1/2007 | Garcia et al. | | 8,433,082 B2 * | 4/2013 | Abolfathi | H04R 1/46
381/151 |
| D546,321 S * | 7/2007 | Kim | D14/223 | D683,334 S | 5/2013 | Gondo | |
| D550,202 S * | 9/2007 | Meier | D14/206 | D685,764 S * | 7/2013 | Coulter | D14/205 |
| D550,657 S | 9/2007 | Gan et al. | | D695,724 S | 12/2013 | Ishikura | |
| D554,109 S | 10/2007 | Ledbetter et al. | | 8,611,581 B2 | 12/2013 | Matsuo et al. | |
| D569,841 S * | 5/2008 | Chung | D14/205 | D698,750 S * | 2/2014 | Yoon | D14/205 |
| D575,268 S * | 8/2008 | Christopher | D14/205 | D699,226 S * | 2/2014 | Yoon | D14/206 |
| D576,149 S * | 9/2008 | Malik | D14/205 | 8,712,087 B2 | 4/2014 | Ozawa | |
| D576,154 S | 9/2008 | Ledbetter et al. | | D707,660 S | 6/2014 | Yang | |
| D578,507 S * | 10/2008 | Ando | D14/205 | 8,743,533 B2 * | 6/2014 | Stanley | H01H 9/0228
361/679.01 |
| D579,005 S | 10/2008 | Wilhelmsen | | 8,776,801 B2 * | 7/2014 | McIntosh | A61F 11/08
128/864 |
| D579,444 S | 10/2008 | Ewert et al. | | D711,356 S * | 8/2014 | Yang | D14/223 |
| D587,678 S * | 3/2009 | Yuyama | D14/205 | D712,371 S * | 9/2014 | Henning | D14/205 |
| D587,681 S | 3/2009 | Yanai | | 8,831,266 B1 * | 9/2014 | Huang | H04R 1/1091
381/370 |
| D587,685 S | 3/2009 | Densho | | D716,759 S * | 11/2014 | Ha | D14/205 |
| D589,493 S | 3/2009 | Densho | | D718,286 S * | 11/2014 | Yang | D14/223 |
| D593,067 S * | 5/2009 | Millora | D14/205 | D721,673 S * | 1/2015 | Park | D14/205 |
| D594,441 S | 6/2009 | Lee et al. | | 8,934,654 B2 * | 1/2015 | Fullam | H04R 1/028
381/381 |
| D594,442 S * | 6/2009 | Chon | D14/205 | D722,040 S * | 2/2015 | Tan | D14/205 |
| | | | | 8,983,108 B2 * | 3/2015 | Ho | H04R 1/1016
181/135 |
| | | | | D726,145 S * | 4/2015 | Hsieh | D14/205 |
| | | | | D727,871 S * | 4/2015 | Orbach | D14/205 |
| | | | | D731,999 S | 6/2015 | Cepress et al. | |
| | | | | D736,178 S * | 8/2015 | Tsou | D14/206 |
| | | | | D737,251 S | 8/2015 | Thompson et al. | |
| | | | | D739,999 S * | 10/2015 | Hardy | D2/910 |
| | | | | D743,381 S * | 11/2015 | Pi | D14/218 |
| | | | | D743,947 S | 11/2015 | Yoshimura | |
| | | | | 9,197,959 B2 | 11/2015 | Fukushima et al. | |
| | | | | D756,958 S * | 5/2016 | Lee | D14/205 |
| | | | | D756,959 S * | 5/2016 | Lee | D14/205 |
| | | | | D762,196 S | 7/2016 | Hsieh et al. | |
| | | | | D762,616 S | 8/2016 | Hsieh et al. | |
| | | | | D771,010 S * | 11/2016 | Louis | D11/3 |
| | | | | D775,108 S | 12/2016 | Hsieh et al. | |

(56)

References Cited

FOREIGN PATENT DOCUMENTS

U.S. PATENT DOCUMENTS

D776,083 S *	1/2017	Lee	D14/205
D777,136 S *	1/2017	Erbeus	D14/205
D777,137 S *	1/2017	Erbeus	D14/205
D777,138 S *	1/2017	Fletcher	D14/205
D777,139 S *	1/2017	Fletcher	D14/205
D777,710 S *	1/2017	Palmborg	D14/223
D778,267 S	2/2017	Hsieh et al.	
D780,155 S	2/2017	Levine et al.	
D781,269 S *	3/2017	Choe	D14/223
D782,997 S *	4/2017	Shin	D14/205
D782,998 S *	4/2017	Shin	D14/205
D786,217 S *	5/2017	Stoch	D14/205
2007/0098201 A1 *	5/2007	Chen	H04R 1/1016 381/380
2011/0176700 A1 *	7/2011	Hashimoto	H04R 1/1016 381/380
2013/0058516 A1 *	3/2013	Sullivan	H04R 1/1033 381/380
2013/0170692 A1 *	7/2013	Kaneko	H04R 1/1016 381/380
2016/0050487 A1 *	2/2016	Kim	H04R 1/323 381/74
2017/0134845 A1 *	5/2017	Milam	H04R 1/1041
2017/0295421 A1 *	10/2017	Hung	H04R 1/1016
2018/0070165 A1 *	3/2018	Hatfield	H04R 1/1016

CN	303190103	4/2015
CN	303297640	7/2015
CN	303634597	4/2016
CN	303647619	4/2016
CN	303654967	4/2016
CN	303691284	6/2016
CN	303841127	9/2016
CN	304122715 S	1/2017
JP	D1322444 S	1/2008
JP	2013168981 A	8/2013
JP	D1490815	1/2014
JP	D1567615 S	12/2016
JP	D1577262 S	4/2017
KR	D 30-0796056	5/2015
KR	D 30-0852003	4/2016

OTHER PUBLICATIONS

John Schettino, Nyrius NAE500 Noise Isolating In-Ear Earphones Review, Online Review, Feb. 23, 2012.
 Chester Tan, Beoplay H3: Earphones Review, Online Review, Jun. 4, 2014.
 Dime, Japanese Patent Office Document HA27001939, dated by JPO Apr. 16, 2015.

* cited by examiner

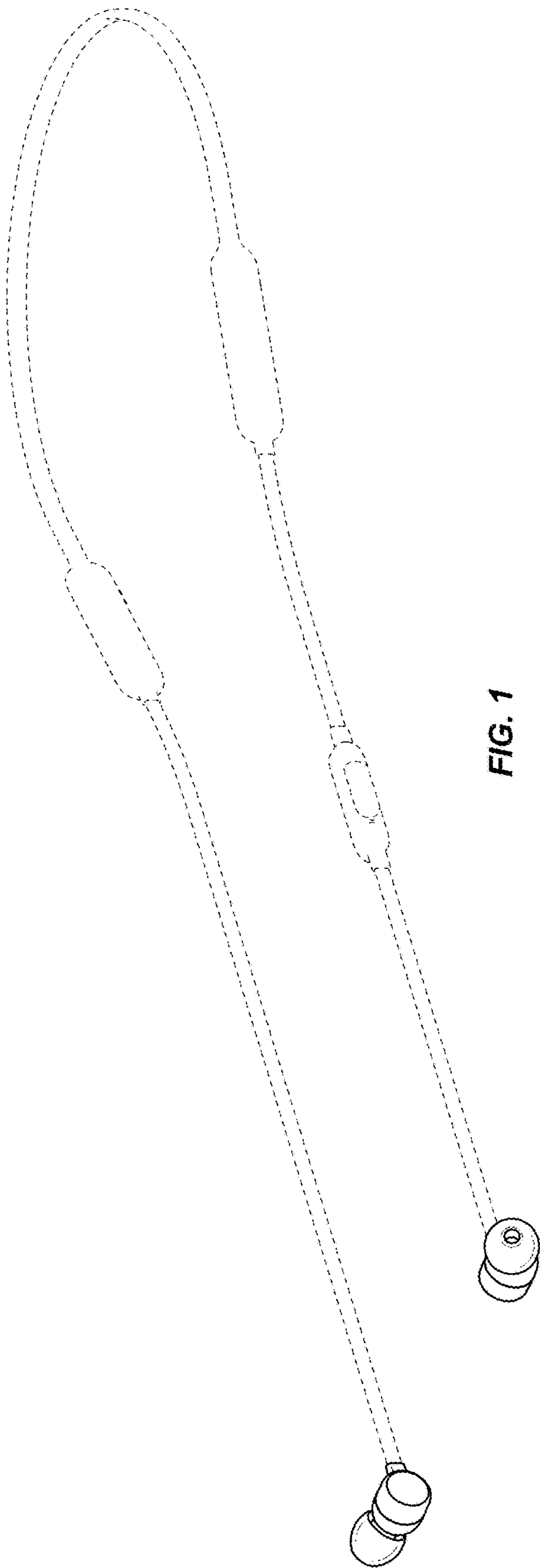


FIG. 1

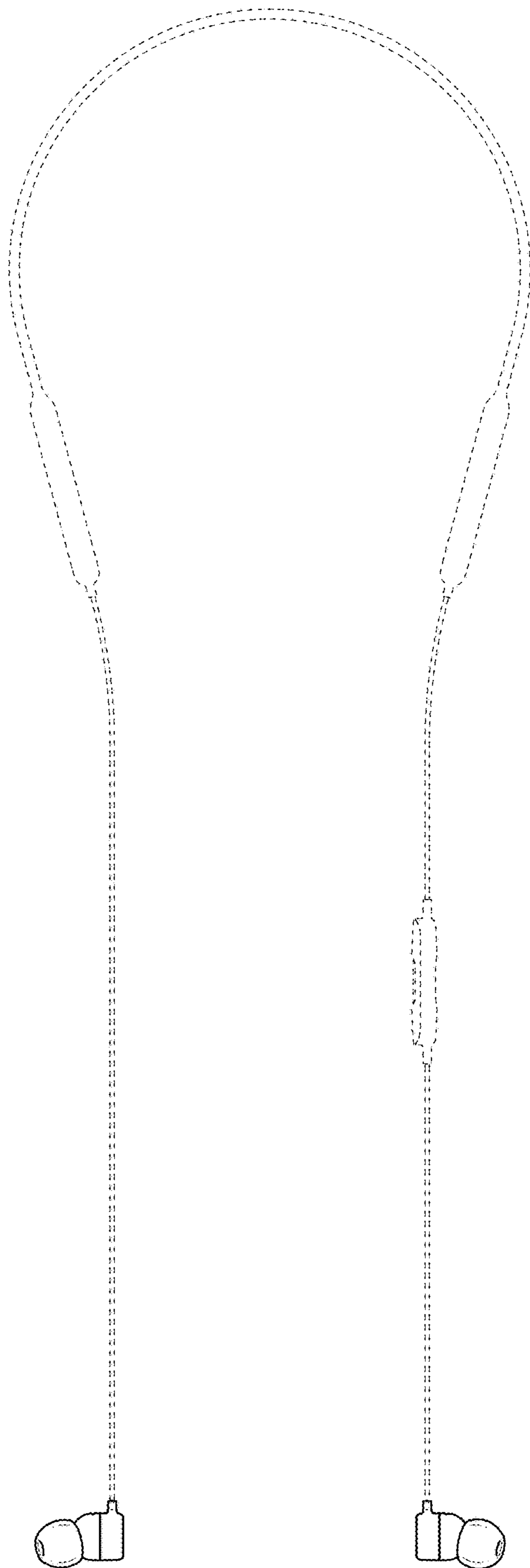


FIG. 2

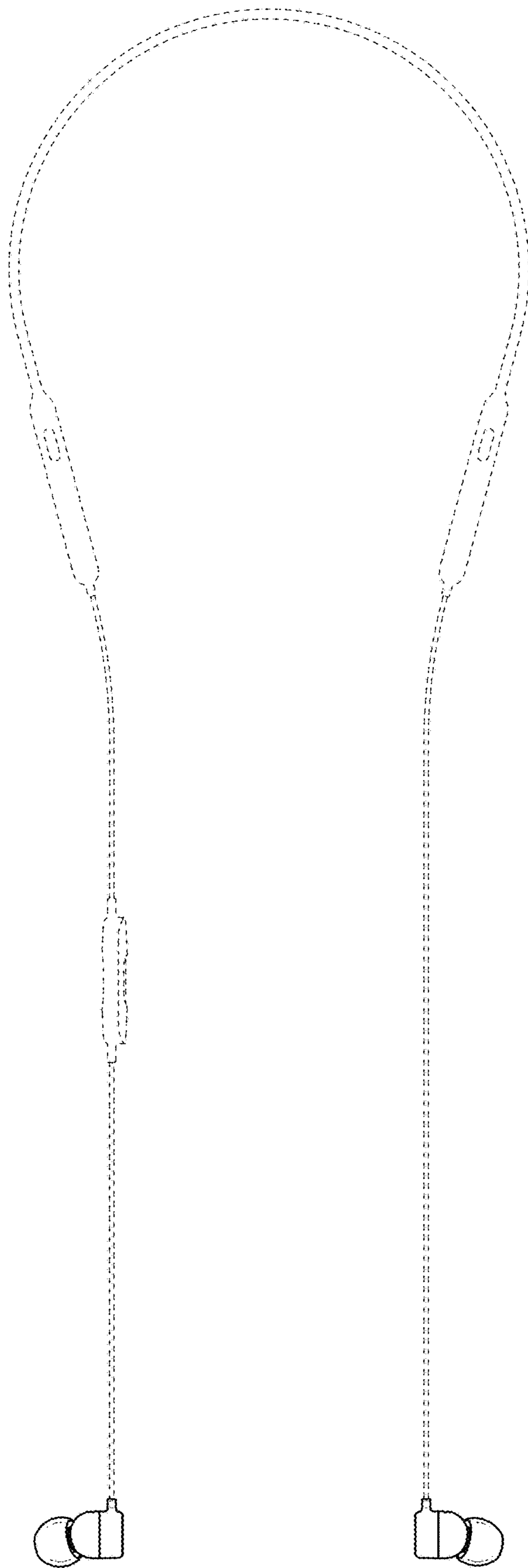


FIG. 3

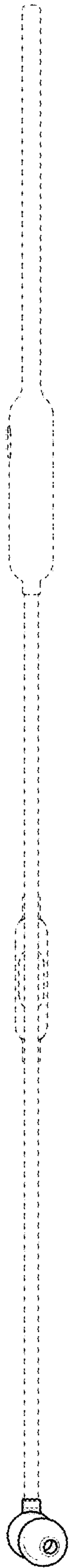


FIG. 4

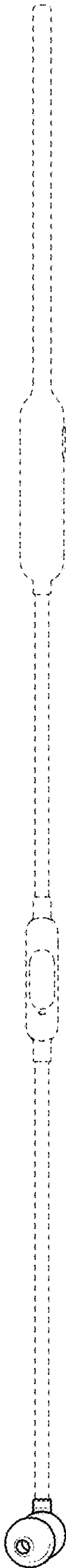


FIG. 5

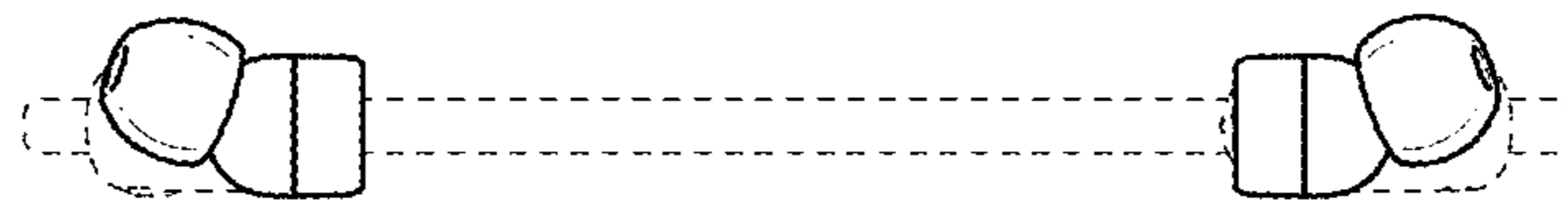


FIG. 6

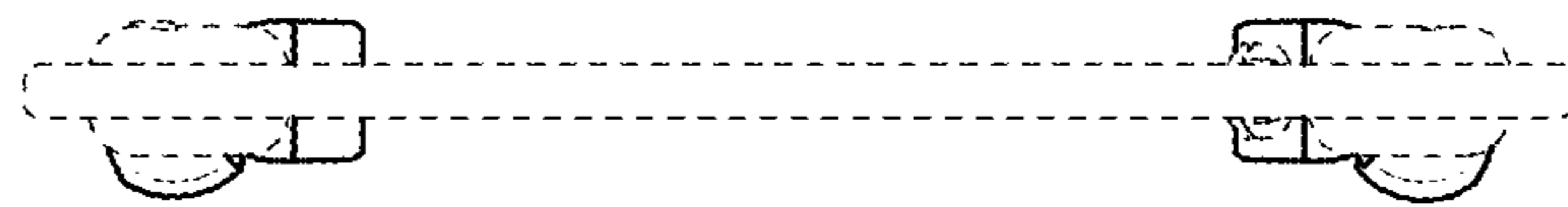


FIG. 7

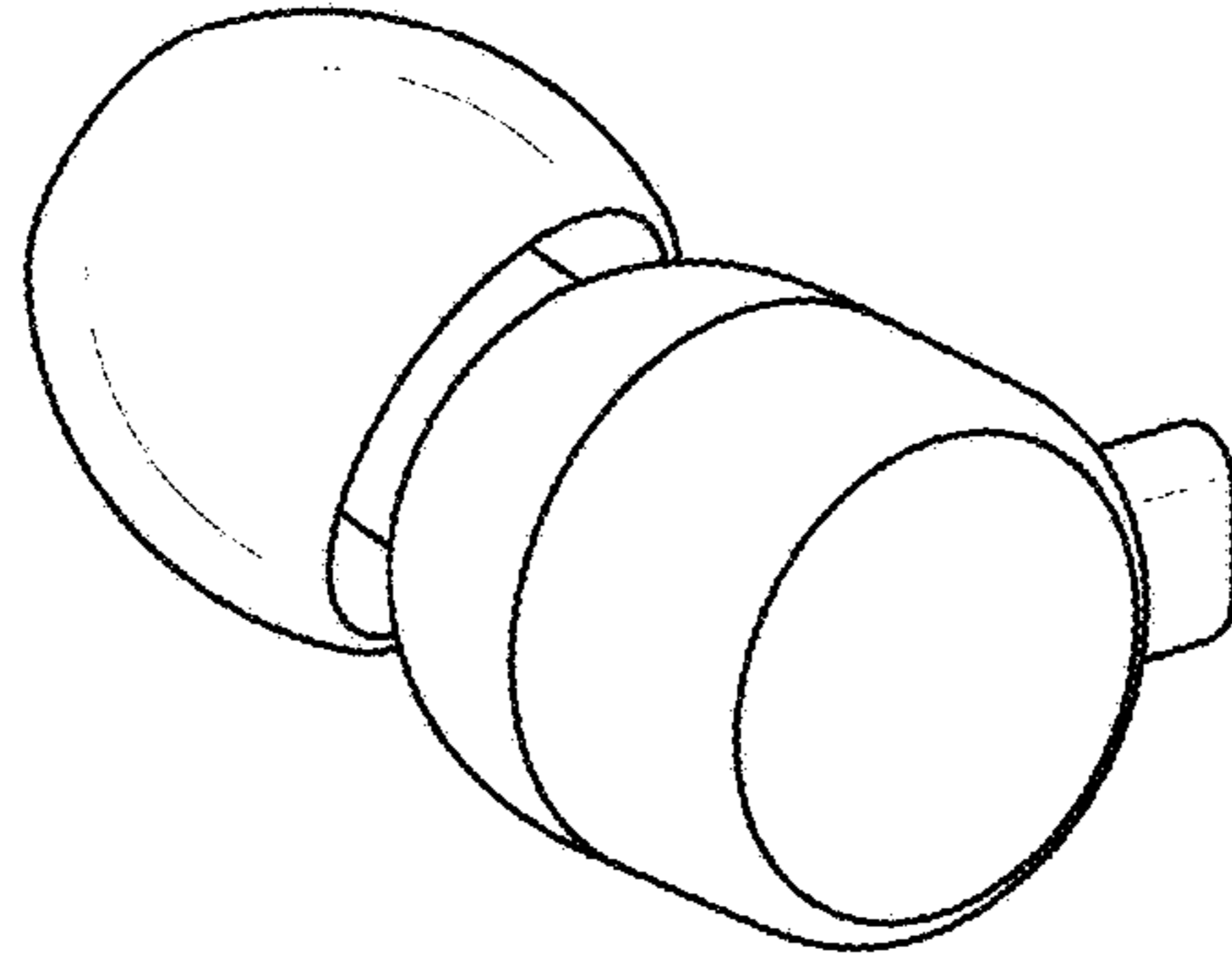


FIG. 8

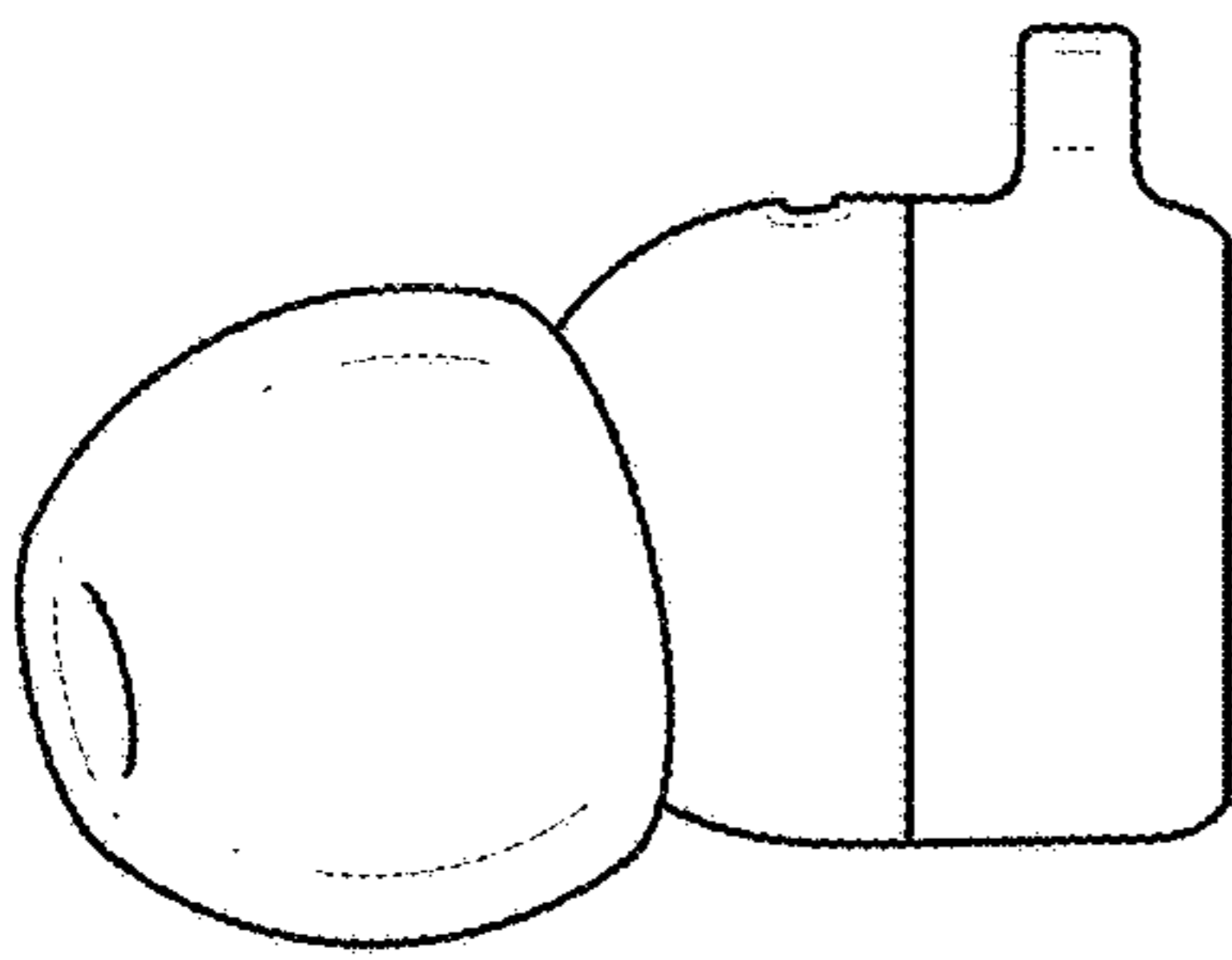


FIG. 9

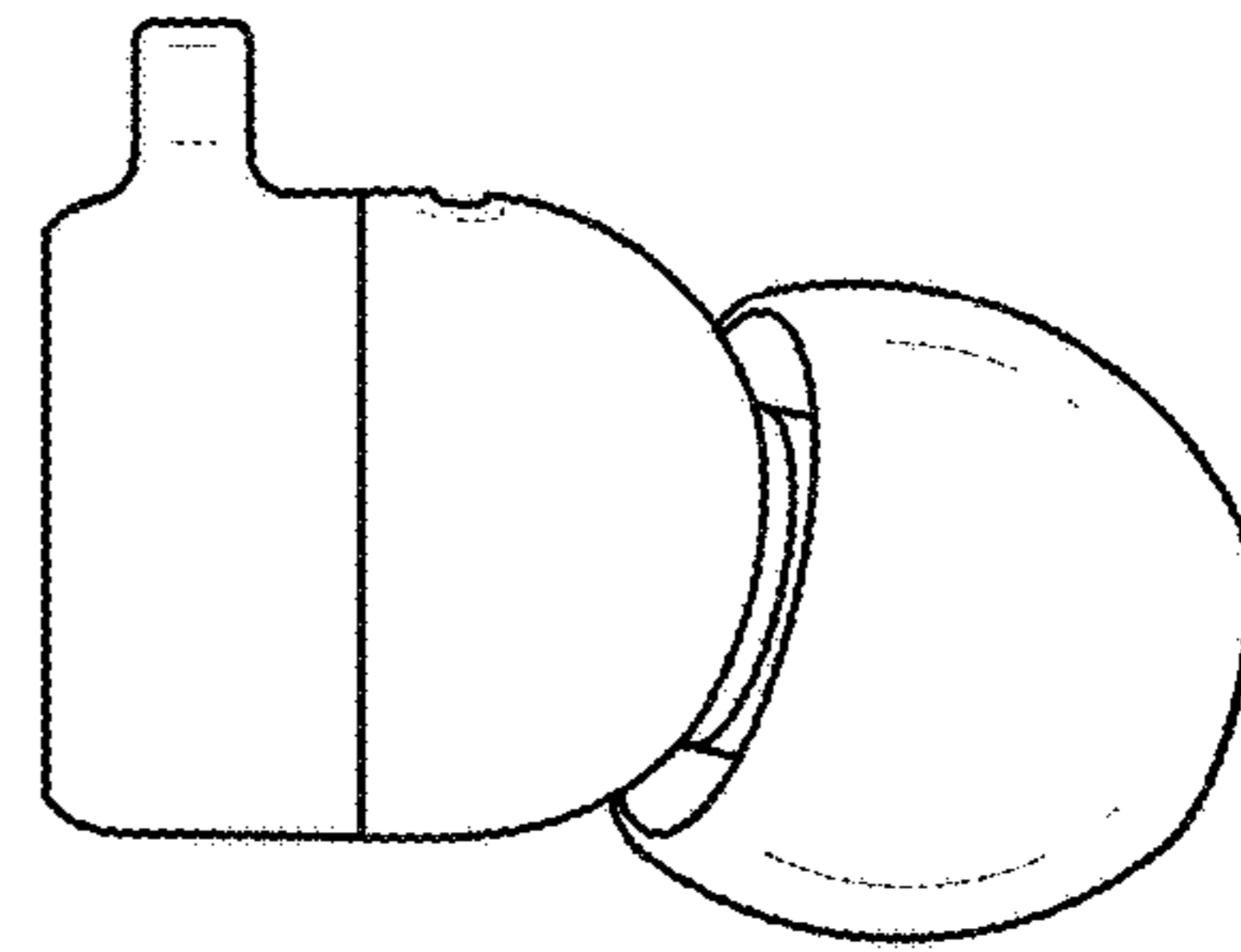


FIG. 10

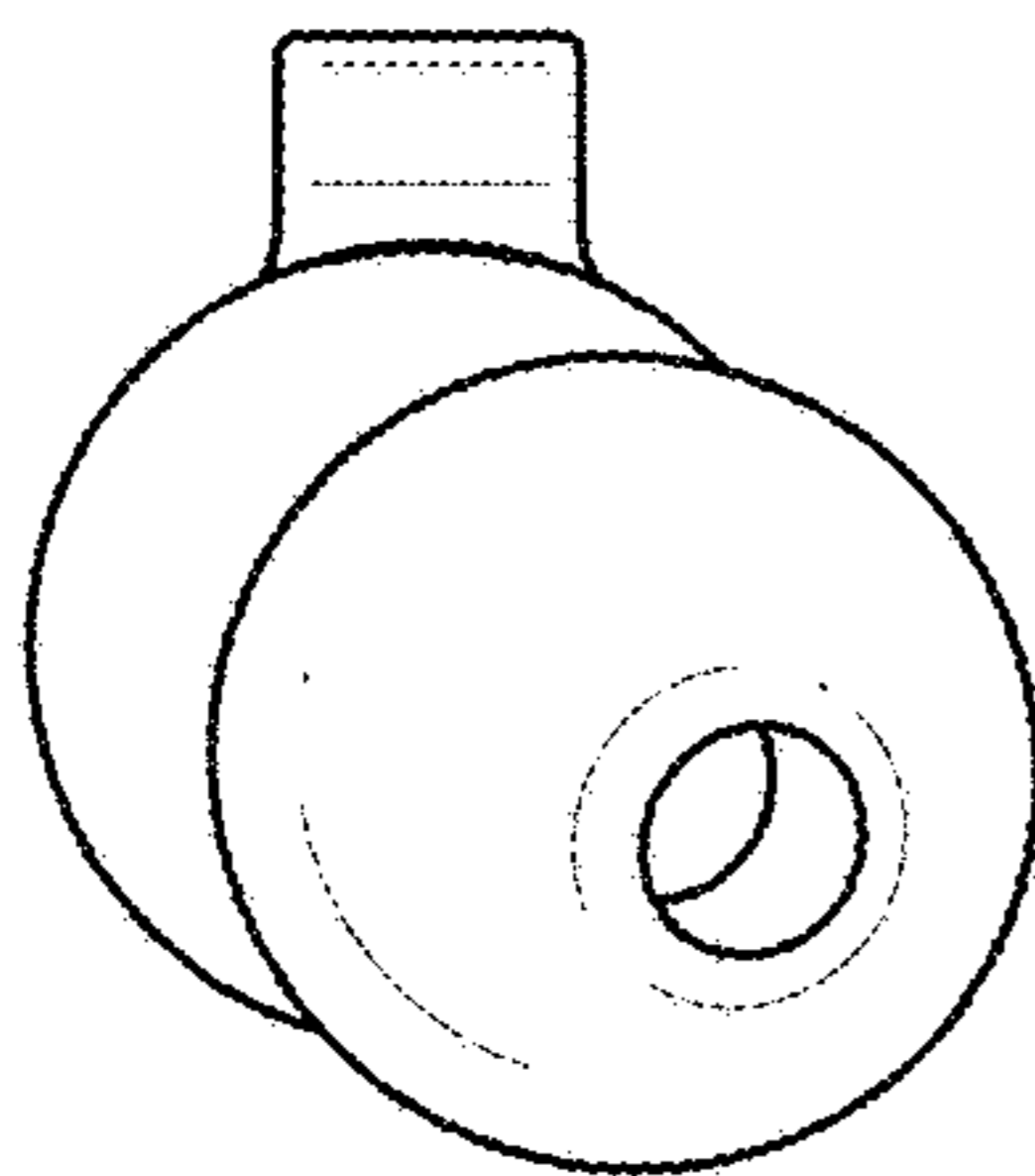


FIG. 11

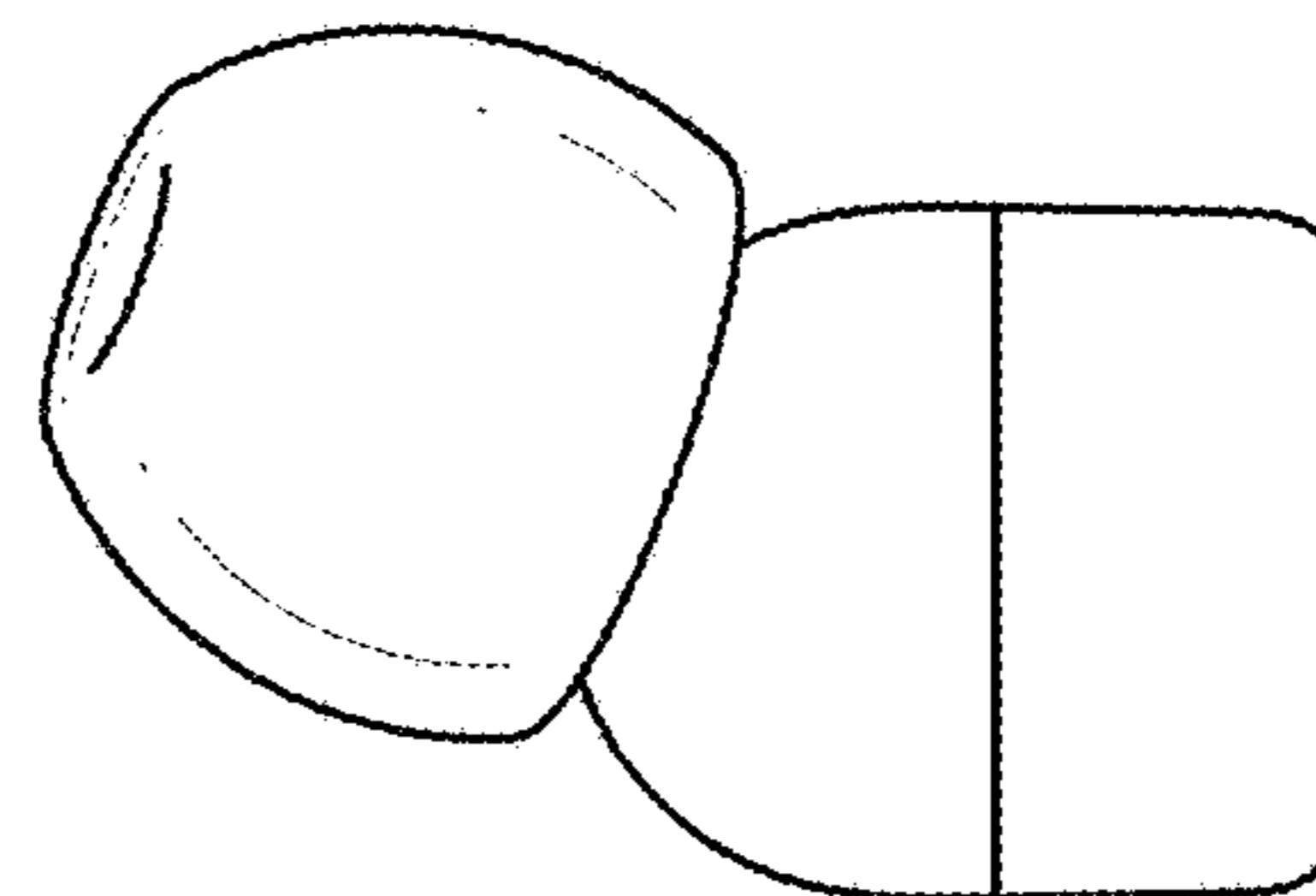


FIG. 12