



US00D831607S

(12) **United States Design Patent**
Liden et al.

(10) **Patent No.:** **US D831,607 S**
(45) **Date of Patent:** **** Oct. 23, 2018**

(54) **AUDIO DEVICE**
(71) Applicant: **Bose Corporation**, Framingham, MA (US)
(72) Inventors: **Carl Johan Liden**, New York, NY (US); **Brett Tobias Tom**, San Francisco, CA (US); **German Aguirre Raeder**, Tucson, AZ (US); **Hannah Hyunjung Lee**, New Haven, CT (US)
(73) Assignee: **Bose Corporation**, Framingham, MA (US)

2,032,898 A * 3/1936 Wilson A45D 44/12
2/174
D124,296 S 12/1940 Thompson
2,461,434 A 2/1949 Moyers
2,561,931 A * 7/1951 Kleiser A47G 9/10
135/90
2,795,802 A * 6/1957 Myers A47G 9/10
5/632
2,891,116 A * 6/1959 Nichols H04R 25/602
381/323
2,954,442 A * 9/1960 Mickenberg H04R 5/0335
2/209
D189,450 S 12/1960 Cousin
D193,343 S 8/1962 MacFarlane
(Continued)

(**) Term: **15 Years**

(21) Appl. No.: **29/573,074**

(22) Filed: **Aug. 2, 2016**

(51) **LOC (11) Cl.** **14-01**

(52) **U.S. Cl.**
USPC **D14/205**

(58) **Field of Classification Search**
USPC D14/205, 188, 192; D29/112; 2/209, 2/144; D6/604, 601; D2/500, 861; 5/490, 632, 636, 655, 643; D21/803; 181/129, 130, 135; 379/430, 431; 381/380, 381, 74, 374; 455/90.3, 575.1, 455/569.1
CPC H04R 1/1066; H04R 1/1016; H04R 1/10; H04R 25/00; H04R 1/02; H04R 1/1091; H04R 5/033; H04R 5/0335
See application file for complete search history.

(56) **References Cited**

U.S. PATENT DOCUMENTS

1,343,357 A 6/1920 Eggers
1,584,329 A 5/1926 Skaruda

OTHER PUBLICATIONS

“Sony video teases new wearable wireless audio device”, Mar. 5, 2016 <http://mashable.com/2016/03/05/sony-wearable/#WRiWDytsd8qf>.
(Continued)

Primary Examiner — Paula Allen Greene

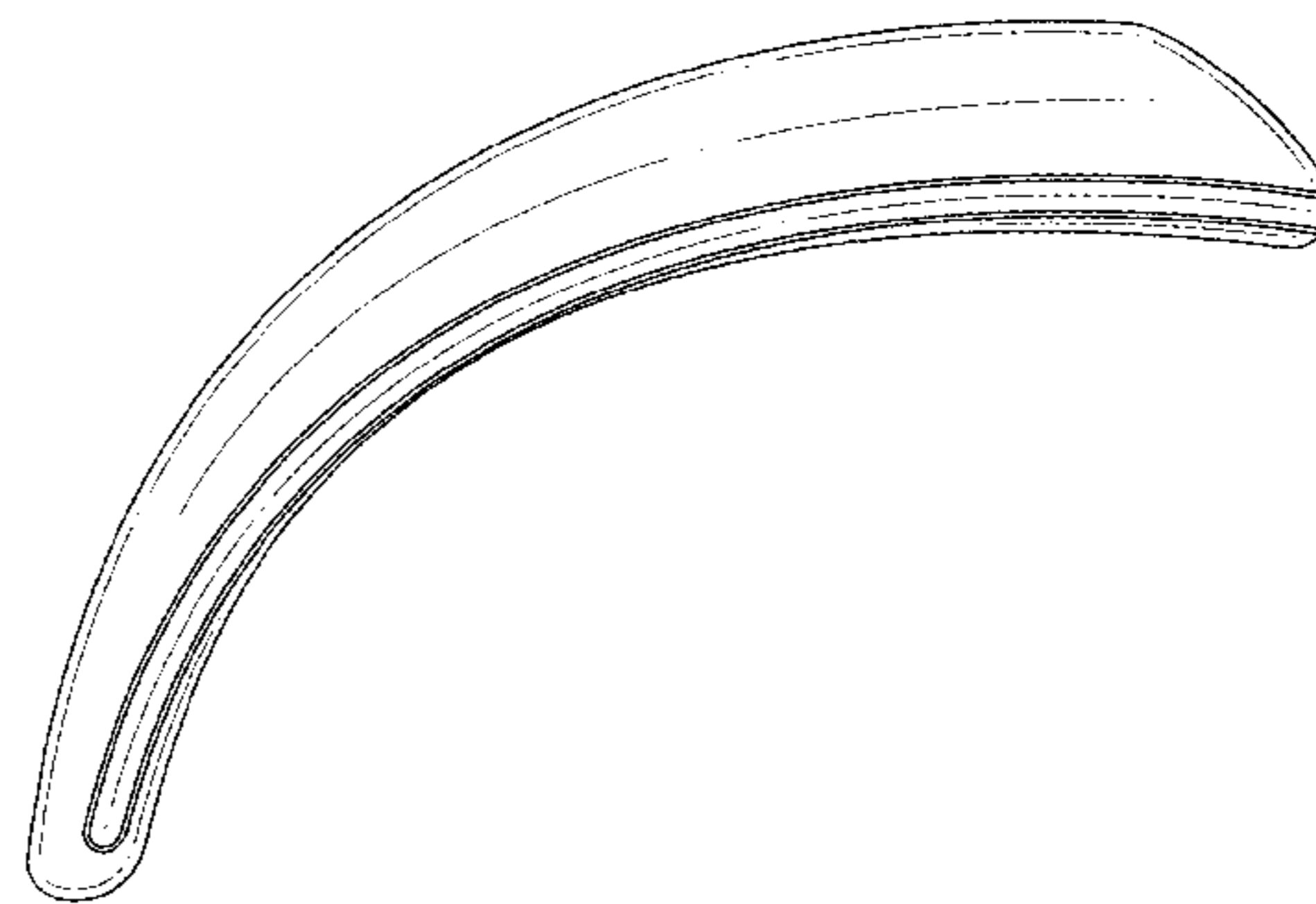
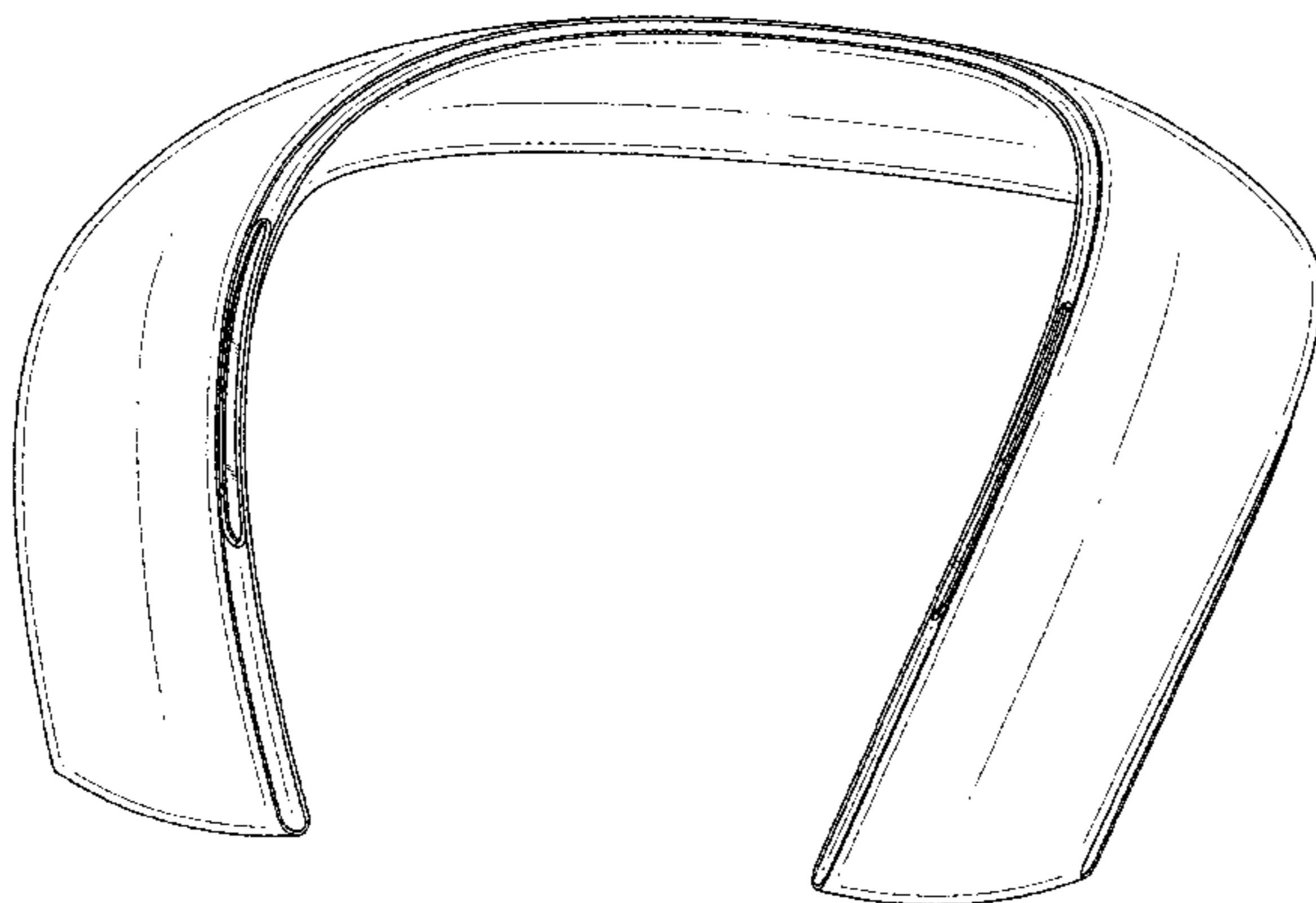
(57) **CLAIM**

The ornamental design for audio device, substantially as shown and described.

DESCRIPTION

FIG. 1 is a perspective view of an audio device as seen from the front, top and left side;
FIG. 2 is a front view thereof;
FIG. 3 is a left side view thereof;
FIG. 4 is a back view thereof;
FIG. 5 is a right side view thereof;
FIG. 6 is a top view thereof; and,
FIG. 7 is a bottom view thereof.

1 Claim, 7 Drawing Sheets



(56)

References Cited

U.S. PATENT DOCUMENTS

2016/0088378 A1* 3/2016 Hsu Huang H04R 1/1008
381/334
2016/0106192 A1 4/2016 Swartz et al.
2016/0183656 A1 6/2016 Karam

OTHER PUBLICATIONS

“Harman Voyager Drive makes in-car audio portable”, Jan. 5, 2016
<http://www.slashgear.com/harman-voyager-drive-makes-in-car-audio-portable-05420728/>.

<http://www.lusha-huang.com/quirky/>, copyright 2015.

<https://www.behance.net/gallery/28226529/Soundwear>, published Jul. 27, 2015.

<http://www.coroflot.com/aaronsaxton/Soundwear>, published Jul. 27, 2015.

“LG Tone Pro. The Essential Audio Soltion For Life On The Go:”
LG Tone Pro Wireless Stereo Headset. LG Electronics Corp.
Retrieved from the Internet Nov. 25, 2014.

* cited by examiner

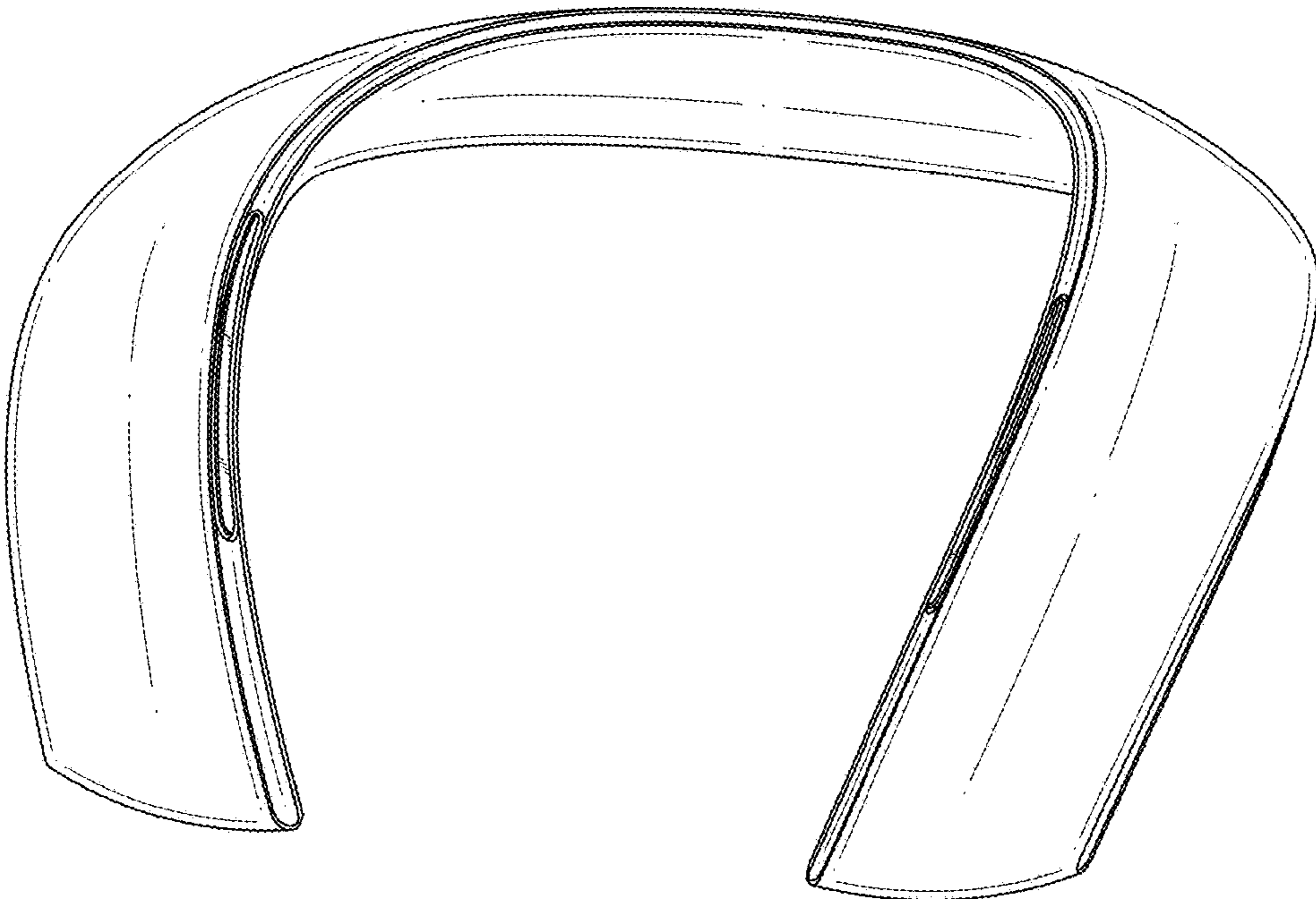


FIG. 1

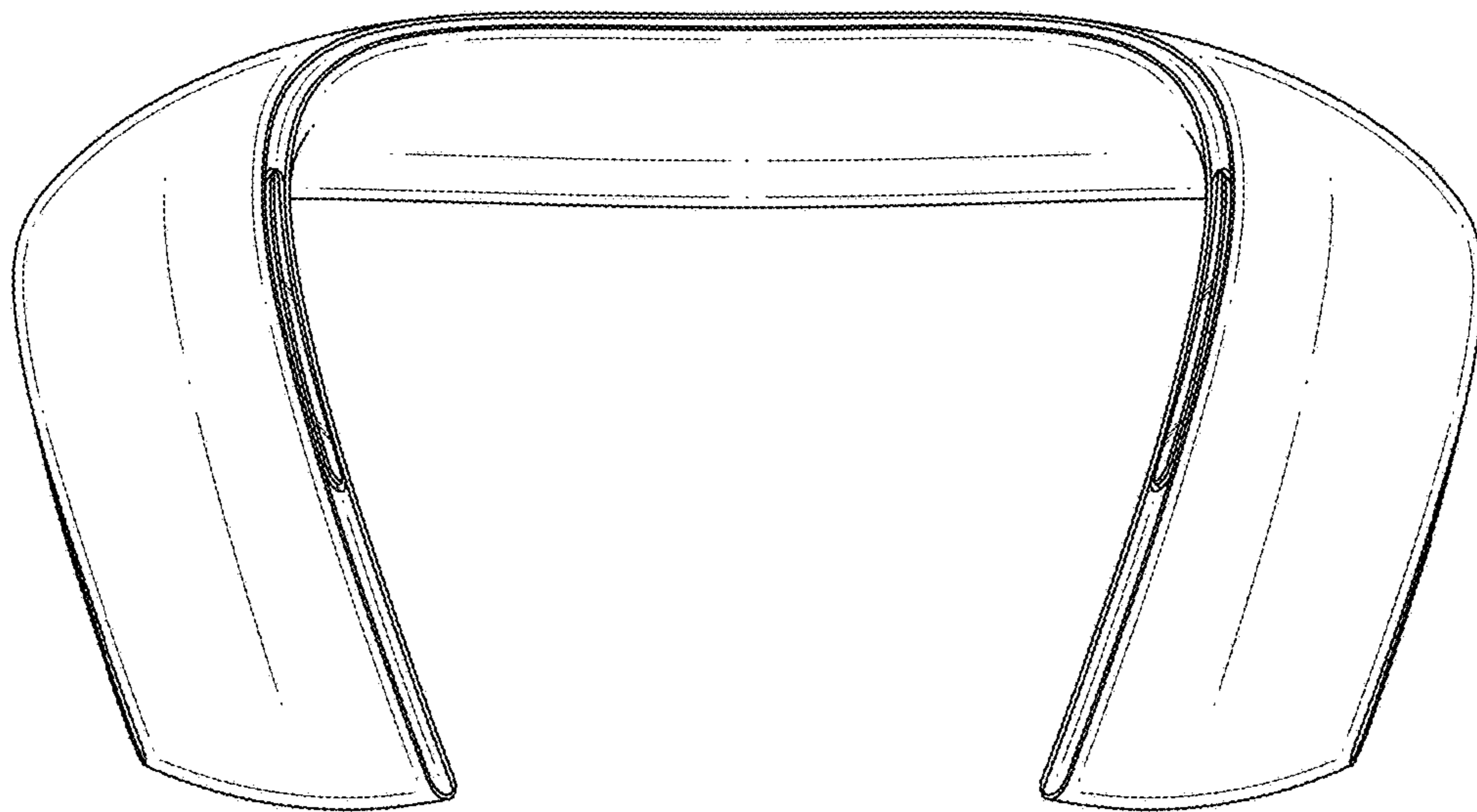


FIG. 2

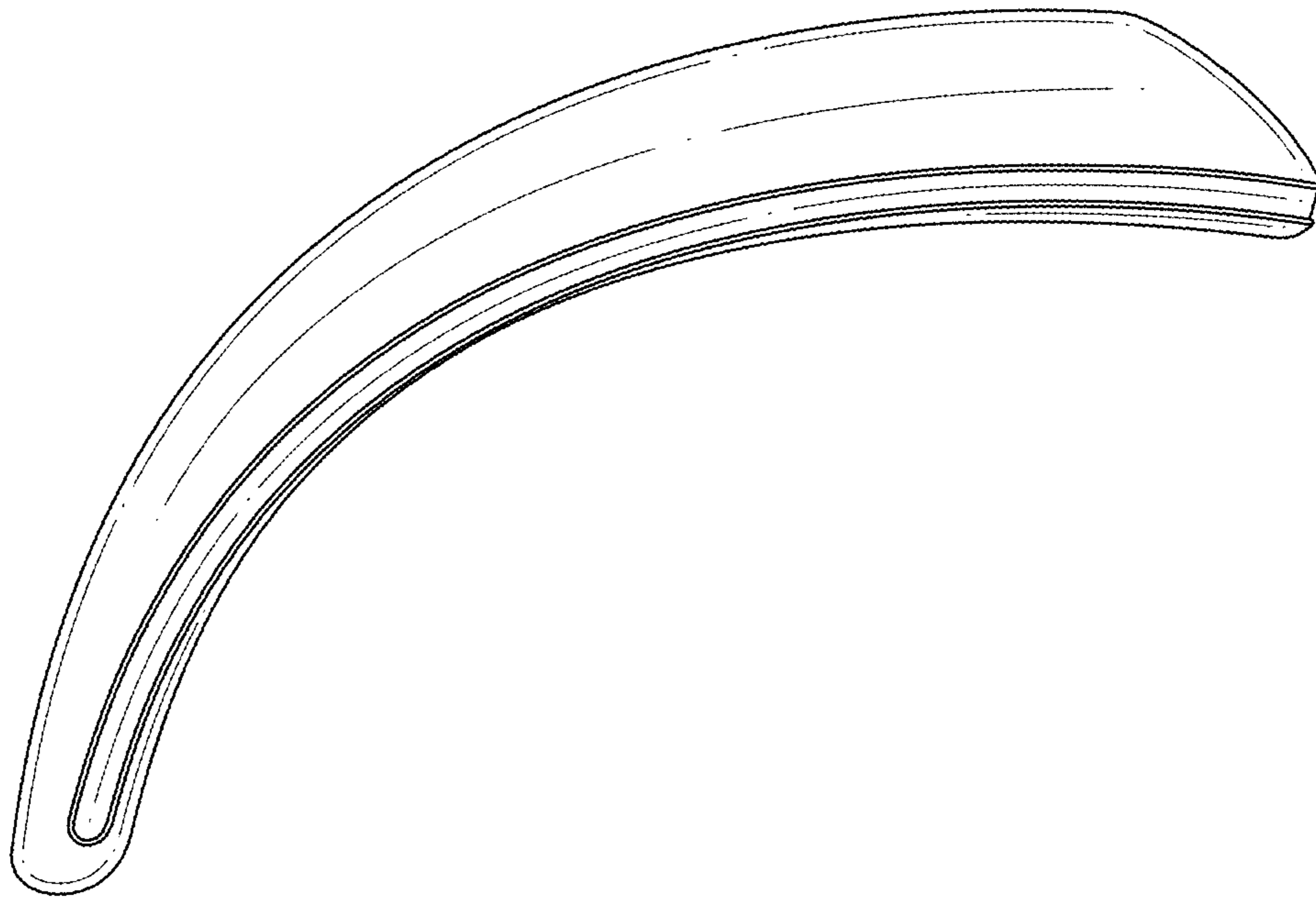


FIG. 3

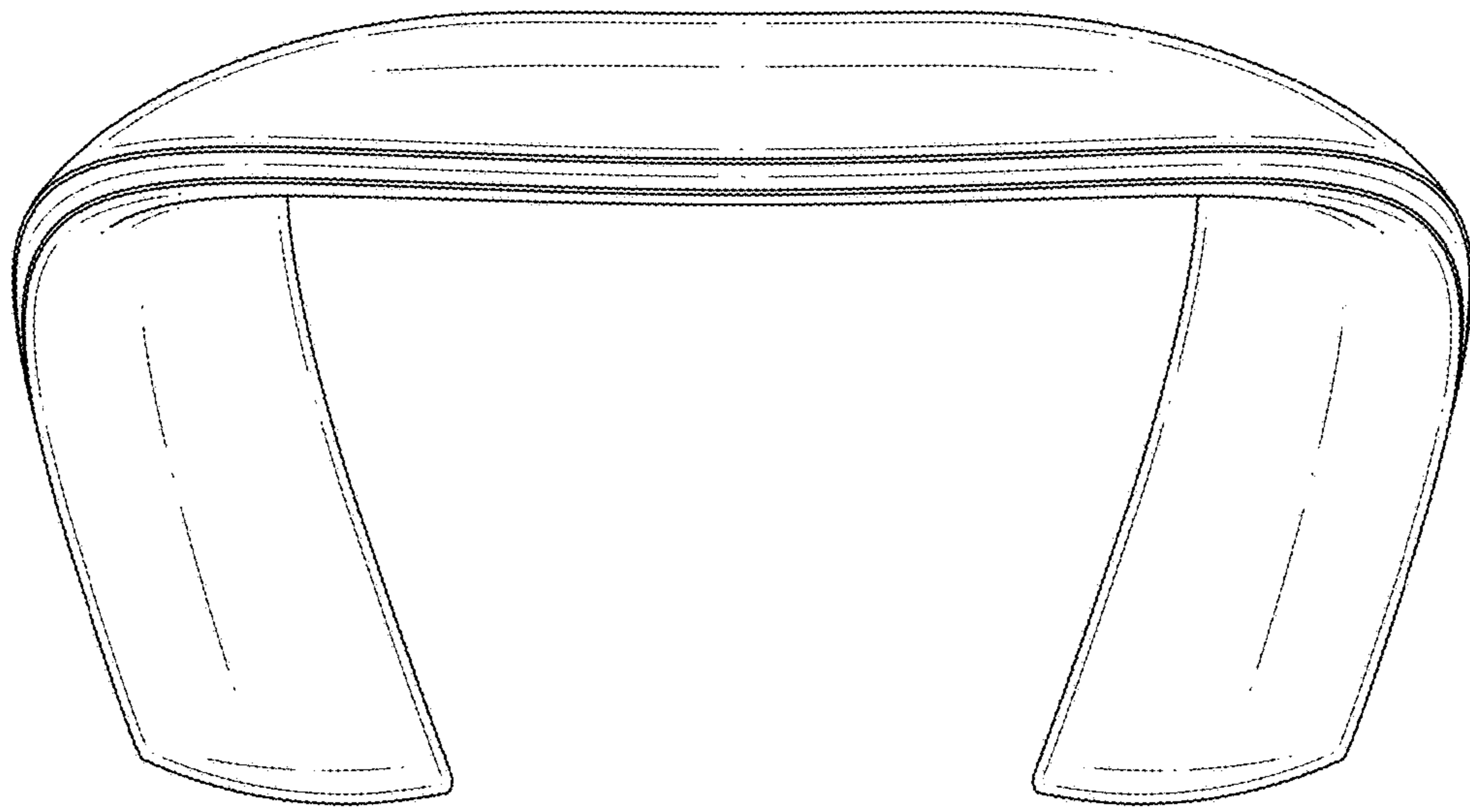


FIG. 4

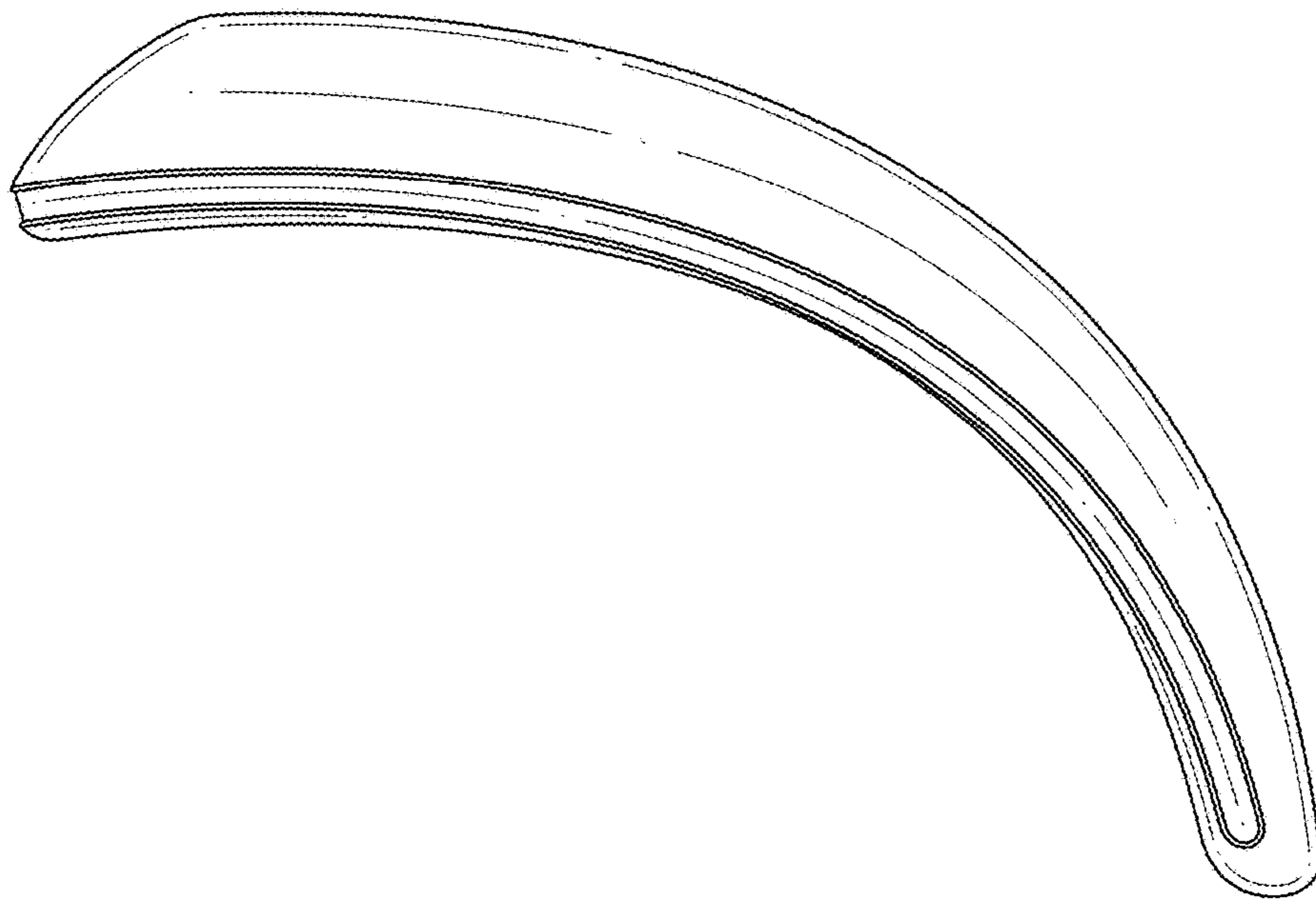


FIG. 5

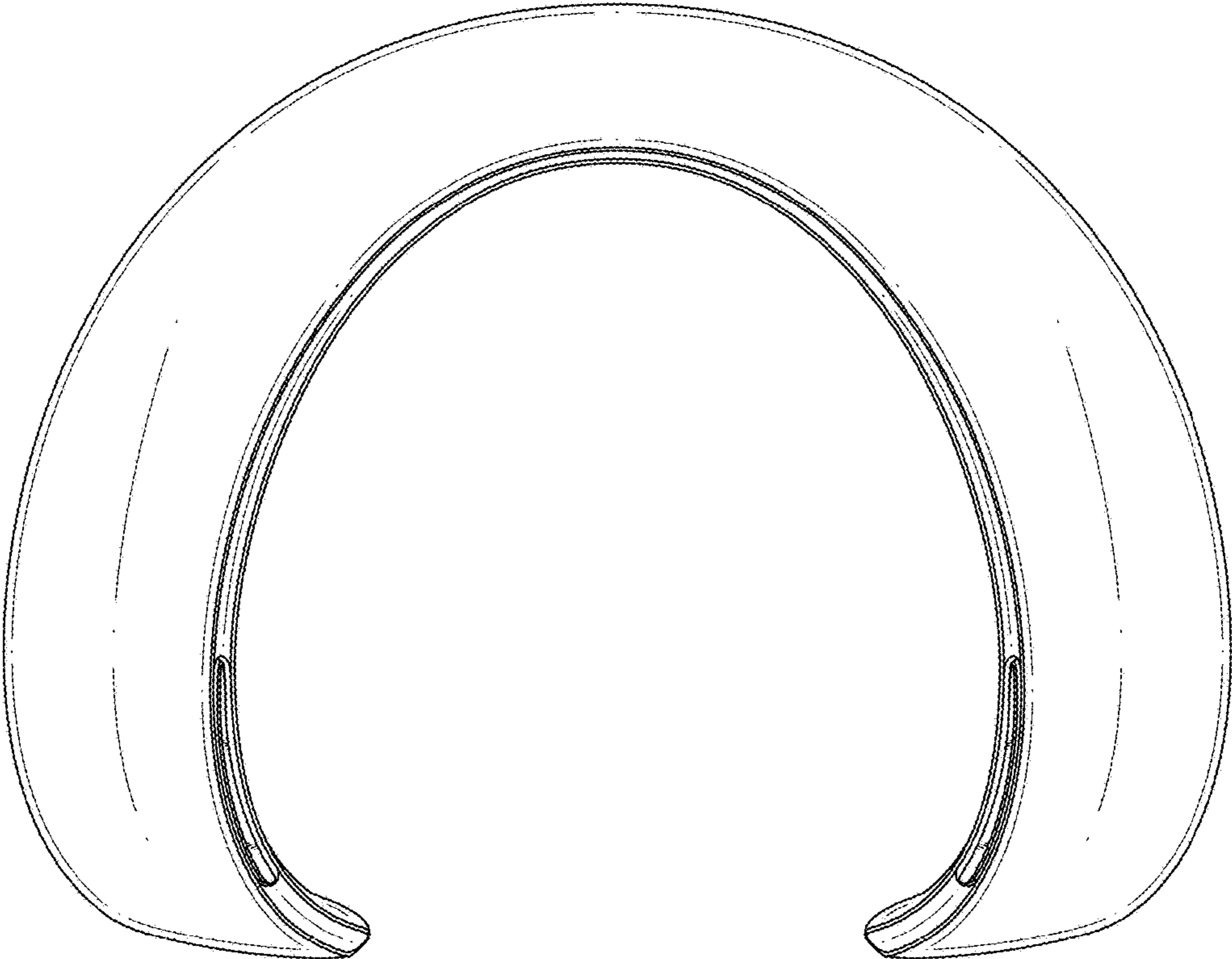


FIG. 6

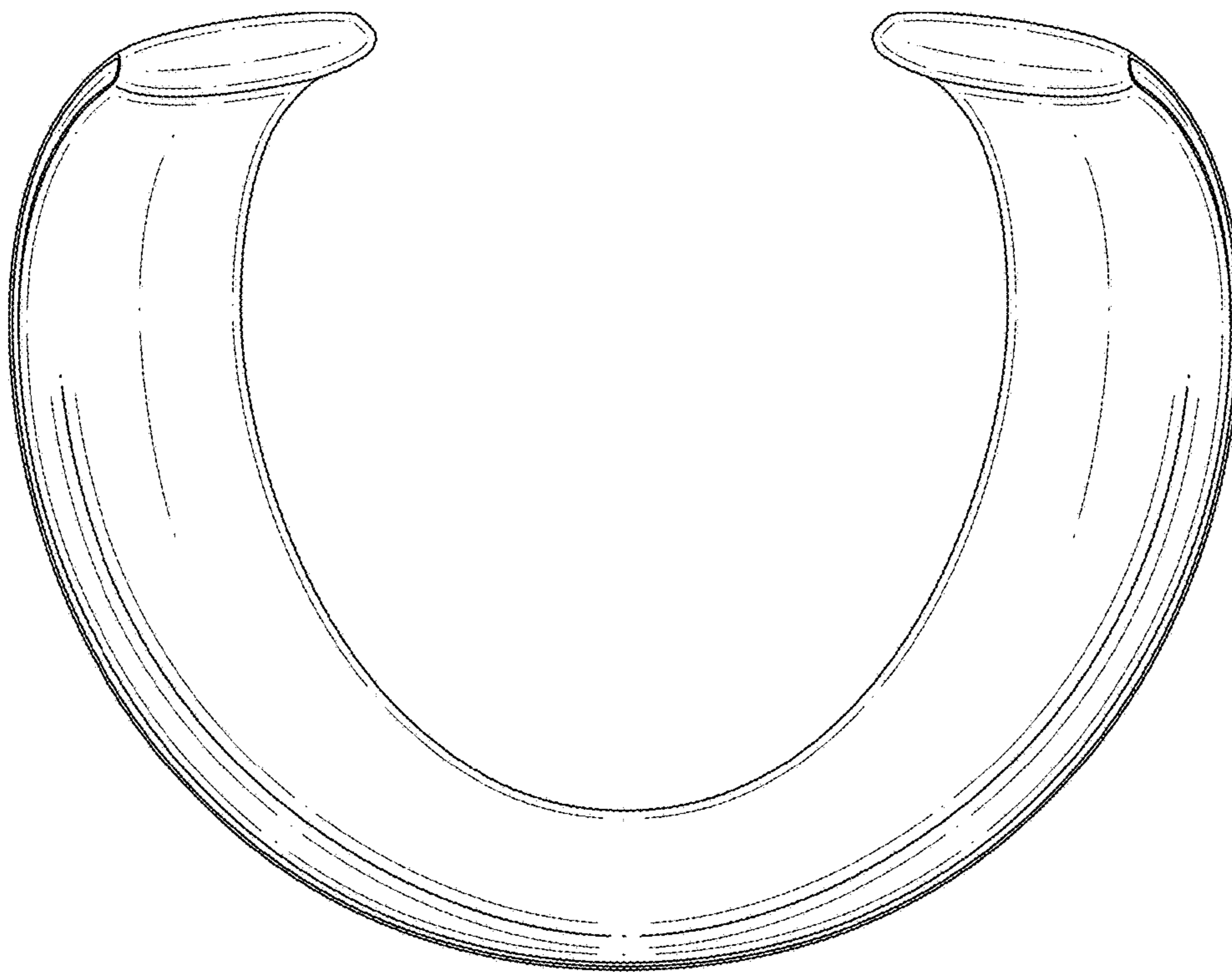


FIG. 7