

US00D831599S

(12) **United States Design Patent**
Chong et al.

(10) **Patent No.:** **US D831,599 S**
(45) **Date of Patent:** **** Oct. 23, 2018**

(54) **TV RECEIVER**
(71) Applicant: **LG ELECTRONICS INC., Seoul (KR)**
(72) Inventors: **Yuonui Chong, Seoul (KR); Sangho Lee, Seoul (KR); Hwayun Choi, Seoul (KR); Seonkyu Kim, Seoul (KR)**
(73) Assignee: **LG ELECTRONICS INC., Seoul (KR)**
(**) Term: **15 Years**
(21) Appl. No.: **35/503,343**
(22) Filed: **Jan. 13, 2017**
(80) **Hague Agreement Data**
Int. Filing Date: **Jan. 13, 2017**
Int. Reg. No.: **DM/094406**
Int. Reg. Date: **Jan. 13, 2017**
Int. Reg. Pub. Date: **Jul. 14, 2017**

(30) **Foreign Application Priority Data**
Jul. 18, 2016 (KR) 30-2016-0035002
(51) **LOC (11) Cl.** **14-03**
(52) **U.S. Cl.**
USPC **D14/126**
CPC **G06F 1/1601 (2013.01)**
(58) **Field of Classification Search**
USPC D14/126, 127, 128, 336, 448
CPC ... G06F 1/1601; G06F 1/1643; H05K 5/0004;
H05K 5/0017; H05K 5/02; H05K 5/0217
See application file for complete search history.

(56) **References Cited**
U.S. PATENT DOCUMENTS
D692,403 S * 10/2013 Takami D14/126
D700,586 S * 3/2014 Kim D14/126

D703,168 S * 4/2014 Won D14/126
D714,238 S * 9/2014 Kim D14/126
D719,119 S * 12/2014 Park D14/126
D720,315 S * 12/2014 Kim D14/126
D722,033 S * 2/2015 Kim D14/126
D722,989 S * 2/2015 Park D14/126
D733,082 S * 6/2015 Hwangbo D14/126
D748,596 S * 2/2016 McManigal D14/126
D751,519 S * 3/2016 Ma D14/126
D754,086 S * 4/2016 Valeur D14/126
D755,140 S * 5/2016 Kim D14/126
D756,945 S * 5/2016 Kim D14/126
D768,100 S * 10/2016 Seo D14/126
D772,830 S * 11/2016 Kim D14/126
D773,419 S * 12/2016 Han D14/126
D774,484 S * 12/2016 Han D14/126
D775,094 S * 12/2016 Kim D14/126
D778,854 S * 2/2017 Lee D14/126
D778,855 S * 2/2017 Lee D14/126
D780,140 S * 2/2017 Kim D14/126
D782,991 S * 4/2017 Kim D14/126
D785,581 S * 5/2017 McManigal D14/126
D786,813 S * 5/2017 McManigal D14/126
D787,462 S * 5/2017 Shiono D14/126
D790,493 S * 6/2017 Han D14/126

(Continued)

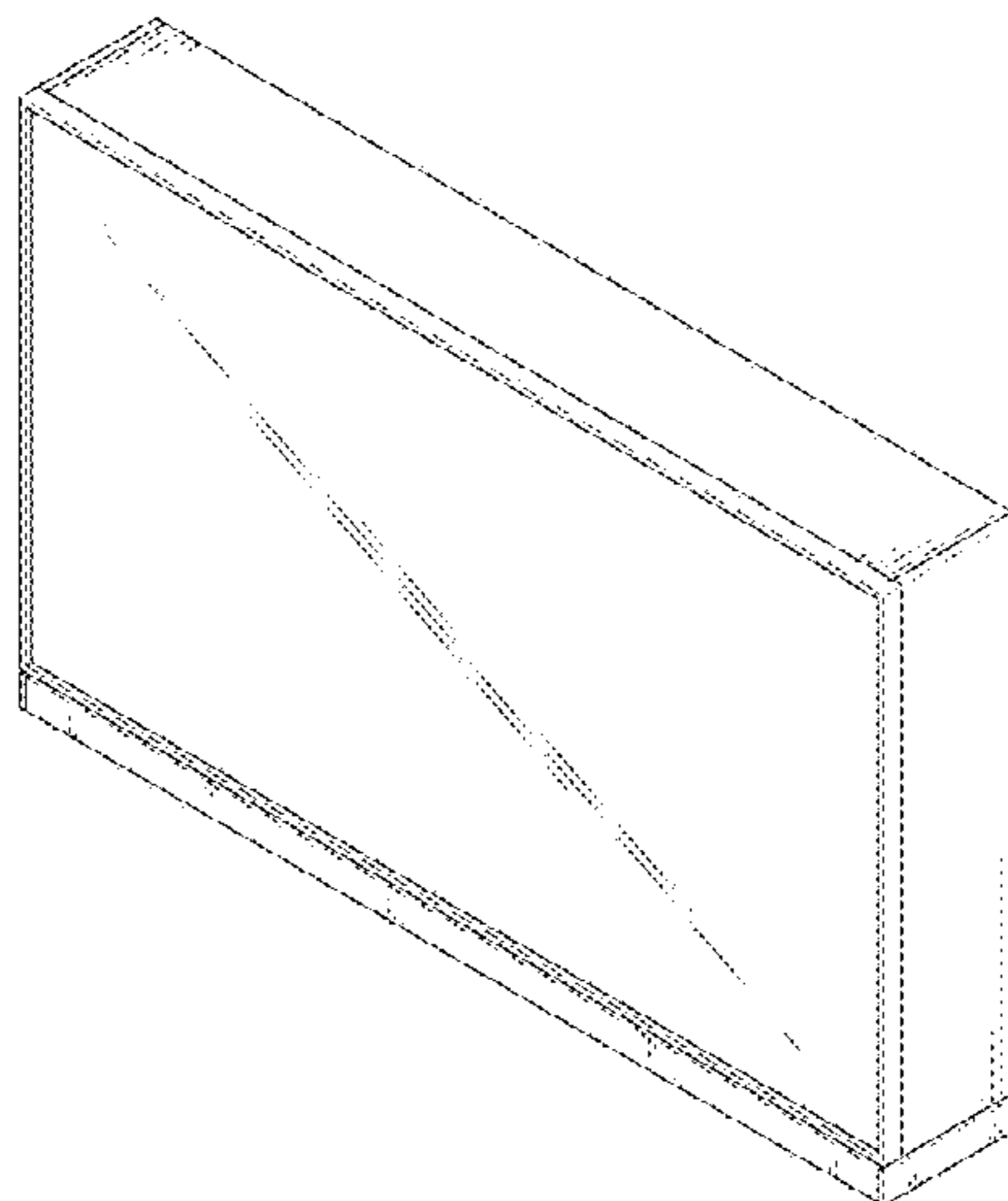
Primary Examiner — Richard E Chilcot
(74) *Attorney, Agent, or Firm* — Birch, Stewart, Kolasch & Birch, LLP

(57) **CLAIM**
The ornamental design for a TV receiver, as shown and described.

DESCRIPTION

- 1. TV receiver
- 1.1 : Perspective
- 1.2 : Front
- 1.3 : Back
- 1.4 : Left
- 1.5 : Right
- 1.6 : Top
- 1.7 : Bottom

1 Claim, 7 Drawing Sheets



(56)

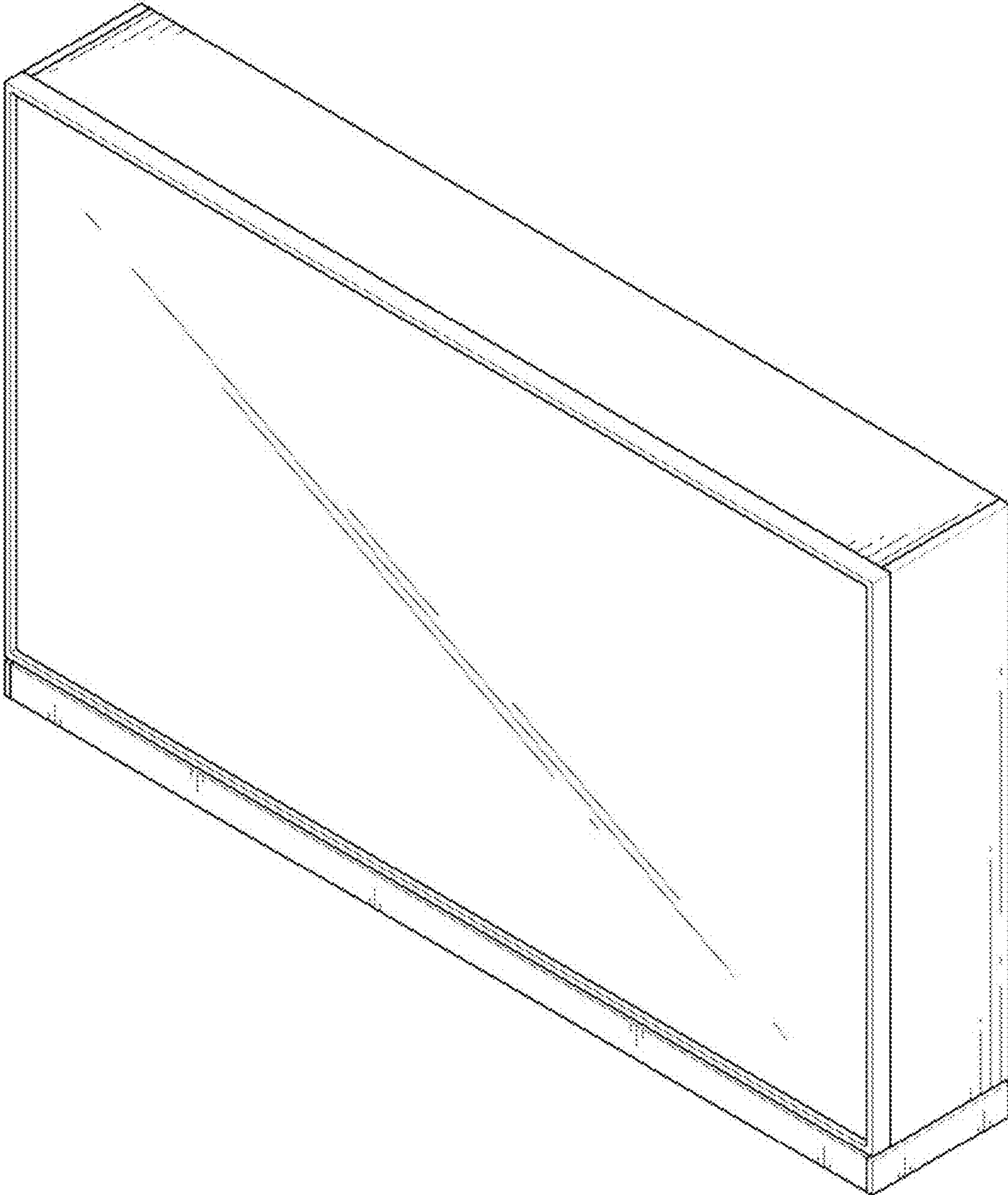
References Cited

U.S. PATENT DOCUMENTS

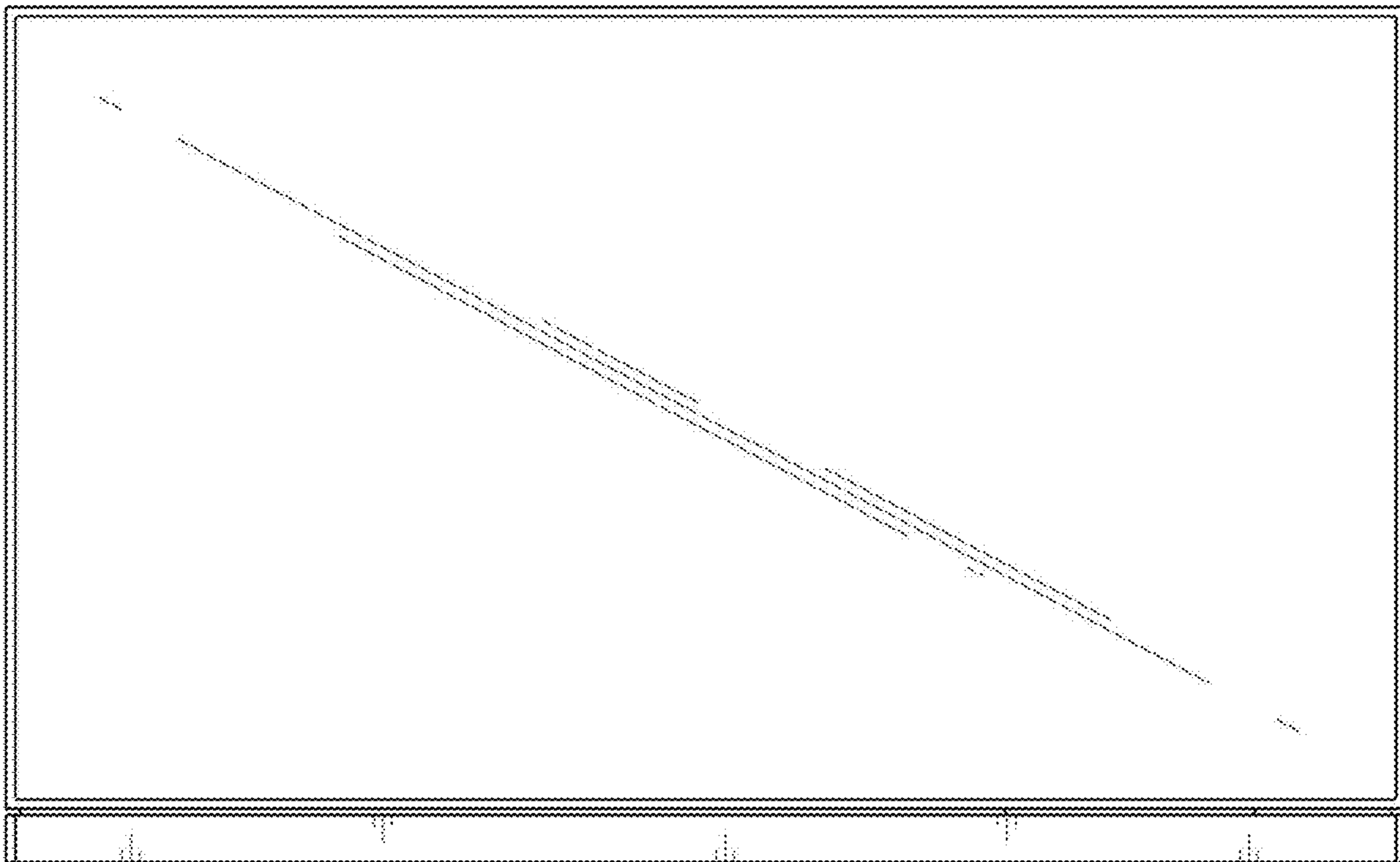
D792,361 S * 7/2017 Han D14/126

* cited by examiner

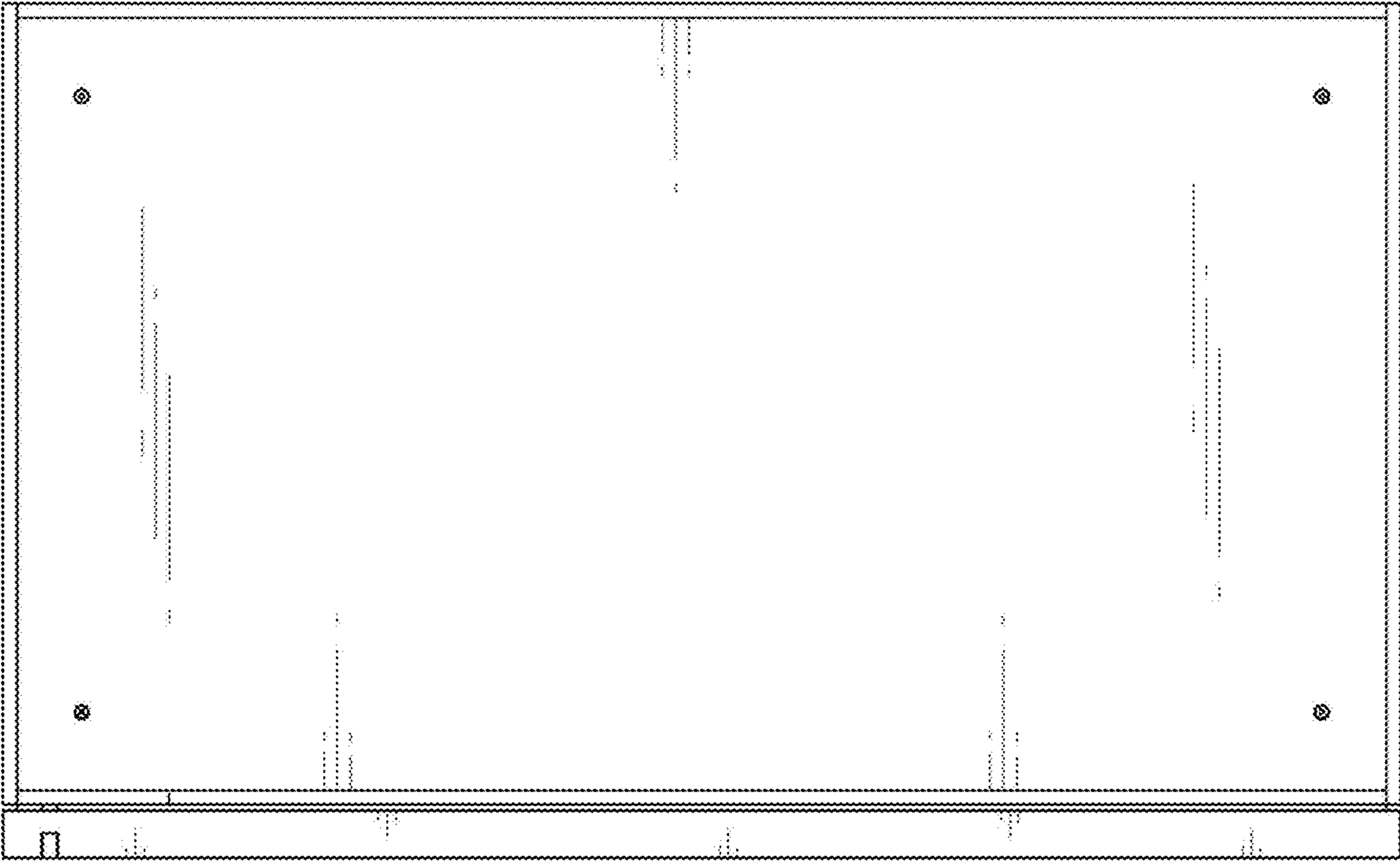
1.1



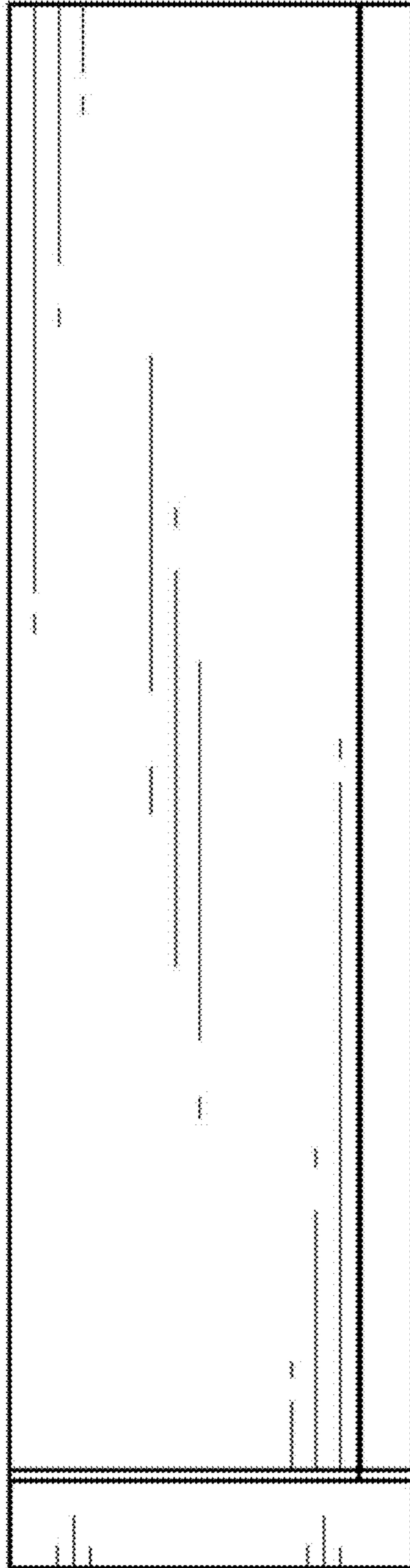
1.2



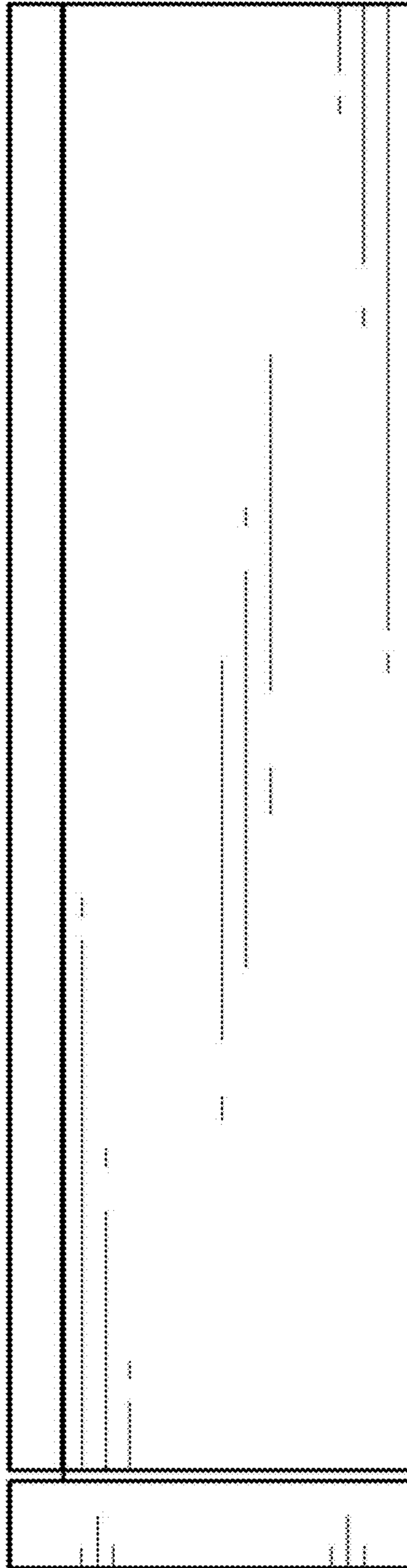
1.3



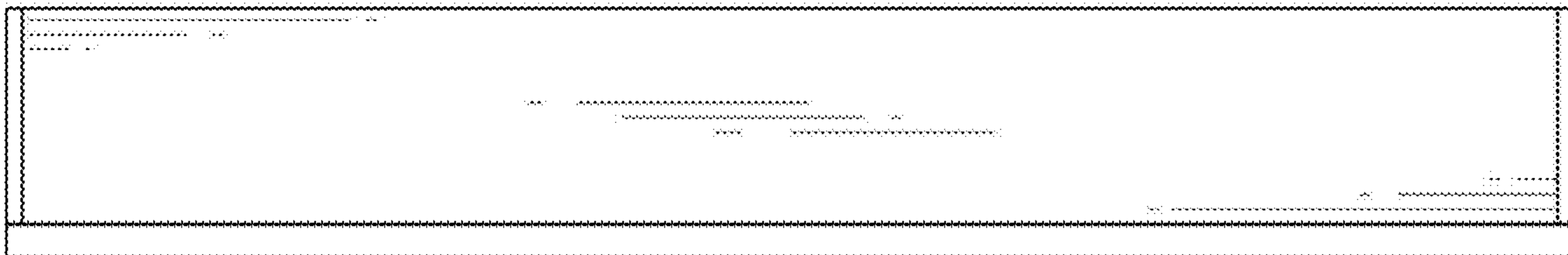
1.4



1.5



1.6



1.7

