



US00D831598S

(12) **United States Design Patent**
Jiang

(10) **Patent No.:** **US D831,598 S**

(45) **Date of Patent:** **** Oct. 23, 2018**

(54) **SMART PLAYER**

(71) Applicant: **Dongguan City Kangmao Electronics Co. Ltd.**, Dongguan, Guangdong (CN)

(72) Inventor: **Yue Jiang**, Dongguan (CN)

(73) Assignee: **Dongguan City Kangmao Electronics Co. Ltd.**, Dongguan (CN)

(**) Term: **15 Years**

(21) Appl. No.: **29/600,501**

(22) Filed: **Apr. 13, 2017**

(51) **LOC (11) Cl.** **14-03**

(52) **U.S. Cl.**
USPC **D14/125; D14/356**

(58) **Field of Classification Search**
USPC D14/356, 357, 358, 361, 362, 365, 367,
D14/370, 388, 432, 434, 203.1, 203.6,
D14/204, 240, 242, 299, 125, 129, 130,
D14/140, 155, 168, 188, 195, 300, 302,
D14/314, 348, 351, 496, 142, 167, 172;
D13/103, 107, 108, 123, 152, 158, 162,
D13/162.1, 163, 168, 184, 199;
D10/104.1, 106.6, 116.1, 61, 64, 75,
D10/106.9, 106.1

CPC H04N 21/00; H04N 21/20; H04N 21/40
See application file for complete search history.

(56) **References Cited**

U.S. PATENT DOCUMENTS

D438,856 S *	3/2001	Uehara	D14/203.1
D459,339 S *	6/2002	Tong	D14/197
D471,882 S *	3/2003	Lan	D14/125
D508,899 S *	8/2005	Suzuki	D14/125
D511,513 S *	11/2005	Nilsen	D14/240
D530,316 S *	10/2006	Hsu	D14/240
D548,731 S *	8/2007	Liu	D14/240
D599,339 S *	9/2009	Yau	D14/300
D599,341 S *	9/2009	Chen	D14/300
D641,327 S *	7/2011	Falakfarsa	D14/125

D675,569 S *	2/2013	Chang	D13/133
D686,201 S *	7/2013	Lee	D14/314
D710,824 S *	8/2014	Mackiewicz	D14/214
D716,296 S *	10/2014	Drew	D14/349
D718,271 S *	11/2014	McTague	D14/203.1
D730,893 S *	6/2015	Yin	D14/358
D737,819 S *	9/2015	Tsai	D14/365
D754,751 S *	4/2016	Kusano	D14/496
D756,338 S *	5/2016	Jou	D14/242
D760,223 S *	6/2016	Peng	D14/363
D765,073 S *	8/2016	Niizawa	D14/356
D768,589 S *	10/2016	Shin	D14/125

(Continued)

OTHER PUBLICATIONS

Data Transition and Set-Top boxes. (Design—© Questel) orbit.com. [online PDF] 17 pgs. Print Dates range from Nov. 16, 2011 to Oct. 12, 2016. [Retrieved on Mar. 19, 2018] <https://sobjprd.questel.fr/export/QPTUJ214/pdf2/1b91a33b-48df-4165-b005-c112ad2cfa07-160249.pdf>.*

Primary Examiner — Susan Bennett Hattan

Assistant Examiner — Marie D. Fast Horse

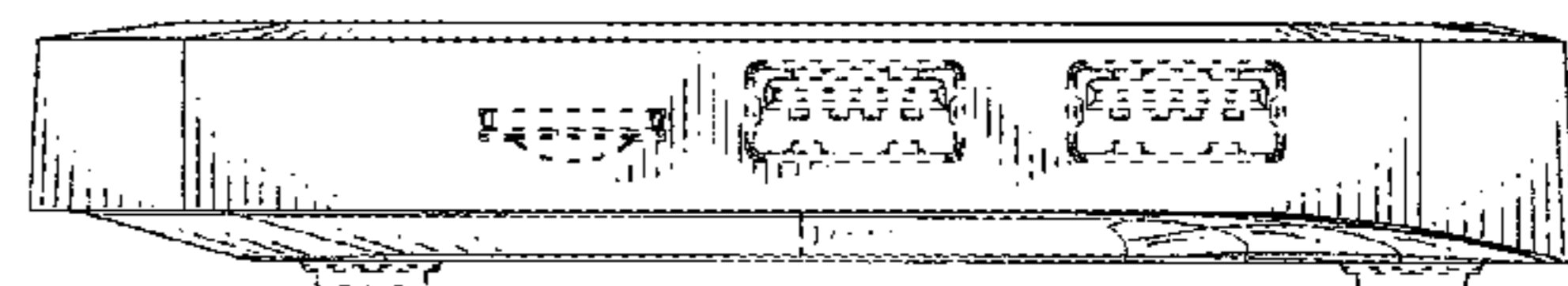
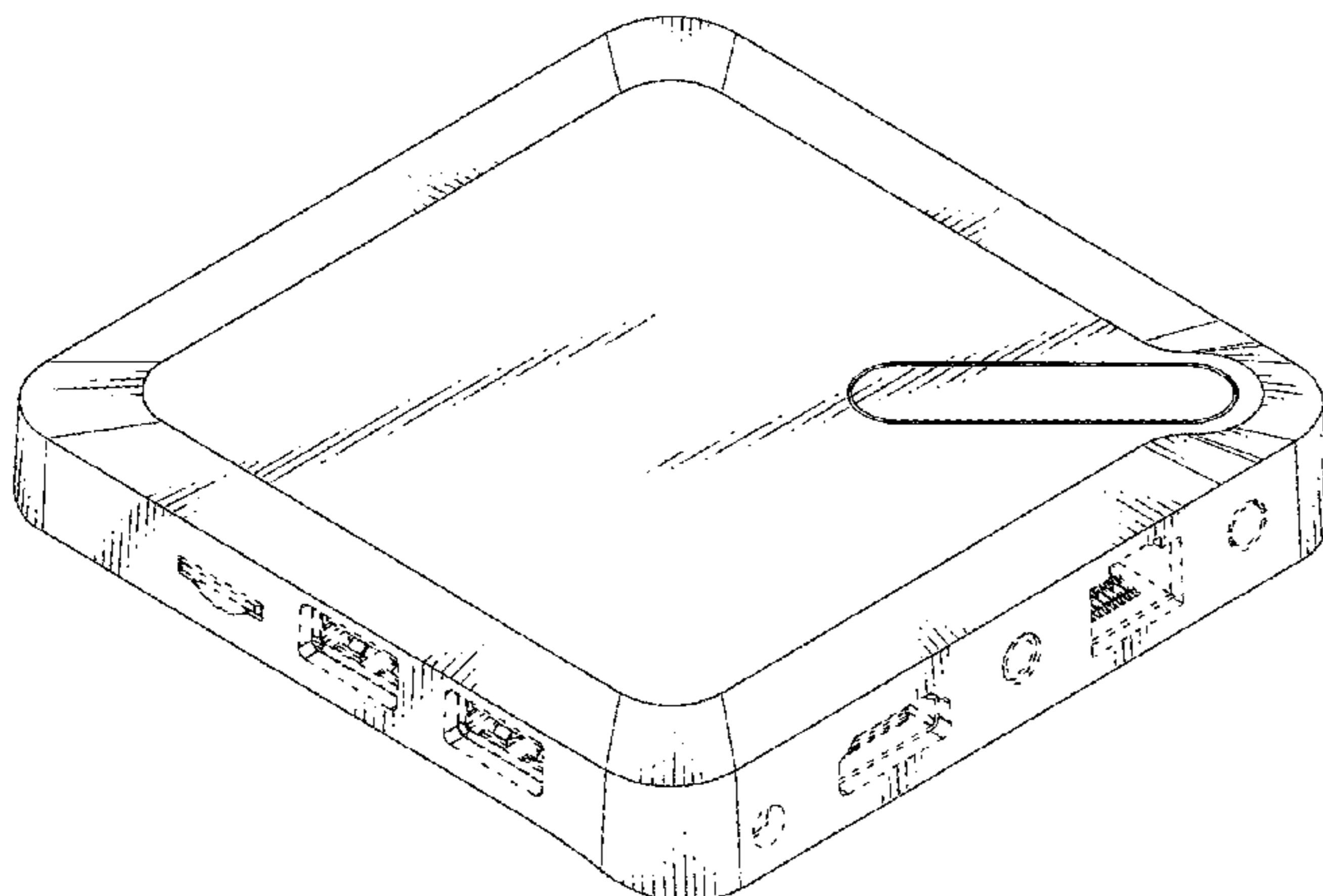
(57) **CLAIM**

I claim the ornamental design for a smart player, as shown and described.

DESCRIPTION

FIG. 1 is a perspective view of a smart player showing my new design;
FIG. 2 is another perspective view thereof;
FIG. 3 is a front elevational view thereof;
FIG. 4 is a rear elevational view thereof;
FIG. 5 is a left side elevational view thereof;
FIG. 6 is a right side elevational view thereof;
FIG. 7 is a top plan view thereof; and,
FIG. 8 is a bottom plan view thereof.
In the drawings, the broken lines illustrate portions of the article that form no part of the claimed design.

1 Claim, 6 Drawing Sheets



(56)

References Cited

U.S. PATENT DOCUMENTS

D777,724 S *	1/2017	Sterzick	D14/348
D780,137 S *	2/2017	Tallqvist	D14/125
D785,608 S *	5/2017	Weaver	D14/240
D811,355 S *	2/2018	Lan	D14/125

* cited by examiner

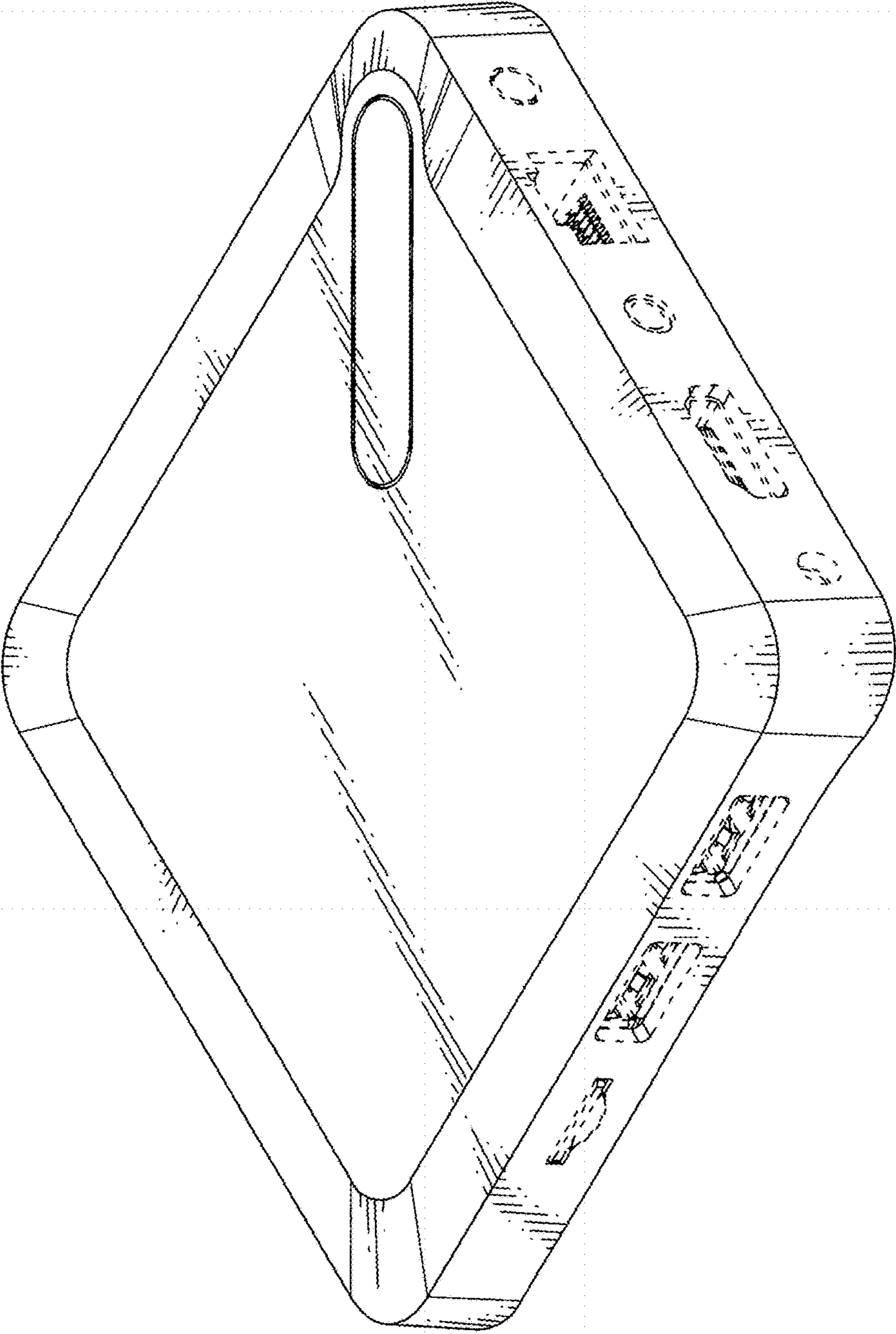


Fig.1

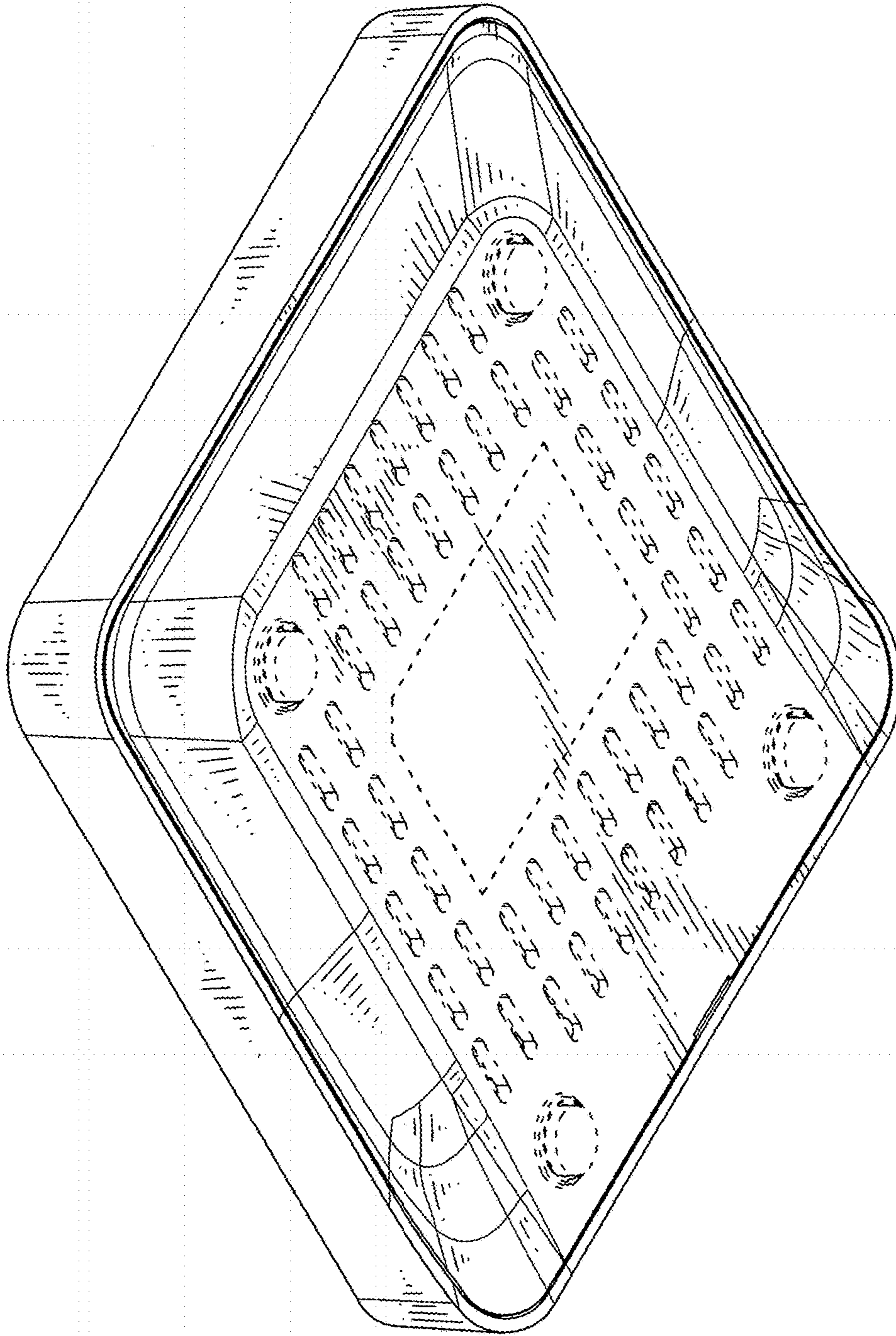


Fig.2

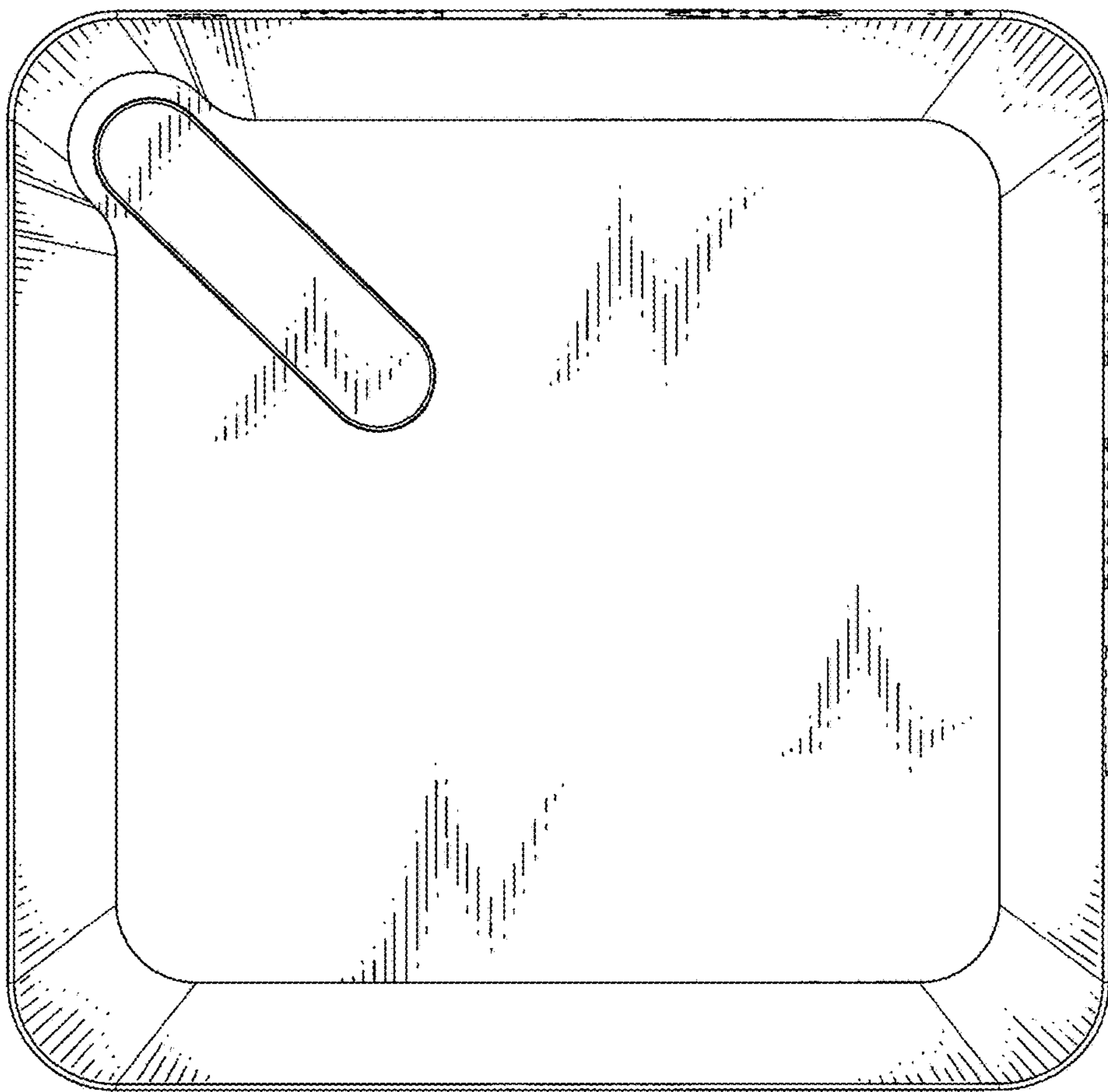


Fig.3

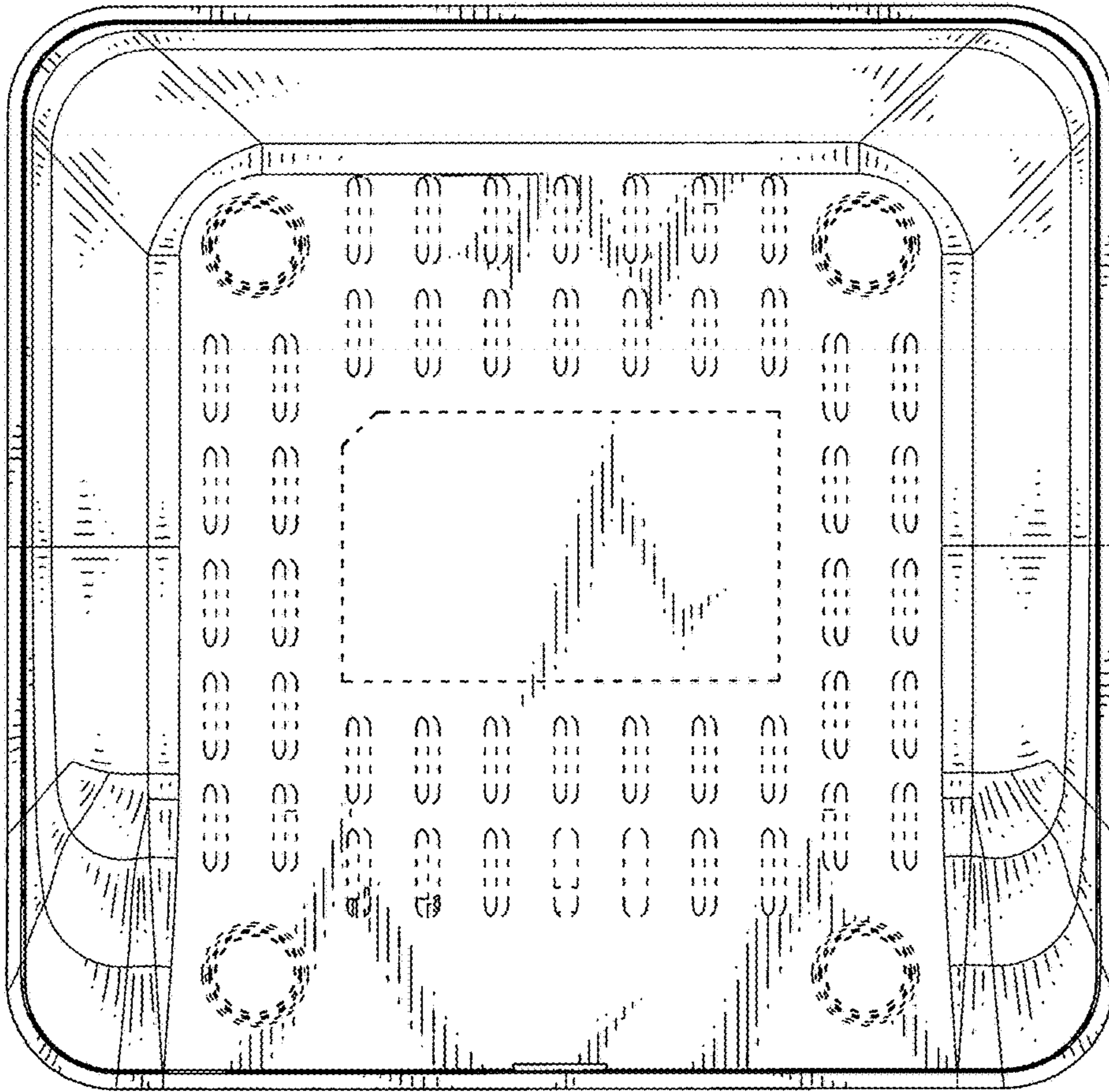


Fig.4

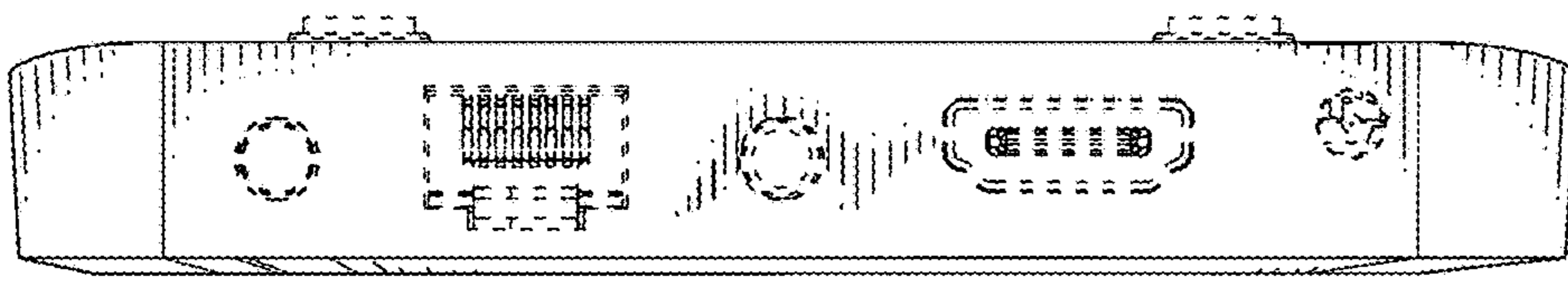


Fig.6

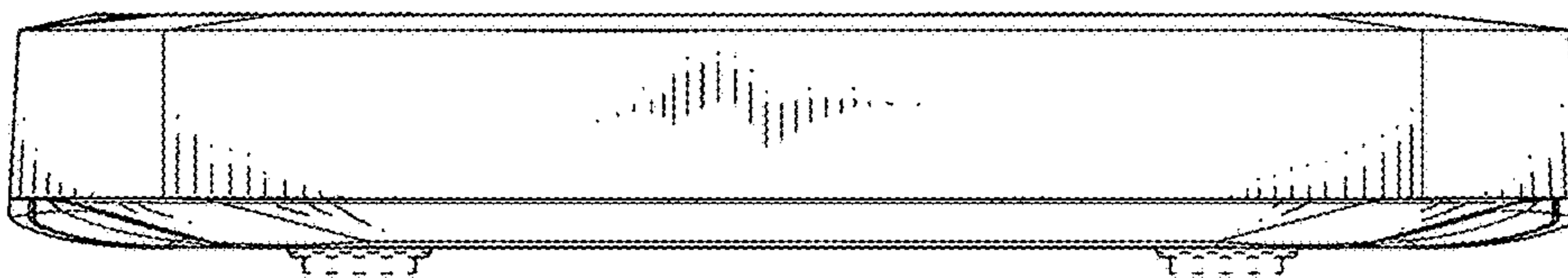


Fig.5

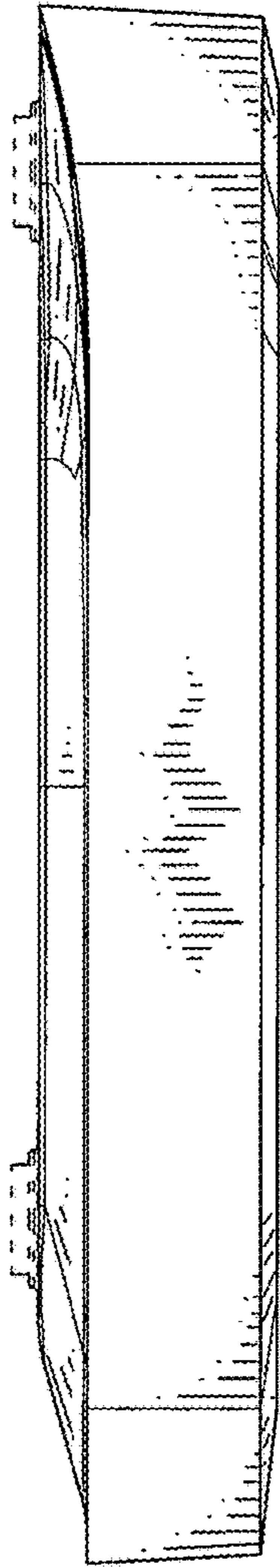


Fig.7

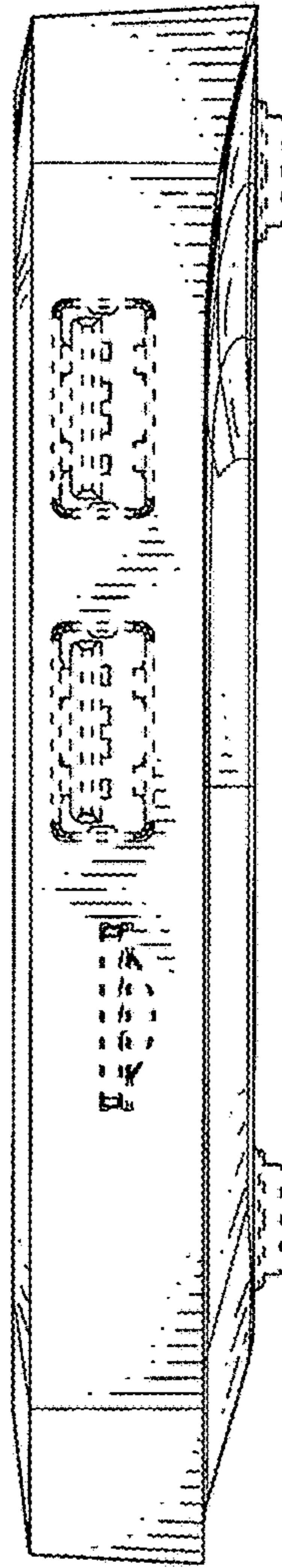


Fig.8