



US00D831595S

(12) **United States Design Patent** (10) **Patent No.:** **US D831,595 S**  
**Mittleman et al.** (45) **Date of Patent:** **\*\* Oct. 23, 2018**

(54) **MAGNET MOUNT**

4,439,643 A 3/1984 Schweizer  
D296,013 S 5/1988 Layne et al.  
5,039,366 A 8/1991 Strattman

(71) Applicant: **GOOGLE LLC**, Mountain View, CA (US)

(Continued)

(72) Inventors: **Adam Duckworth Mittleman**, Redwood City, CA (US); **Jason Evans Goulden**, Los Gatos, CA (US); **Nicholas Webb**, Menlo Park, CA (US); **Gregory Daniel Louis Germe**, Oakland, CA (US); **William Raeming Dong**, Palo Alto, CA (US); **Rochus Jacob**, San Francisco, CA (US); **Poll Shih**, New Taipei (TW)

FOREIGN PATENT DOCUMENTS

CN 303729172 6/2016  
EM 003361435-001 9/2016

(Continued)

(73) Assignee: **GOOGLE LLC**, Mountain View, CA (US)

OTHER PUBLICATIONS

Nest Learning Thermostat posted by Detriot Borg posted date Feb. 10, 2012, © YouTube, [online], [site visited Sep. 18, 2017]. Available from Internet, <https://www.youtube.com/watch?v=KrgcOL4oLzc>.\*

(Continued)

(\*\*) Term: **15 Years**

*Primary Examiner* — Robin V Webster

*Assistant Examiner* — Laura H Yu

(21) Appl. No.: **29/570,406**

(74) *Attorney, Agent, or Firm* — Morgan, Lewis & Bockius LLP

(22) Filed: **Jul. 7, 2016**

(51) **LOC (11) Cl.** ..... **13-99**

(52) **U.S. Cl.**  
USPC ..... **D13/183**

(58) **Field of Classification Search**  
USPC ..... D13/183; D9/418; D6/314;  
D21/311-323, 398, 404, 478, 484-505;  
446/92  
CPC ..... A63H 33/04; A63H 33/046; A63F  
2009/1033  
See application file for complete search history.

(57) **CLAIM**

The ornamental design for a magnet mount, as shown and described.

**DESCRIPTION**

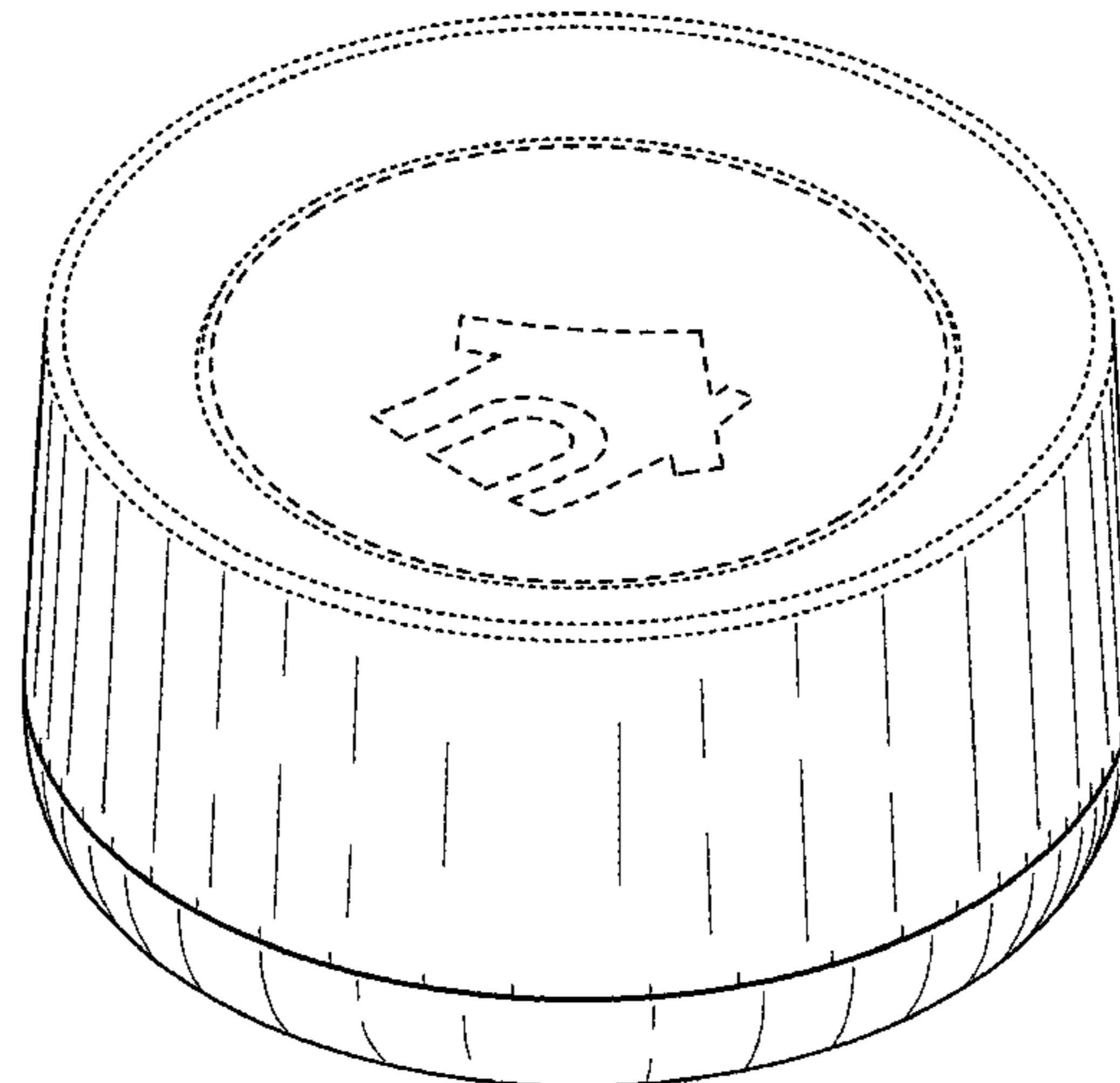
FIG. 1 is a top perspective view of our new design of a magnet mount;  
FIG. 2 is a bottom perspective view thereof;  
FIG. 3 is a top view thereof;  
FIG. 4 is a bottom view thereof;  
FIG. 5 is a first side view thereof;  
FIG. 6 is a second side view thereof; and,  
FIG. 7 is a third side view thereof.  
The broken lines, including those showing a logo, in the above described FIGS. 1-7 are for illustrative purposes only, depict environmental matter only, and form no part of the claimed design.

(56) **References Cited**

U.S. PATENT DOCUMENTS

1,934,911 A 11/1933 Campbell  
D234,218 S 1/1975 Donato  
3,906,592 A 9/1975 Sakasegawa et al.  
4,309,096 A 1/1982 Sethi  
D268,672 S 4/1983 McPherson

**1 Claim, 7 Drawing Sheets**



(56)

References Cited

U.S. PATENT DOCUMENTS

D349,714 S 8/1994 Hasegawa  
 D353,904 S 12/1994 Swanson  
 5,439,387 A 8/1995 Hayashi  
 5,441,224 A 8/1995 Ludwig  
 5,482,234 A 1/1996 Lyon  
 D390,482 S \* 2/1998 Pasquarette ..... D10/50  
 D399,584 S 10/1998 Giese et al.  
 6,007,136 A 12/1999 Zittwitz et al.  
 D427,696 S 7/2000 Scott et al.  
 D431,307 S 9/2000 Zelina, Jr. et al.  
 D433,994 S 11/2000 Jobs et al.  
 6,176,142 B1 1/2001 Ericson  
 6,196,915 B1 3/2001 Schiedegger et al.  
 D440,330 S 4/2001 Scott et al.  
 6,234,277 B1 5/2001 Kaczmarek  
 6,732,983 B1 5/2004 Blake et al.  
 D506,565 S 6/2005 Yurich  
 D509,842 S 9/2005 Ou  
 D528,576 S 9/2006 Chung et al.  
 7,162,790 B1 1/2007 Daniels  
 D537,784 S 3/2007 Suckle et al.  
 D553,659 S 10/2007 Kweon  
 D554,171 S 10/2007 Deng  
 D593,071 S \* 5/2009 Laituri ..... D14/216  
 7,641,161 B2 1/2010 Bauer  
 D623,594 S 9/2010 Akana et al.  
 D640,721 S 6/2011 Satine  
 D644,259 S 8/2011 Barley et al.  
 D659,282 S 5/2012 Richmond  
 D659,497 S \* 5/2012 Blazevic ..... D8/34  
 D662,122 S 6/2012 Goodwin et al.  
 D670,426 S 11/2012 Bouroullec et al.  
 D691,587 S \* 10/2013 Ferber ..... D14/216  
 D697,481 S 1/2014 Akana et al.  
 D700,075 S 2/2014 Bould et al.  
 D708,378 S 6/2014 Recker et al.  
 D720,755 S 1/2015 Nokuo  
 D729,773 S 5/2015 Salojarvi et al.  
 9,024,581 B2 5/2015 McGinley  
 D737,762 S 9/2015 Aumiller et al.  
 D742,573 S 11/2015 Kern et al.  
 D742,884 S 11/2015 Seflic et al.  
 D743,468 S 11/2015 Ribeiro et al.  
 D743,954 S 11/2015 Chuang et al.  
 9,190,767 B2 11/2015 Makimura  
 D747,524 S 1/2016 Jacq et al.  
 D750,980 S \* 3/2016 Takach ..... D10/50  
 9,300,078 B2 3/2016 Liu  
 D754,233 S 4/2016 Du et al.  
 D755,184 S 5/2016 Uranga et al.  
 D757,587 S 5/2016 Li  
 9,353,487 B1 5/2016 Szekely  
 D761,343 S 7/2016 Schmidt et al.  
 9,388,934 B1 7/2016 Kilgore et al.  
 D764,320 S 8/2016 Li  
 9,437,962 B2 9/2016 Liu  
 9,451,727 B2 9/2016 Tolbert et al.  
 D768,604 S \* 10/2016 Flowers ..... D13/108  
 D769,246 S 10/2016 Mielnik et al.  
 9,515,414 B1 12/2016 Liu  
 D776,659 S 1/2017 Hou  
 D776,850 S 1/2017 Hodgson  
 D777,672 S 1/2017 Park et al.  
 9,556,641 B2 1/2017 Milanowski  
 D778,973 S 2/2017 Lee et al.  
 D783,609 S 4/2017 Mikelson  
 D784,263 S 4/2017 Xu  
 D785,632 S 5/2017 VanDuyn et al.  
 D785,693 S 5/2017 Kim  
 D786,875 S 5/2017 Kaminaga  
 D788,112 S 5/2017 Liao  
 D788,708 S 6/2017 Vo et al.  
 D788,777 S 6/2017 Bargetzi  
 D789,371 S 6/2017 Iwamoto et al.  
 D790,620 S 6/2017 Lee et al.

D791,740 S \* 7/2017 Fuller ..... D14/204  
 D794,028 S 8/2017 Lin  
 D795,941 S 8/2017 Dimitriadis et al.  
 D796,513 S 9/2017 Feldstein et al.  
 9,771,985 B2 9/2017 Peterson et al.  
 D808,392 S 1/2018 Bo  
 D810,086 S 2/2018 Xie  
 D810,087 S 2/2018 Xie  
 2004/0251392 A1 12/2004 Franks, Jr.  
 2007/0184708 A1 8/2007 Murakami  
 2008/0218092 A1 9/2008 Chang et al.  
 2009/0061694 A1 3/2009 Kawasaki  
 2009/0088010 A1 4/2009 Smith  
 2010/0124834 A1 5/2010 De Chazal et al.  
 2011/0053394 A1 3/2011 Hood, III  
 2011/0181002 A1 7/2011 Fujita et al.  
 2012/0162929 A1 6/2012 Huang  
 2013/0023161 A9 1/2013 Youssefi-Shams et al.  
 2013/0130530 A1 5/2013 Casses et al.  
 2013/0203277 A1 8/2013 Gaubert  
 2013/0292477 A1 11/2013 Hennick et al.  
 2014/0073161 A1 3/2014 Winningham et al.  
 2014/0099811 A1 4/2014 Chiu  
 2015/0281650 A1 10/2015 Mohan

FOREIGN PATENT DOCUMENTS

KR 3009038650000 4/2017  
 KR 3009052050000 4/2017

OTHER PUBLICATIONS

Nest Learning Review posted by Lindsay Turrentine posted date Apr. 23, 2013, © CNET, [online], [site visited Sep. 18, 2017]. Available from Internet, <https://www.cnet.com/products/nest-learning-thermostat/review/>.\*

HMW posted by Heres My World posted date Oct. 28, 2016, © Amazon, [online], [site visited Sep. 18, 2017]. Available from Internet, [https://www.amazon.com/Pyramid-Bluetooth-Rechargeable-Hands-Free-Speakerphone/dp/B01JJ5KT3E/ref=sr\\_1\\_19?ie=UTF8&qid=1505758713&sr=8-19&keywords=bluetooth%2Bpuck&th=1](https://www.amazon.com/Pyramid-Bluetooth-Rechargeable-Hands-Free-Speakerphone/dp/B01JJ5KT3E/ref=sr_1_19?ie=UTF8&qid=1505758713&sr=8-19&keywords=bluetooth%2Bpuck&th=1).\*

Google, Office Action, CN 201630316676.1, dated Nov. 25, 2016, 2 pgs.

Google, Office Action, CN 201630316605.1, dated Nov. 24, 2016, 1 pg.

Google, EU Design Registration, 003303460-0001/0002, Oct. 14, 2016, 14 pgs.

Google, EU Design Registration, 003302330-0001/0002, Oct. 14, 2016, 16 pgs.

Google, EU Design Registration, 003304310-0001/0008, Oct. 20, 2016, 37 pgs.

Dropcam Pro, posted at Youtube.com, posted on Oct. 10, 2013, [online], [site visited Jun. 16, 2017]. Available from Internet, <<https://www.youtube.com/watch?v=NokAzHXsCQQ>> 1 pg.

Nest Cam Indoor security camera, posted at Amazon.com, posted on Jun. 17, 2015, [online], [site visited Jun. 16, 2017]. Available from Internet, <https://www.amazon.com/Nest-Cam-Indoor-security-camera/dp/BOOWBJGUA2> 1 pg.

Simplicam review, posted at Connectedly.com, posted on Nov. 26, 2014, [online], [site visited Jun. 16, 2017]. Available from Internet, <<https://www.connectedly.com/simplicam-review>> 1 pg.

Review of the googo camera HD, posted at Youtube.com, posted on Jun. 9, 2013, [online], [site visited Jun. 16, 2017]. Available from Internet, <<https://www.youtube.com/watch?v=R1c8Q6oDI9k>> 1 pg.

DropCapsule Pro for Dropcam Pro, announced Jun. 7, 2015 [online], [site visited Sep. 29, 2017], Available from Internet, URL: <<https://web.archive.org/web/20150607115212/http://www.connectedcrib.com/dropcapsule-pro-dropcam-pro/>>.

DIY Project Dropcam Pro outdoor enclosure, announced Oct. 20, 2014 [online], [site visited Sep. 29, 2017], Available from Internet,

(56)

**References Cited**

OTHER PUBLICATIONS

URL: <https://the-gadgeteer.com/2014/10/20/diy-project-dropcam-pro-outdoor-enclosure/>.

\* cited by examiner

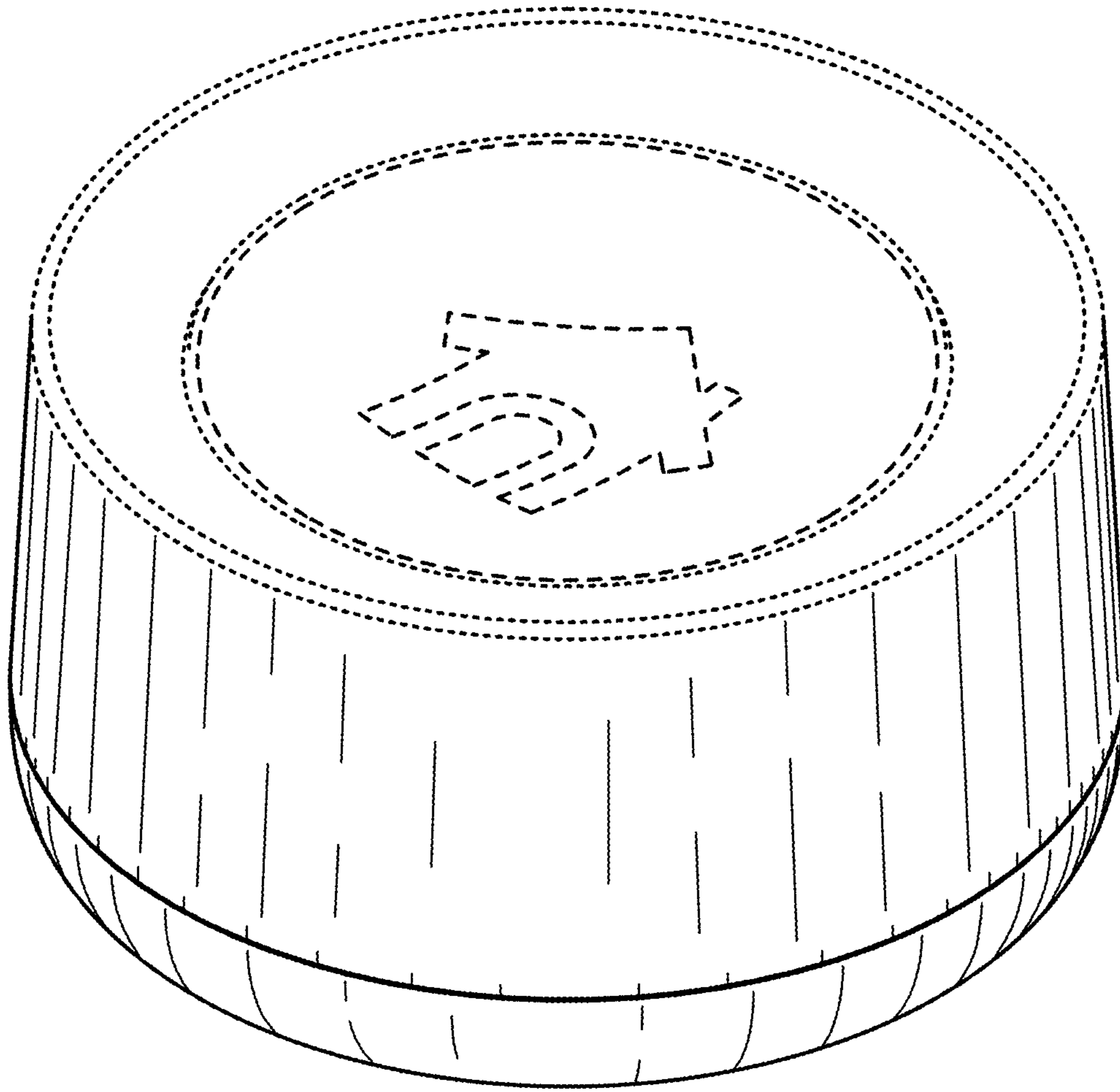


FIG. 1

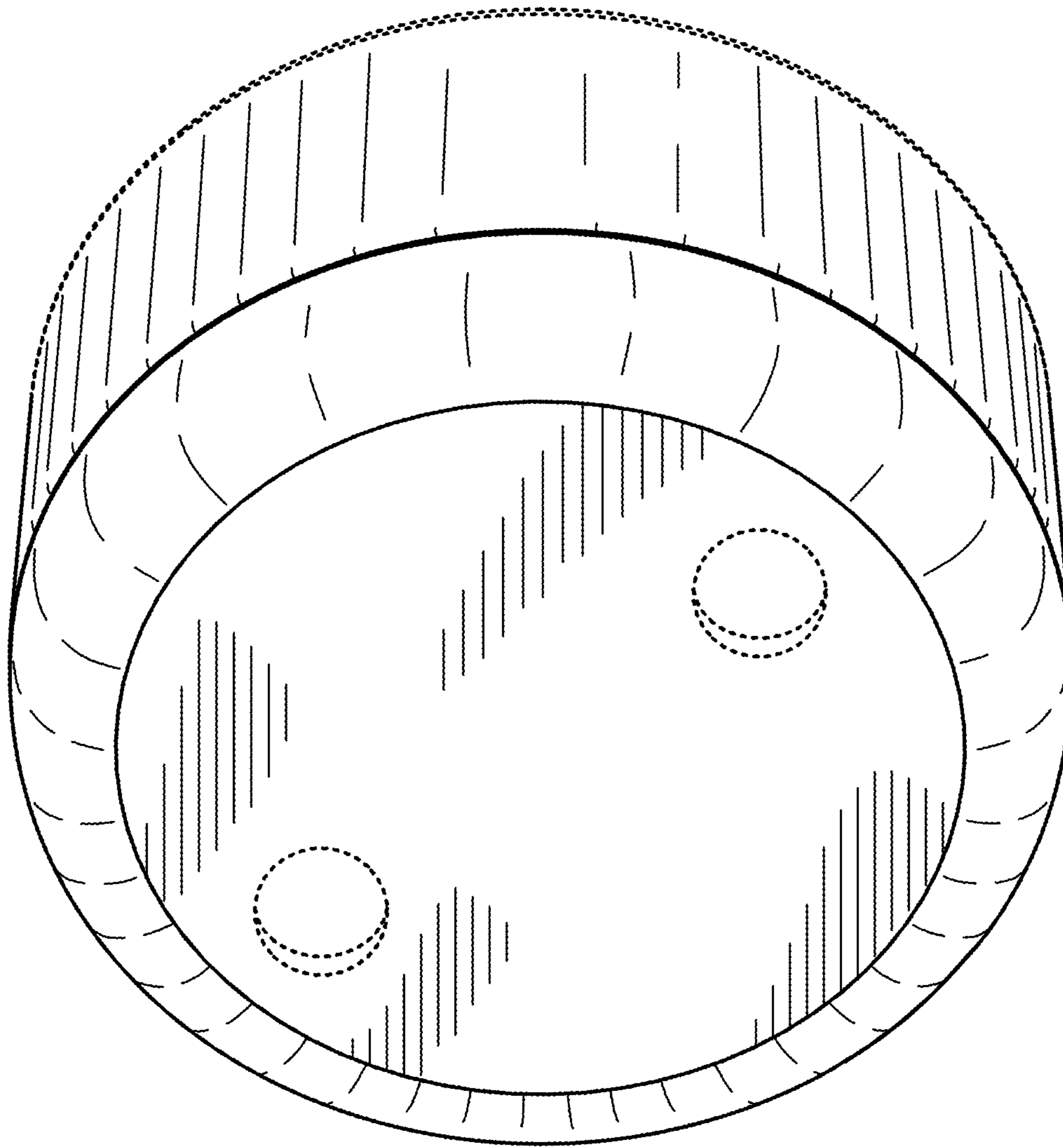


FIG. 2



FIG. 3

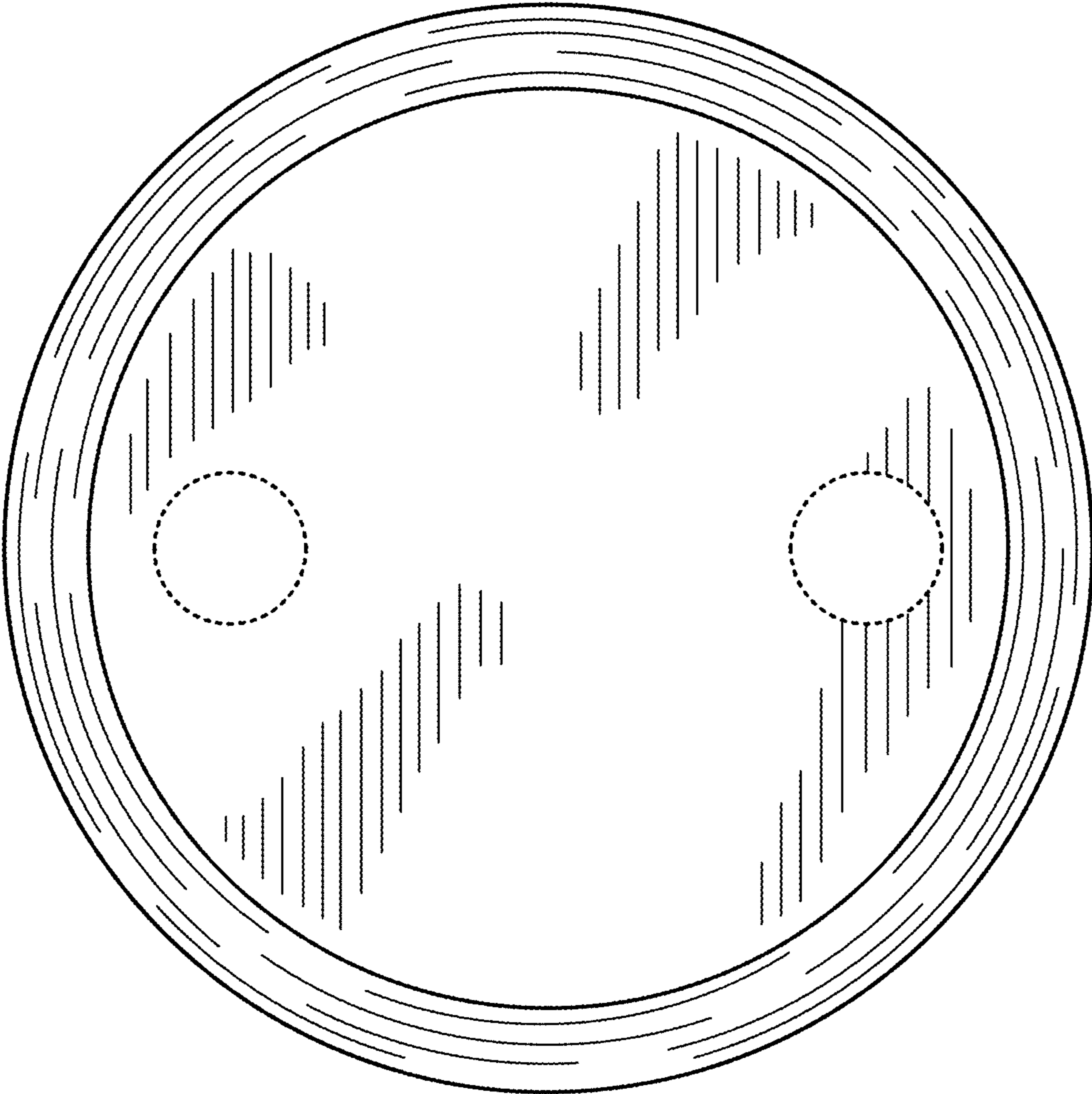


FIG. 4

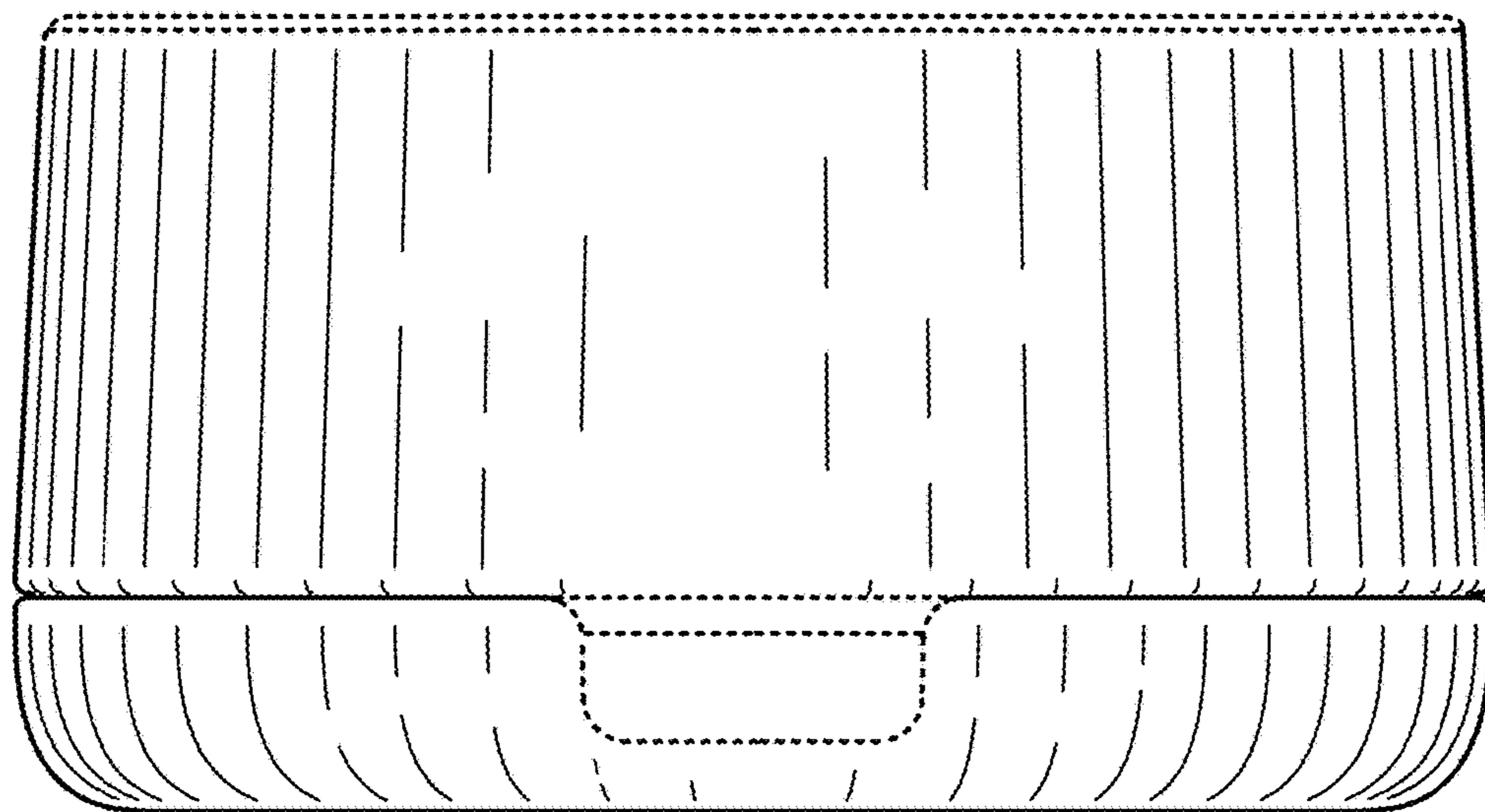


FIG. 5



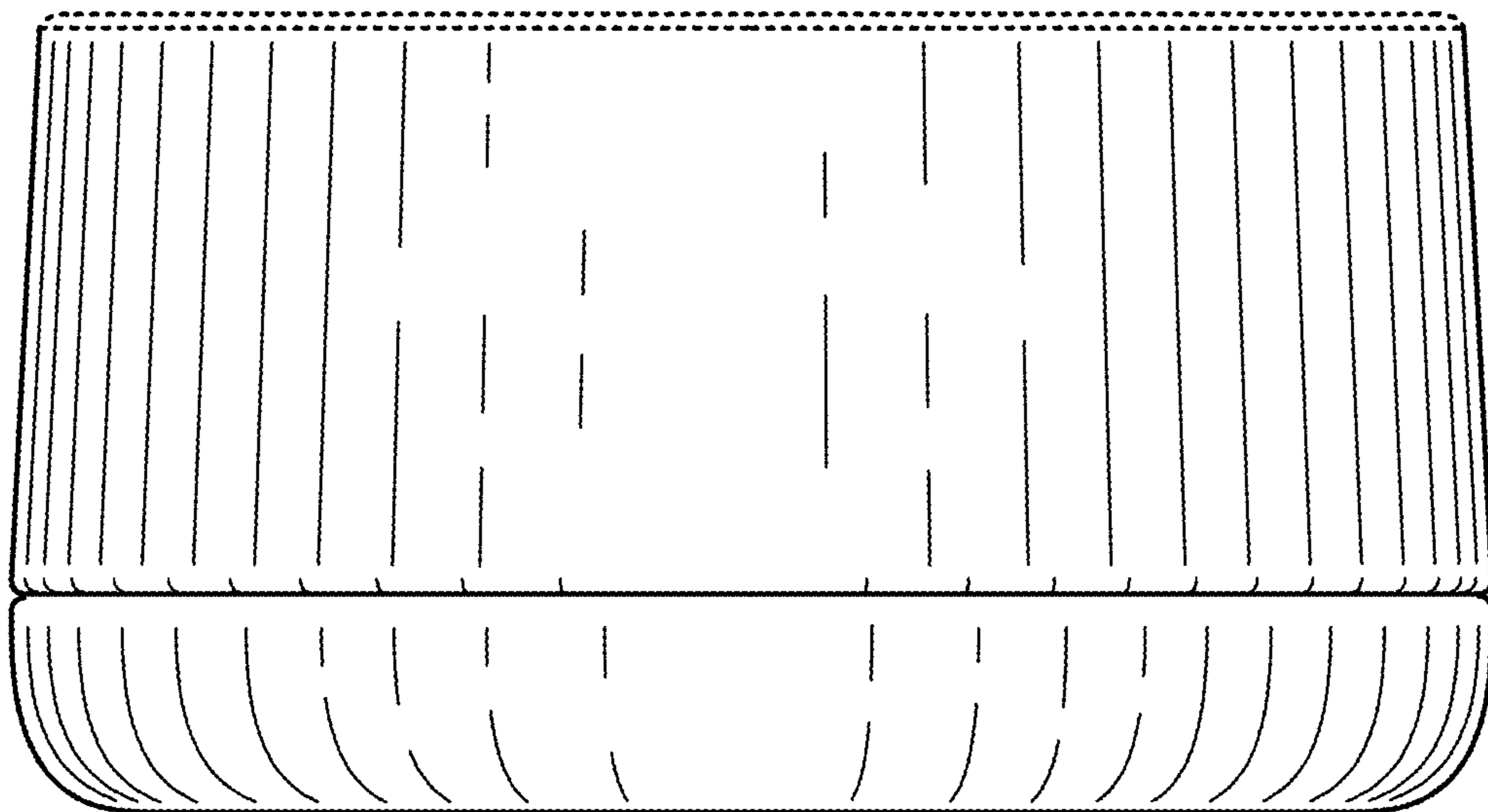


FIG. 6

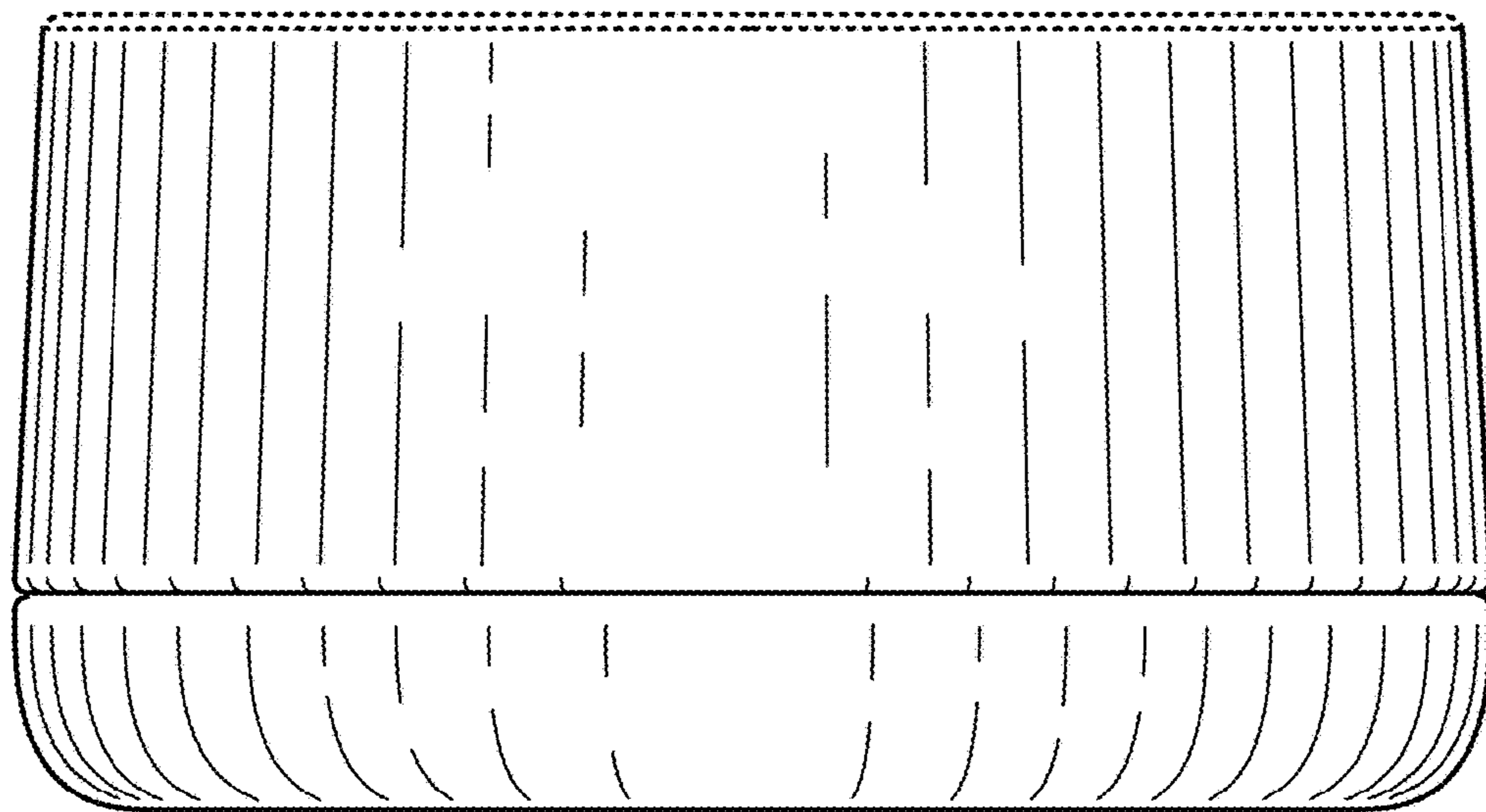


FIG. 7