



US00D831591S

(12) **United States Design Patent**
Iino

(10) **Patent No.:** **US D831,591 S**

(45) **Date of Patent:** **** Oct. 23, 2018**

- (54) **LIGHT EMITTING DIODE**
- (71) Applicants: **CITIZEN ELECTRONICS CO., LTD.**, Fujiyoshida-shi, Yamanashi (JP); **CITIZEN WATCH CO., LTD.**, Tokyo (JP)
- (72) Inventor: **Takashi Iino**, Fuefuki (JP)
- (73) Assignees: **CITIZEN ELECTRONICS CO., LTD.**, Yamanashi (JP); **CITIZEN WATCH CO., LTD.**, Tokyo (JP)

D676,000 S	2/2013	Hussell et al.	
D689,451 S	9/2013	Shimonishi et al.	
D698,322 S	1/2014	Takeda et al.	
D700,585 S	3/2014	Takeda et al.	
D706,231 S	6/2014	Hussell et al.	
D707,192 S *	6/2014	Hussell	D13/180
D709,041 S *	7/2014	Yu	D13/180
D712,850 S	9/2014	Welch et al.	
D717,252 S	11/2014	Takeda et al.	
D721,339 S	1/2015	Hussell et al.	
9,029,905 B2 *	5/2015	Lin	H01L 33/52 257/99
9,130,140 B2 *	9/2015	Tsuchiya	H01L 33/641
9,203,004 B2 *	12/2015	Hussell	H01L 25/0753
9,209,354 B2 *	12/2015	Hussell	H01L 25/0753
D767,515 S *	9/2016	Eguchi	D13/180
D770,062 S *	10/2016	Peng	D13/180
D771,282 S *	11/2016	Takehara	D13/180
D776,304 S *	1/2017	Kuriki	D13/180

- (**) **Term:** **15 Years**
- (21) **Appl. No.:** **29/611,375**
- (22) **Filed:** **Jul. 20, 2017**

(Continued)

(30) **Foreign Application Priority Data**

Jan. 20, 2017 (JP) 2017-000883
 Jan. 20, 2017 (JP) 2017-000884

- (51) **LOC (11) Cl.** **13-03**
- (52) **U.S. Cl.**
USPC **D13/180**

- (58) **Field of Classification Search**
USPC D13/180; D26/1
CPC ... H01L 25/167; H01L 25/0753; H01L 27/15;
H01L 27/156; H01L 31/02; H01L 33/00;
H01L 33/04; H01L 33/08; H01L 33/10;
H01L 33/20; H01L 33/38; H01L 33/42;
H01L 33/48; H01L 33/483; H01L 33/486
See application file for complete search history.

(56) **References Cited**

U.S. PATENT DOCUMENTS

D573,553 S	7/2008	Uemoto et al.
D650,760 S	12/2011	Hussell et al.
D667,803 S	9/2012	Hussell et al.
D669,041 S	10/2012	Imai et al.

FOREIGN PATENT DOCUMENTS

JP H2305334900 11/2011

Primary Examiner — Selina Sikder

(74) *Attorney, Agent, or Firm* — Procopio, Cory, Hargreaves & Savitch LLP

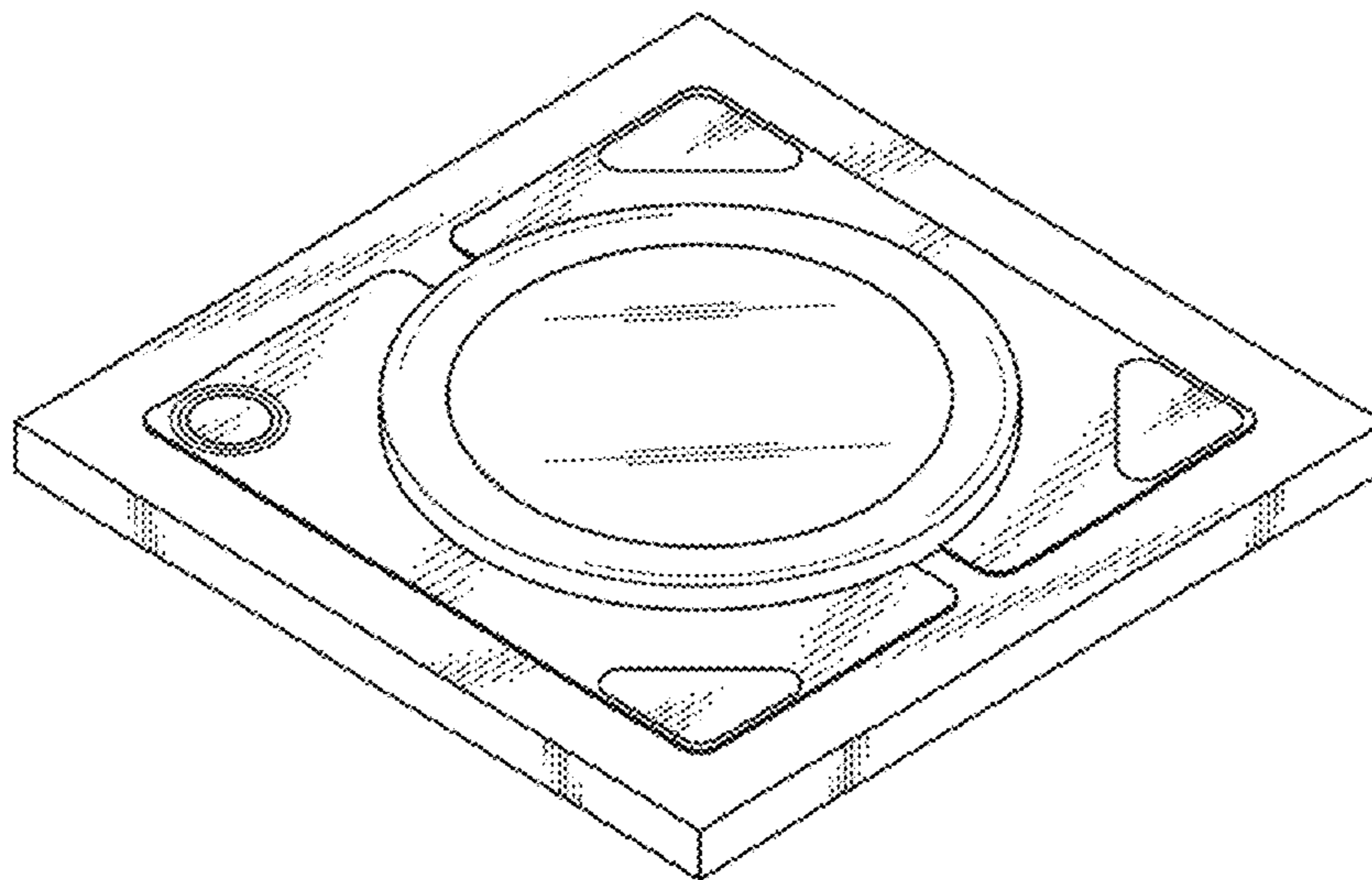
(57) **CLAIM**

The ornamental design for a light emitting diode, as shown and described.

DESCRIPTION

FIG. 1 is a perspective view of a light emitting diode showing my new design;
 FIG. 2 is a top plan view thereof;
 FIG. 3 is a front elevational view thereof;
 FIG. 4 is a rear elevational view thereof;
 FIG. 5 is a left side elevational view thereof;
 FIG. 6 is a right side elevational view thereof; and,
 FIG. 7 is a bottom plan view thereof.

1 Claim, 4 Drawing Sheets



(56)

References Cited

U.S. PATENT DOCUMENTS

D778,246	S *	2/2017	Kuriki	D13/180
D788,720	S *	6/2017	Akiyama	D13/180
D796,457	S *	9/2017	Funakubo	D13/180
D816,623	S *	5/2018	Parekh	D13/182
2007/0246730	A1 *	10/2007	Oishi	H01L 33/64 257/99
2010/0320483	A1 *	12/2010	Kadotani	F21K 9/00 257/88
2015/0146425	A1 *	5/2015	Huang	F21K 9/00 362/249.02

* cited by examiner

FIG. 1

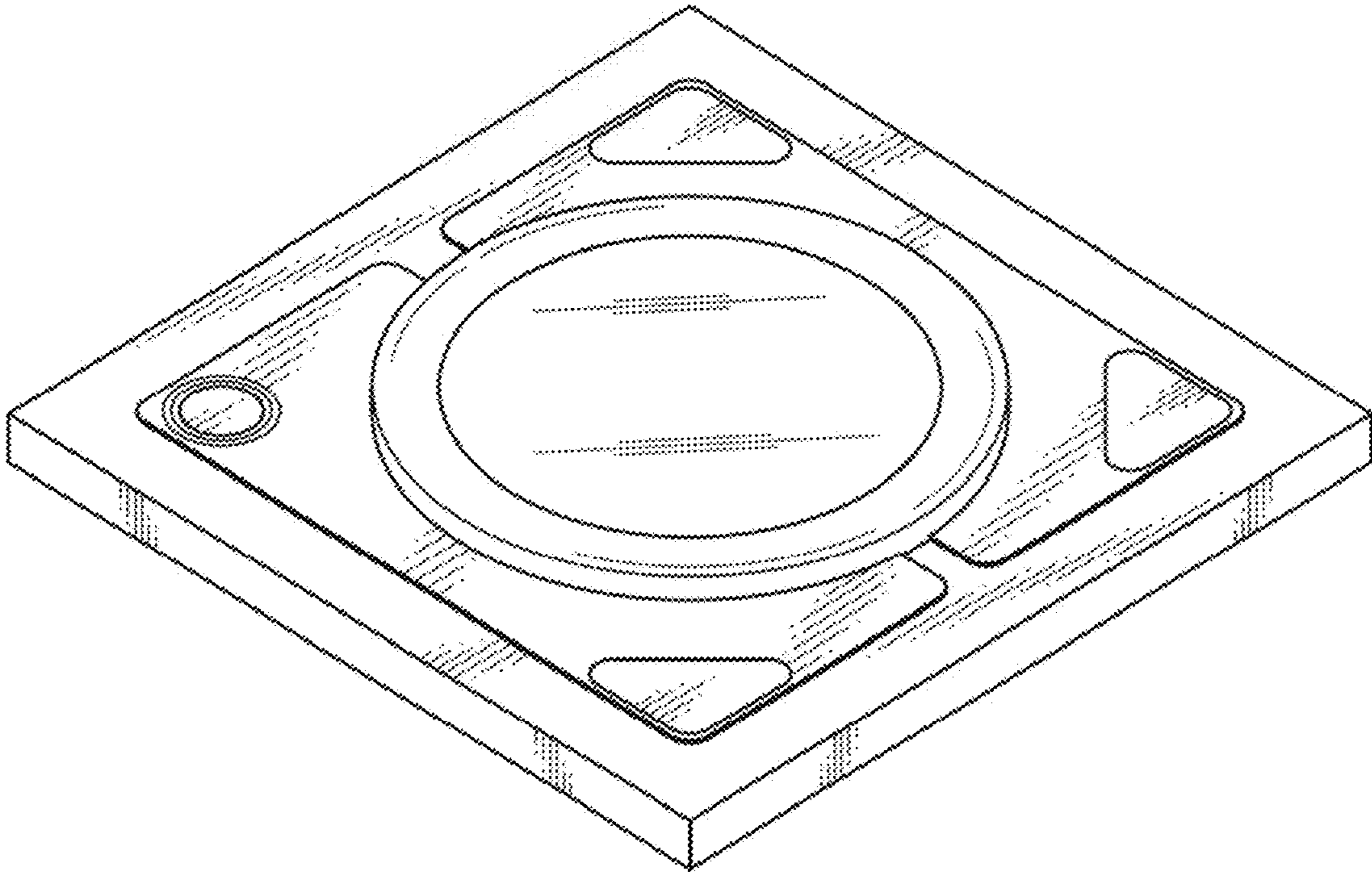


FIG. 2

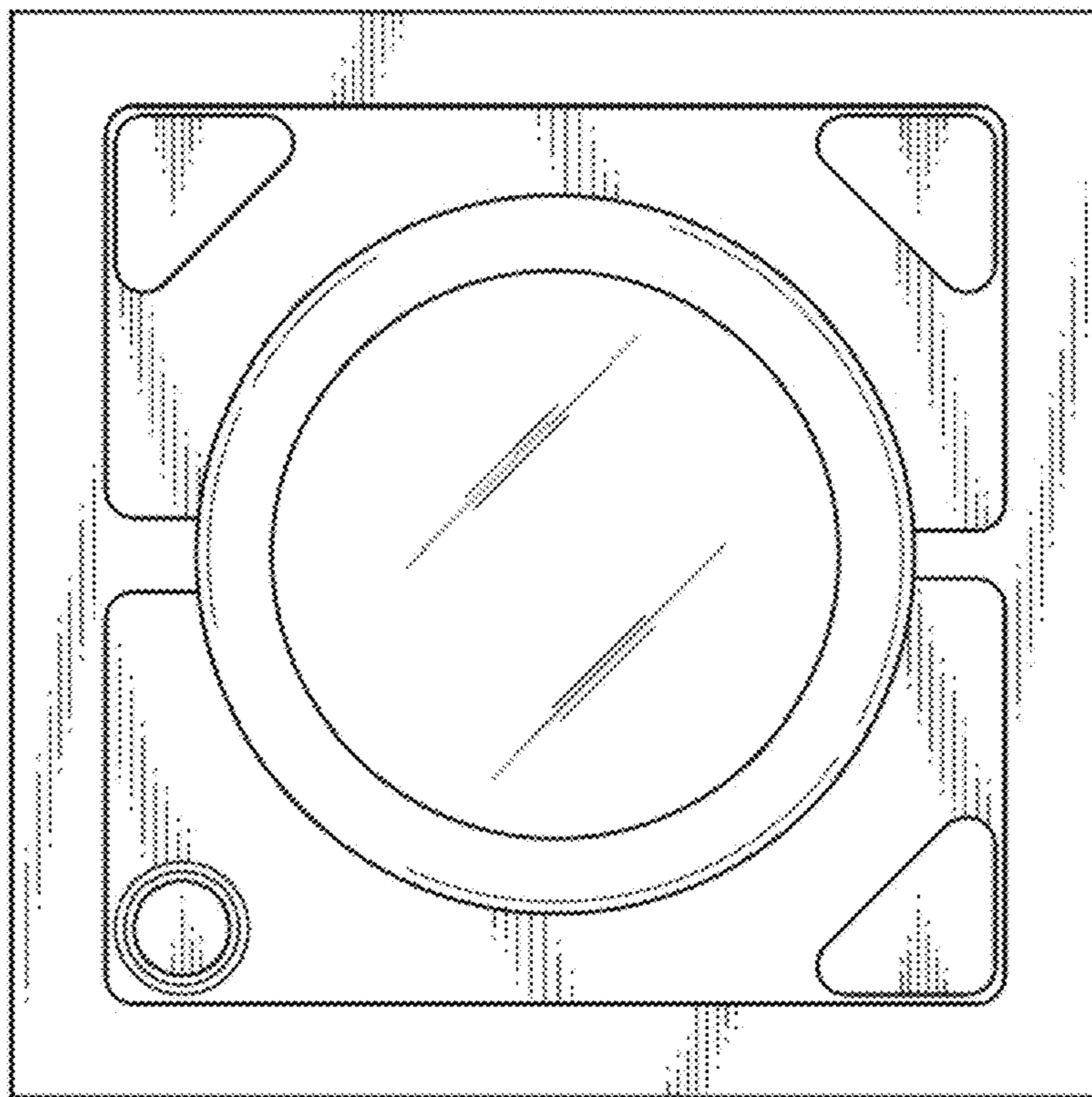


FIG. 3

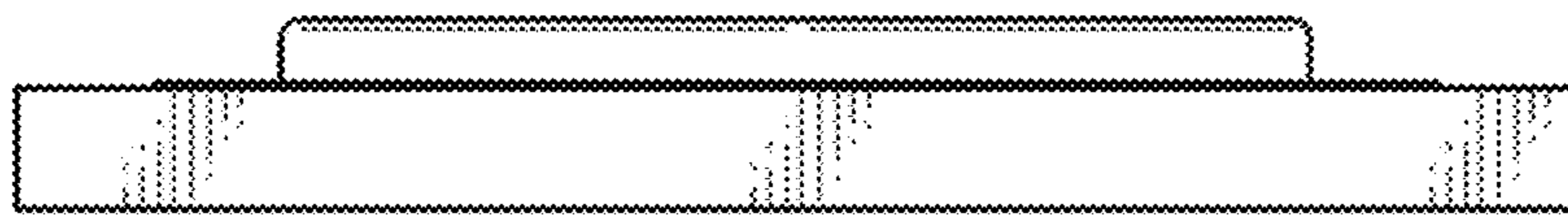


FIG. 4

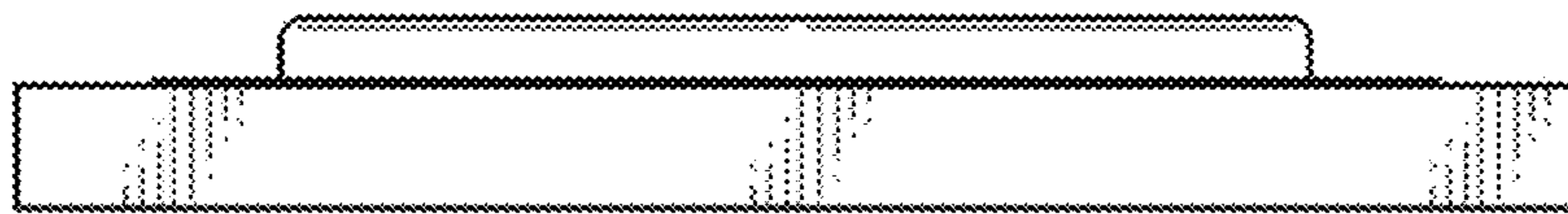


FIG. 5

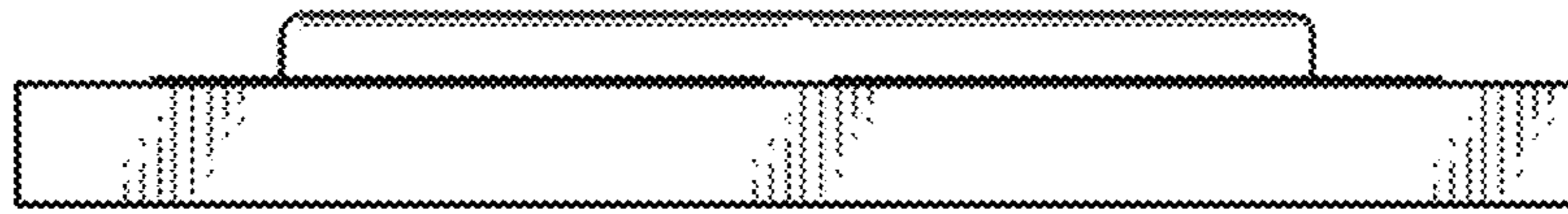


FIG. 6



FIG. 7

