



US00D831585S

(12) **United States Design Patent** (10) **Patent No.:** **US D831,585 S**
Lee et al. (45) **Date of Patent:** **** Oct. 23, 2018**

(54) **CONTROLLER FOR HOME AUTOMATION DEVICES** D421,966 S * 3/2000 Allen D13/174
6,107,583 A * 8/2000 Berfield H01H 23/143
200/302.2
(71) Applicant: **LG ELECTRONICS INC., Seoul (KR)** D434,393 S * 11/2000 Gehr D13/174
D455,405 S * 4/2002 Bonn D13/158
D464,630 S * 10/2002 Woodworth D13/171
(72) Inventors: **Hophil Lee, Seoul (KR); Kyoungjong Kim, Seoul (KR); Bonghui Kang, Seoul (KR)** D501,652 S * 2/2005 Pierson D13/171
D522,464 S * 6/2006 Mayo D13/162
D540,266 S * 4/2007 Mayo D13/162
D565,513 S * 4/2008 Biondo D13/174
(73) Assignee: **LG ELECTRONICS INC., Seoul (KR)** D631,929 S * 2/2011 Doone D19/100
D675,949 S * 2/2013 Chang D10/106.9
(Continued)

(**) Term: **15 Years**

Primary Examiner — Rhea Shields

(21) Appl. No.: **35/502,282**

(74) *Attorney, Agent, or Firm* — Birch, Stewart, Kolasch & Birch, LLP

(22) Filed: **Jul. 7, 2016**

(80) **Hague Agreement Data**

Int. Filing Date: **Jul. 7, 2016**
Int. Reg. No.: **DM/092852**
Int. Reg. Date: **Jul. 7, 2016**
Int. Reg. Pub. Date: **Jan. 13, 2017**

(57) **CLAIM**

The ornamental design for a controller for home automation devices, as shown and described.

(30) **Foreign Application Priority Data**

Jan. 7, 2016 (KR) 30-2016-0000705

(51) **LOC (11) Cl.** **13-03**

(52) **U.S. Cl.**
USPC **D13/162**

(58) **Field of Classification Search**
USPC D13/171, 162, 108, 168, 174, 158;
D14/218, 356, 228, 223, 205; 200/513,
200/547, 302.2; D24/187; D22/108
CPC H01H 13/702; H01H 13/23; H01H 13/143;
H01H 3/0213
See application file for complete search history.

(56) **References Cited**

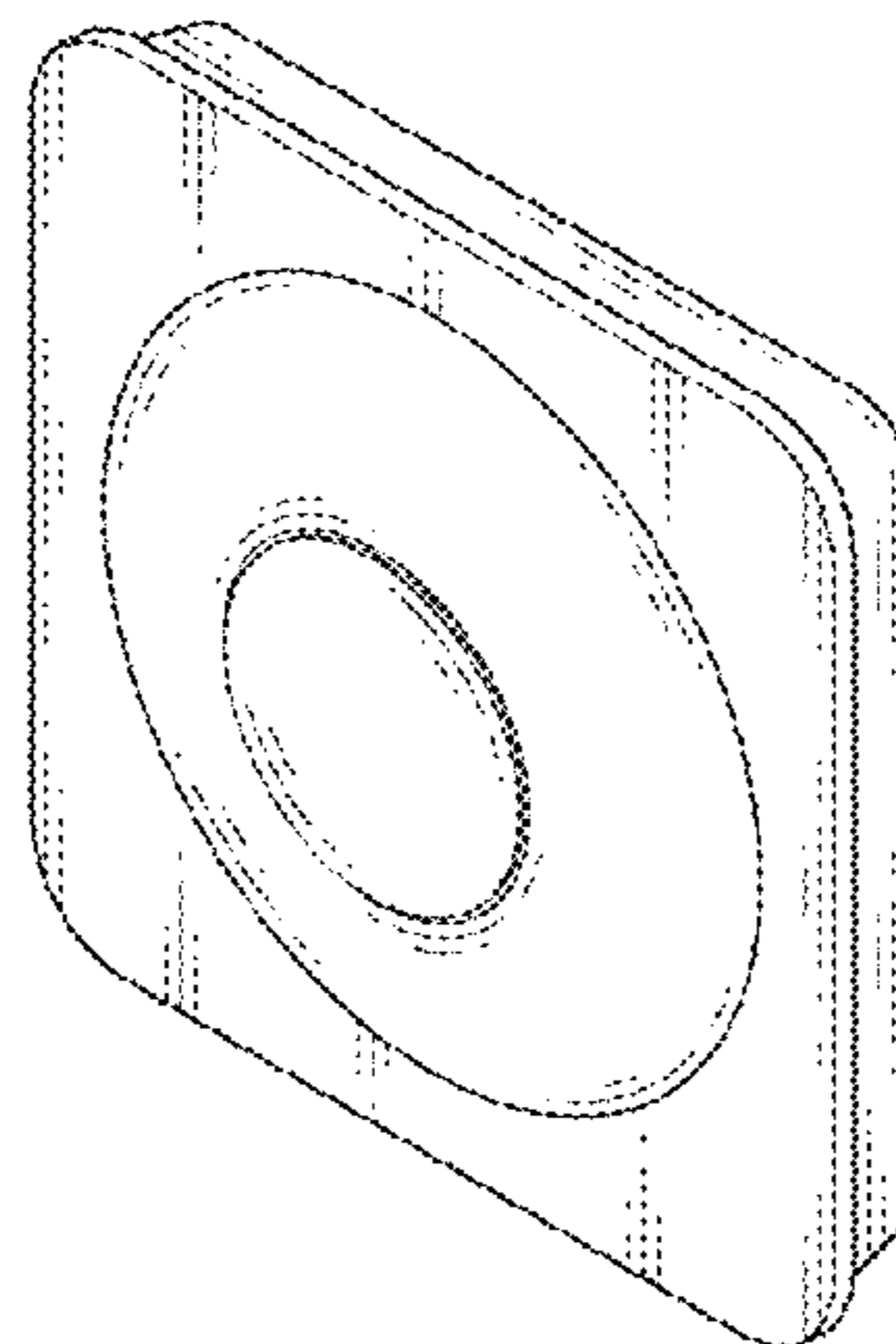
U.S. PATENT DOCUMENTS

4,677,268 A * 6/1987 Nemeth H01H 13/702
200/513
D362,841 S * 10/1995 Roza D13/171

DESCRIPTION

1. Controller for home automation devices
1.1 is a perspective view;
1.2 is a front view;
1.3 is a rear view;
1.4 is a side view;
1.5 is a side view;
1.6 is a top view;
1.7 is a bottom view;
1.8 is a perspective view shown in an environment; and
1.9 is another perspective view shown in an environment.
The broken line showing of the plurality of circular features in figure 1.3 is for the purpose of illustrating portions of the controller for home automation devices and forms no part of the claimed design; the broken line showing in figures 1.8 and 1.9 is for the purpose of illustrating environmental structure and forms no part of the claimed design.

1 Claim, 9 Drawing Sheets



(56)

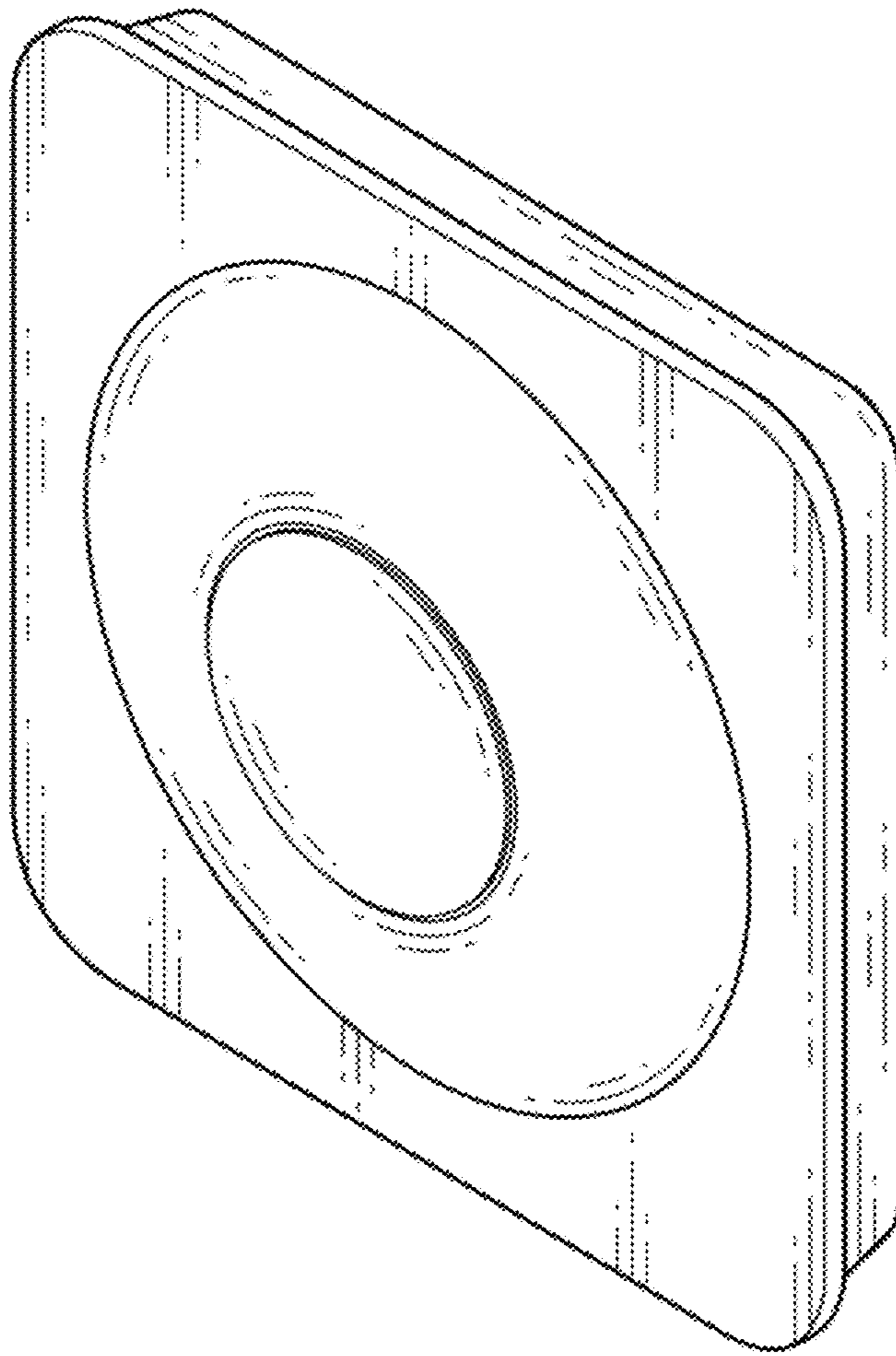
References Cited

U.S. PATENT DOCUMENTS

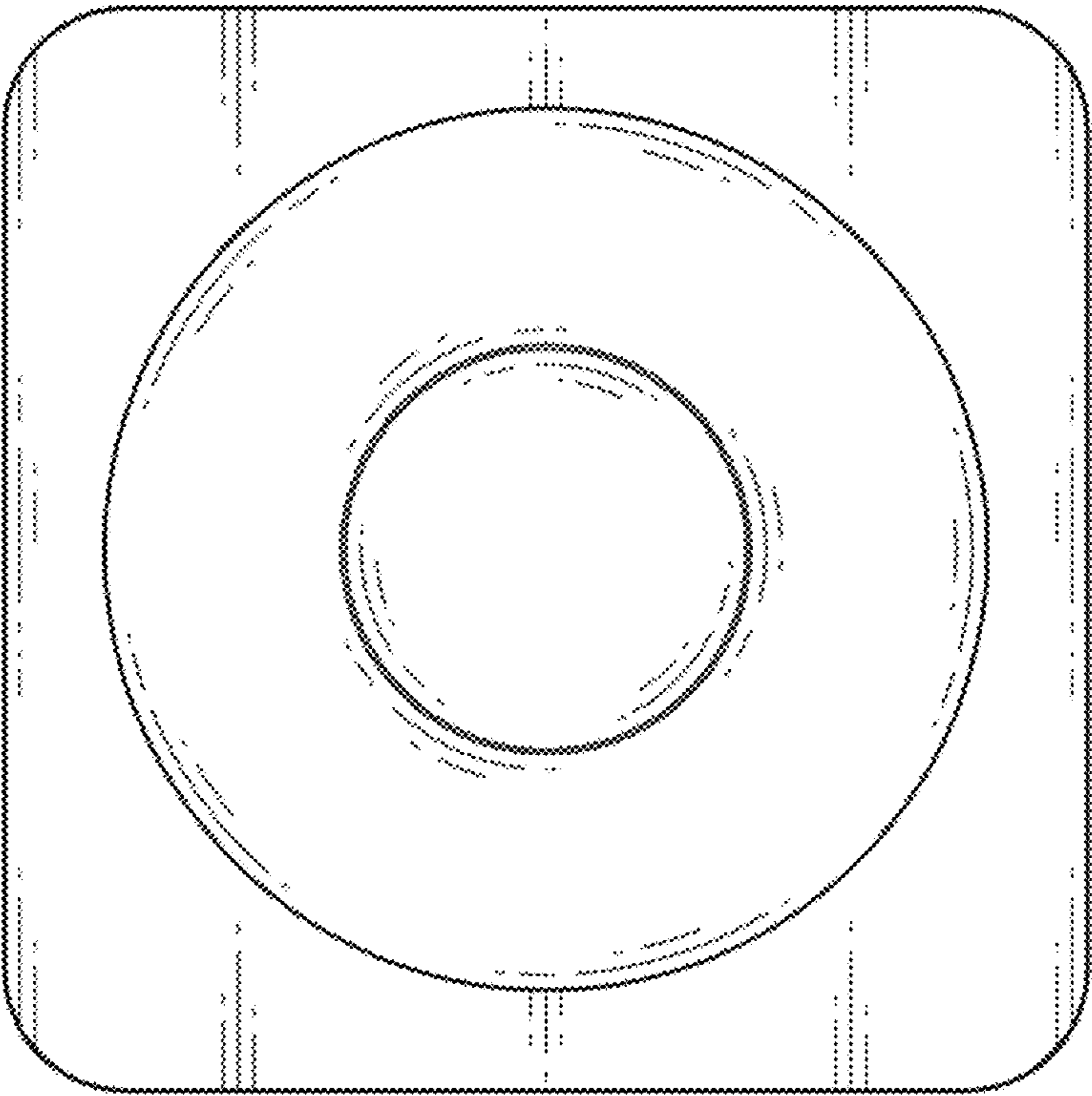
D685,790	S	*	7/2013	Tang	D14/218
D715,228	S	*	10/2014	Lee	D13/158
D733,493	S	*	7/2015	Barberi	D7/393
D738,324	S	*	9/2015	Zheng	D13/158
D740,762	S	*	10/2015	Miller	D13/162
D741,271	S	*	10/2015	Noack	D13/174
D742,770	S	*	11/2015	Windstrup	D10/104.1
D748,078	S	*	1/2016	Nardin	D14/218
D750,493	S	*	3/2016	Andujar	D9/454
D752,503	S	*	3/2016	Sethapun	D12/345
D765,073	S	*	8/2016	Niizawa	D14/356
D777,103	S	*	1/2017	Park	D13/108
D777,683	S	*	1/2017	Kashimoto	D13/168
D782,973	S	*	4/2017	Zhou	D13/108
D782,987	S	*	4/2017	Gassner	D13/171
D784,259	S	*	4/2017	Huang	D13/108
D784,963	S	*	4/2017	Saule	D14/228
D787,032	S	*	5/2017	Stenka	D23/322
D788,046	S	*	5/2017	Oksengendler	D13/162
D794,611	S	*	8/2017	Valenzuela	D14/223
D795,835	S	*	8/2017	Nagamine	D14/205
D803,344	S	*	11/2017	Huyke-Phillips	D22/108
D803,410	S	*	11/2017	Im	D24/187

* cited by examiner

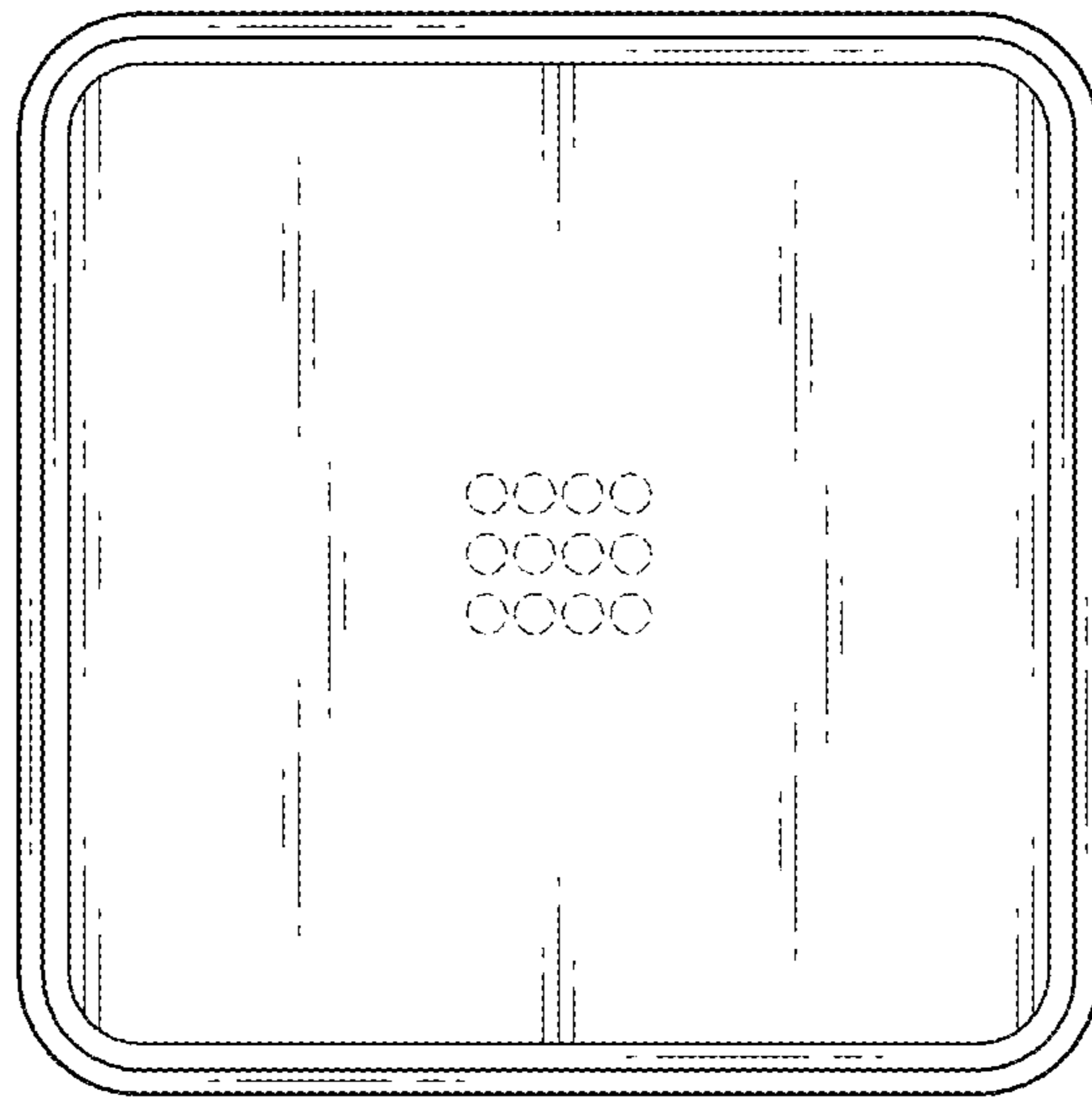
1.1



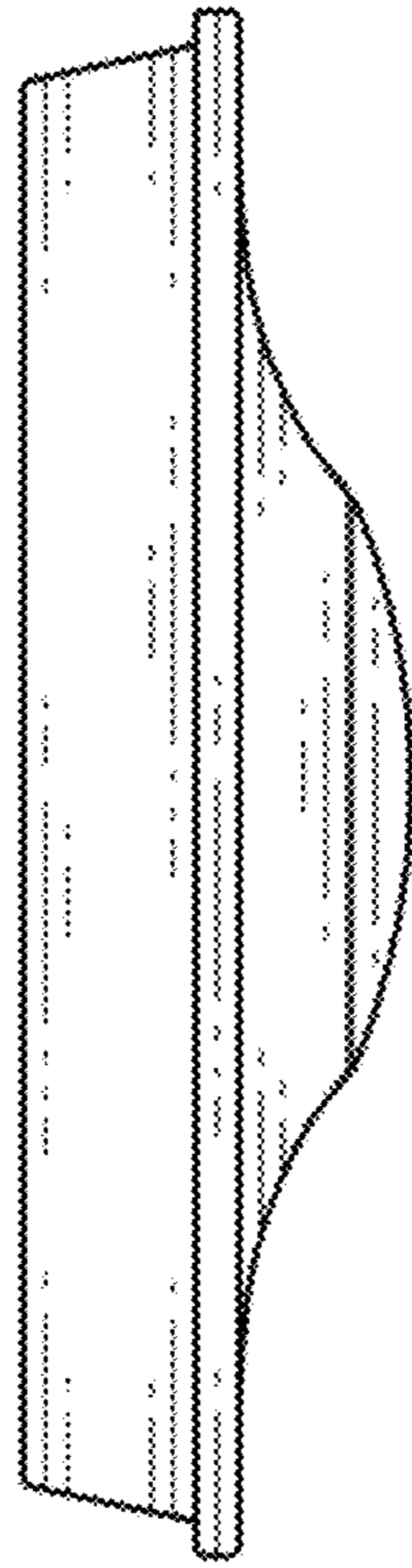
1.2



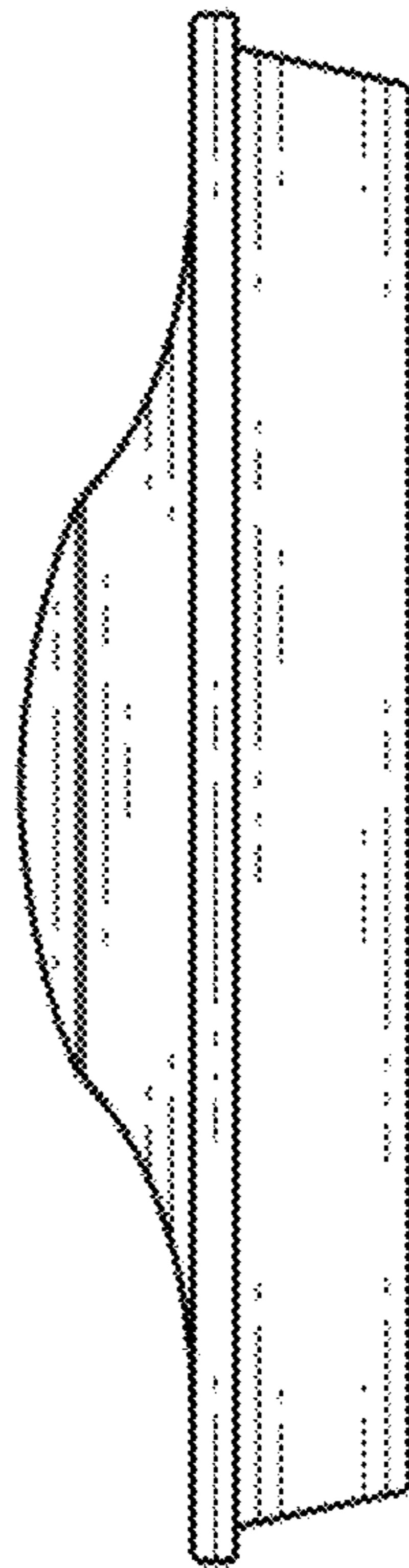
1.3



1.4



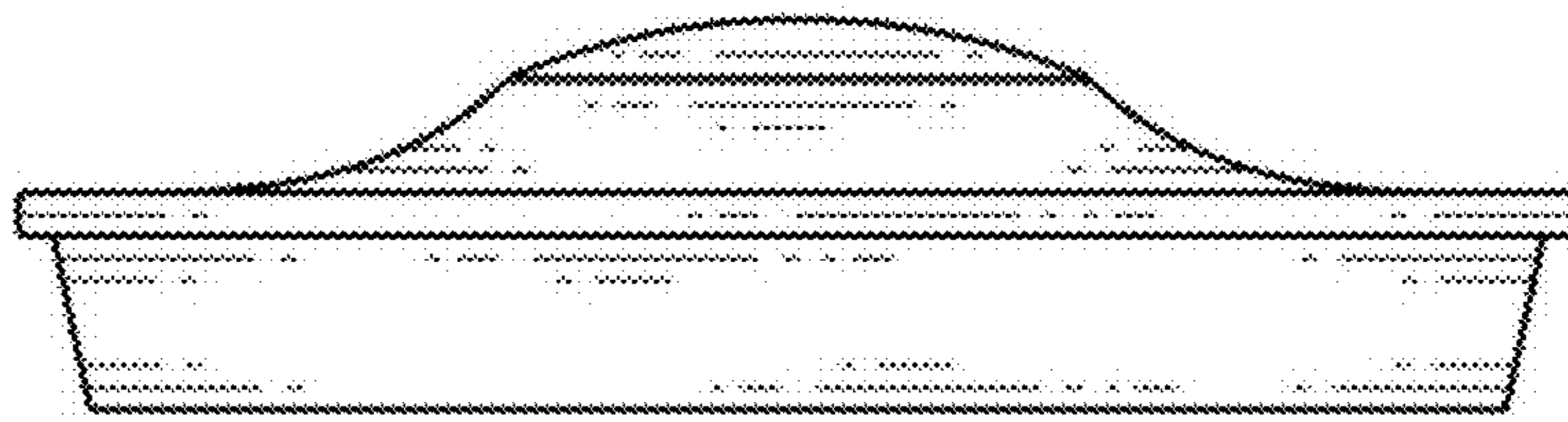
1.5



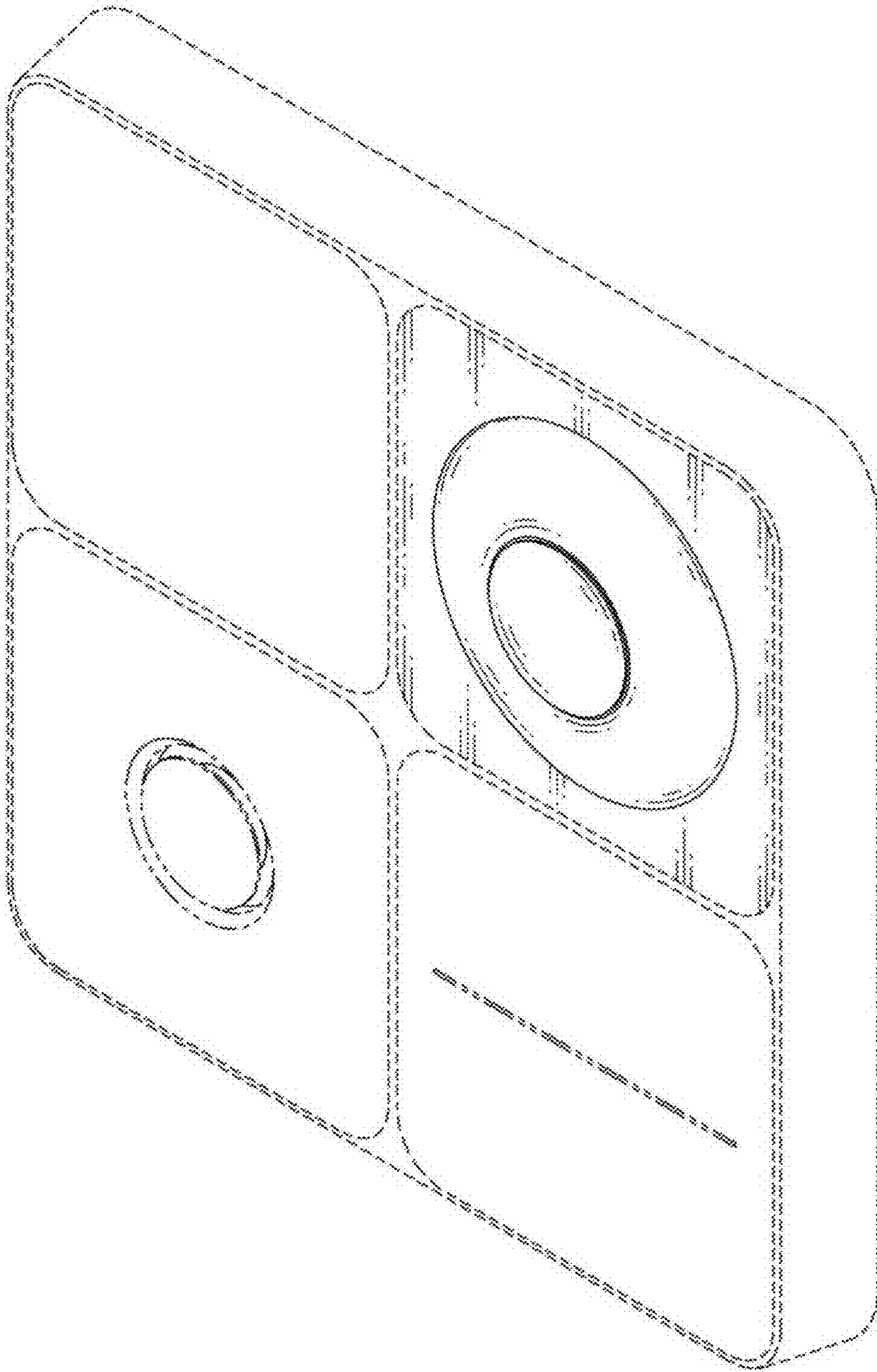
1.6



1.7



1.8



1.9

