



US00D831579S

(12) **United States Design Patent**
Penn et al.

(10) **Patent No.:** **US D831,579 S**
(45) **Date of Patent:** **** Oct. 23, 2018**

(54) **CONNECTOR POSITION ASSURANCE DEVICE**

(71) Applicant: **Delphi Technologies, Inc.**, Troy, MI (US)

(72) Inventors: **Matthew L. Penn**, Cortland, OH (US); **Geronimo Mauricio De La Torre**, Warren, OH (US); **Cory R. Ensley**, Canfield, OH (US)

(73) Assignee: **Delphi Technologies, Inc.**, Troy, MI (US)

(**) Term: **15 Years**

(21) Appl. No.: **29/607,527**

(22) Filed: **Jun. 14, 2017**

(51) **LOC (11) Cl.** **13-03**

(52) **U.S. Cl.**

USPC **D13/154**

(58) **Field of Classification Search**

USPC D13/133, 146, 147, 154, 184, 199

CPC H01R 12/75; H01R 13/11; H01R 13/40;

H01R 13/627; H01R 13/629; H01R

13/631; H01R 13/639; H01R 13/64;

H01R 24/38

See application file for complete search history.

(56) **References Cited**

U.S. PATENT DOCUMENTS

4,634,204 A	1/1987	Detter et al.
5,026,298 A	6/1991	Brussalis et al.
5,605,471 A	2/1997	Plyler
5,643,003 A	7/1997	Myer
5,651,689 A	7/1997	Plyler
5,681,178 A	10/1997	Kunkle et al.
5,688,142 A	11/1997	Dietz et al.
5,759,058 A	6/1998	Childs et al.
5,775,930 A	7/1998	Model et al.
6,012,945 A	1/2000	Tabor et al.

6,533,601 B2	3/2003	Raudenbush et al.
6,547,584 B2	4/2003	Myer et al.
6,896,538 B2	5/2005	Grubbs
6,921,279 B2	7/2005	Sian et al.
7,255,593 B2	8/2007	Tyler
7,326,074 B1	2/2008	Lim et al.
7,347,745 B1	3/2008	Raudenbush et al.

(Continued)

FOREIGN PATENT DOCUMENTS

WO 2006131141 A1 12/2006

Primary Examiner — Daniel Bui

(74) *Attorney, Agent, or Firm* — Robert J. Myers

(57) **CLAIM**

An ornamental design for an connector position assurance device, as shown and described.

DESCRIPTION

FIG. 1 is a front, top and left side perspective view of a connector position assurance device in use condition, showing our new design;

FIG. 2 is a front, top and left side perspective view of a connector position assurance device, on a larger scale;

FIG. 3 is a rear, top and left side perspective view thereof;

FIG. 4 is a top plan view thereof;

FIG. 5 is a left side elevation view thereof. The right side elevation view is a mirror image of the left side elevation view;

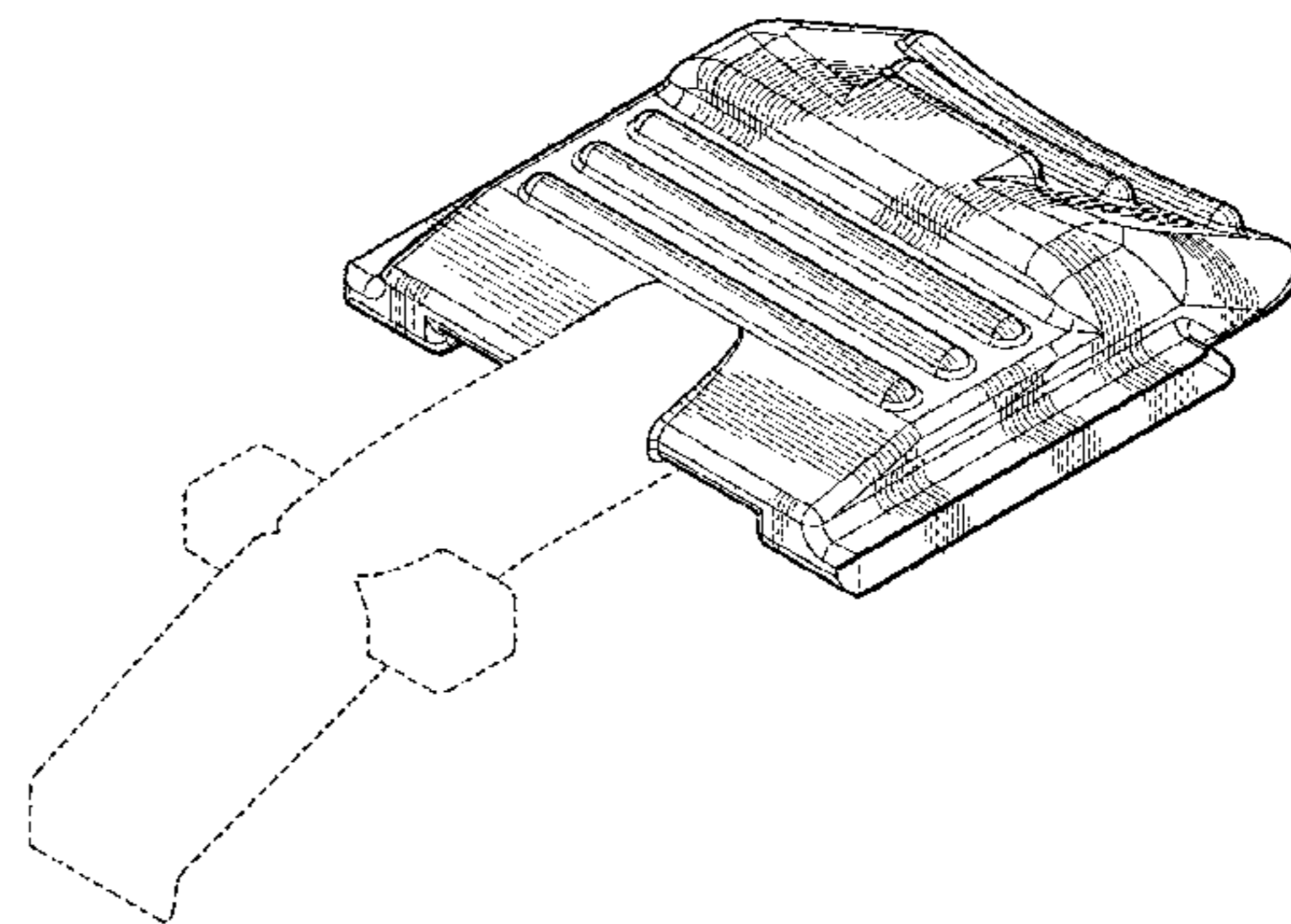
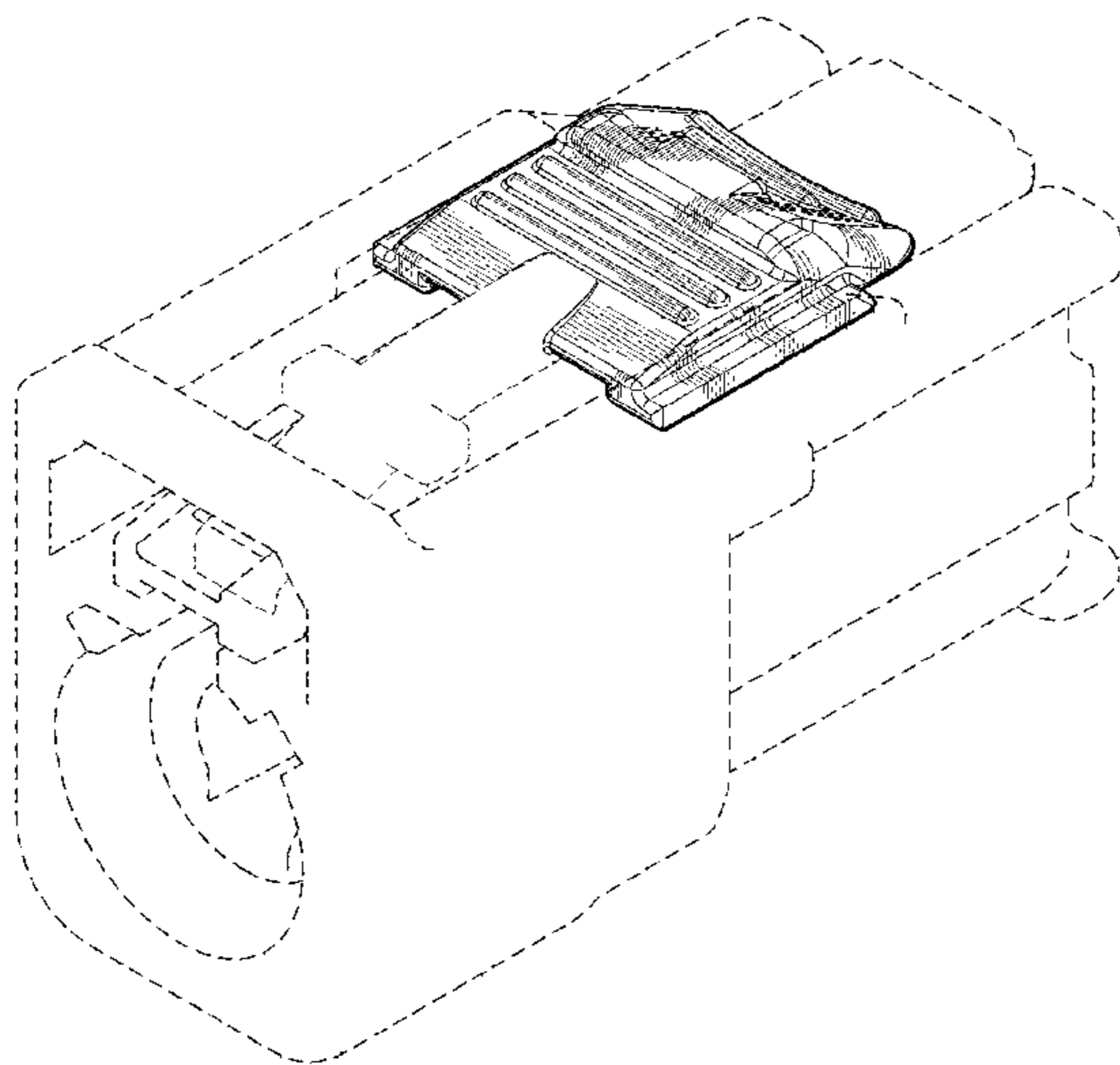
FIG. 6 is a rear elevation view thereof; and,

FIG. 7 is a front elevation view thereof.

The bottom of the connector position assurance device is unornamented.

The broken lines are for the purpose of illustrating the unclaimed environment of the article only and form no part of the claimed design. The shading illustrated in the drawings is provided merely to highlight the contour of the design and is not intended to be illustrative of any texture or gloss.

1 Claim, 3 Drawing Sheets



(56)

References Cited

U.S. PATENT DOCUMENTS

8,016,606 B1 9/2011 Kwan et al.
8,784,127 B2 7/2014 Bashkin et al.
8,926,355 B2 1/2015 Heil et al.
9,160,095 B2 10/2015 Littek et al.
D756,301 S * 5/2016 Wu D13/133
9,362,676 B2 6/2016 Puhl et al.
D768,083 S * 10/2016 Zhou D13/147
D768,574 S * 10/2016 Zhou D13/147
D768,575 S * 10/2016 Zhou D13/147
9,490,576 B2 11/2016 Plazio et al.
9,608,369 B1 3/2017 Brandt et al.
2010/0233897 A1 9/2010 Seo et al.

* cited by examiner

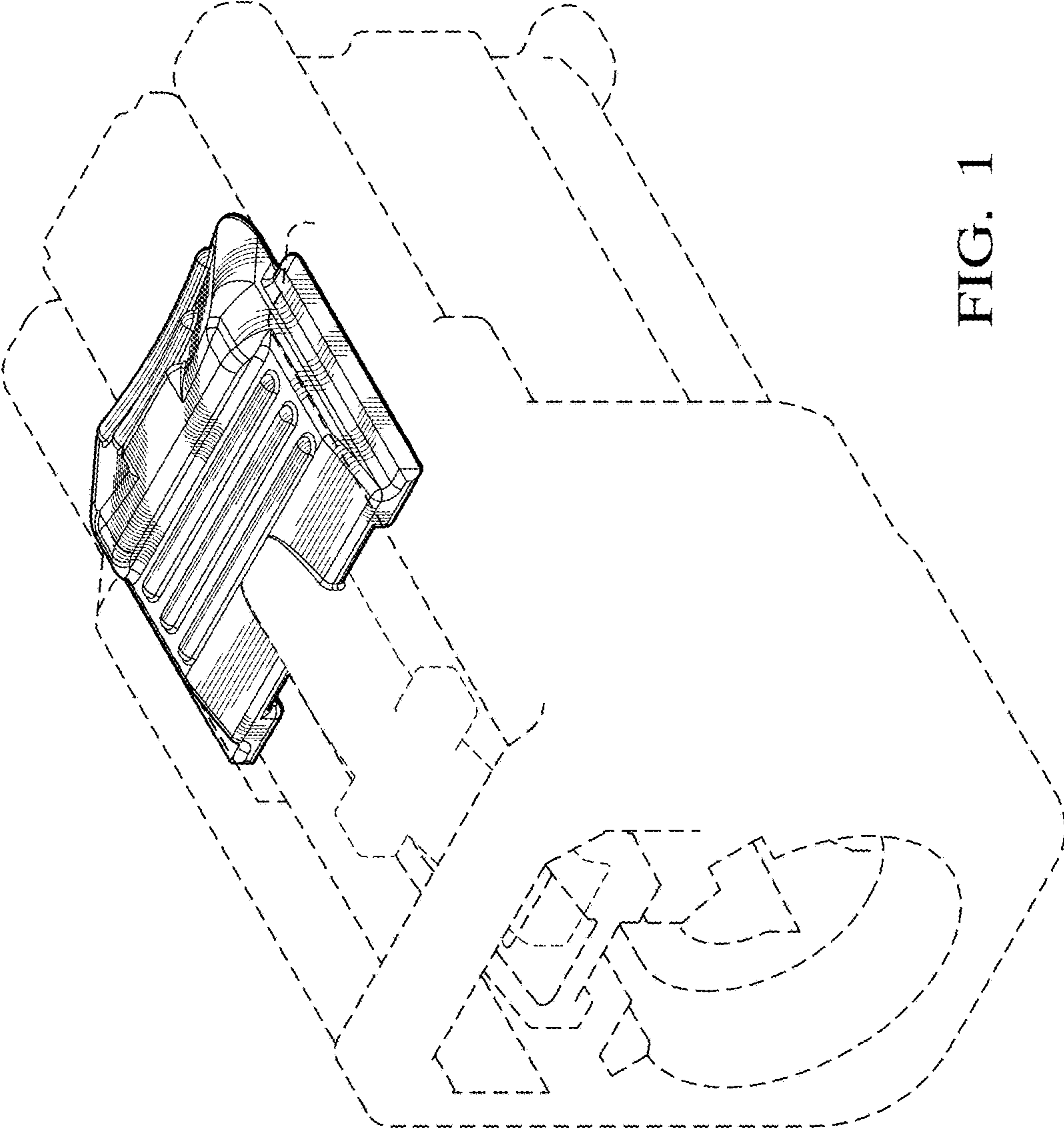
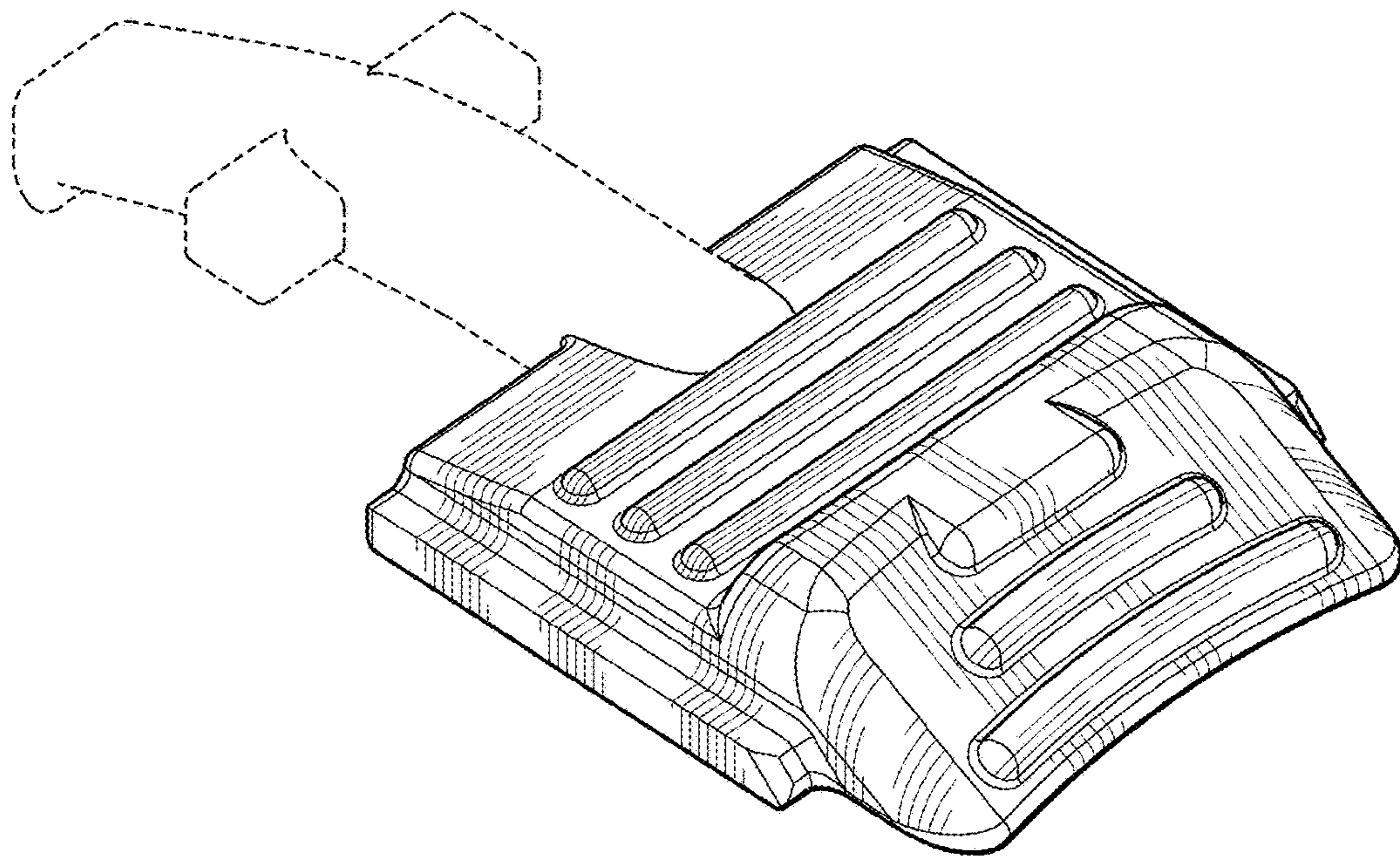
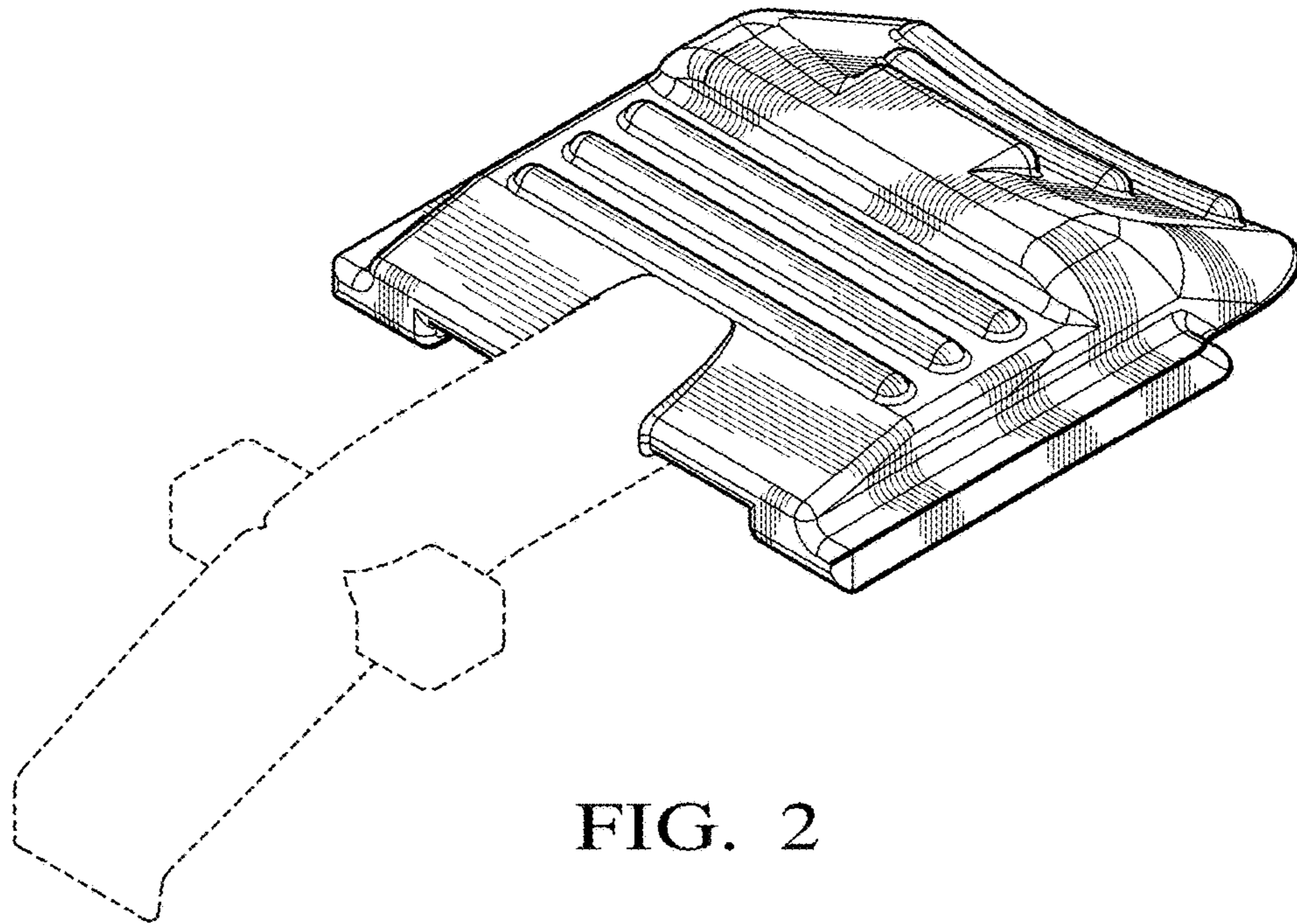


FIG. 1



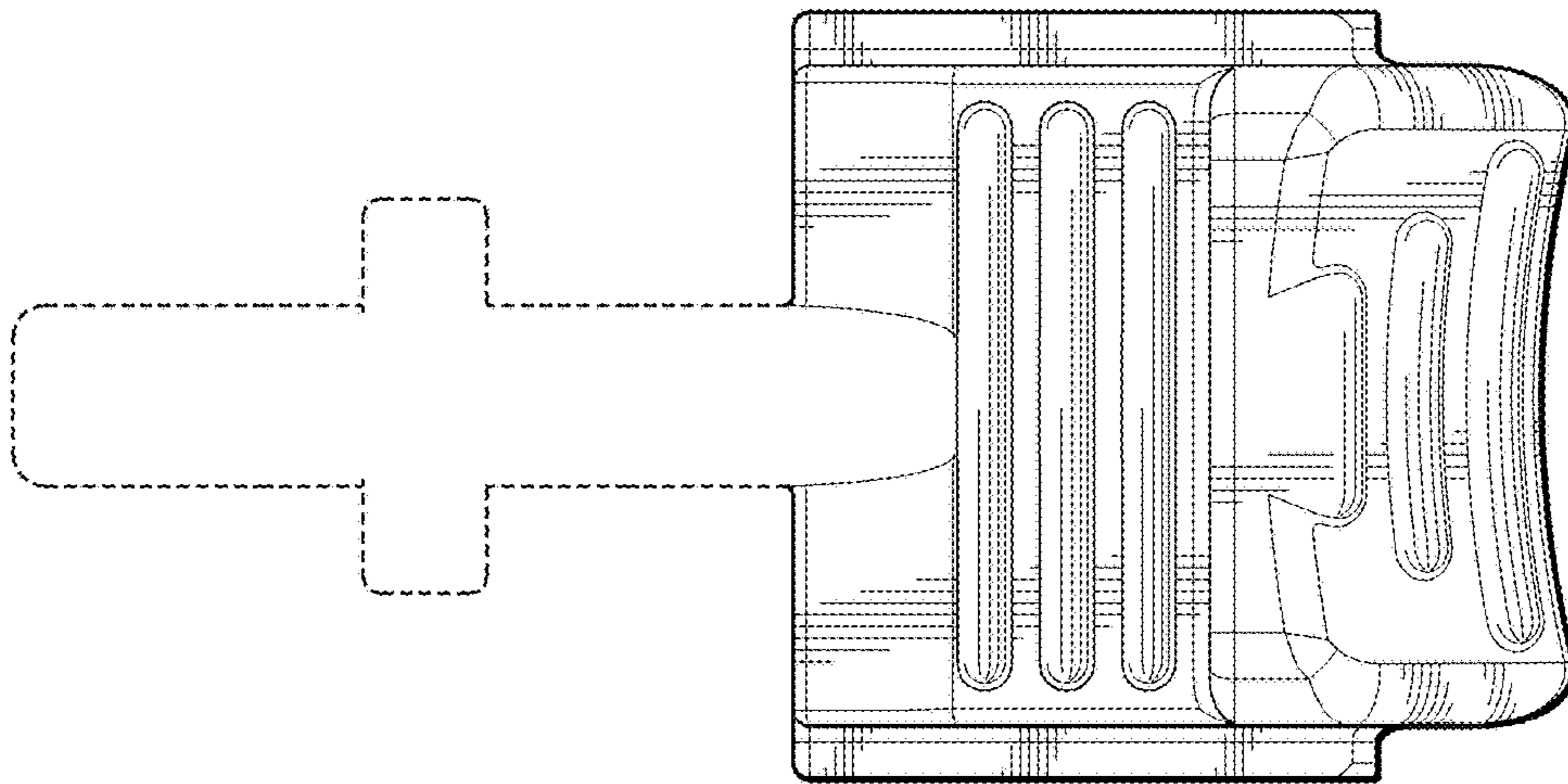


FIG. 4

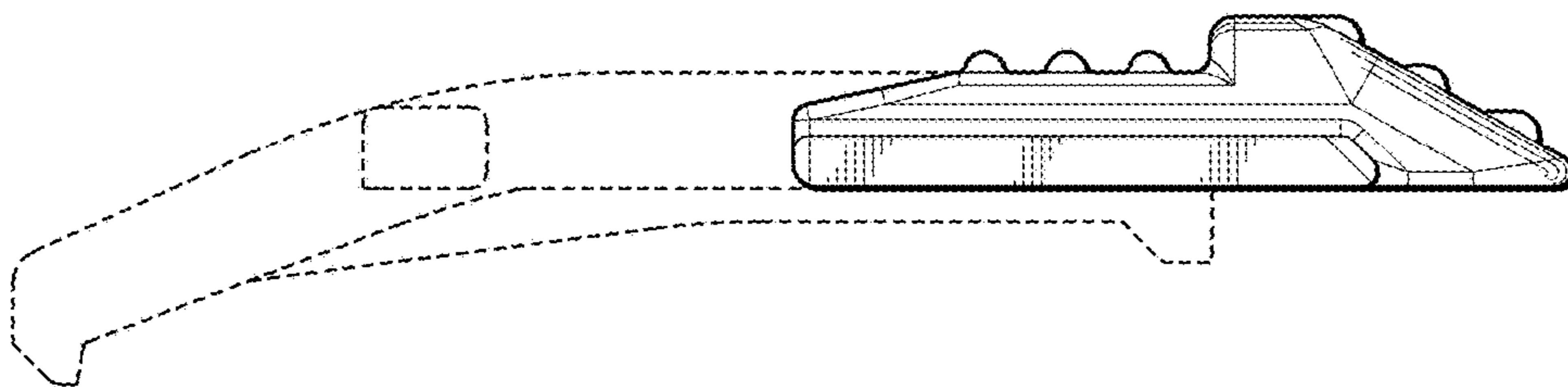


FIG. 5

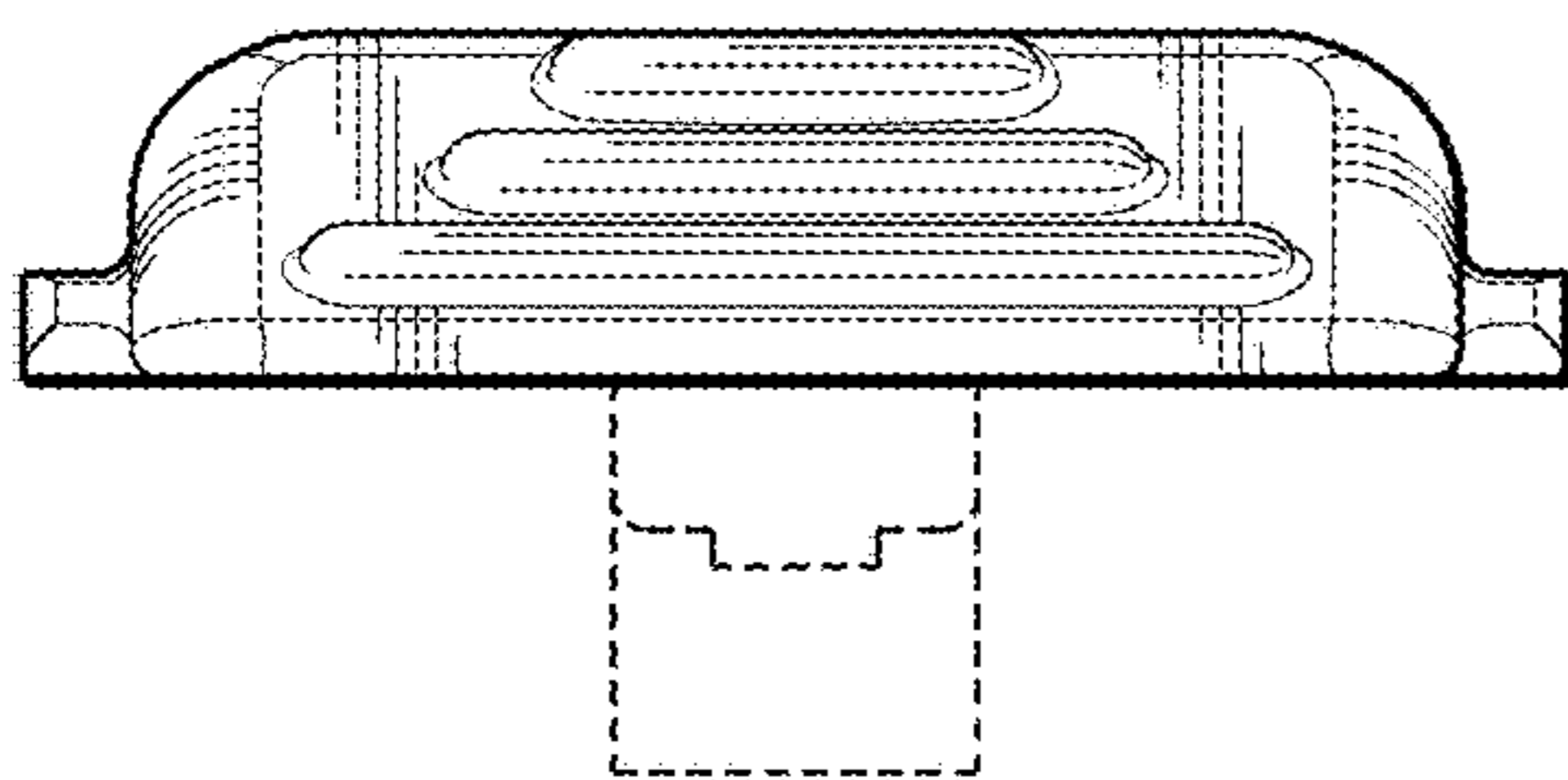


FIG. 6

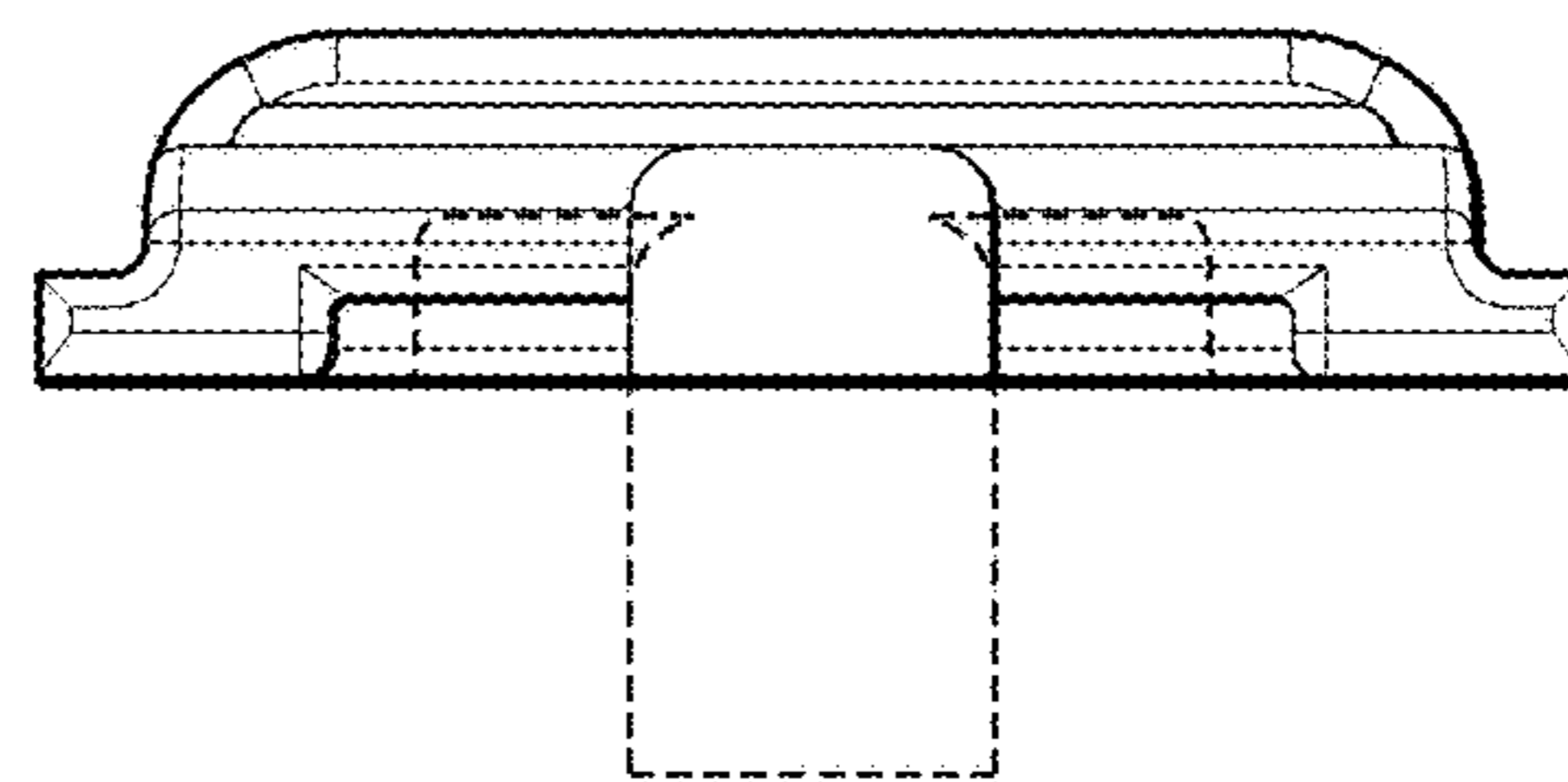


FIG. 7