



US00D831578S

(12) **United States Design Patent** (10) **Patent No.:** **US D831,578 S**
Bubas et al. (45) **Date of Patent:** **** Oct. 23, 2018**

(54) **FIBER OPTIC CLOSURE**

(71) Applicant: **CCS Technology, Inc.**, Wilmington, DE (US)

(72) Inventors: **Jedrzej Bubas**, Lodz (PL); **Tomasz Andrzej Ciechomski**, Lowicz (PL)

(73) Assignee: **Corning Optical Communications LLC**, Hickory, NC (US)

(**) Term: **15 Years**

(21) Appl. No.: **29/582,529**

(22) Filed: **Oct. 28, 2016**

(51) **LOC (11) Cl.** **13-03**

(52) **U.S. Cl.**
 USPC **D13/152**; D13/184

(58) **Field of Classification Search**
 USPC D13/152, 155, 184; D14/140.4
 CPC ... G02B 6/4441; H04W 88/085; H04W 88/10
 See application file for complete search history.

(56) **References Cited**

U.S. PATENT DOCUMENTS

5,459,808 A * 10/1995 Keith G02B 6/4441
 385/134

D370,891 S * 6/1996 Keith D13/184

5,694,511 A * 12/1997 Pimpinella G02B 6/4452
 385/134

D421,965 S * 3/2000 Johnston D13/147

D431,532 S * 10/2000 Noble D13/152

6,621,975 B2 9/2003 Laporte et al.

D484,469 S * 12/2003 Thibault D13/184

6,766,094 B2 7/2004 Smith et al.

6,798,967 B2 9/2004 Battey et al.

D498,211 S * 11/2004 Thibault D13/155

7,740,409 B2 * 6/2010 Bolton G02B 6/4441
 385/139

7,844,158 B2 * 11/2010 Gronvall G02B 6/4471
 385/135

7,869,681 B2 1/2011 Battey et al.
 8,532,490 B2 * 9/2013 Smith H04B 10/25754
 398/72

2006/0093303 A1 * 5/2006 Reagan G02B 6/4466
 385/135

2006/0147172 A1 * 7/2006 Luther G02B 6/4441
 385/135

2009/0060439 A1 * 3/2009 Cox G02B 6/3897
 385/135

2009/0123115 A1 * 5/2009 Gronvall G02B 6/4441
 385/76

2009/0220204 A1 * 9/2009 Ruiz G02B 6/4454
 385/135

2011/0222829 A1 * 9/2011 Loeffelholz G02B 6/4441
 385/135

2013/0004122 A1 * 1/2013 Kingsbury G02B 6/4471
 385/31

2013/0195418 A1 * 8/2013 Mudd G02B 6/4475
 385/135

(Continued)

Primary Examiner — Selina Sikder
 (74) *Attorney, Agent, or Firm* — Robert L. Branham

(57) **CLAIM**

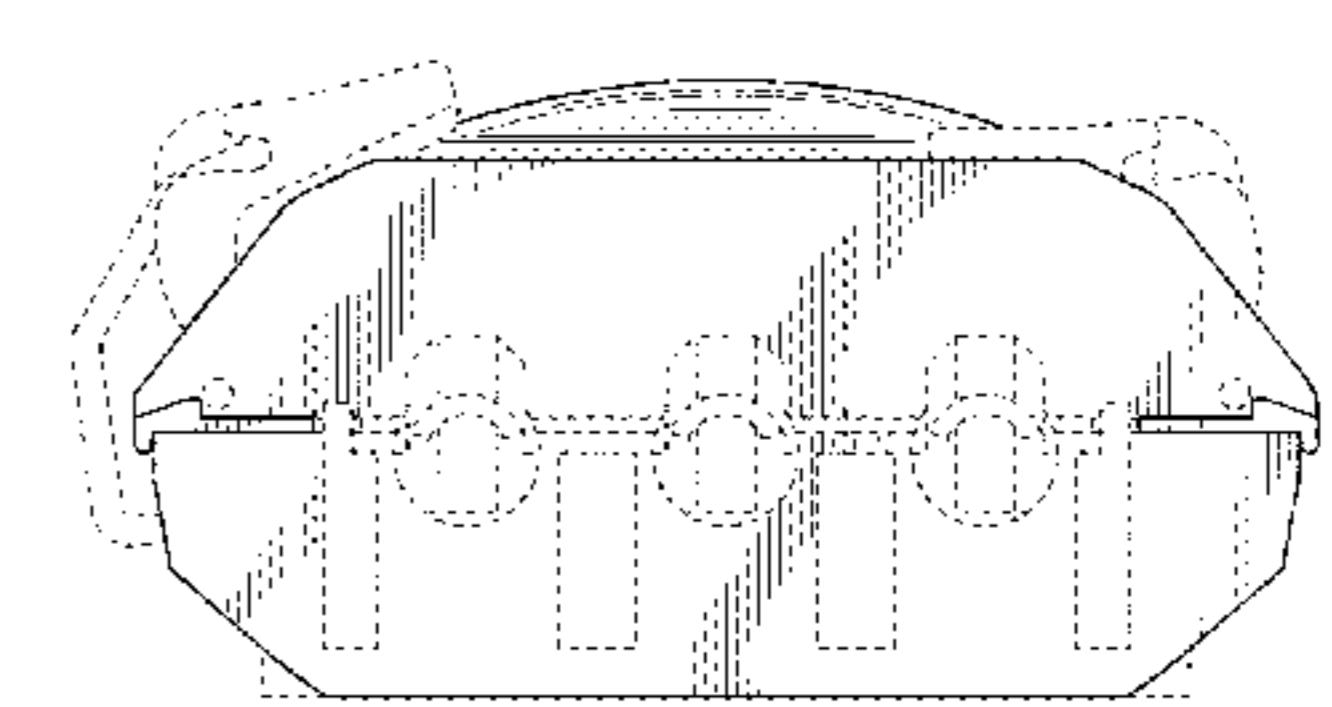
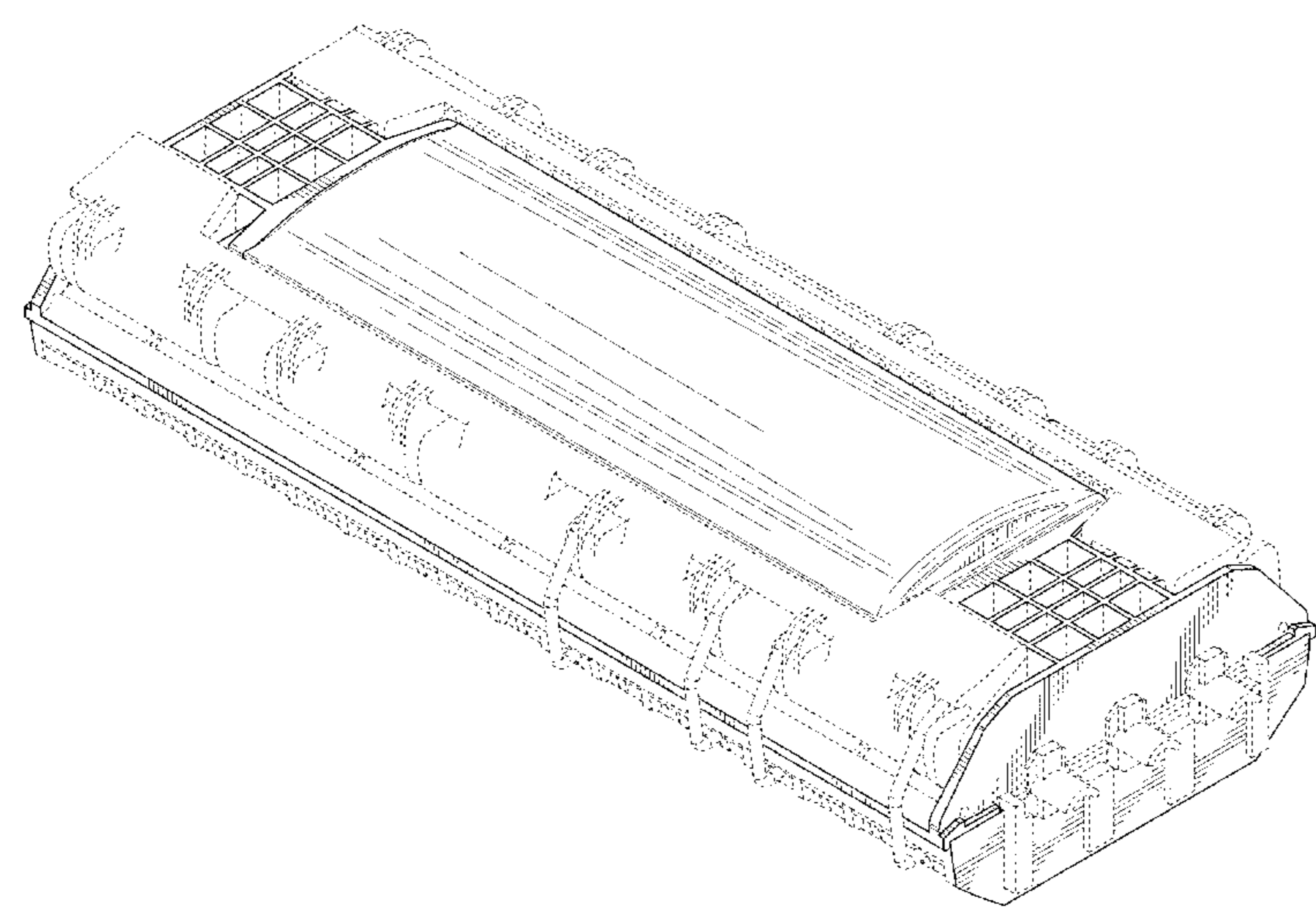
The ornamental design for fiber optic closure, as shown and described.

DESCRIPTION

FIG. 1 is a front perspective view of a fiber optic closure;
 FIG. 2 is a top view thereof;
 FIG. 3 is a bottom view thereof;
 FIG. 4 is a right view thereof;
 FIG. 5 is a left view thereof;
 FIG. 6 is a front view thereof; and,
 FIG. 7 is a rear view thereof.

The broken lines in the drawings are included for the purpose of illustrating environmental structure and form no part of the claimed design.

1 Claim, 6 Drawing Sheets



(56)

References Cited

U.S. PATENT DOCUMENTS

2017/0371118 A1* 12/2017 Vaughn G02B 6/4441
2018/0059348 A1* 3/2018 Burkett G02B 6/4441

* cited by examiner

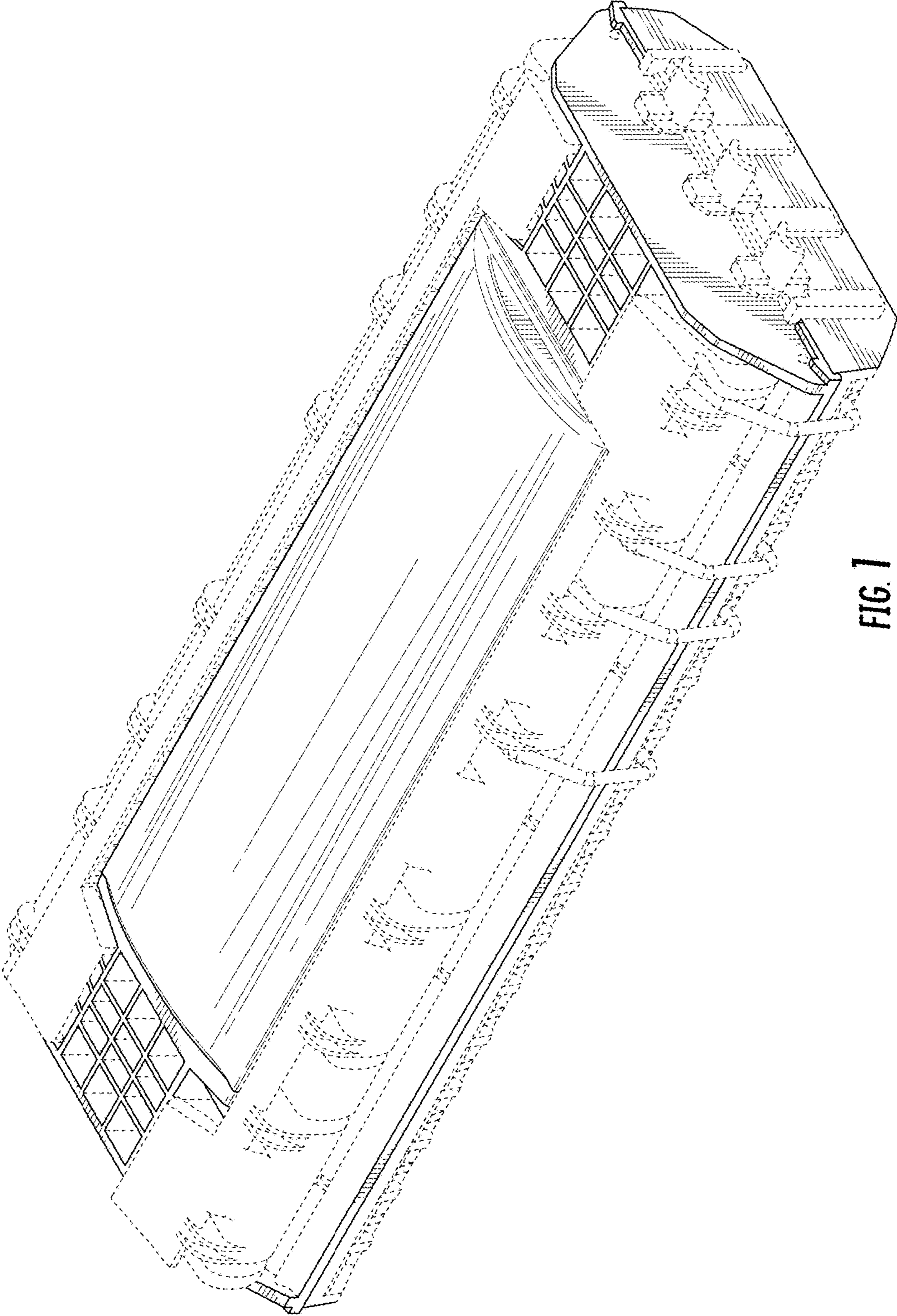


FIG. 1

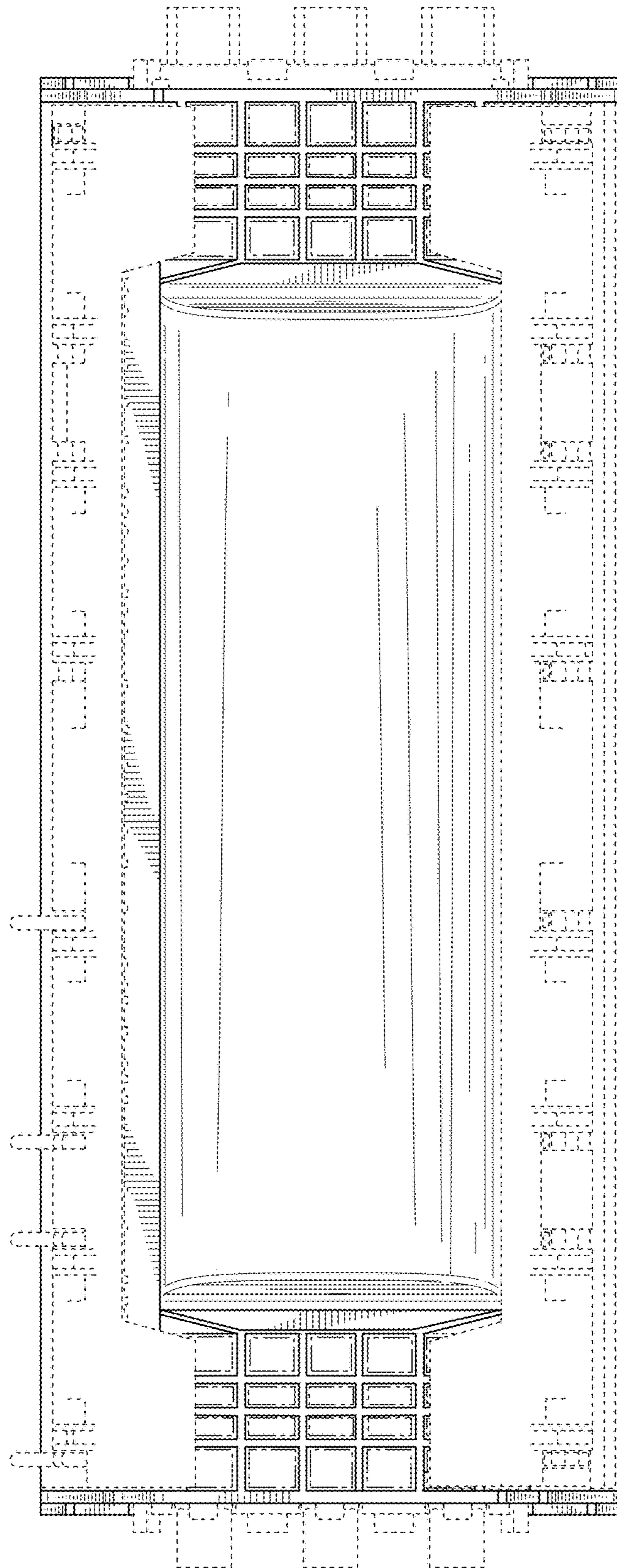


FIG. 2

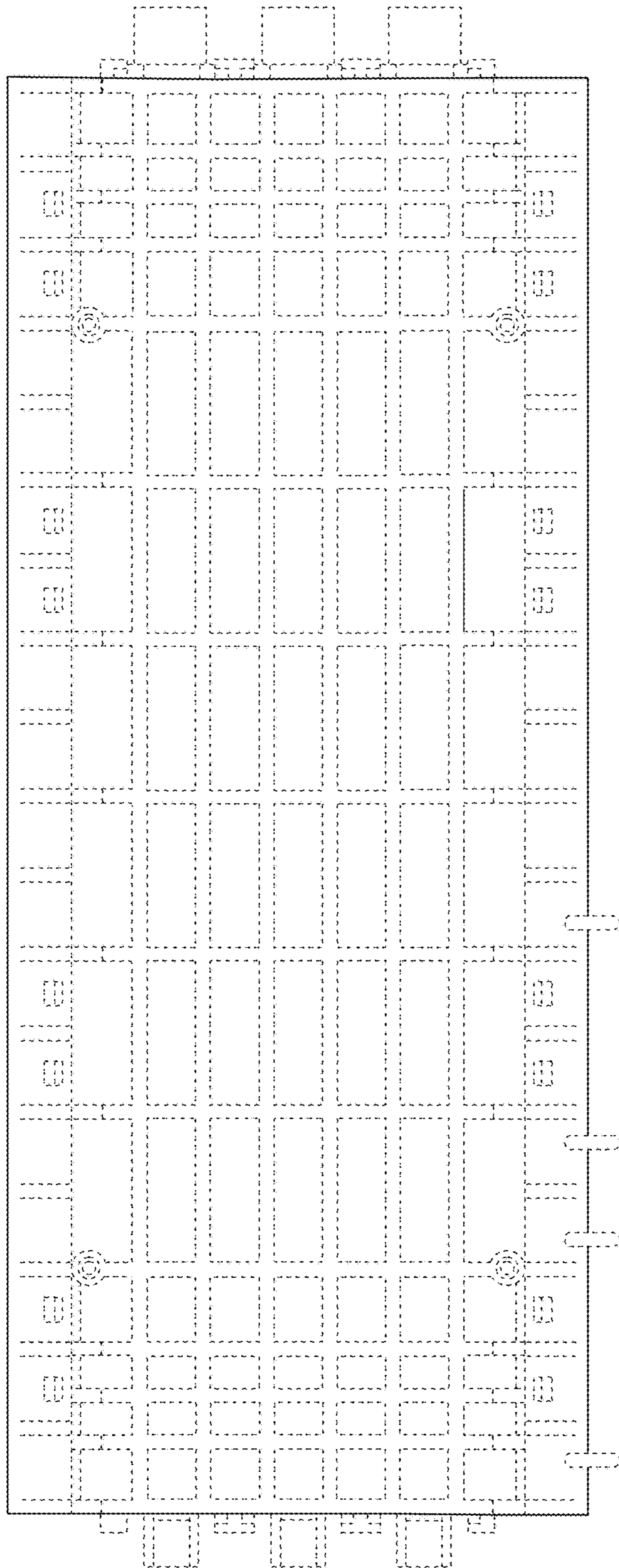


FIG. 3

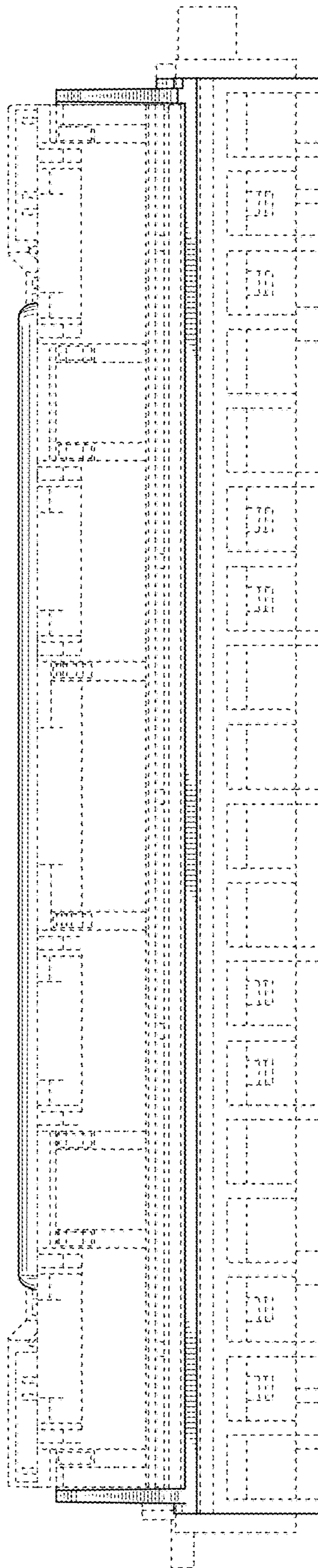


FIG. 4

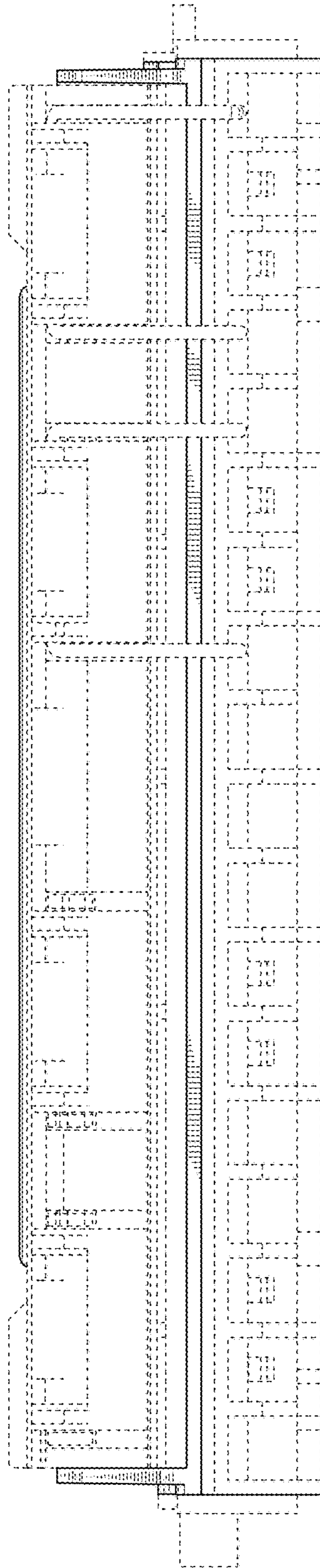


FIG. 5

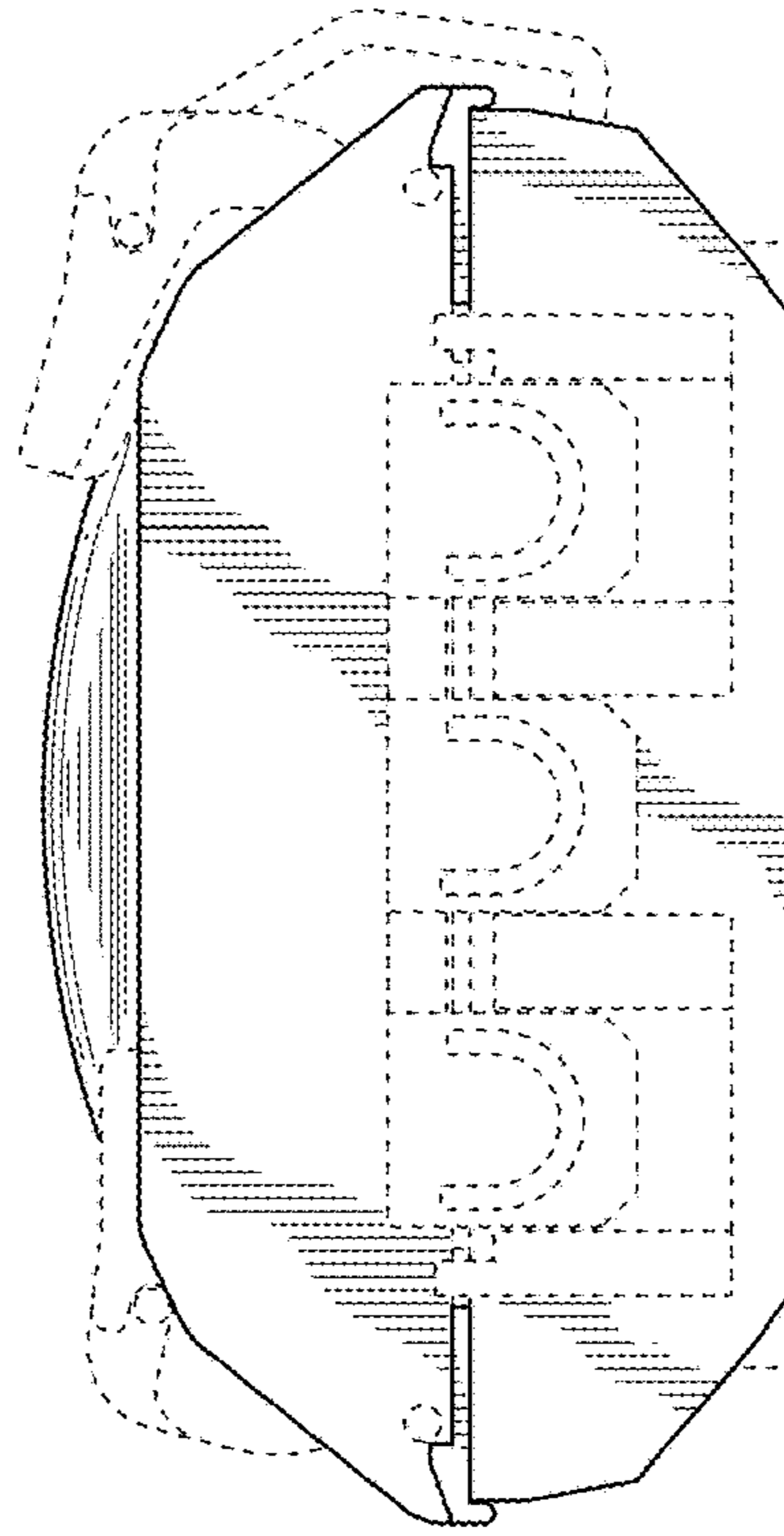


FIG. 6

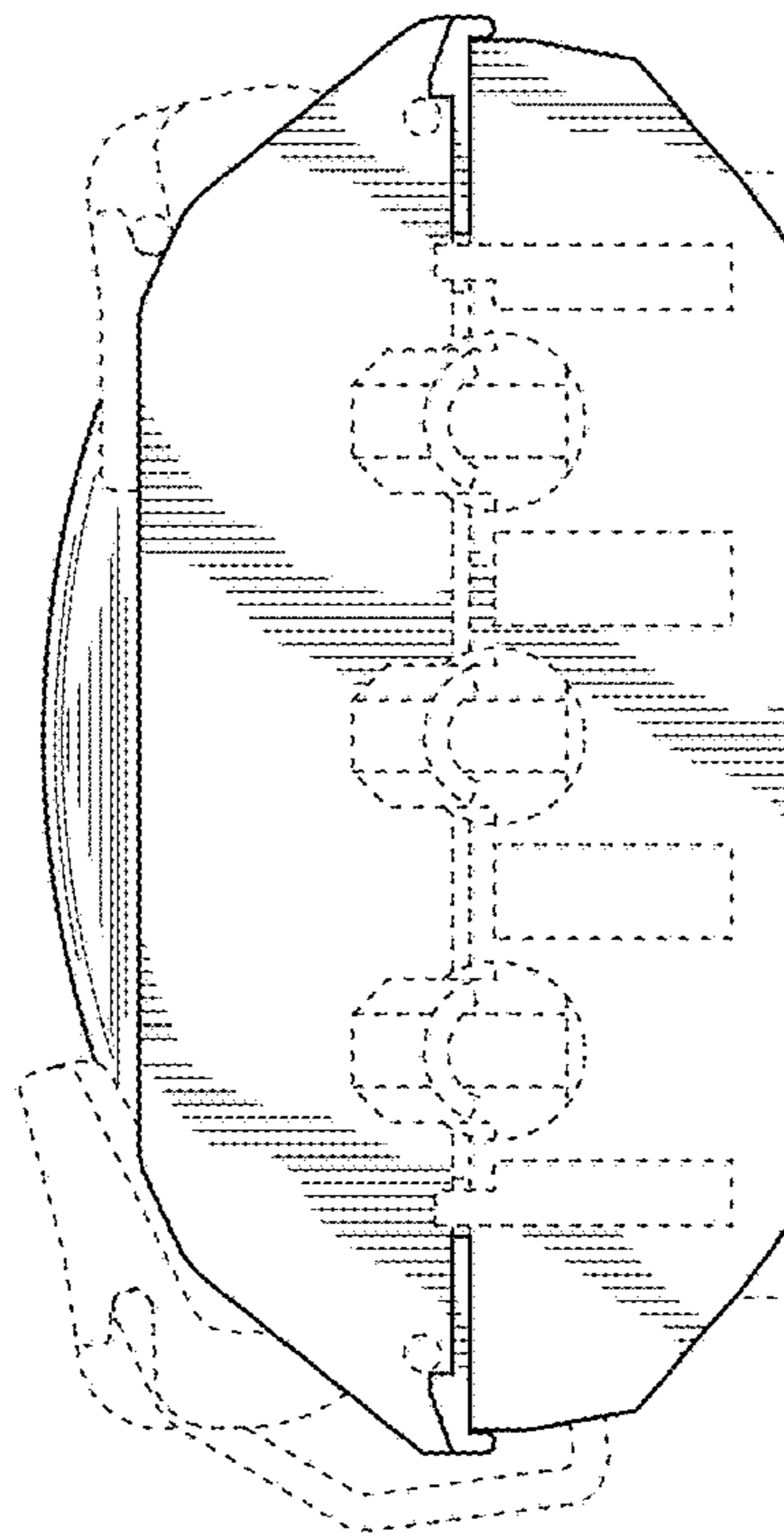


FIG. 7

UNITED STATES PATENT AND TRADEMARK OFFICE
CERTIFICATE OF CORRECTION

PATENT NO. : D831,578 S
APPLICATION NO. : 29/582529
DATED : October 23, 2018
INVENTOR(S) : Jedrzej Bubas et al.

Page 1 of 1

It is certified that error appears in the above-identified patent and that said Letters Patent is hereby corrected as shown below:

On the Title Page

In Column 1, item (71), Applicant, Lines 1-2, delete "CCS Technology, Inc., Wilmington, DE (US)" and insert -- Corning Optical Communications LLC, Hickory, NC (US) --, therefor.

Signed and Sealed this
Twenty-ninth Day of October, 2024



Katherine Kelly Vidal
Director of the United States Patent and Trademark Office