



US00D831577S

(12) **United States Design Patent**  
**Dallas**

(10) **Patent No.:** **US D831,577 S**

(45) **Date of Patent:** **\*\* Oct. 23, 2018**

(54) **ELECTRICAL SOCKET**

(71) Applicant: **Blount, Inc.**, Portland, OR (US)

(72) Inventor: **Edgar A. Dallas**, Beaverton, OR (US)

(73) Assignee: **Blount, Inc.**, Portland, OR (US)

(\*\*) Term: **15 Years**

(21) Appl. No.: **29/602,834**

(22) Filed: **May 3, 2017**

(51) **LOC (11) Cl.** ..... **13-03**

(52) **U.S. Cl.**  
USPC ..... **D13/147**

(58) **Field of Classification Search**  
USPC ..... D13/152, 119, 147, 156, 177, 184, 107,  
D13/108, 110, 123, 133, 137.1-137.4,  
D13/138.1-138.2, 139.1-139.8, 153, 154,  
D13/146, 158; D8/350, 351-353;  
D25/119, 127, 134, 48.4; D26/74, 138  
CPC ..... F21S 8/02; F21V 23/00; F21V 23/001;  
H01R 25/00; H01R 25/006; H01R 11/00;  
H01R 9/00; H01R 13/5845; H01R 13/72;  
H01R 31/06; H01R 24/28; H01R 13/46;  
F16J 13/10; F16B 5/02; H02J 2007/0062;  
H01B 7/2806

See application file for complete search history.

(56) **References Cited**

**U.S. PATENT DOCUMENTS**

D653,622 S \* 2/2012 Wang ..... D13/147  
D690,268 S \* 9/2013 Sasaki ..... D13/147

D690,269 S \* 9/2013 Sasaki ..... D13/147  
D693,310 S \* 11/2013 Wang ..... D13/147  
D706,721 S \* 6/2014 Naito ..... D13/147  
D710,309 S \* 8/2014 Arai ..... D13/147  
D713,349 S \* 9/2014 Igarashi ..... D13/147  
D730,292 S \* 5/2015 Wohlhueter ..... D13/147  
D743,895 S \* 11/2015 Akana ..... D13/147  
D806,037 S \* 12/2017 Tanaka ..... D13/147  
D811,348 S \* 2/2018 Cueller ..... D13/152

\* cited by examiner

*Primary Examiner* — Rosemary K Tarcza

*Assistant Examiner* — Christy M Nemeth

(74) *Attorney, Agent, or Firm* — Schwabe Williamson & Wyatt, P.C.

(57) **CLAIM**

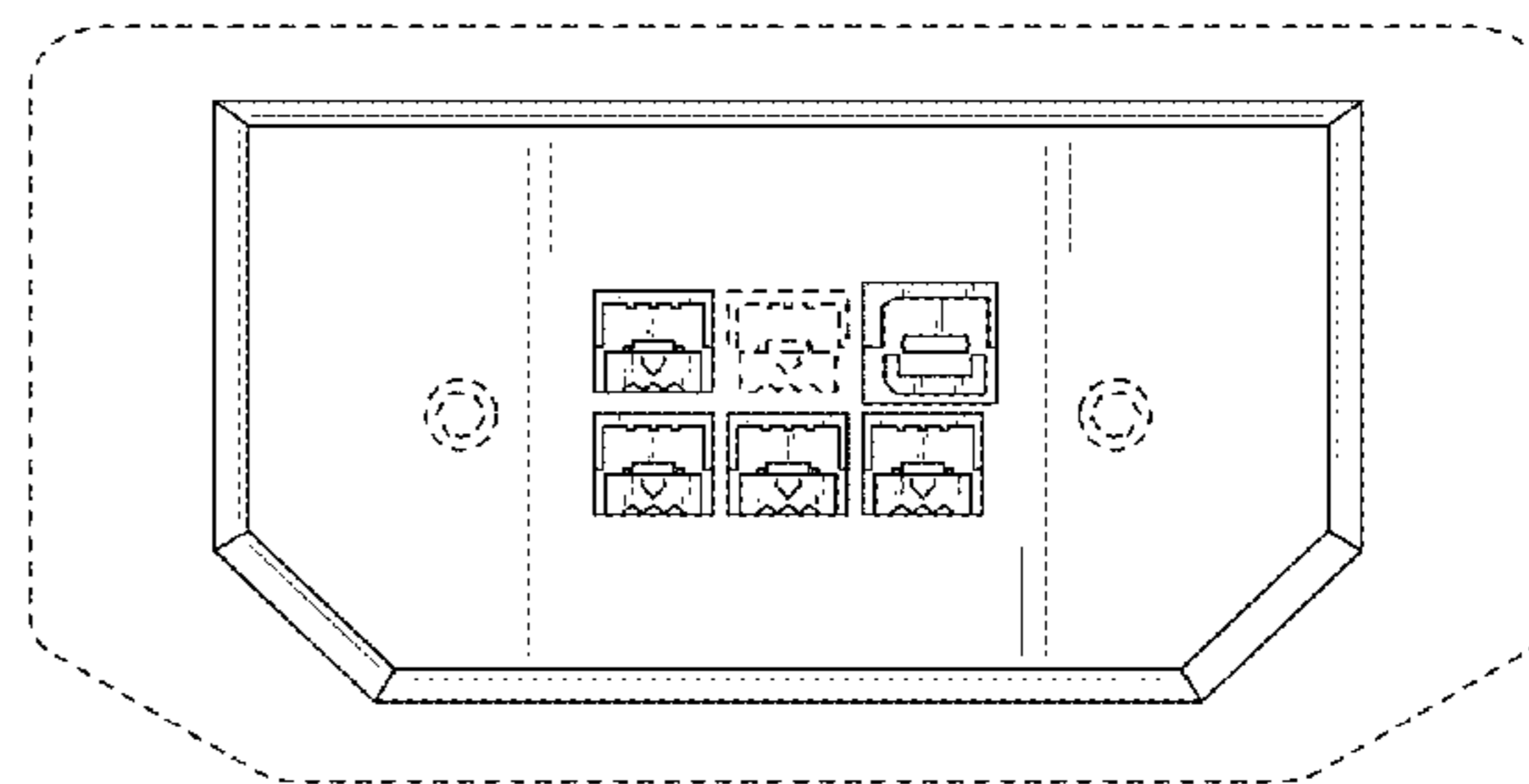
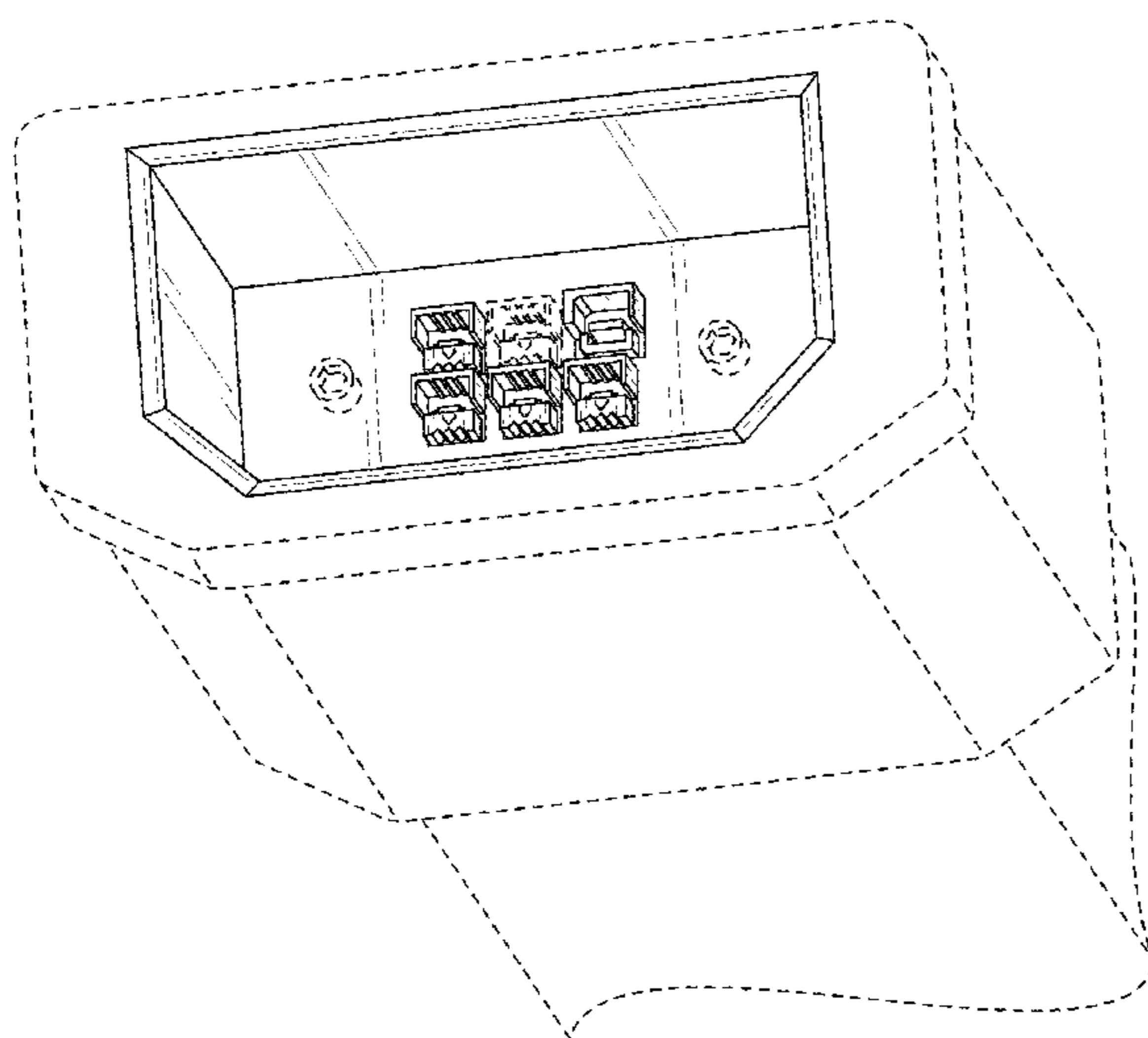
I claim the ornamental design for an electrical socket, as shown and described.

**DESCRIPTION**

FIG. 1 is a perspective view of an electrical socket, showing my new design;  
FIG. 2 is a front view thereof;  
FIG. 3 is a back view thereof;  
FIG. 4 is a left side view thereof;  
FIG. 5 is a right side view thereof;  
FIG. 6 is a top view thereof; and,  
FIG. 7 is a bottom view thereof.

The dashed lines are included for illustrating environmental structure and form no part of the claimed design.

**1 Claim, 7 Drawing Sheets**



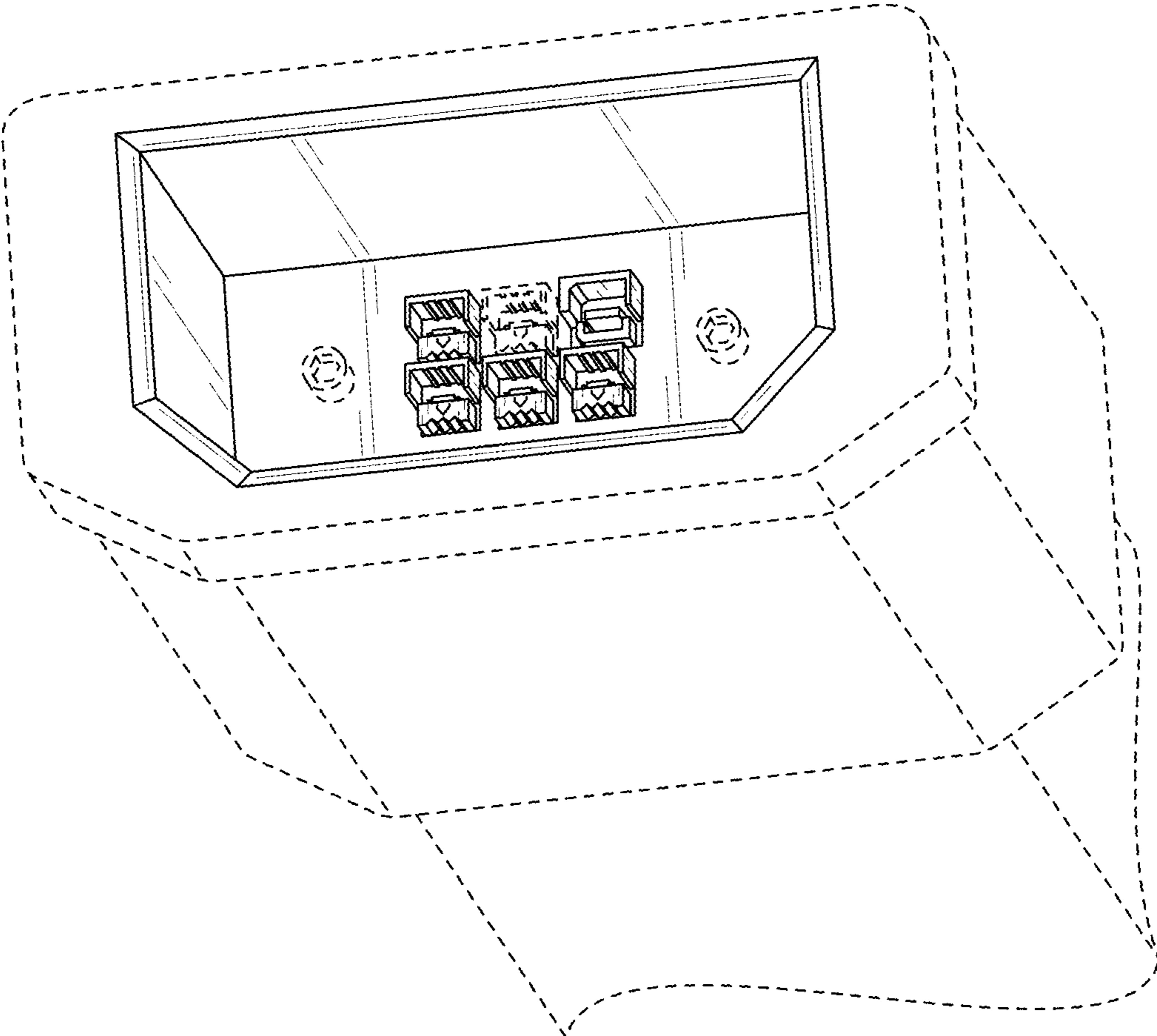


FIG. 1

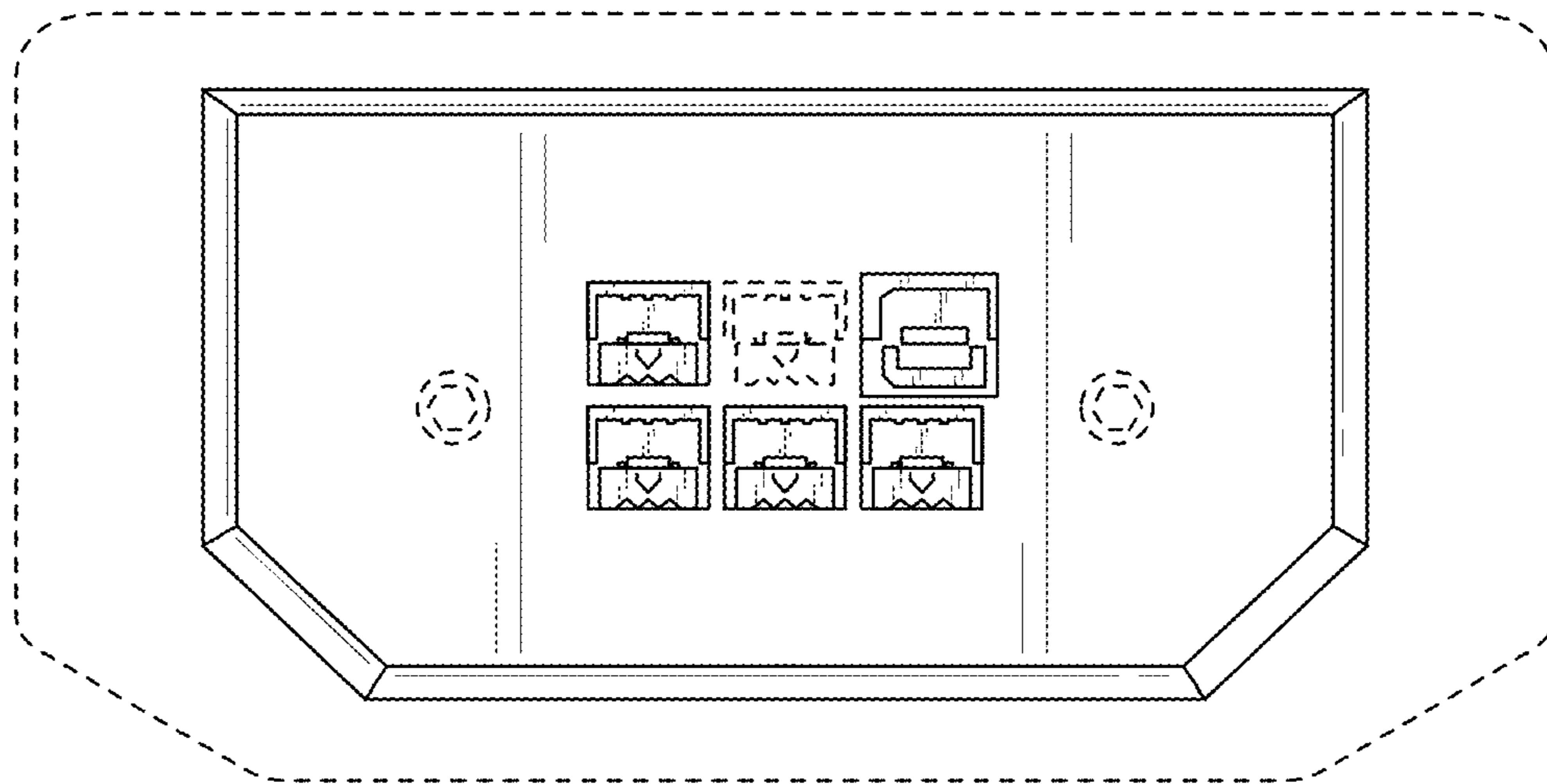


FIG. 2

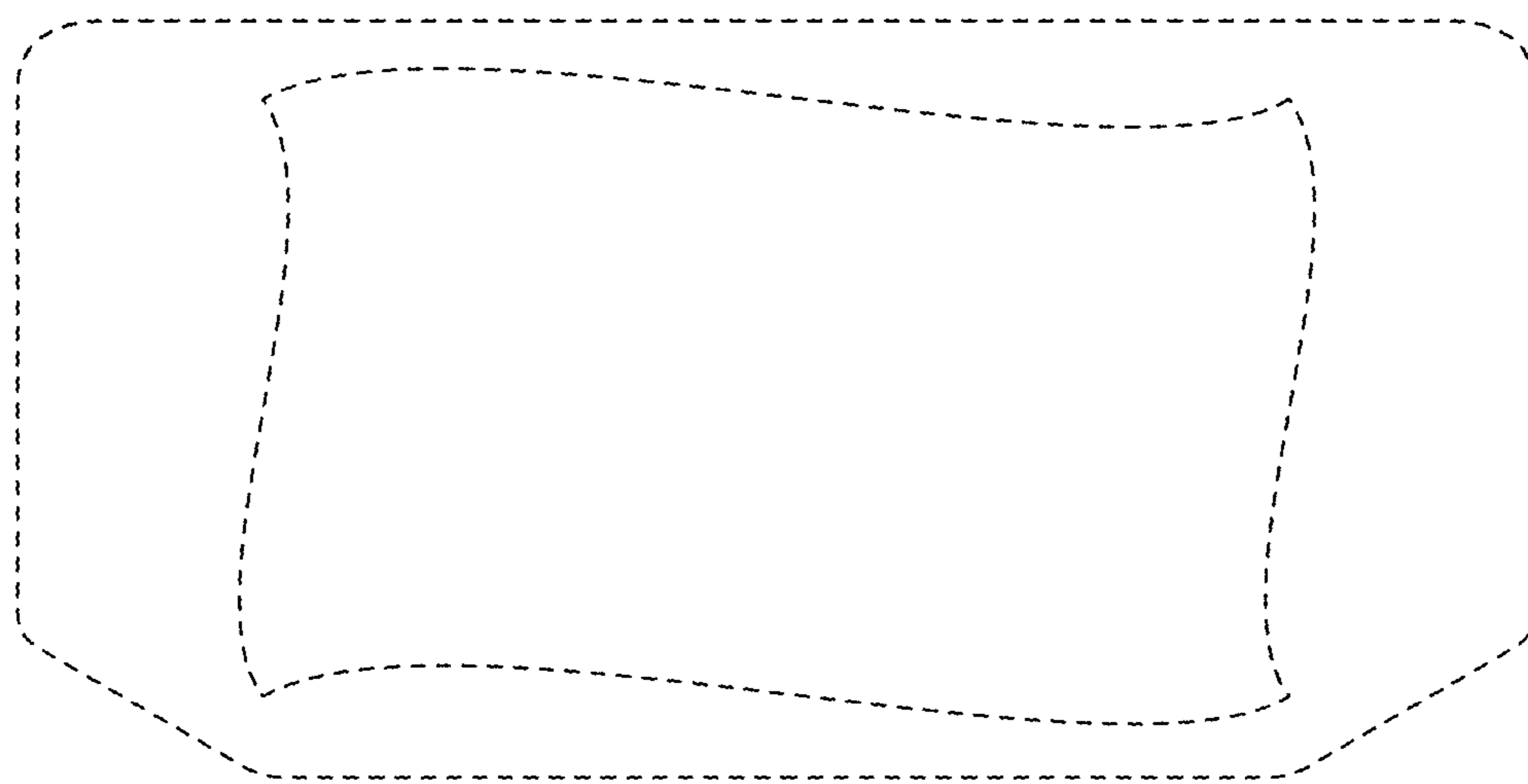


FIG. 3

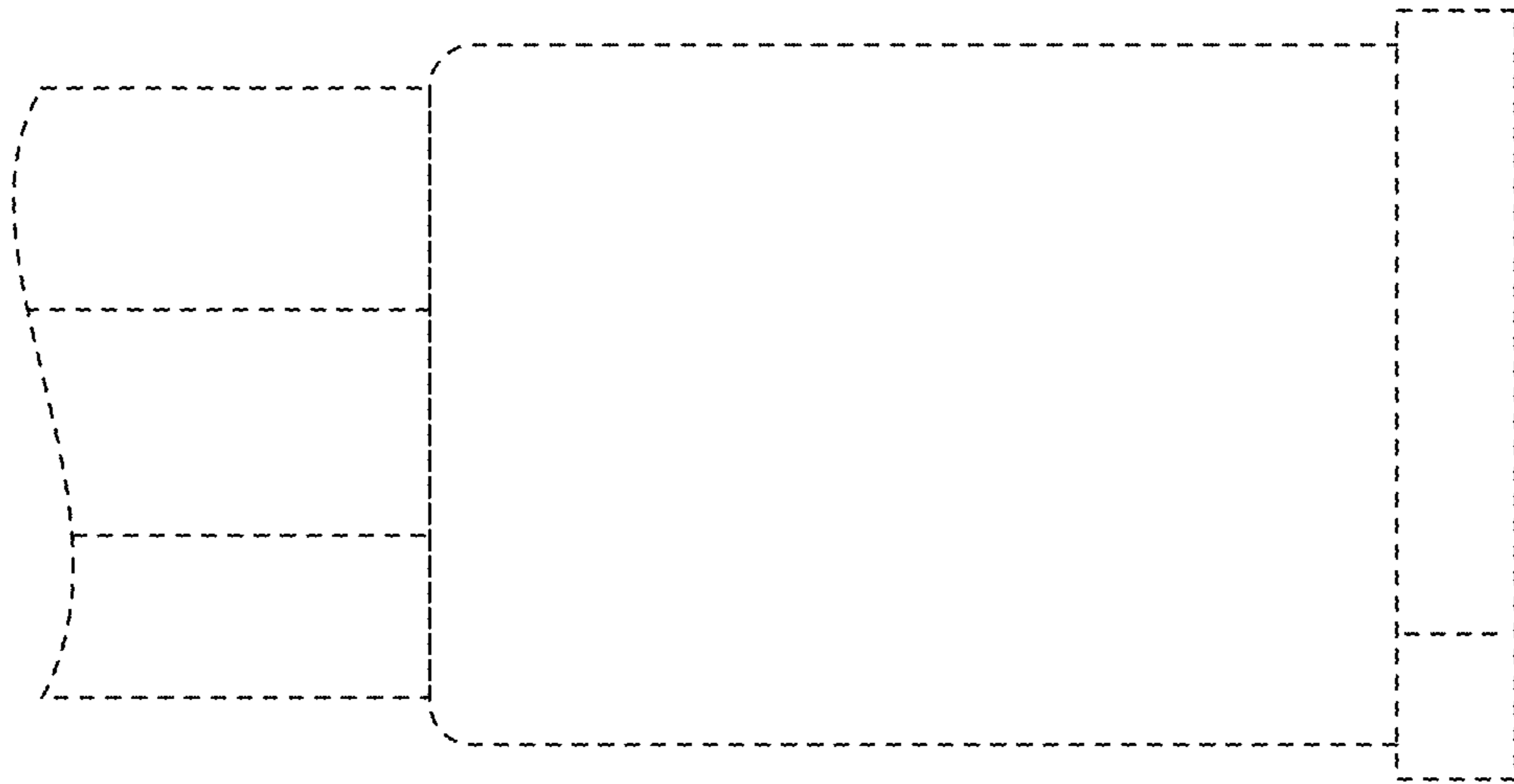


FIG. 4

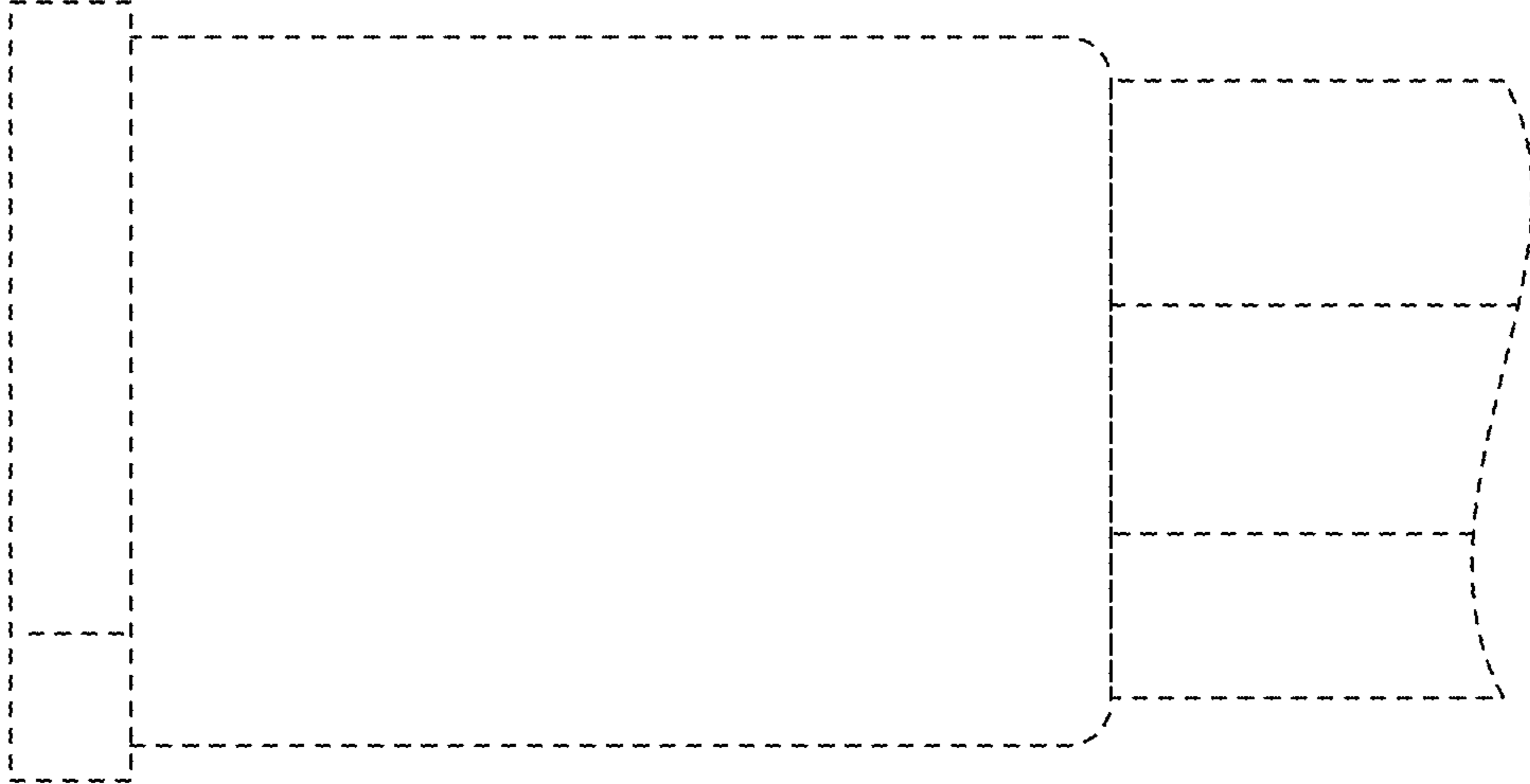


FIG. 5

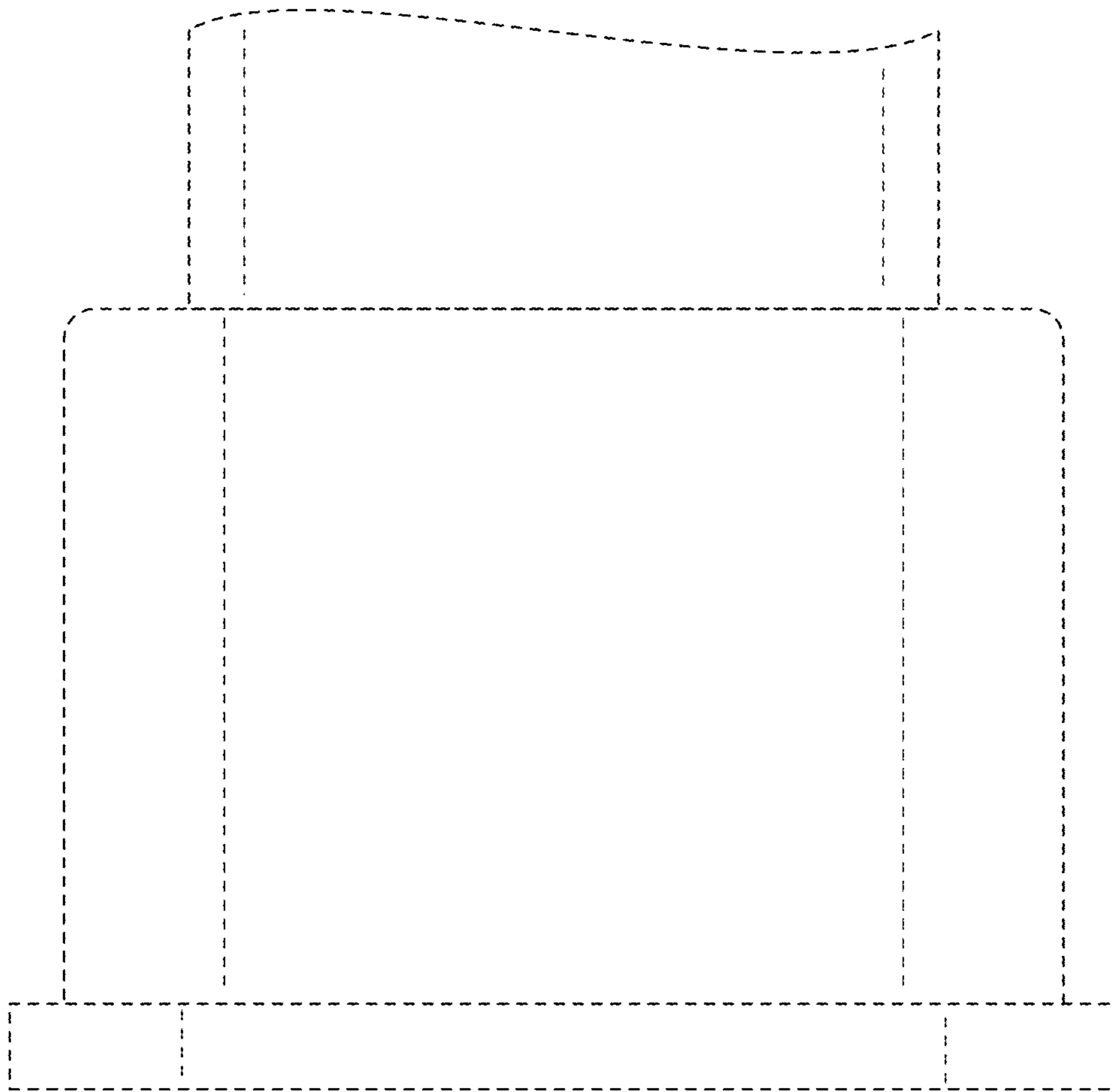


FIG. 6

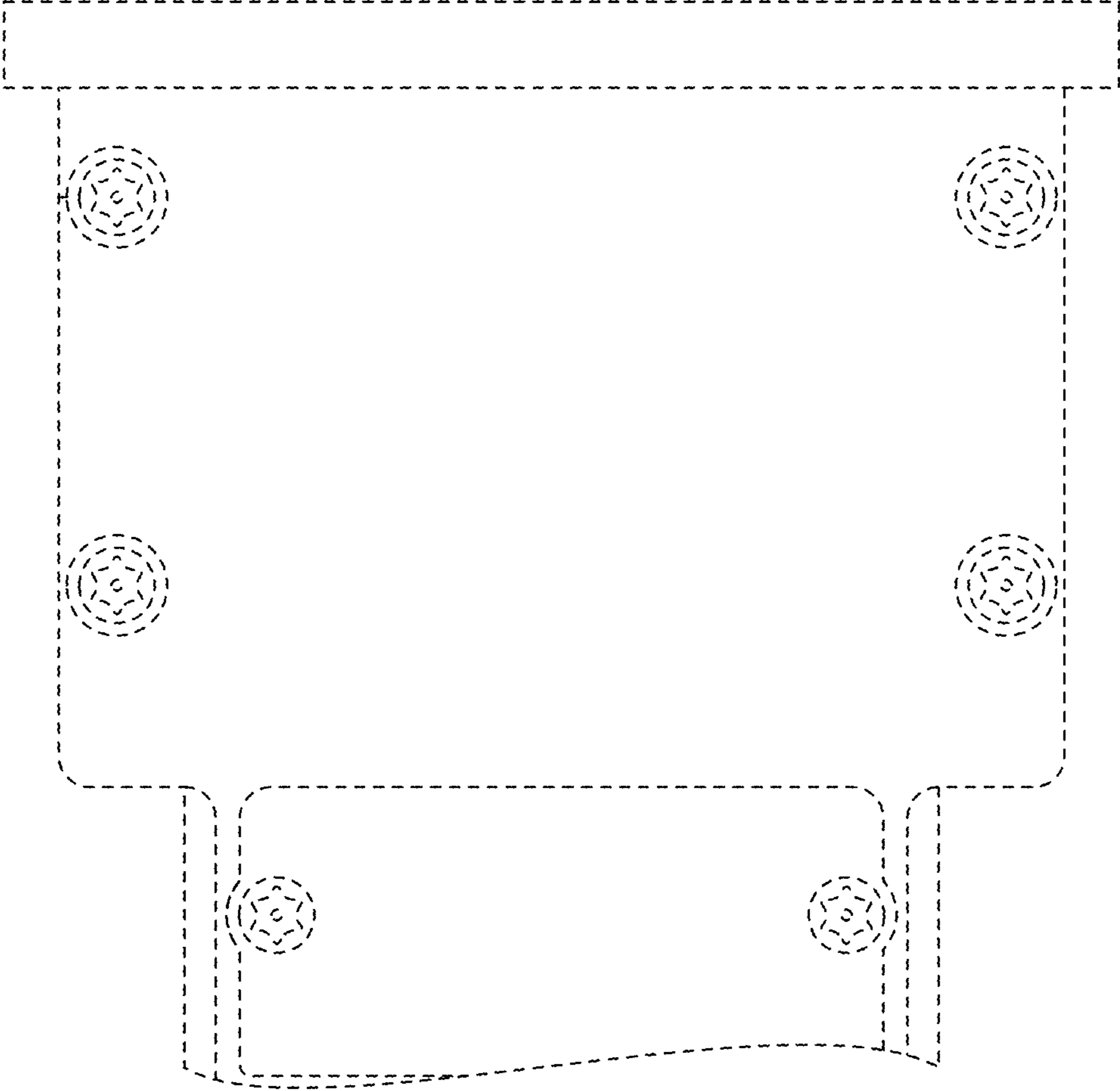


FIG. 7