



US00D831576S

(12) **United States Design Patent**
Davidson et al.

(10) **Patent No.:** **US D831,576 S**
(45) **Date of Patent:** **** Oct. 23, 2018**

(54) **WIRE HARNESS CONNECTOR**
(71) Applicant: **Coast Industries, LLC**, Las Vegas, NV (US)
(72) Inventors: **Patrick Davidson**, Las Vegas, NV (US); **Dorian Ferrari**, Colorado Springs, CO (US)
(73) Assignee: **Coast Industries, LLC**, Henderson, NV (US)
(**) Term: **15 Years**
(21) Appl. No.: **29/602,254**

(22) Filed: **Apr. 28, 2017**
(51) **LOC (11) Cl.** **13-03**
(52) **U.S. Cl.**
USPC **D13/147**
(58) **Field of Classification Search**
USPC D13/123, 133, 146, 147, 154, 184, 199
CPC H01R 12/50; H01R 12/51; H01R 12/52;
H01R 12/57; H01R 12/58; H01R 12/59;
H01R 12/592; H01R 12/62; H01R 12/70;
H01R 12/7005; H01R 12/73; H01R 12/732;
H01R 12/737; H01R 12/777; H01R 12/778;
H01R 12/79; H01R 13/213; H01R 13/2464; H01R 13/2492;
H01R 13/26; H01R 13/28; H01R 13/428; H01R 13/434;
H01R 13/4362; H01R 13/4534; H01R 13/506; H01R 13/508;
H01R 13/5804; H01R 13/5816; H01R 13/585; H01R 13/6271; H01R 13/635
See application file for complete search history.

(56) **References Cited**

U.S. PATENT DOCUMENTS

D325,372 S * 4/1992 Taguchi D13/147
5,141,452 A * 8/1992 Yoneda H01R 13/4368
439/595

5,205,763 A * 4/1993 Watanabe H01R 13/4368
439/595
D459,309 S * 6/2002 Tanaka D13/147
D472,524 S * 4/2003 Yamawaki D13/147
D593,497 S * 6/2009 Mase D13/146
D593,952 S * 6/2009 Derksen D13/147

(Continued)

Primary Examiner — Daniel Bui

(74) *Attorney, Agent, or Firm* — Knobbe Martens Olson & Bear LLP

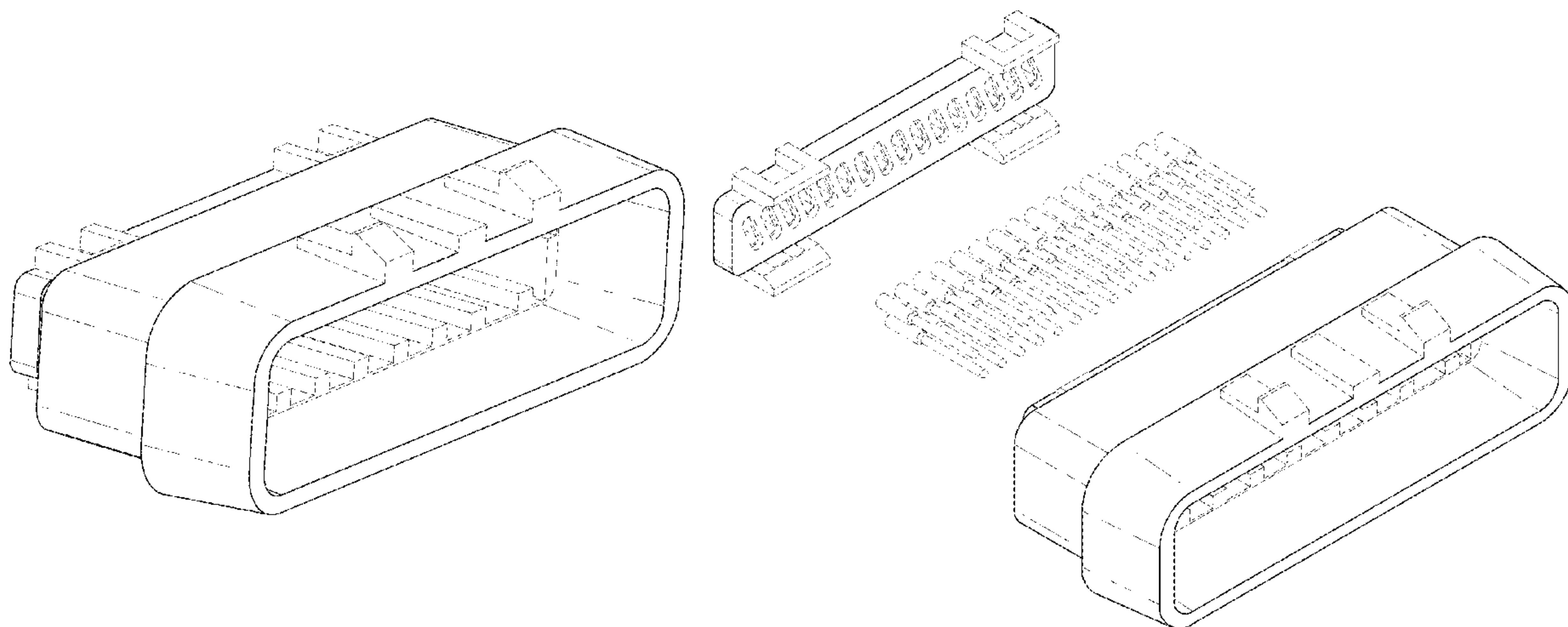
(57) **CLAIM**

The ornamental design for a wire harness connector, as shown and described.

DESCRIPTION

FIG. 1 is a front, top and left side perspective view of a wire harness connector, which consists of a clip and a body, in a connected state, showing our new design;
FIG. 2 is back, top and left side perspective view thereof;
FIG. 3 is a front, top and left side perspective thereof, in a disconnected state;
FIG. 4 is a left side elevation view thereof, in a connected state;
FIG. 5 is a right side elevation view thereof;
FIG. 6 is a top plan view thereof;
FIG. 7 is a bottom plan view thereof;
FIG. 8 is a front elevation view thereof;
FIG. 9 is a back elevation view thereof;
FIG. 10 is a back, top and left side perspective view of the clip of a wire harness connector thereof;
FIG. 11 is a front, top and left side perspective view thereof;
FIG. 12 is a top plan view thereof;
FIG. 13 is a bottom plan view thereof;
FIG. 14 is a back elevation view thereof;
FIG. 15 is a left side elevation view thereof; and,
FIG. 16 is a right side elevation view thereof.
In the drawing, the broken line represents unclaimed environment only and forms no part of the claimed design.

1 Claim, 13 Drawing Sheets



(56)

References Cited

U.S. PATENT DOCUMENTS

D599,297 S * 9/2009 Chen D13/147
D605,602 S * 12/2009 Mase D13/147

* cited by examiner

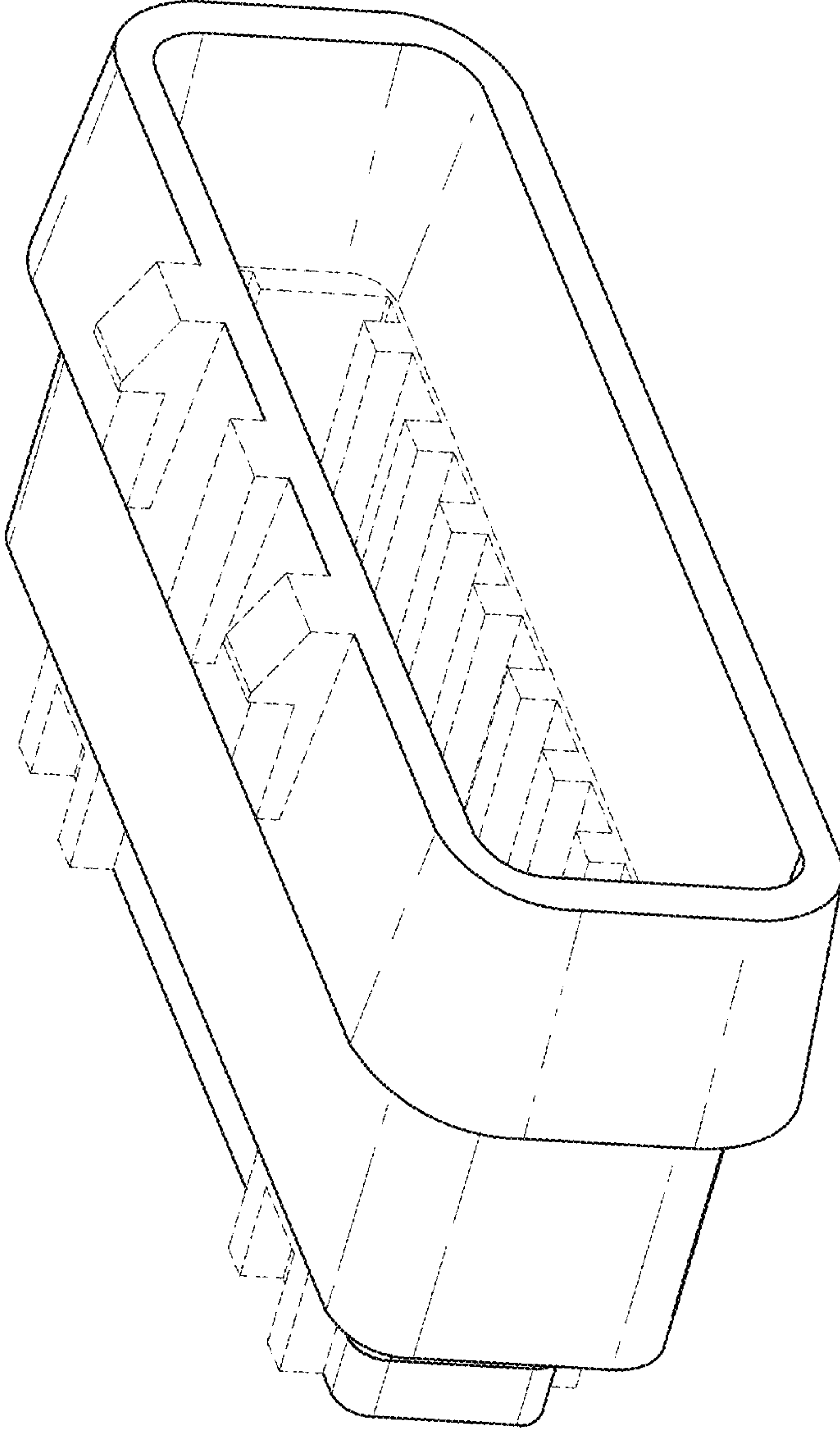


FIG. 1

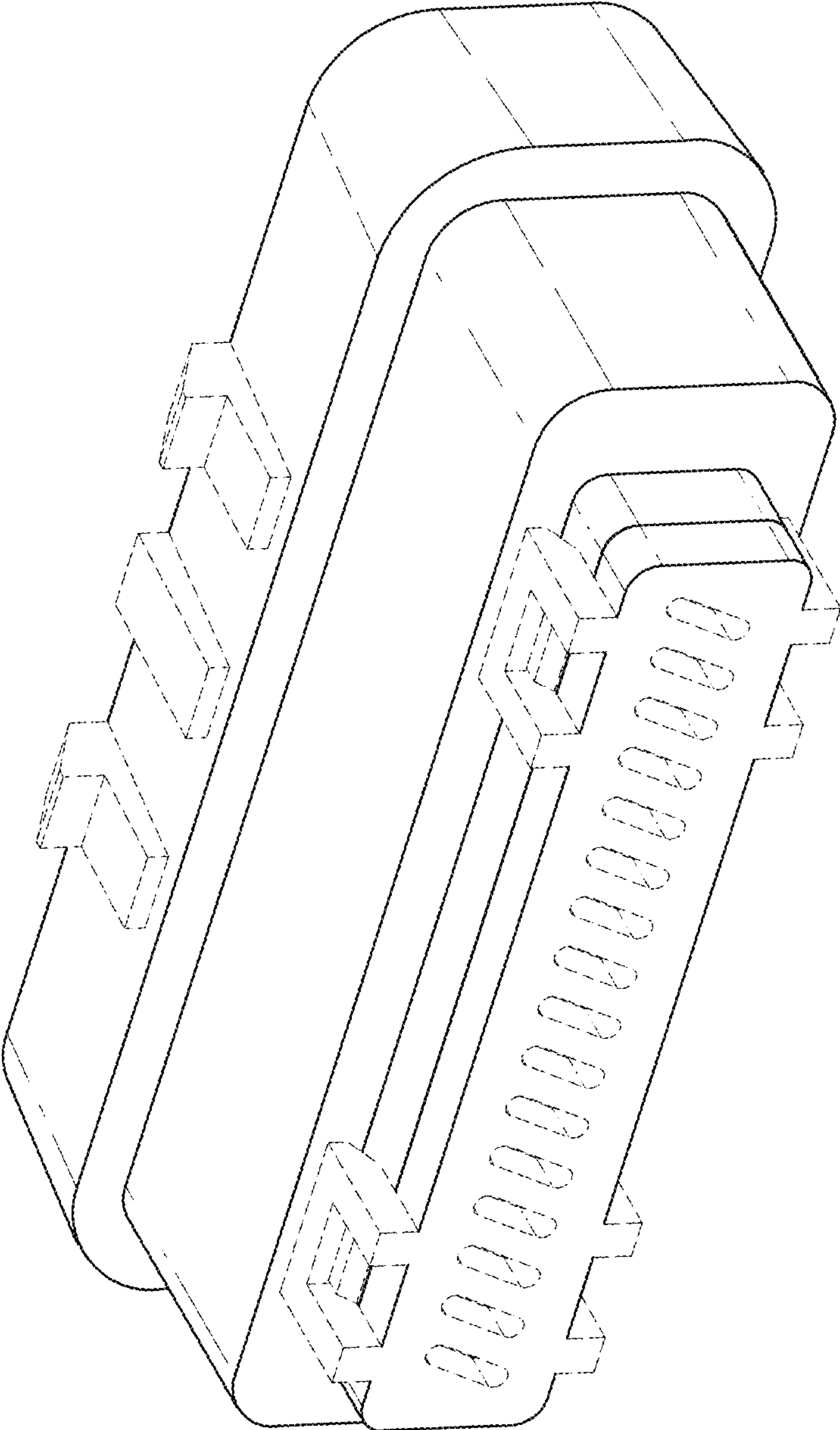
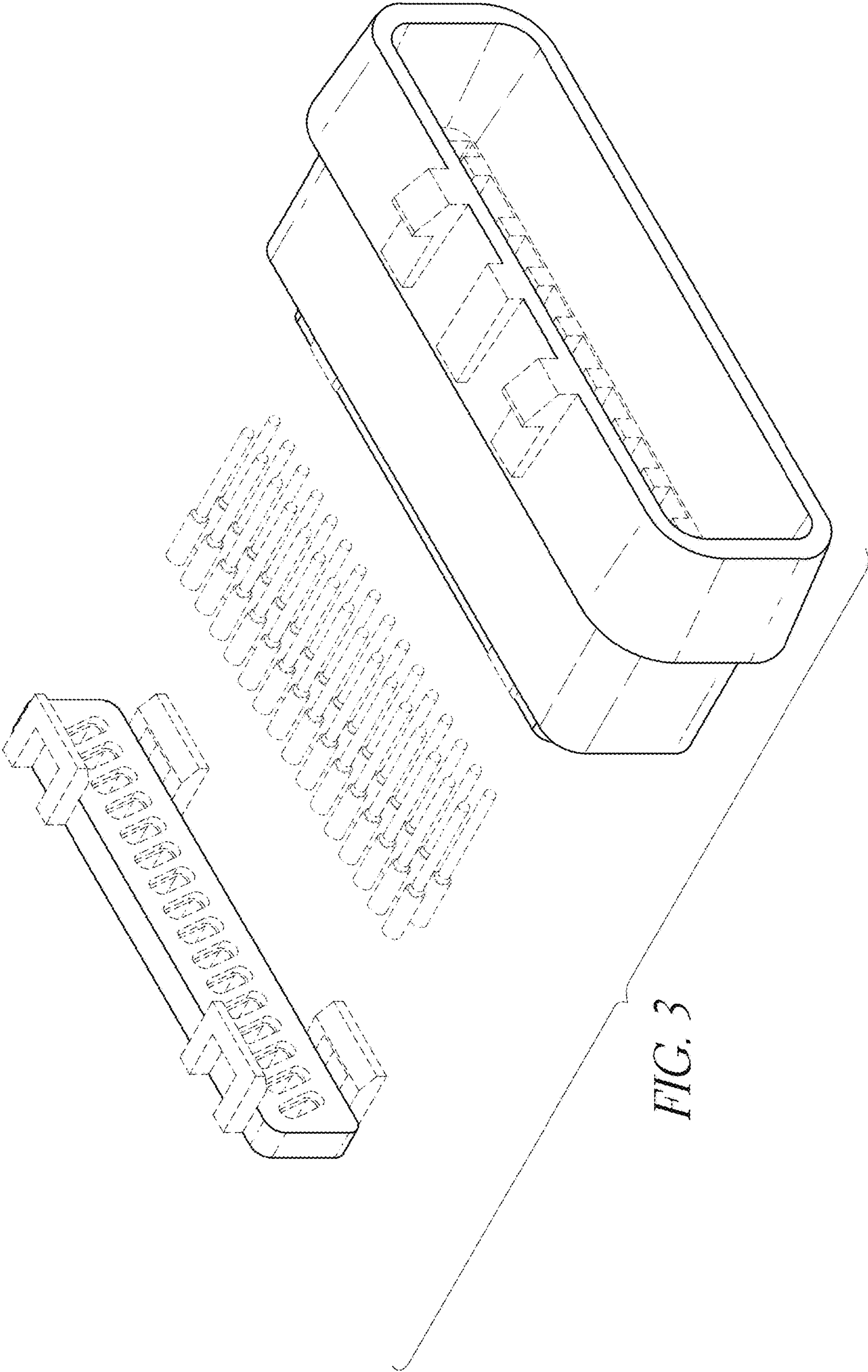


FIG. 2



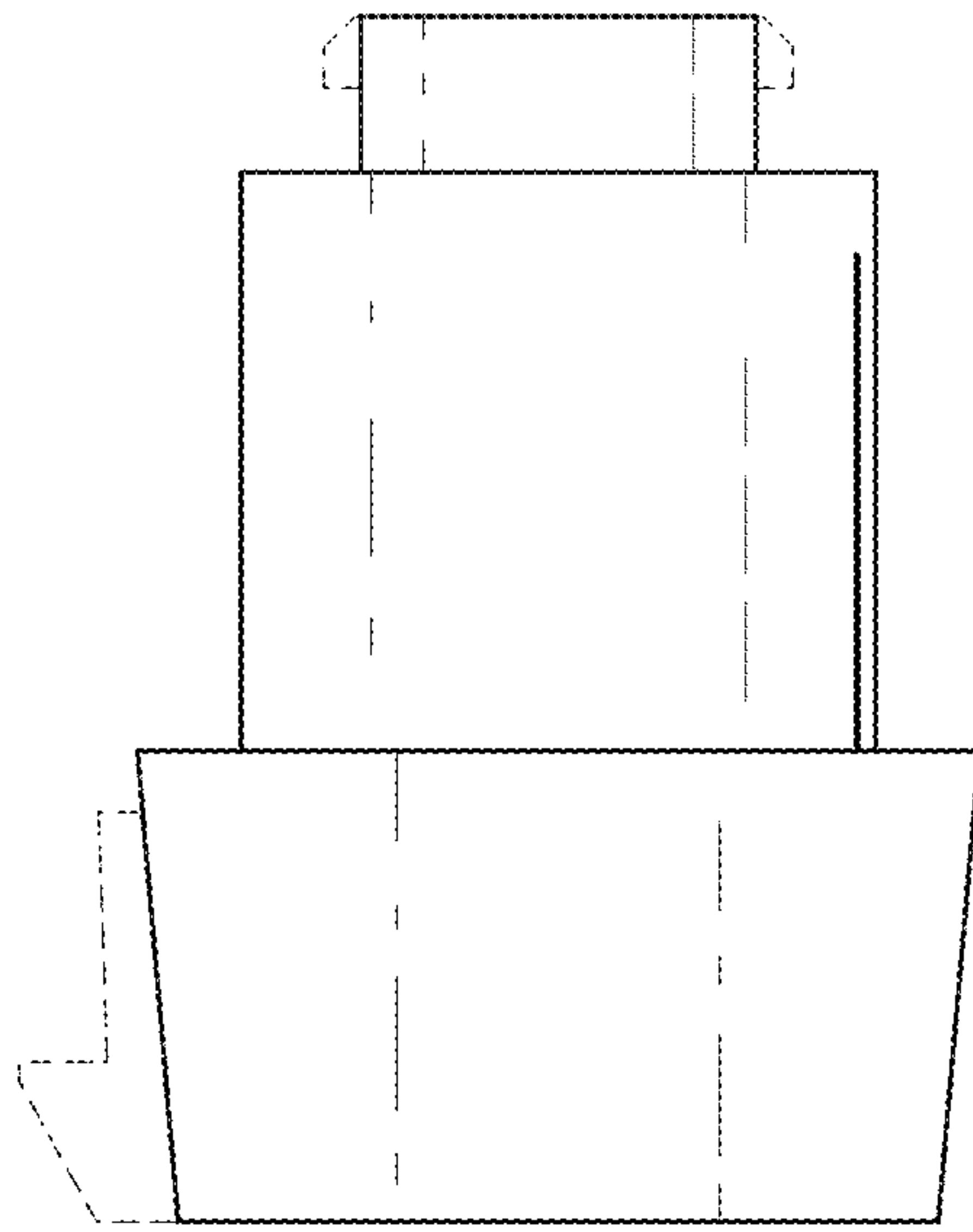


FIG. 5

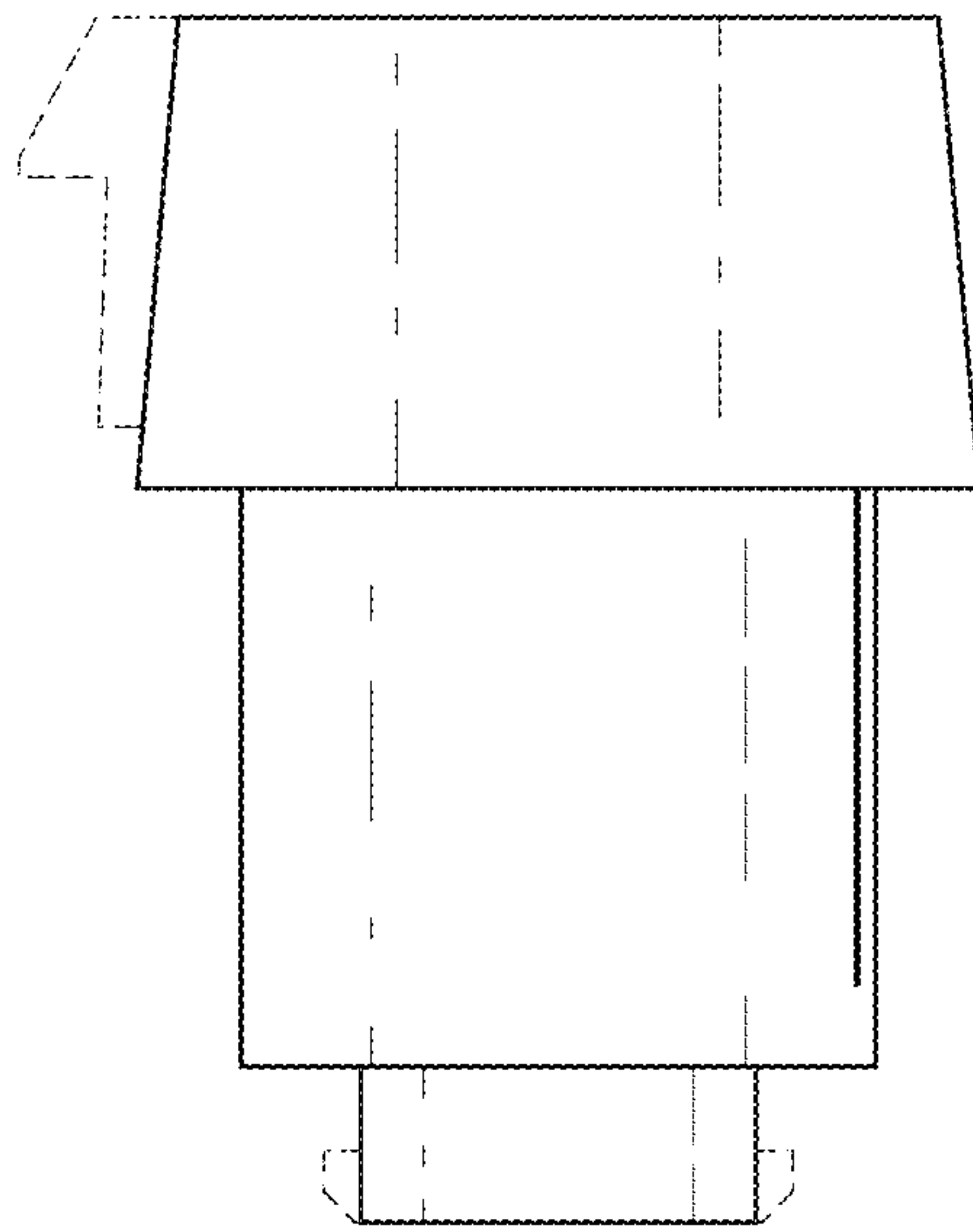


FIG. 4

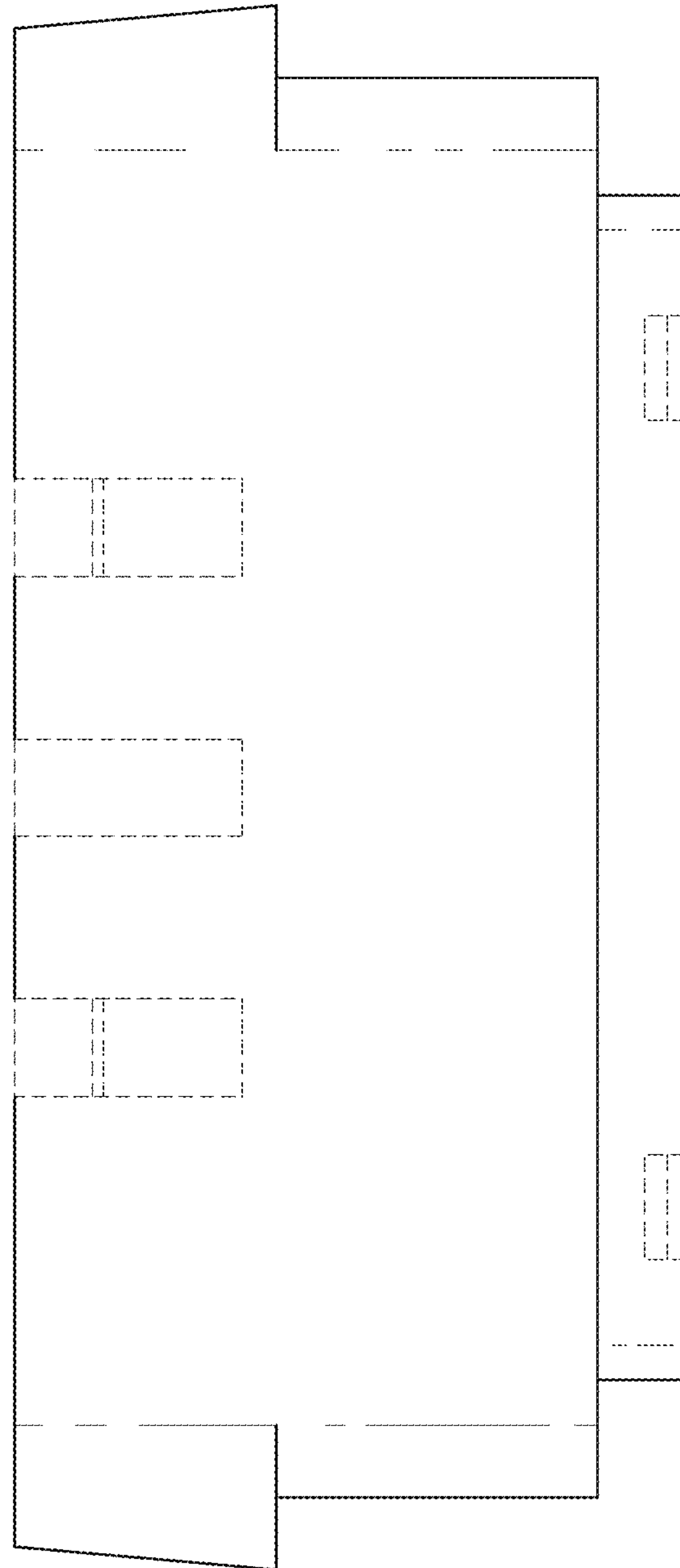


FIG. 6

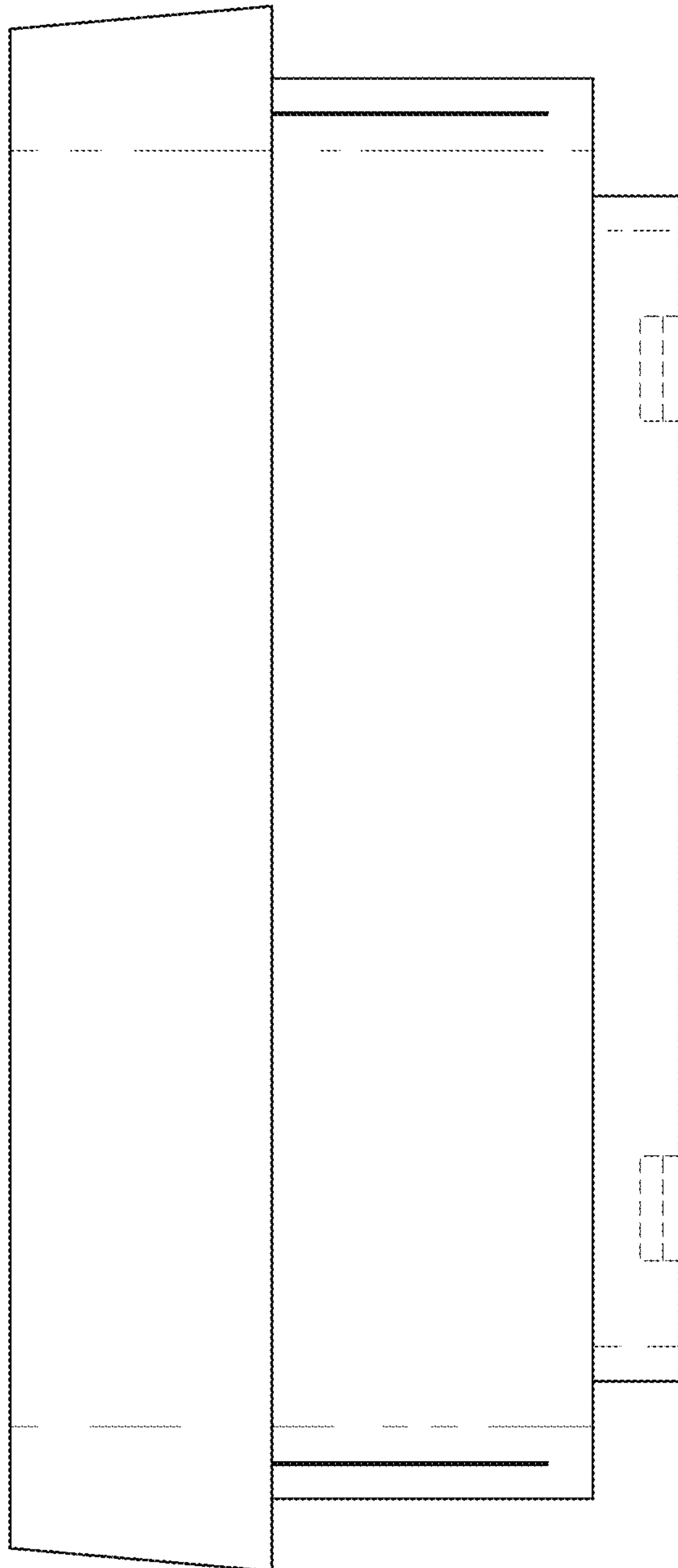


FIG. 7

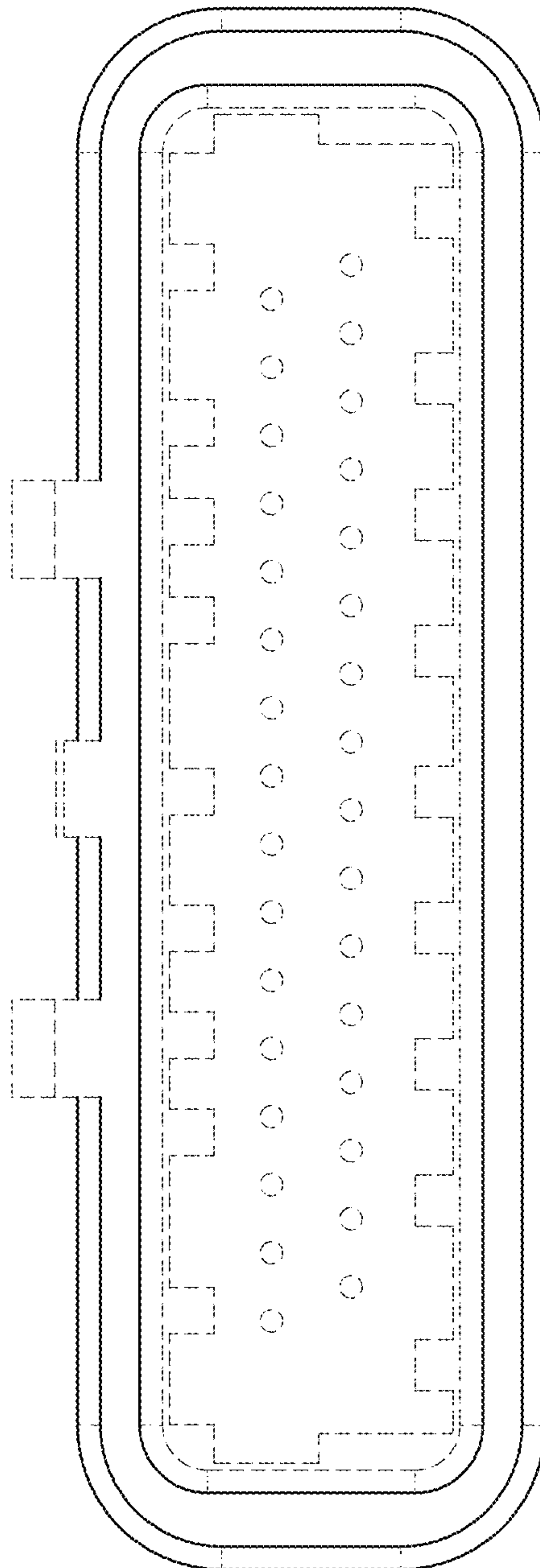


FIG. 8

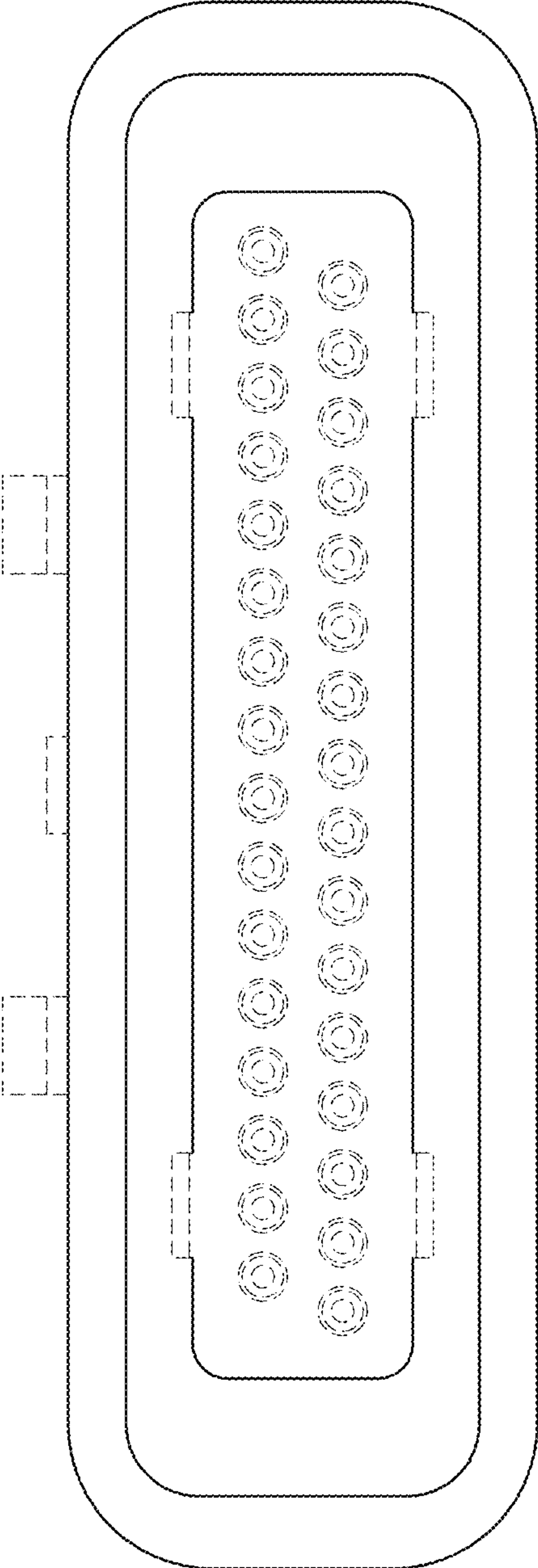


FIG. 9

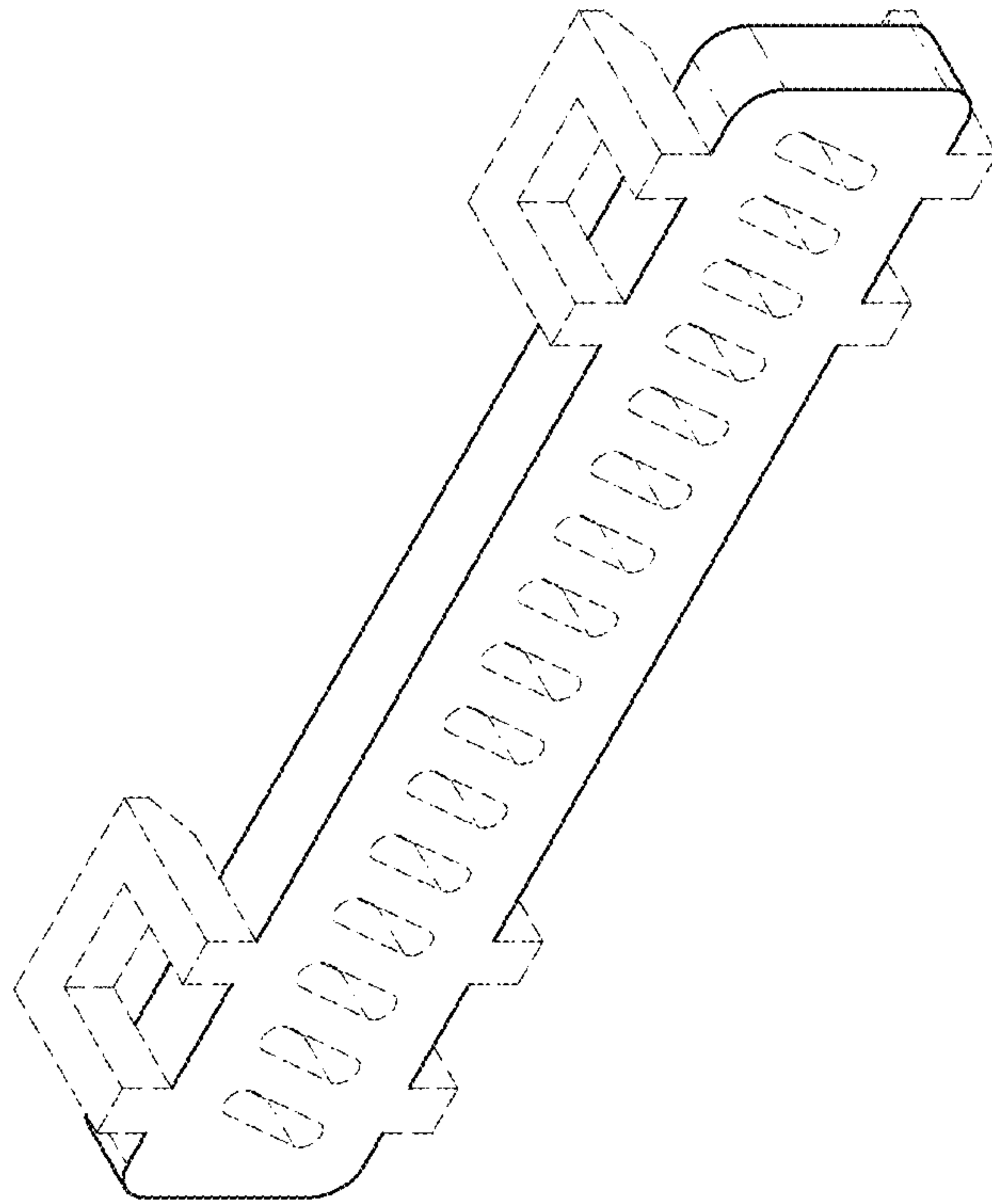


FIG. 10

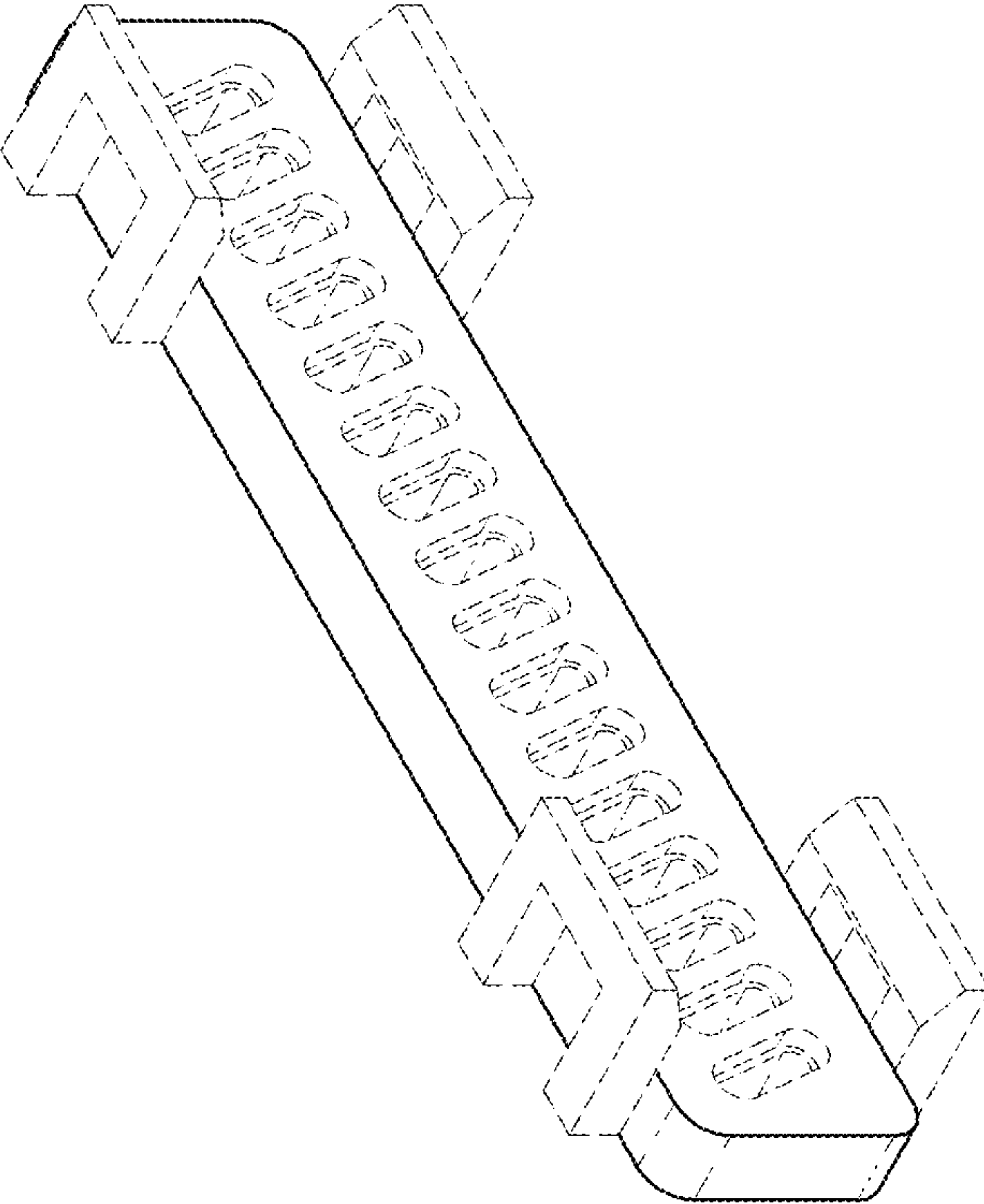


FIG. 11

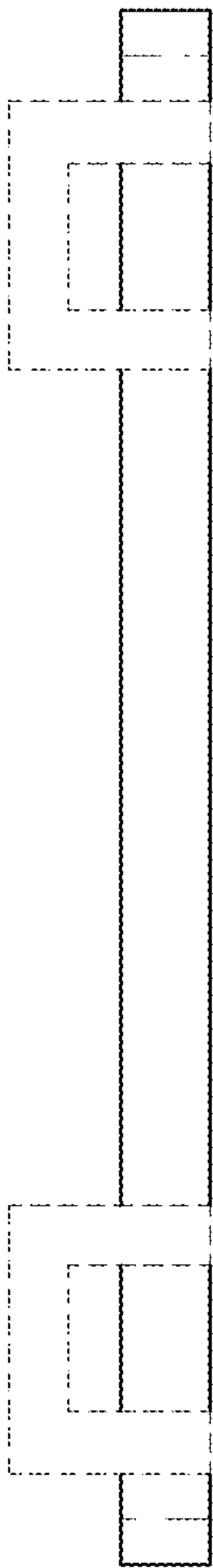


FIG. 12



FIG. 13

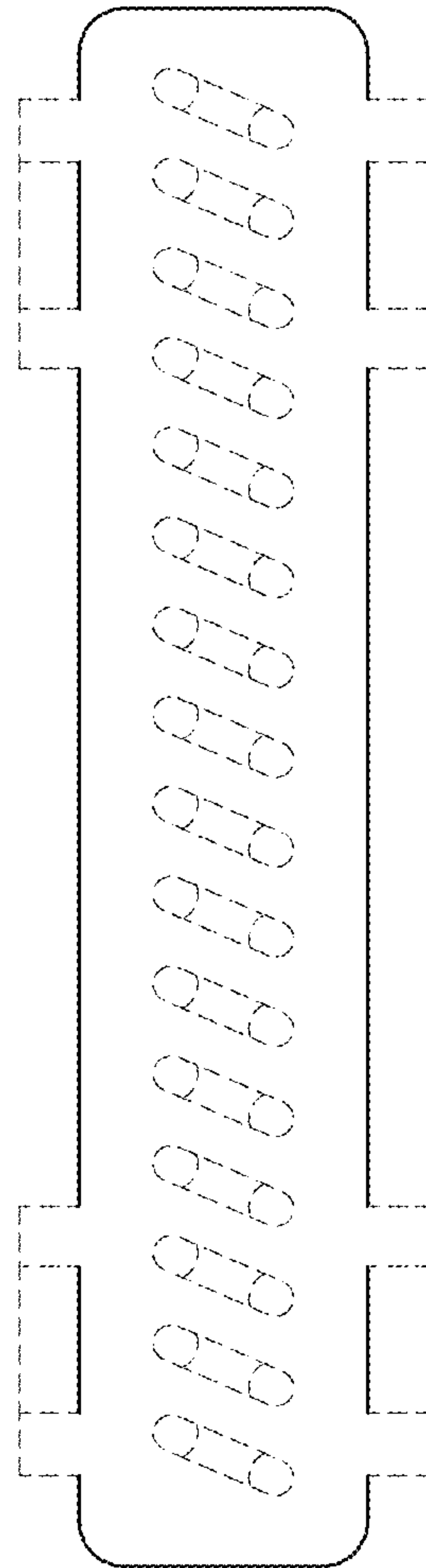


FIG. 14

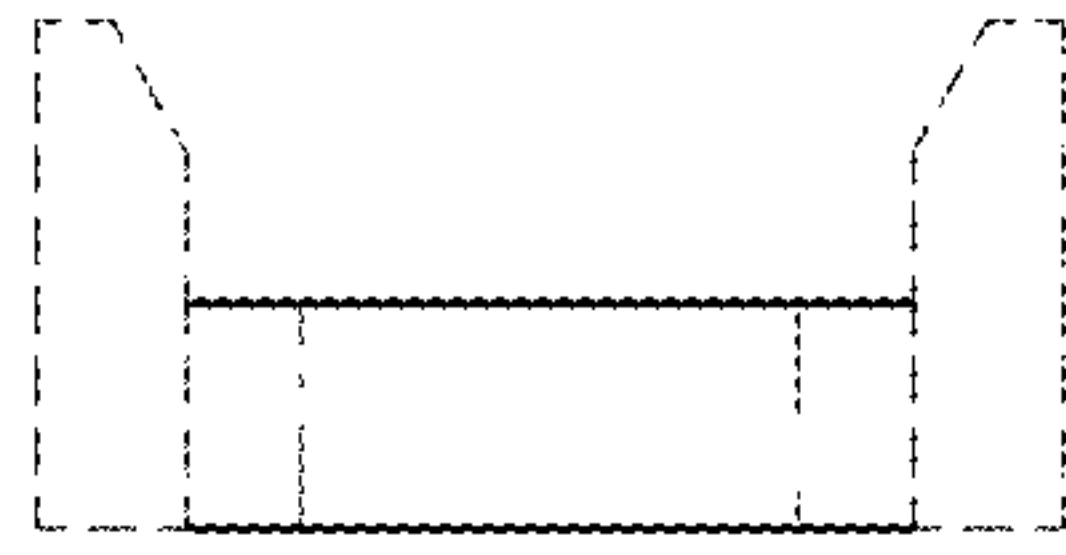


FIG. 16

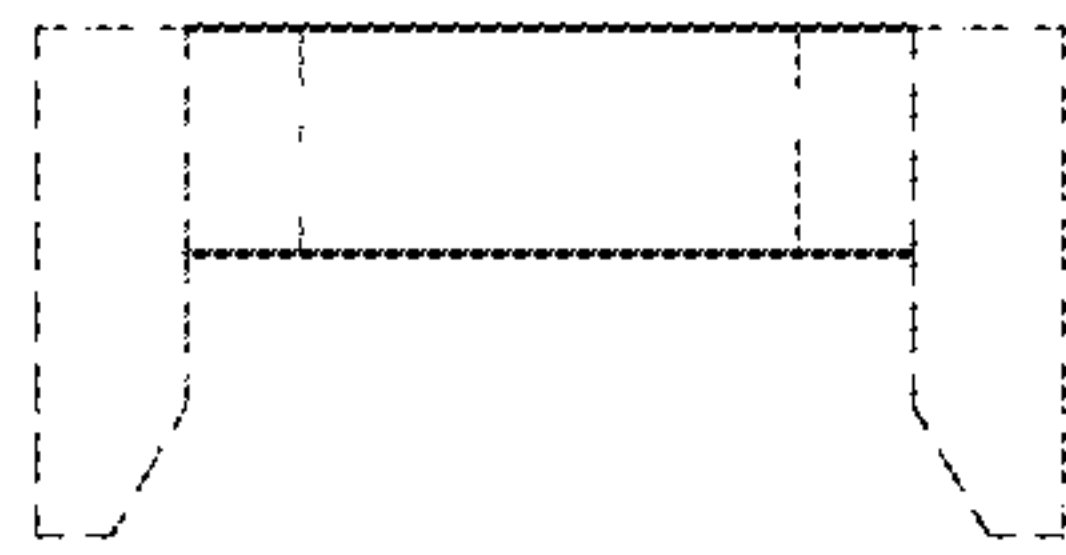


FIG. 15