



US00D831575S

(12) **United States Design Patent** (10) **Patent No.:** **US D831,575 S**
Moreno et al. (45) **Date of Patent:** **** Oct. 23, 2018**

(54) **ELECTRICAL CONNECTOR**

(56) **References Cited**

(71) Applicant: **Schweitzer Engineering Laboratories, Inc.**, Pullman, WA (US)

U.S. PATENT DOCUMENTS

(72) Inventors: **Julio C. Moreno**, Lewiston, ID (US);
David Glen Riley, Clarkston, WA (US);
Jonathan James Richards, Pullman, WA (US);
Michael E. Stolp, Lewiston, ID (US);
Mike Timothy Strickler, Liberty Lake, WA (US)

D405,053 S * 2/1999 Tan D13/147
D593,952 S * 6/2009 Derksen D13/147
D680,497 S * 4/2013 Lan D13/147
D706,221 S * 6/2014 Grant D13/147

* cited by examiner

(73) Assignee: **Schweitzer Engineering Laboratories, Inc.**, Pullman, WA (US)

Primary Examiner — Daniel Bui

(74) *Attorney, Agent, or Firm* — Richard M. Edge

(**) Term: **15 Years**

(57) **CLAIM**

The ornamental design for an electrical connector, substantially as shown and described.

(21) Appl. No.: **29/581,524**

DESCRIPTION

(22) Filed: **Oct. 19, 2016**

(51) **LOC (11) Cl.** **13-03**

(52) **U.S. Cl.** **D13/147**

(58) **Field of Classification Search**

USPC D13/123, 133, 146, 147, 154, 184, 199

CPC H01R 12/50; H01R 12/51; H01R 12/52;

H01R 12/57; H01R 12/58; H01R 12/59;

H01R 12/592; H01R 12/62; H01R 12/70;

H01R 12/7005; H01R 12/73; H01R

12/732; H01R 12/737; H01R 12/777;

H01R 12/778; H01R 12/79; H01R

13/213; H01R 13/2464; H01R 13/2492;

H01R 13/26; H01R 13/28; H01R 13/428;

H01R 13/434; H01R 13/4362; H01R

13/4534; H01R 13/506; H01R 13/508;

H01R 13/5804; H01R 13/5816; H01R

13/585; H01R 13/6271; H01R 13/635

See application file for complete search history.

FIG. 1 is a front, top, and left side perspective view of an electrical connector showing our new design;

FIG. 2 is a front elevational view thereof shown with unclaimed environments;

FIG. 3 is a back elevational view thereof shown with unclaimed environments;

FIG. 4 is a left side elevational view thereof;

FIG. 5 is a right side elevational view thereof;

FIG. 6 is a top plan view thereof;

FIG. 7 is a bottom plan view thereof;

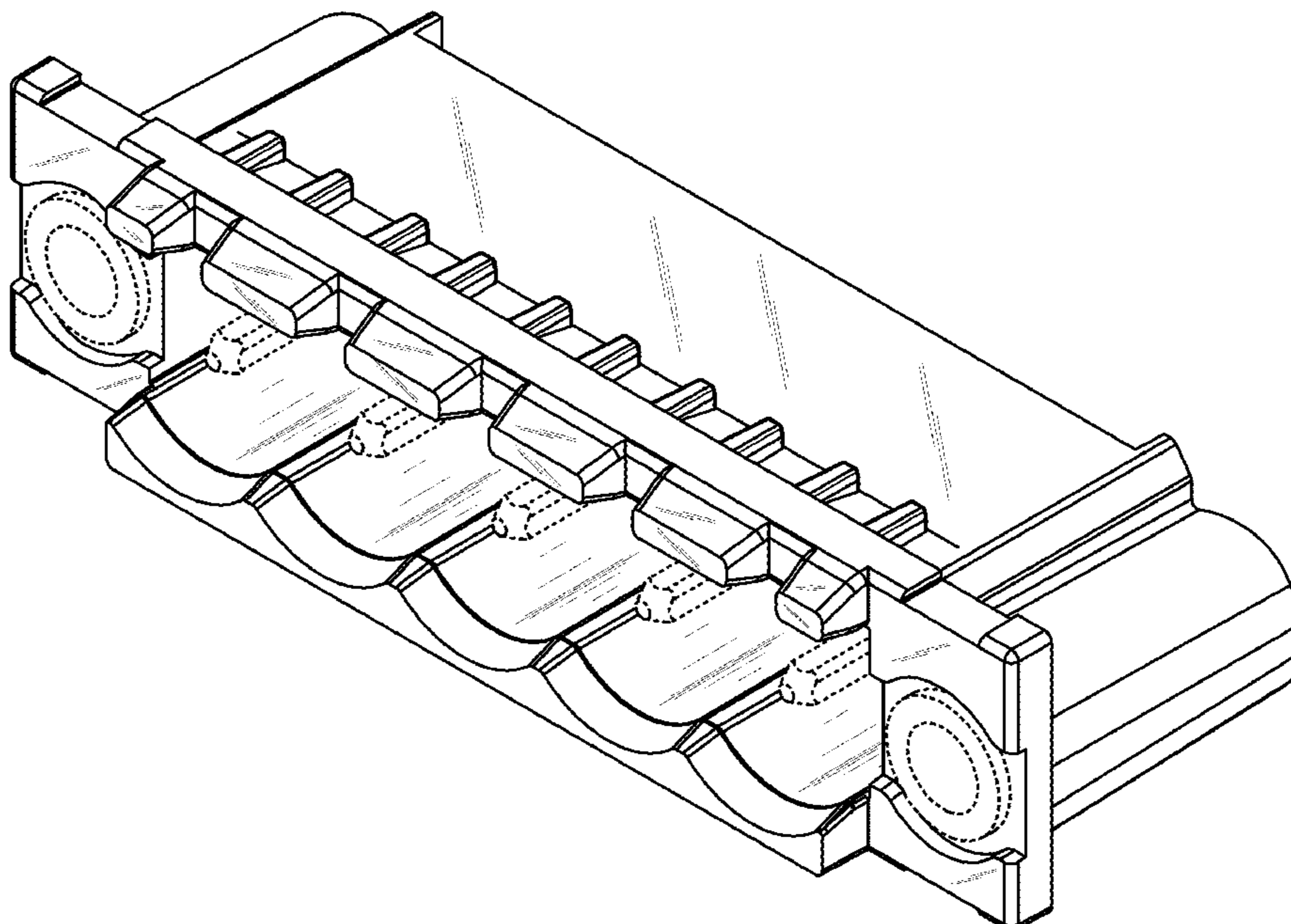
FIG. 8 is a back, bottom, and right side perspective view thereof;

FIG. 9 is a front, top, and left side perspective view thereof, shown with unclaimed environments in an exploded condition; and,

FIG. 10 is a front, top, and right side perspective view thereof, shown in use condition with unclaimed environments.

The broken line in the figure drawings is included for the purpose of illustrating unclaimed environment and forms no part of the claimed design.

1 Claim, 8 Drawing Sheets



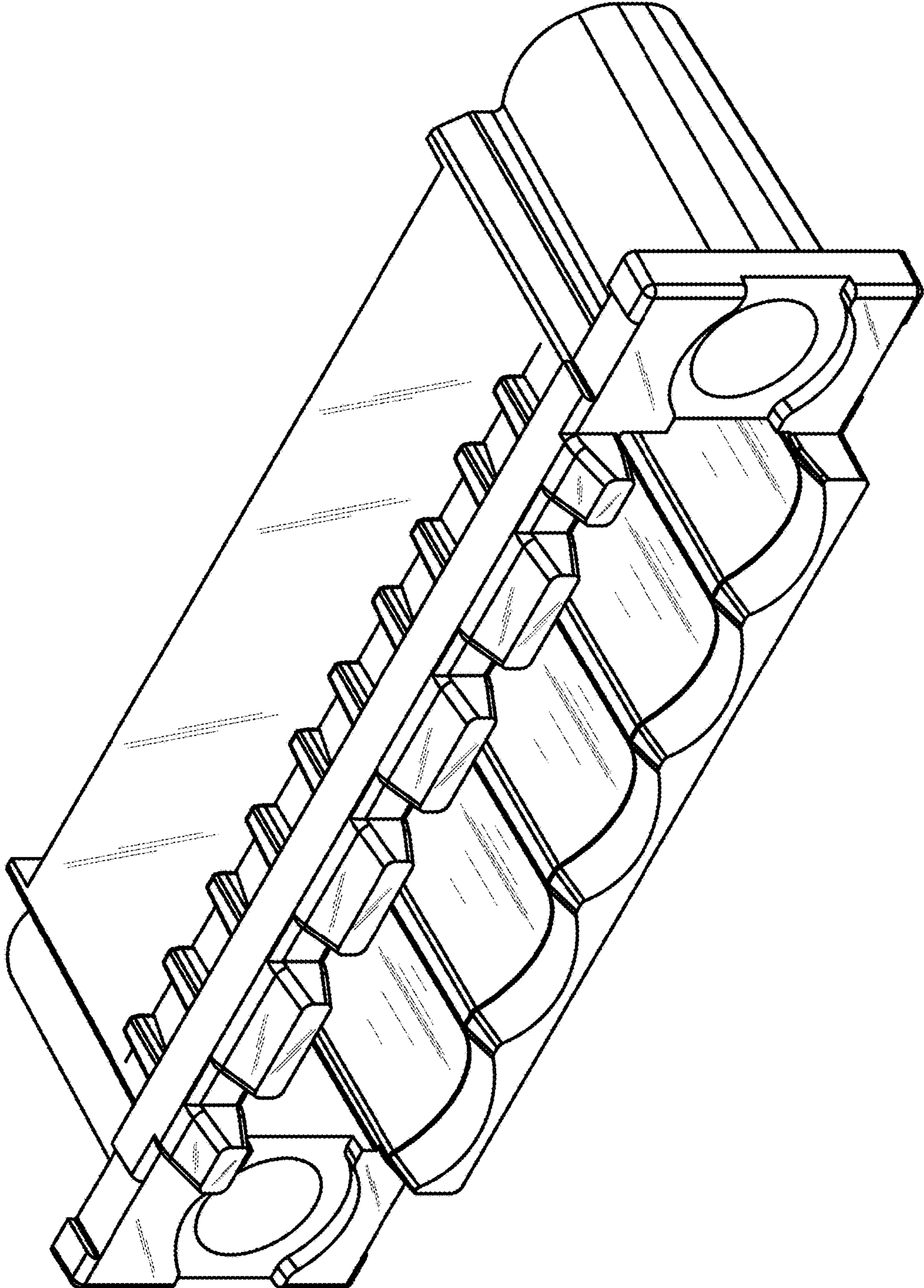


FIGURE 1

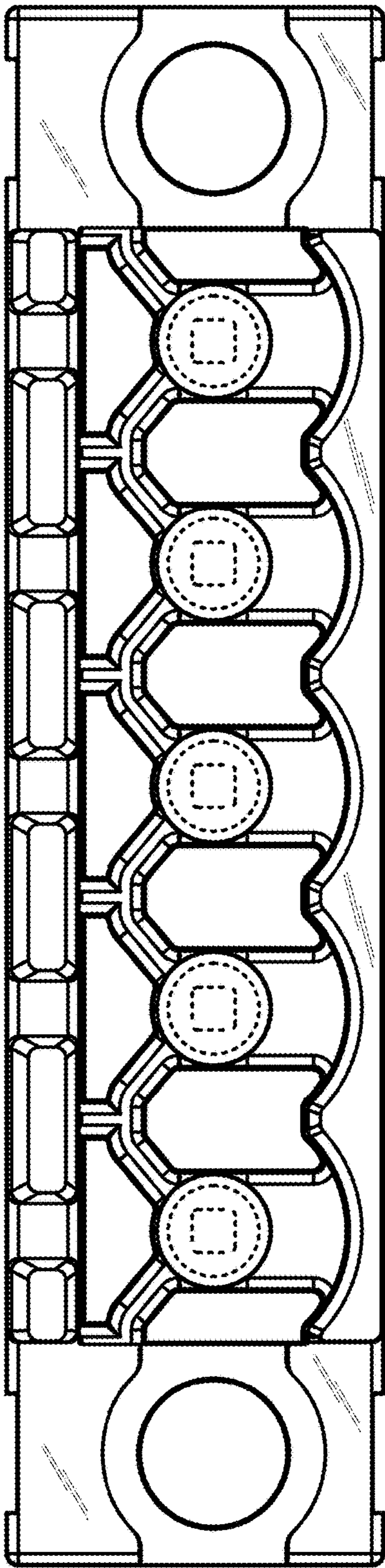


FIGURE 2

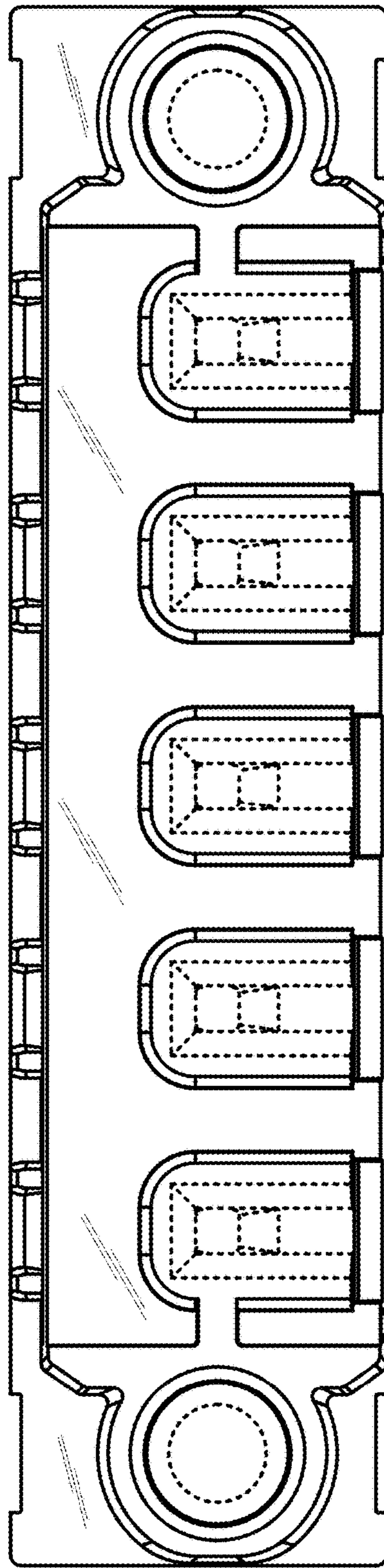


FIGURE 3

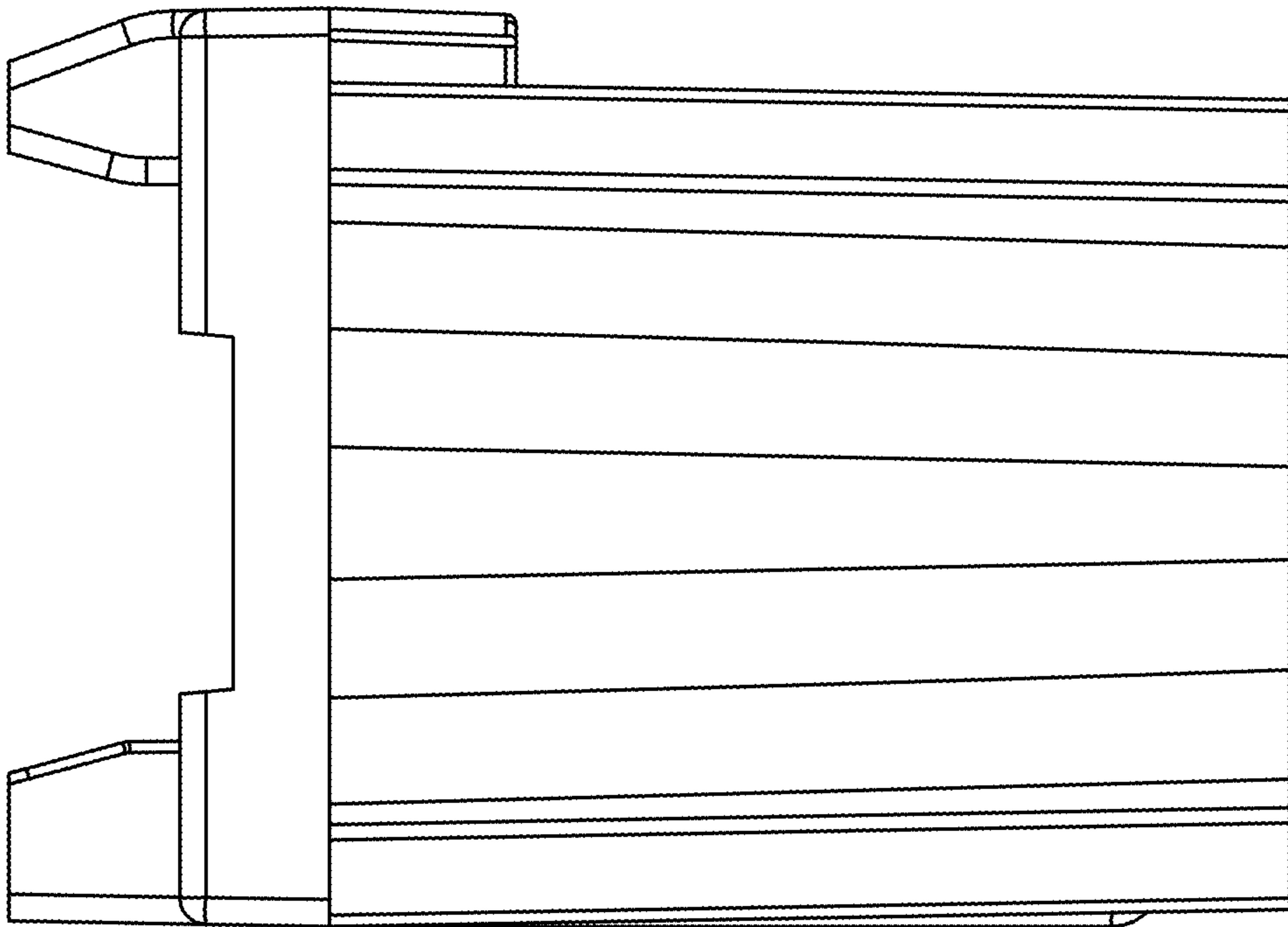


FIGURE 4

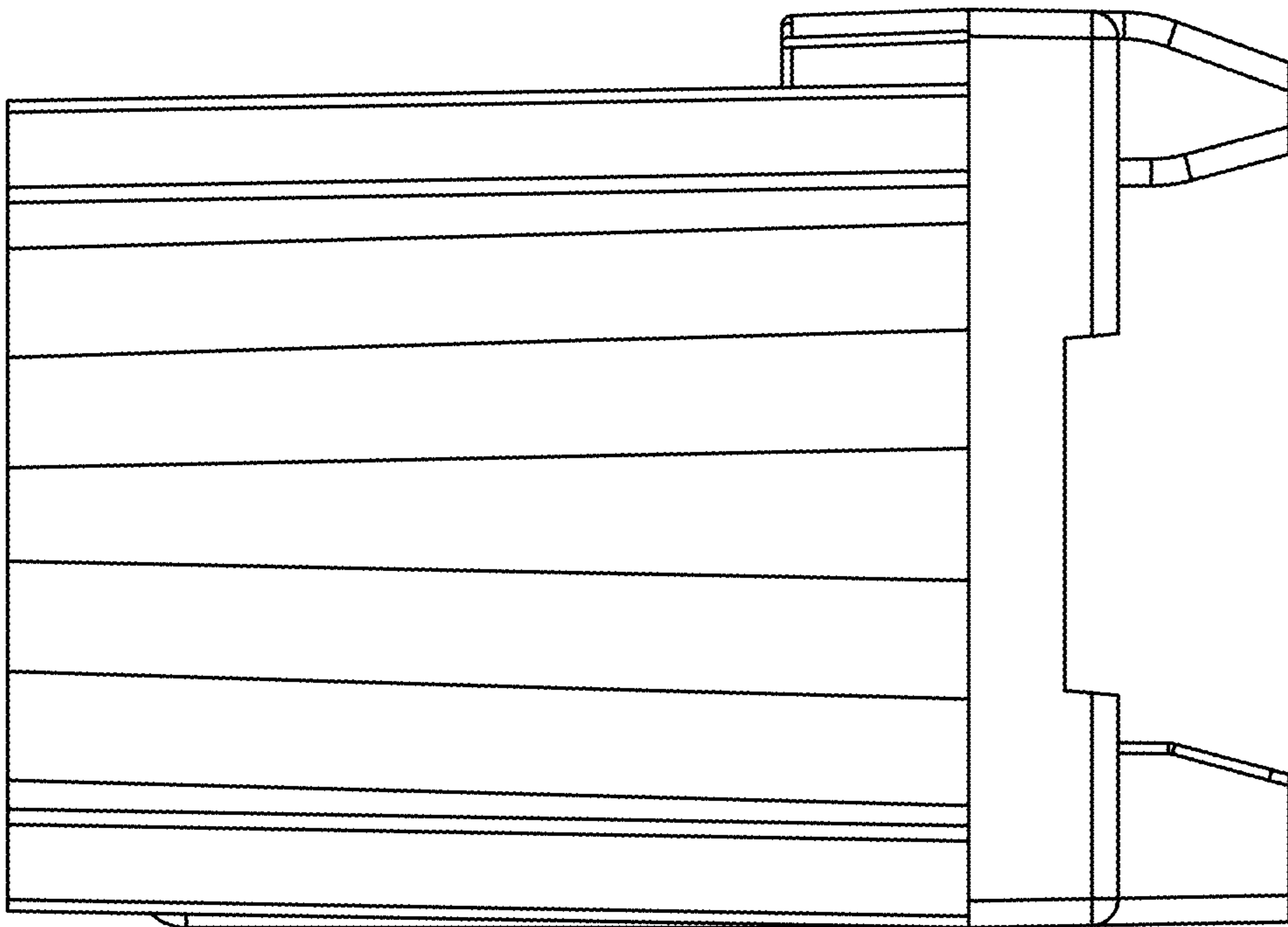


FIGURE 5

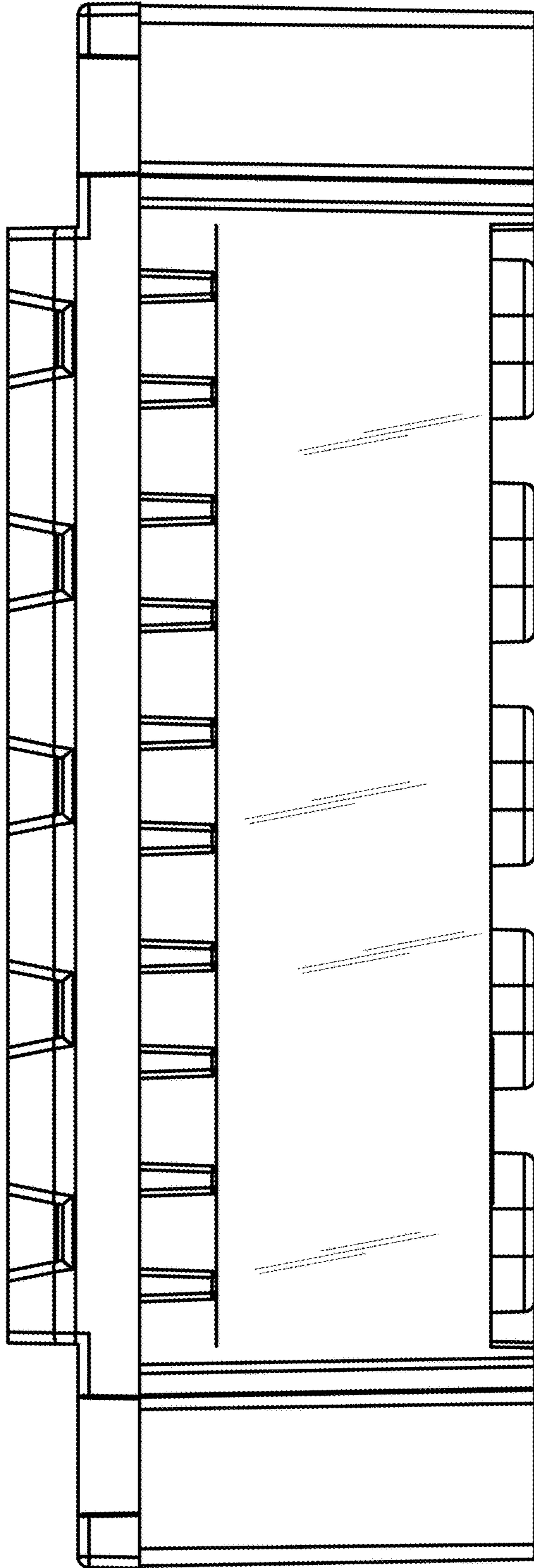


FIGURE 6

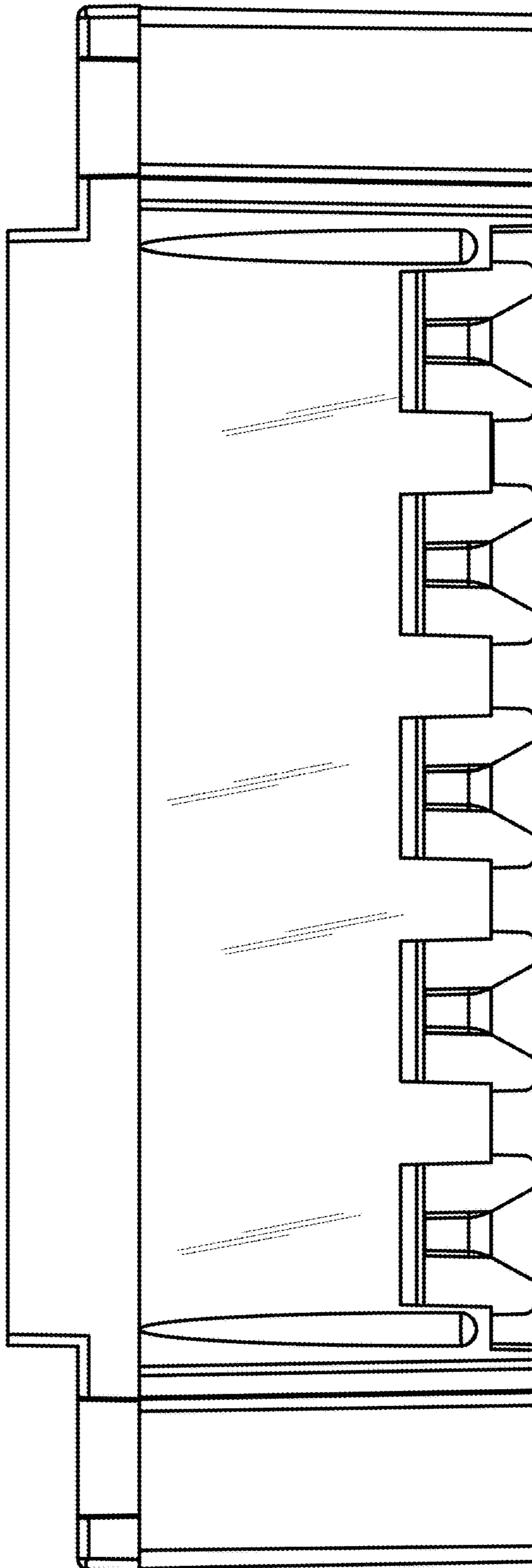


FIGURE 7

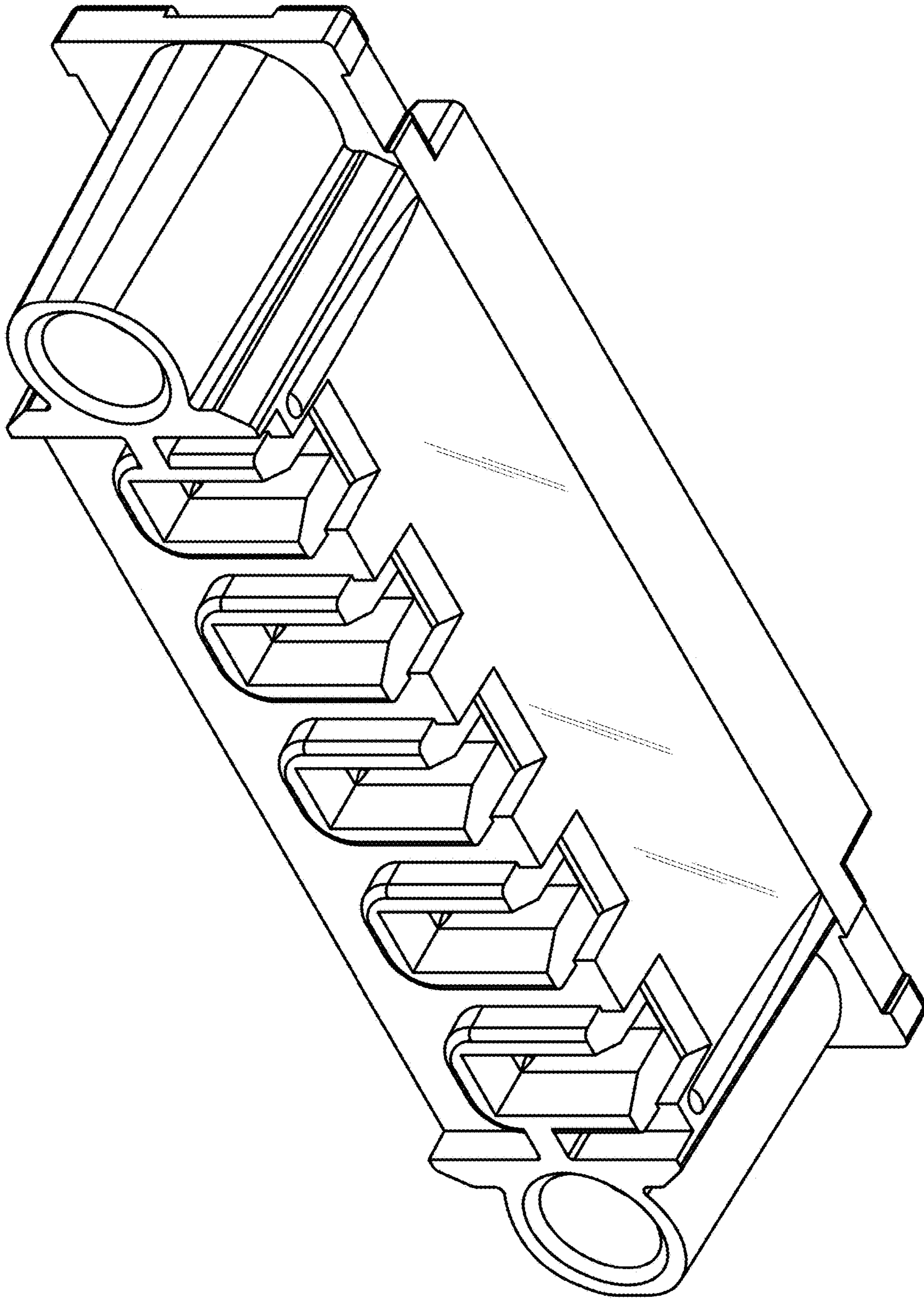


FIGURE 8

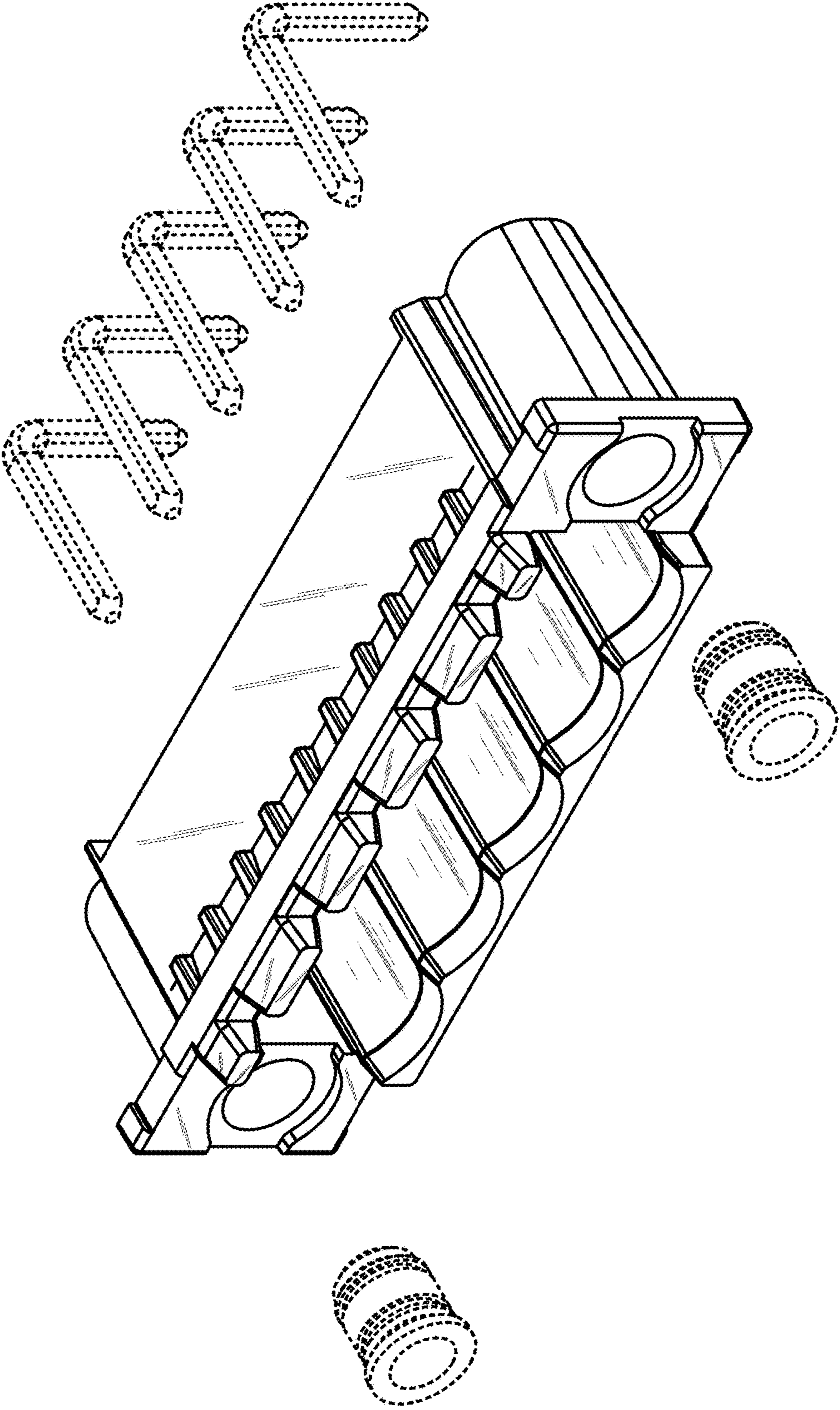


FIGURE 9

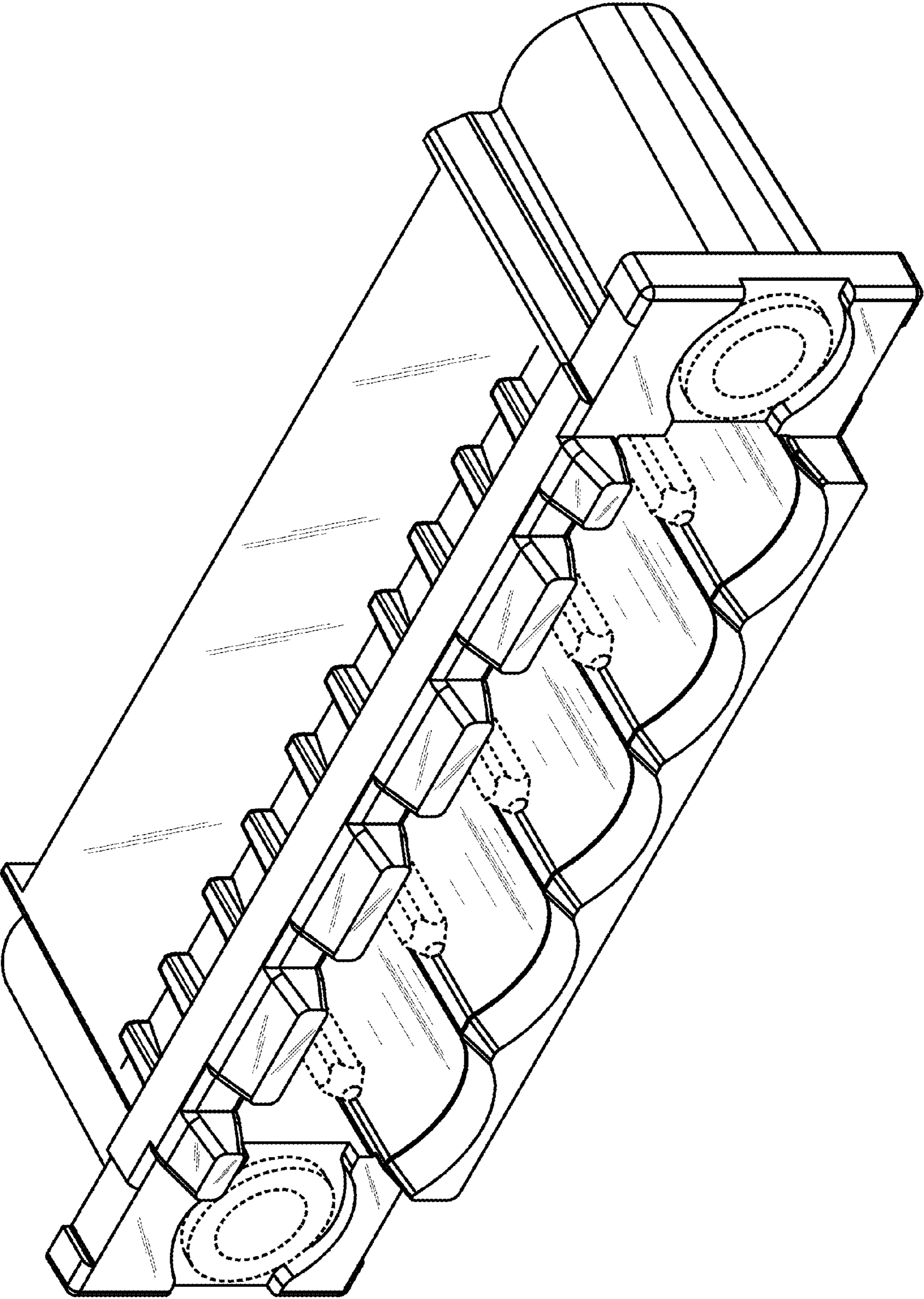


FIGURE 10