



US00D831573S

(12) **United States Design Patent** (10) **Patent No.:** **US D831,573 S**
Motoshige et al. (45) **Date of Patent:** **** Oct. 23, 2018**

(54) **ELECTRICAL PLUG FOR CIRCUIT BREAKER**

(71) Applicant: **YAZAKI CORPORATION**, Tokyo (JP)

(72) Inventors: **Yuichi Motoshige**, Shizuoka (JP); **Kazuyuki Kawashita**, Shizuoka (JP)

(73) Assignee: **YAZAKI CORPORATION**, Tokyo (JP)

(**) Term: **15 Years**

(21) Appl. No.: **29/629,530**

(22) Filed: **Dec. 13, 2017**

(30) **Foreign Application Priority Data**

Jun. 16, 2017 (JP) 2017-012961

(51) **LOC (11) Cl.** **13-03**

(52) **U.S. Cl.**
USPC **D13/133; D13/160; D13/178**

(58) **Field of Classification Search**
USPC D13/107, 110, 118, 123, 133, 134, 146, D13/147, 149, 151, 153, 154, 160, 161, D13/173, 177, 178, 184, 199
CPC ... G02B 6/00; G02B 6/36; G02B 6/38; H01R 4/26; H01R 4/28; H01R 12/00; H01R 13/627; H01R 13/64; H01R 13/66; H01R 13/40; H01R 13/629
See application file for complete search history.

(56) **References Cited**

U.S. PATENT DOCUMENTS

5,257,948 A * 11/1993 Peterson H01R 12/7029
439/571
D492,260 S * 6/2004 Spink, Jr. D13/147

D543,149 S * 5/2007 Huang D13/147
D544,844 S * 6/2007 Askeland D13/147
D559,187 S * 1/2008 Hayashi D13/147
D559,786 S * 1/2008 Kudo D13/147
D574,786 S * 8/2008 Askeland D13/154
D585,831 S * 2/2009 Kudo D13/147
D598,382 S * 8/2009 So D13/147
D631,441 S * 1/2011 So D13/147
D655,677 S * 3/2012 Gouhl D13/146

FOREIGN PATENT DOCUMENTS

JP 1598486 * 2/2018

* cited by examiner

Primary Examiner — Angela J Lee

Assistant Examiner — Shawn T Gingrich

(74) *Attorney, Agent, or Firm* — Kenealy Vaidya LLP

(57) **CLAIM**

The ornamental design for an electrical plug for circuit breaker, as shown and described.

DESCRIPTION

FIG. 1 is a front, top and left-side perspective view of an electrical plug for circuit breaker showing our new design; FIG. 2 is a rear, bottom perspective view thereof; FIG. 3 is a front elevational view thereof, the rear elevational view is a mirror image; FIG. 4 is a right-side elevational view thereof; FIG. 5 is a left-side elevational view thereof; FIG. 6 is a top plan view thereof; and, FIG. 7 is a bottom plan view thereof. In the drawings, the Dash-Dash broken lines depict portions of the electrical plug for circuit breaker that form no part of the claimed design. The Dash-Dot broken lines depict claim boundaries that form no part of the claimed design.

1 Claim, 5 Drawing Sheets

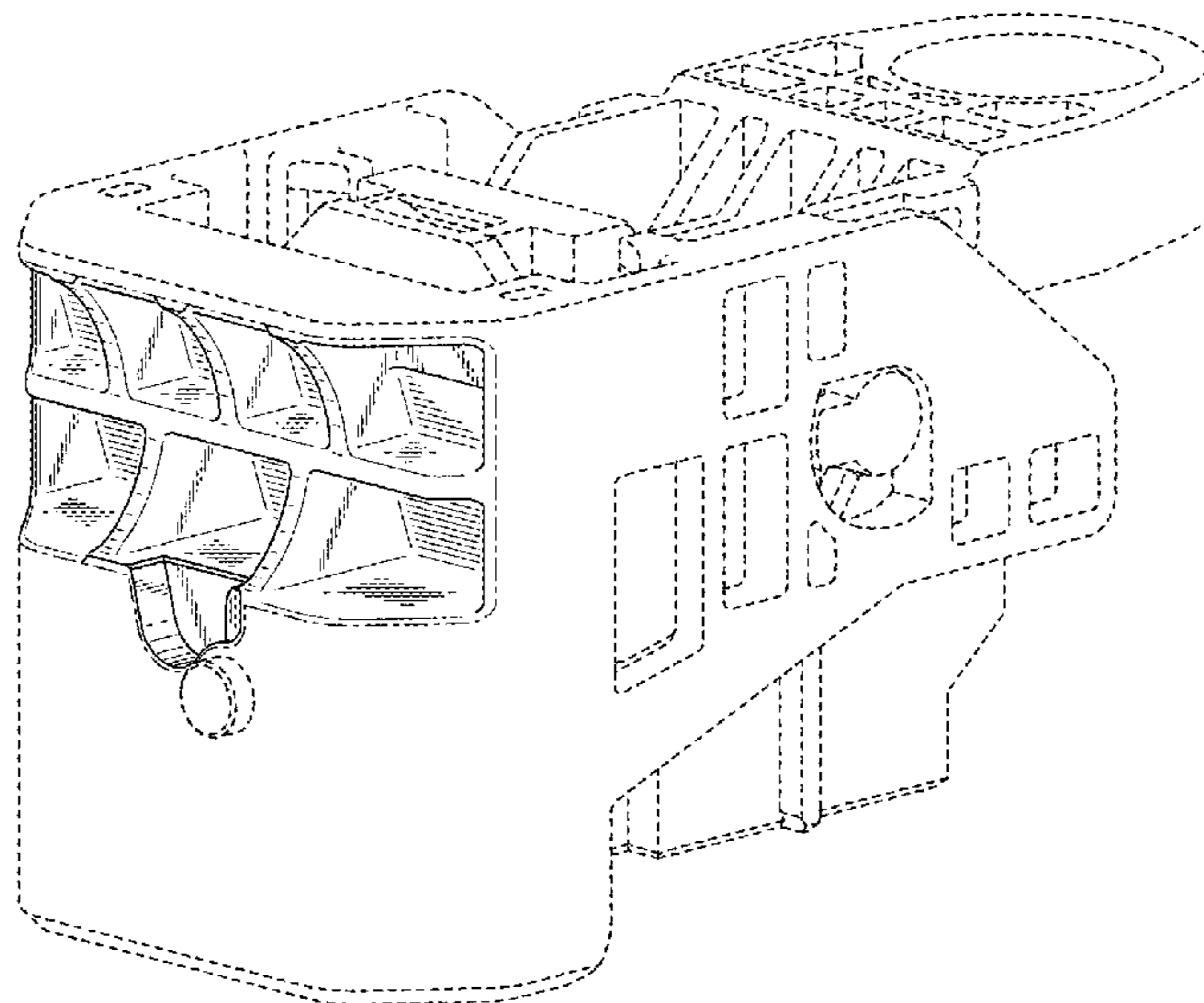


FIG. 1

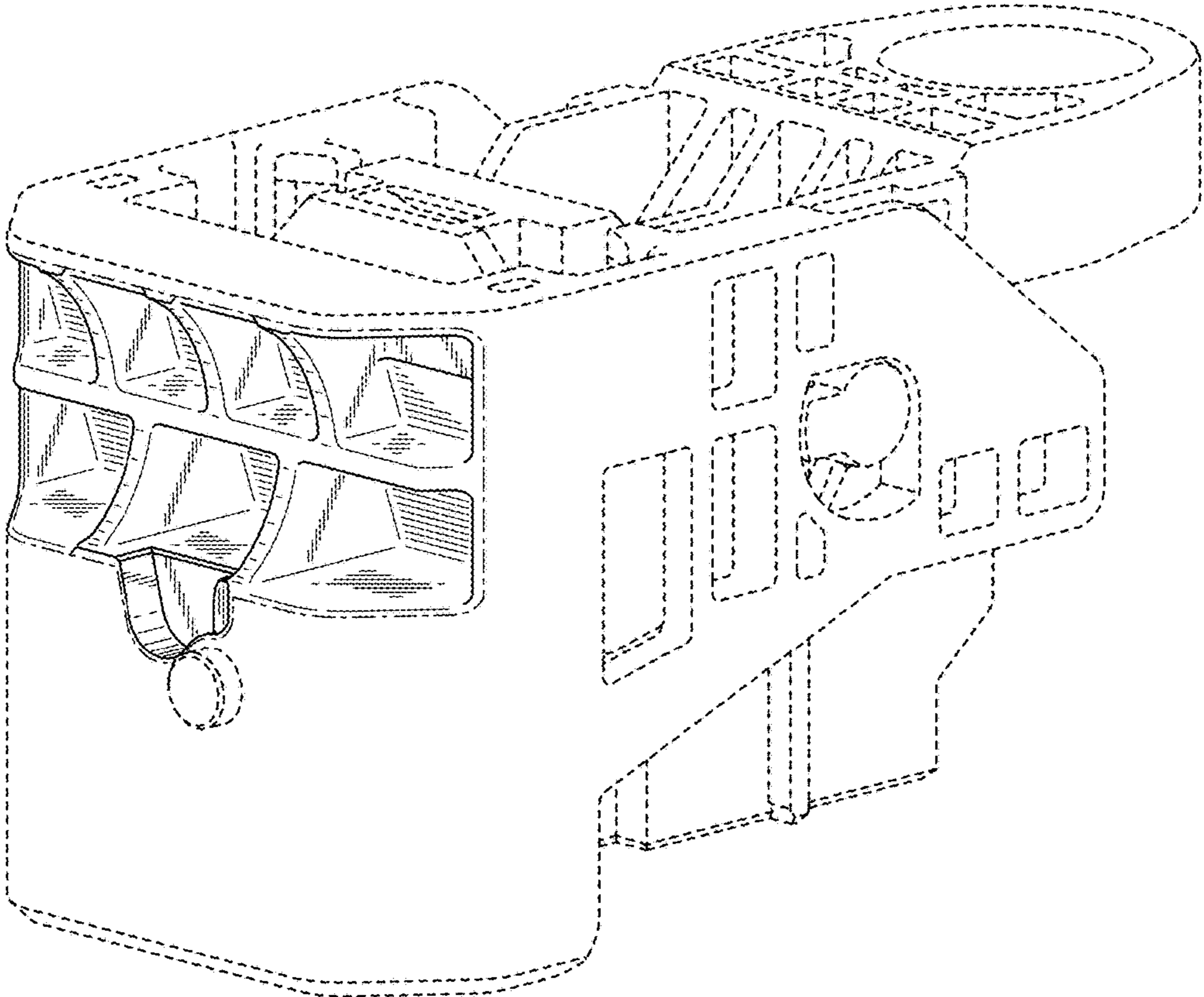


FIG. 2

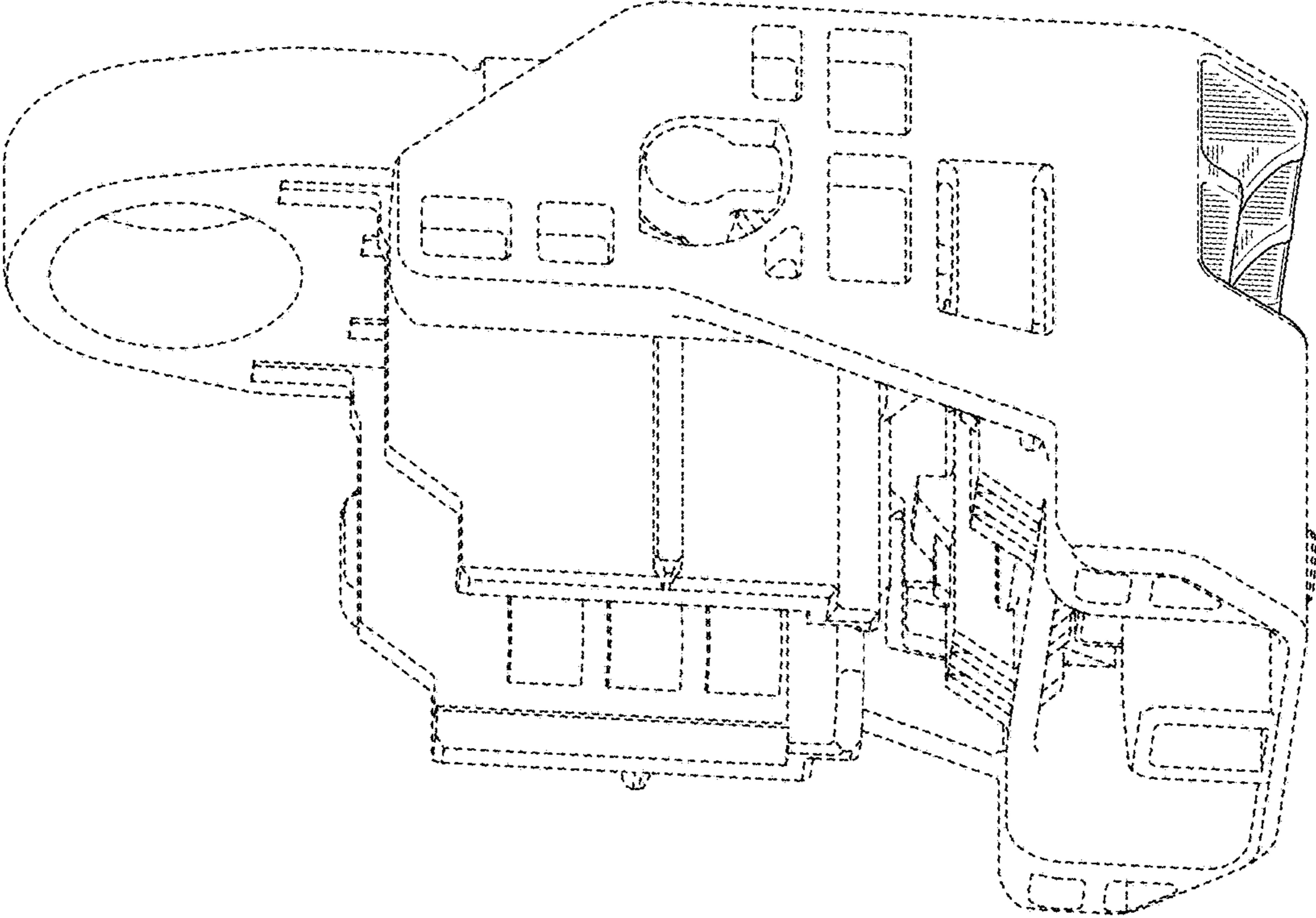


FIG. 3

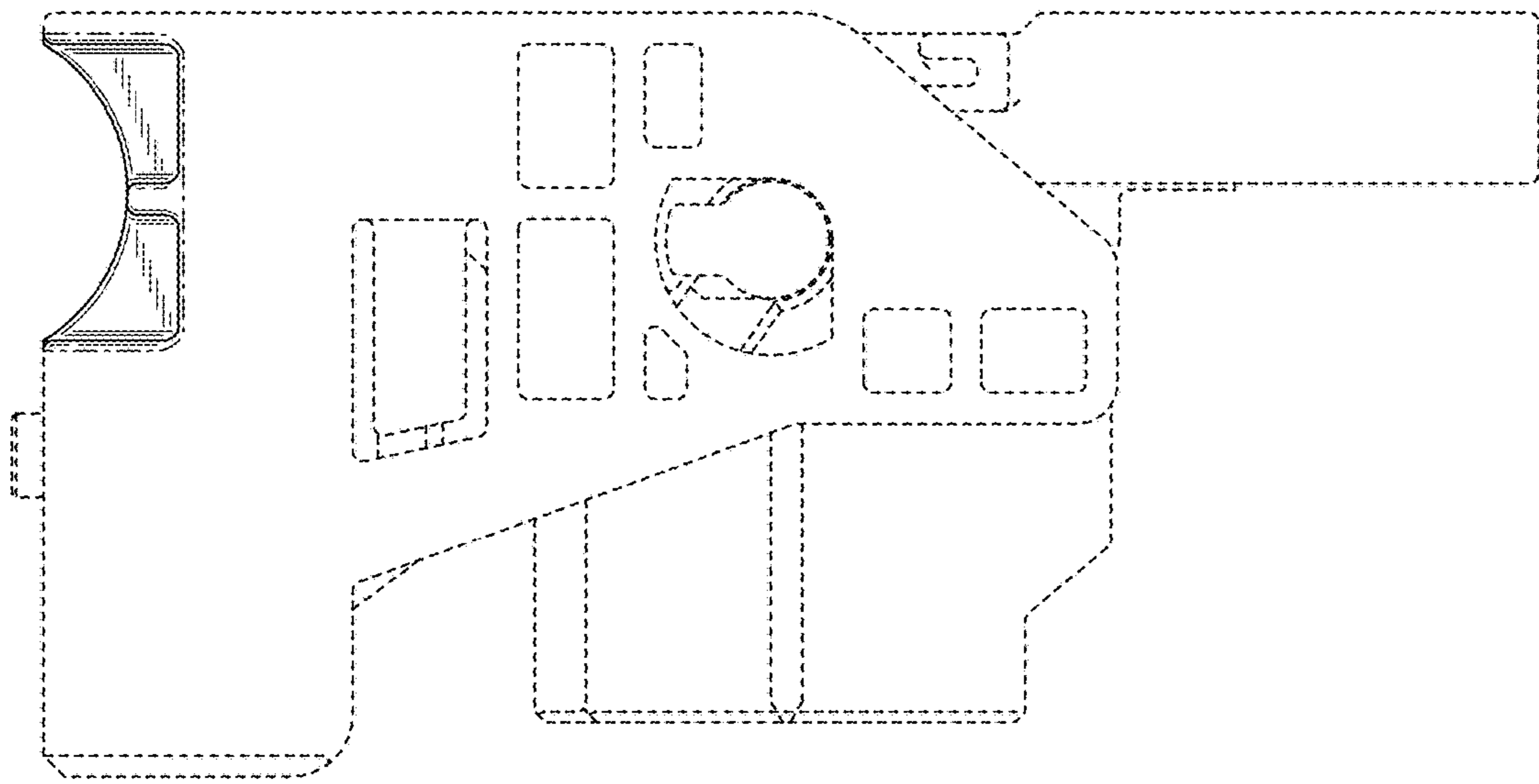


FIG. 4

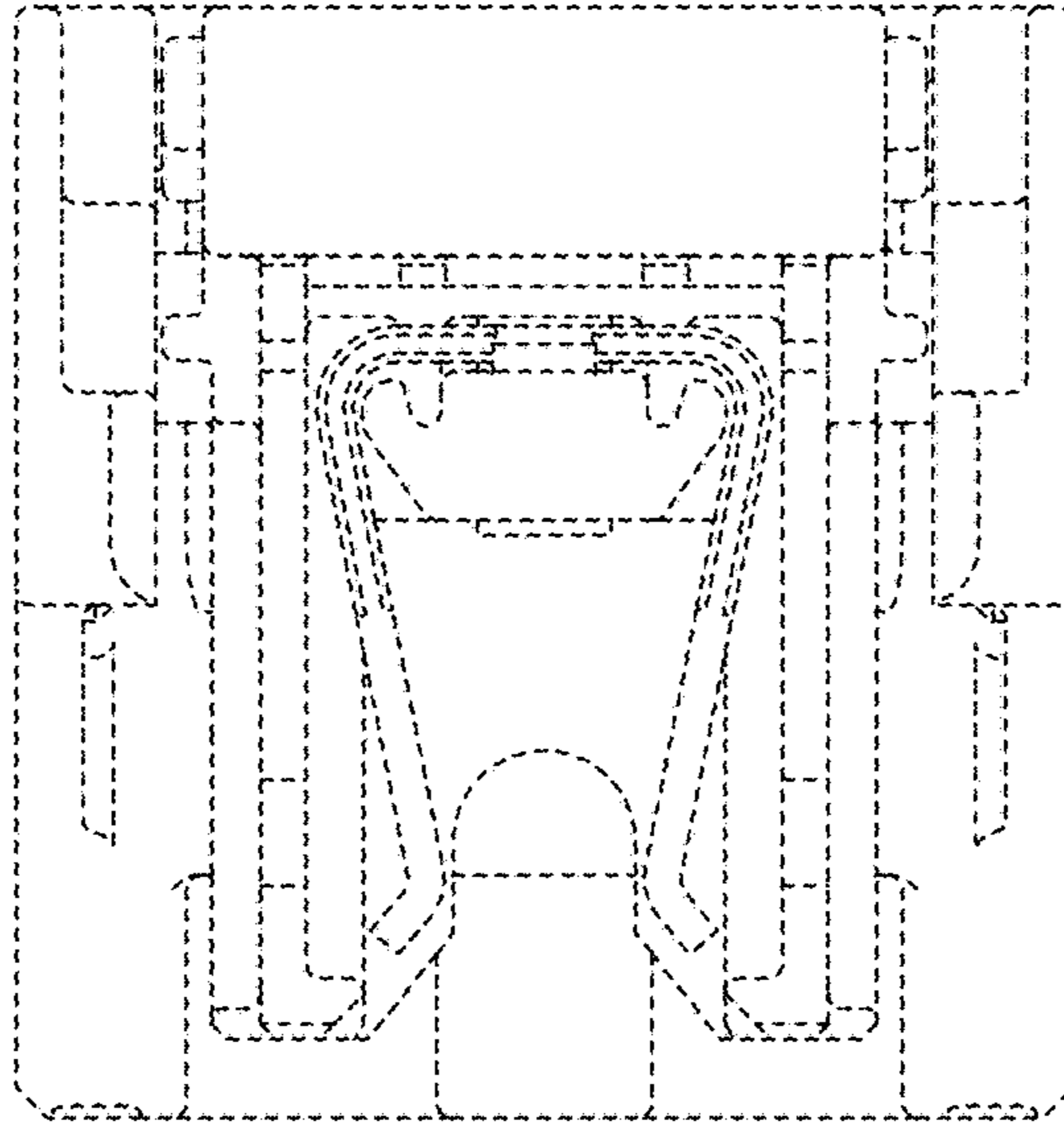


FIG. 5

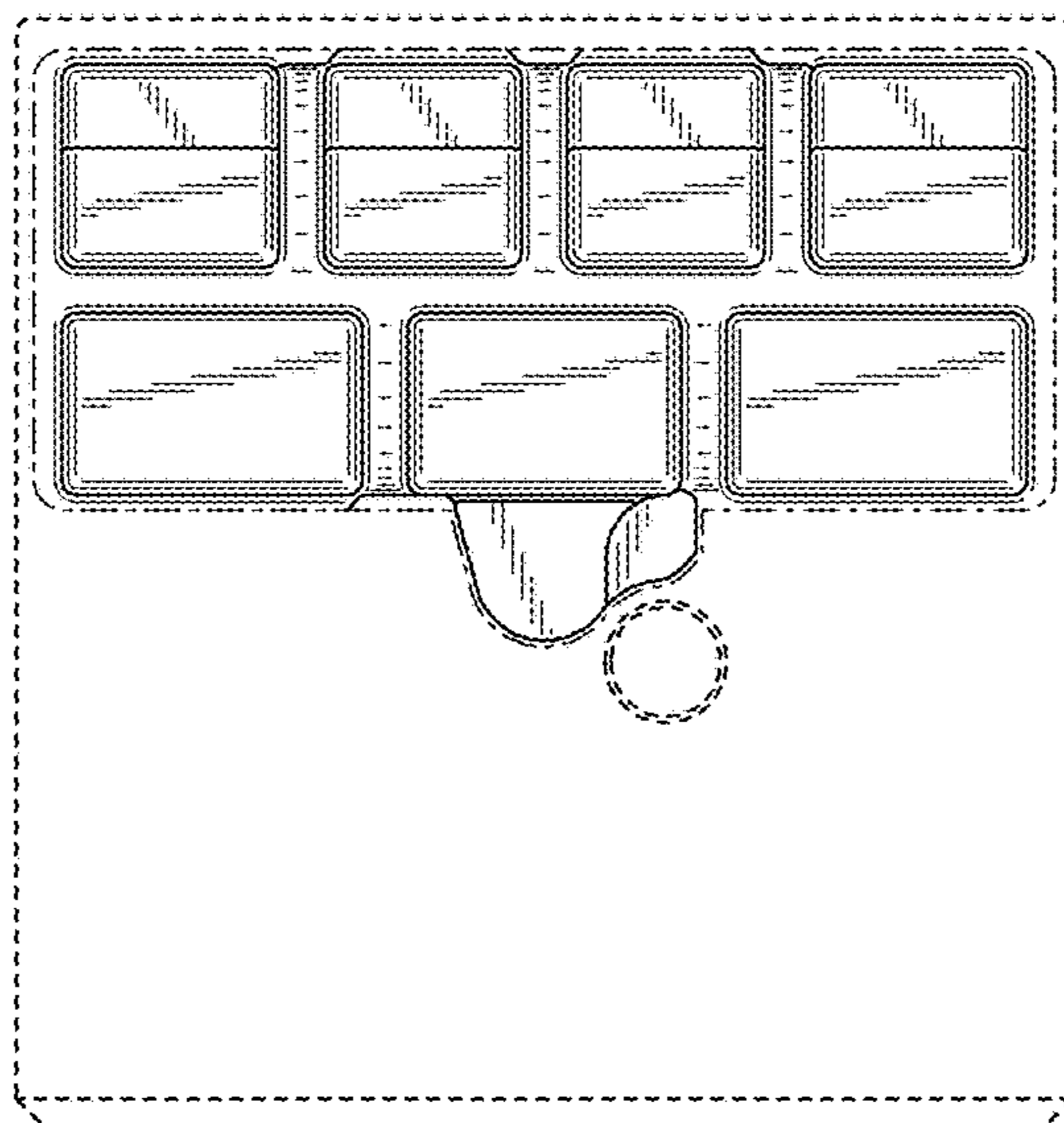


FIG. 6

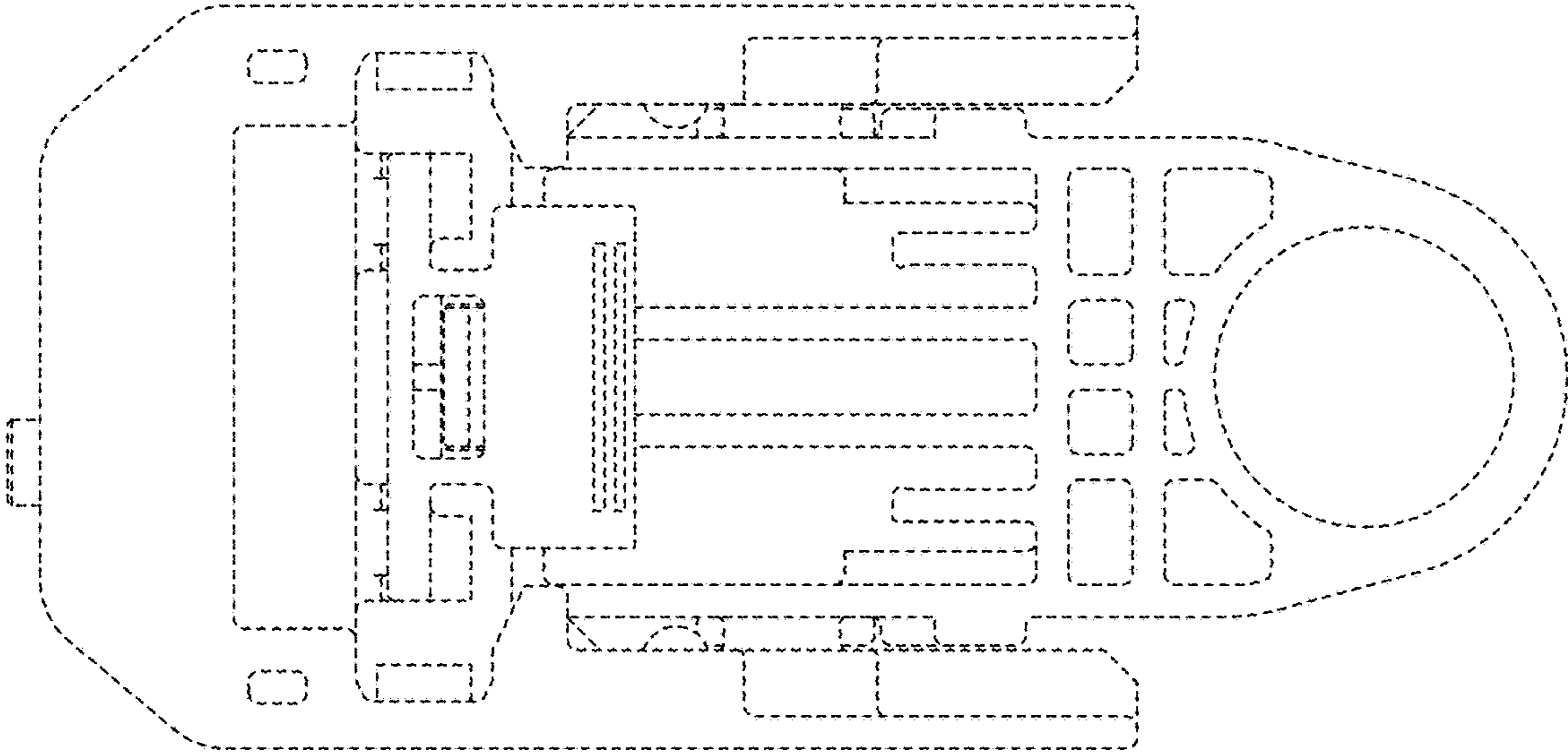


FIG. 7

