



US00D831572S

(12) **United States Design Patent**  
**Eaton et al.**

(10) **Patent No.:** **US D831,572 S**  
(45) **Date of Patent:** **\*\* Oct. 23, 2018**

- (54) **ELECTRICAL CONNECTION COVER**
- (71) Applicant: **The Charles Machine Works, Inc.,**  
Perry, OK (US)
- (72) Inventors: **Corey N. Eaton,** Guthrie, OK (US);  
**Jody C. Bratcher,** Perry, OK (US)
- (73) Assignee: **The Charles Machine Works, Inc.,**  
Perry, OK (US)
- (\*\*) Term: **15 Years**
- (21) Appl. No.: **29/626,734**
- (22) Filed: **Nov. 20, 2017**
- (51) **LOC (11) Cl.** ..... **13-03**
- (52) **U.S. Cl.**  
USPC ..... **D13/133; D13/156**
- (58) **Field of Classification Search**  
USPC ..... **D13/118, 123, 133, 137.1-139.8,**  
**D13/145-147, 154, 156, 173, 177, 184,**  
**D13/199**  
CPC ... **G02B 6/38; G02B 6/44; H01R 4/24; H01R**  
**9/22; H01R 13/40; H01R 13/44; H01R**  
**13/52; H01R 13/62; H01R 13/627; H01R**  
**13/648; H01R 13/658; H01R 13/6581;**  
**H01R 24/00; H01R 29/00; H01R 33/00;**  
**H05K 9/00**  
See application file for complete search history.

(56) **References Cited**

**U.S. PATENT DOCUMENTS**

- D480,361 S \* 10/2003 Lee ..... D13/133
- 7,001,216 B1 \* 2/2006 Huang ..... H01R 13/6582  
439/607.54
- 7,037,141 B1 \* 5/2006 Huang ..... H01R 13/641  
439/676
- D539,222 S \* 3/2007 Nishio ..... D13/147
- D561,102 S \* 2/2008 Taneno ..... D13/133

- 7,416,429 B1 \* 8/2008 Hung ..... H01R 29/00  
439/159
- 7,695,319 B1 \* 4/2010 Yang ..... H01R 13/6278  
439/607.37
- D648,683 S \* 11/2011 Liu ..... D13/147
- 8,083,549 B1 \* 12/2011 Chiang ..... H01R 43/24  
439/607.55
- D665,750 S \* 8/2012 Li ..... D13/146
- D700,145 S \* 2/2014 Feldstein ..... D13/154
- D822,607 S \* 7/2018 Chadbourne ..... D13/133
- 2008/0090437 A1 \* 4/2008 Huang ..... H01R 13/2414  
439/188
- 2012/0327630 A1 \* 12/2012 Feldstein ..... H05K 9/0058  
361/818
- 2013/0175152 A1 \* 7/2013 Yamanaka ..... B60R 22/48  
200/547
- 2013/0178100 A1 \* 7/2013 Nagata ..... H01R 13/6594  
439/607.35

(Continued)

*Primary Examiner* — Angela J Lee

*Assistant Examiner* — Shawn T Gingrich

(74) *Attorney, Agent, or Firm* — Tomlinson McKinstry,  
P.C.

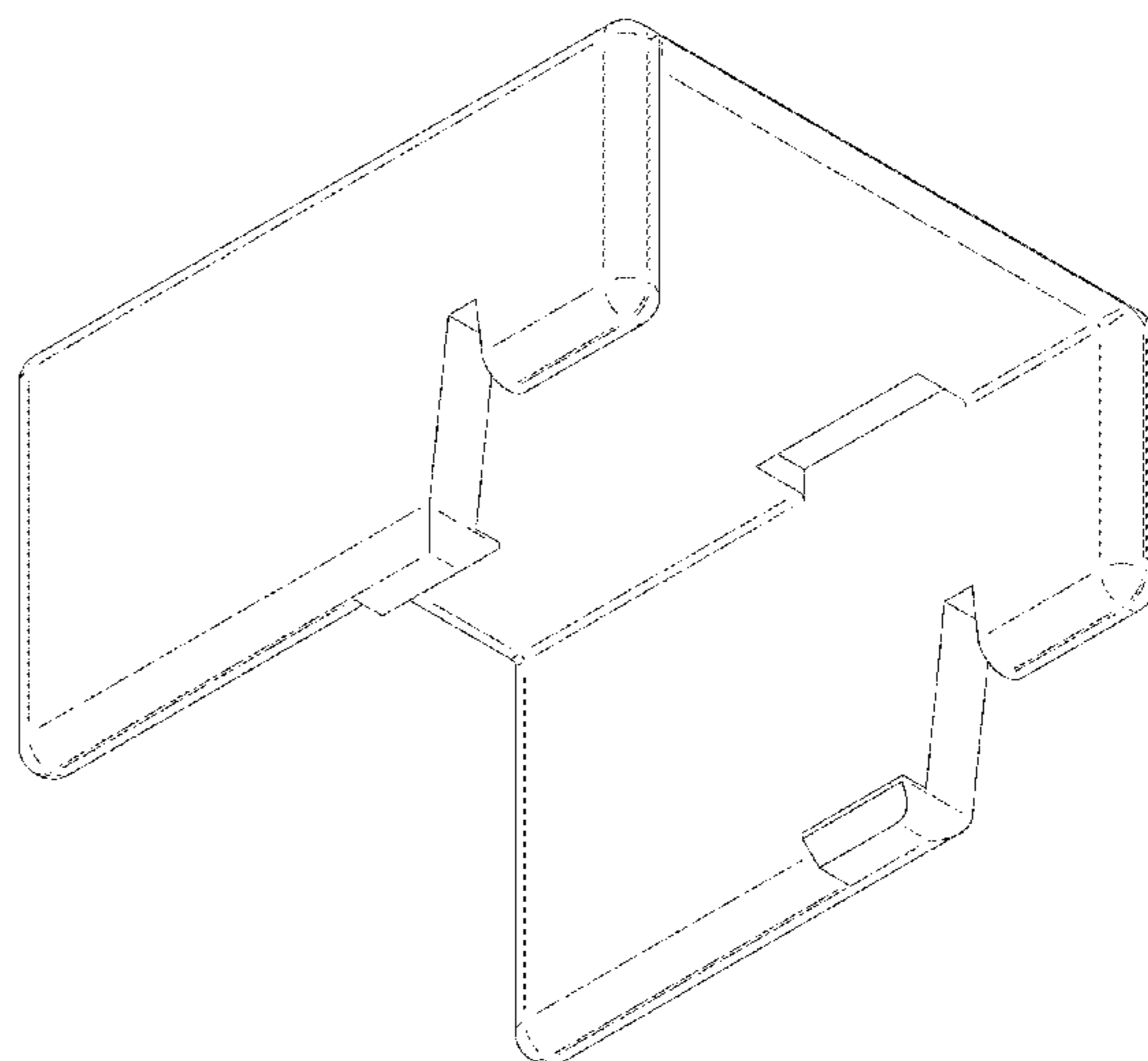
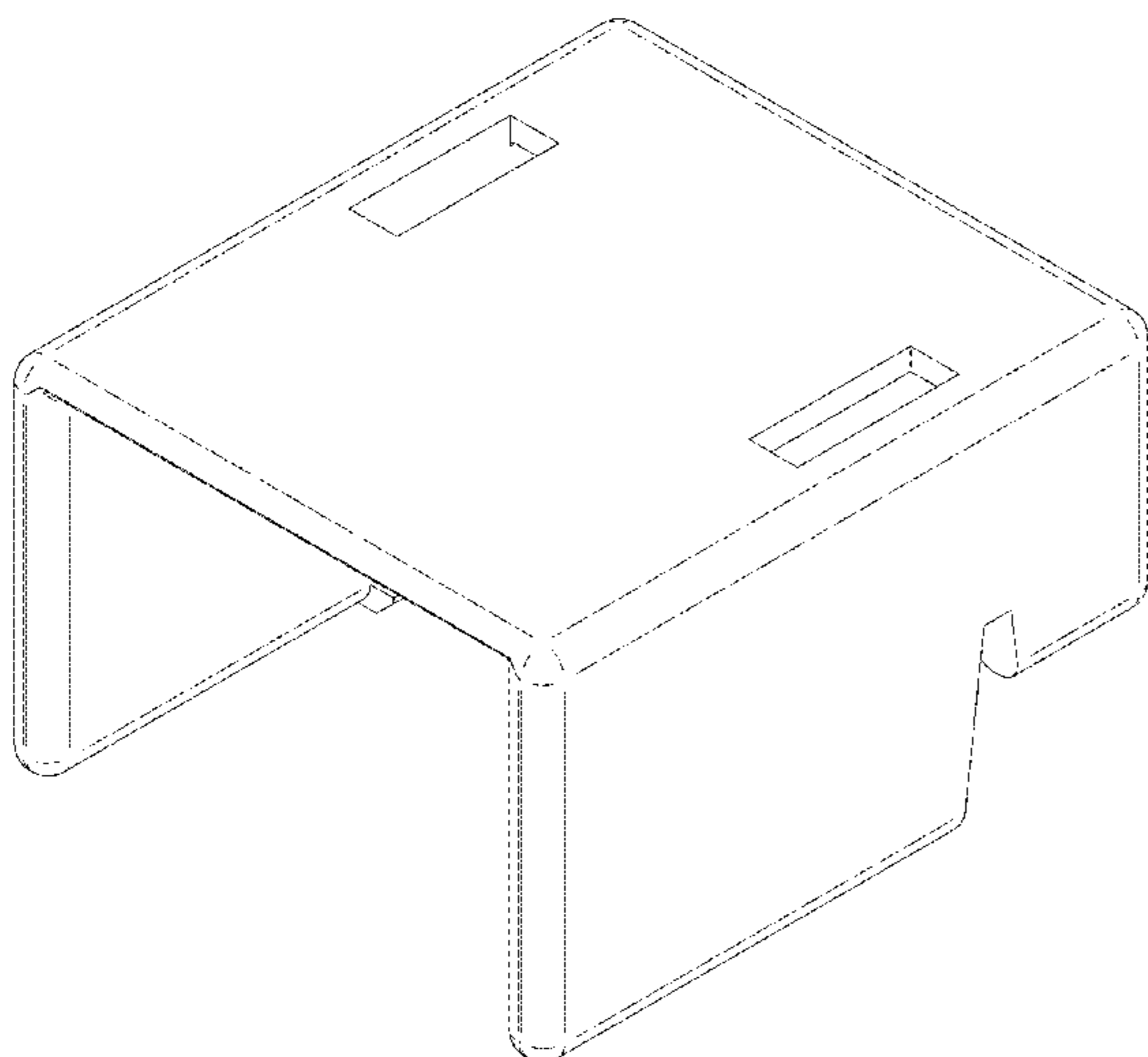
(57) **CLAIM**

The ornamental design for an electrical connection cover, as shown and described.

**DESCRIPTION**

FIG. 1 is a front view of an electrical connection cover, showing our design.  
 FIG. 2 is a bottom left front perspective view thereof.  
 FIG. 3 is a top left front perspective view thereof.  
 FIG. 4 is a left side view thereof. The left side and right side are mirror images.  
 FIG. 5 is a back view thereof.  
 FIG. 6 is a top view thereof.  
 FIG. 7 is a bottom view thereof.  
 FIG. 8 is a top left back perspective view thereof; and,  
 FIG. 9 is a bottom left back perspective view thereof.

**1 Claim, 9 Drawing Sheets**



(56)

**References Cited**

U.S. PATENT DOCUMENTS

2015/0155663 A1\* 6/2015 Zwartkruis ..... H01R 13/5202  
439/188

\* cited by examiner

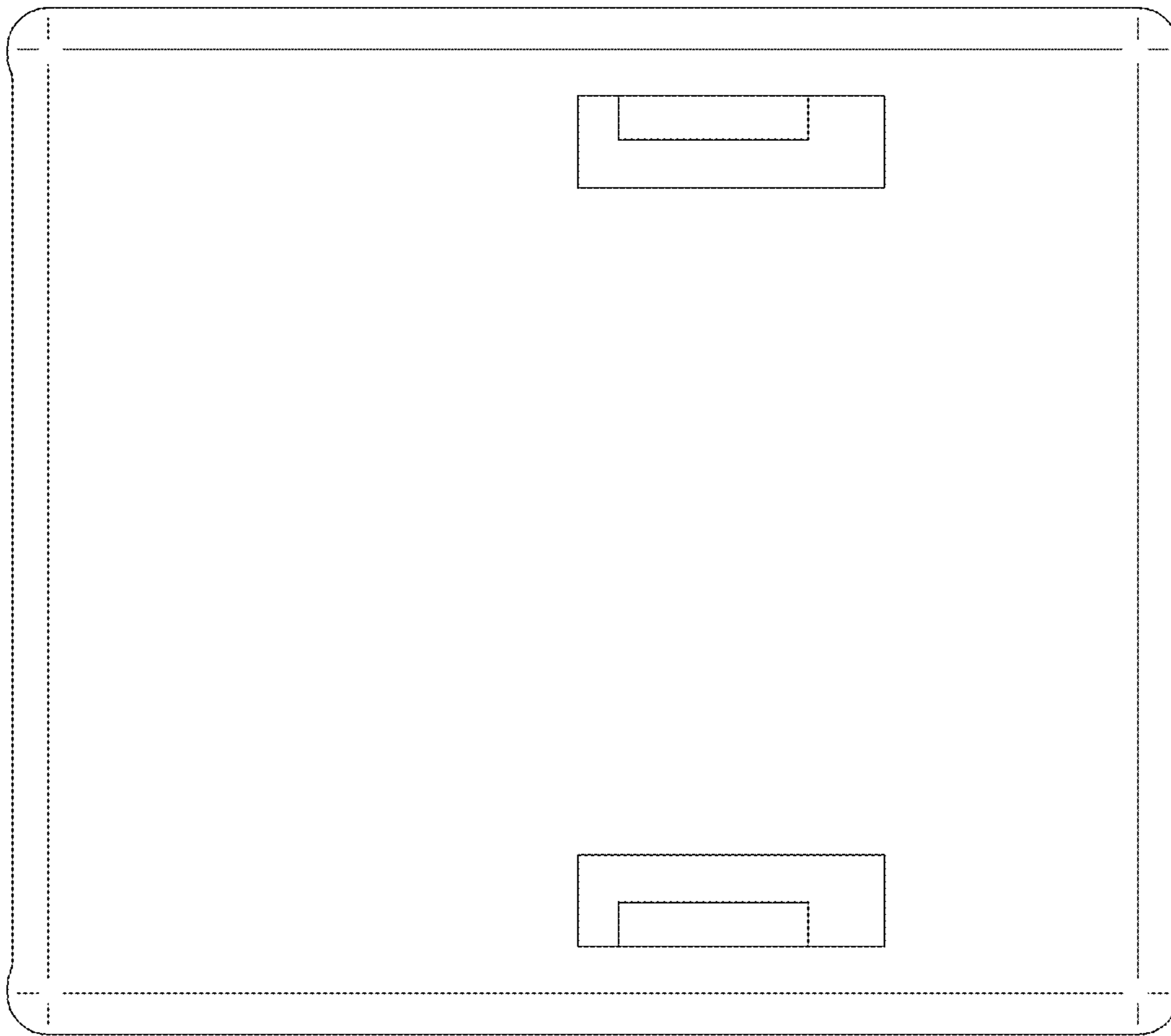


FIG. I

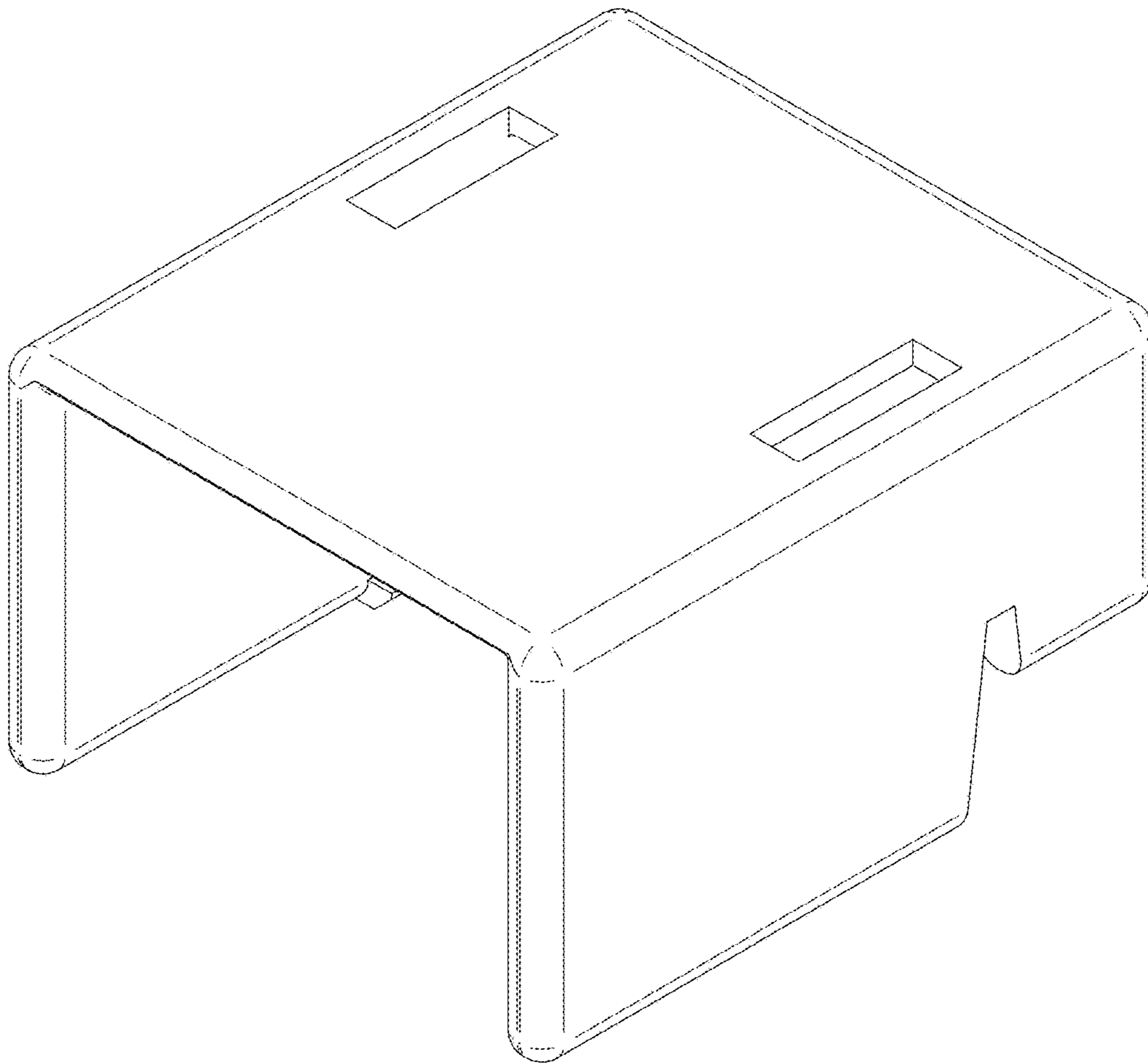


FIG. 2

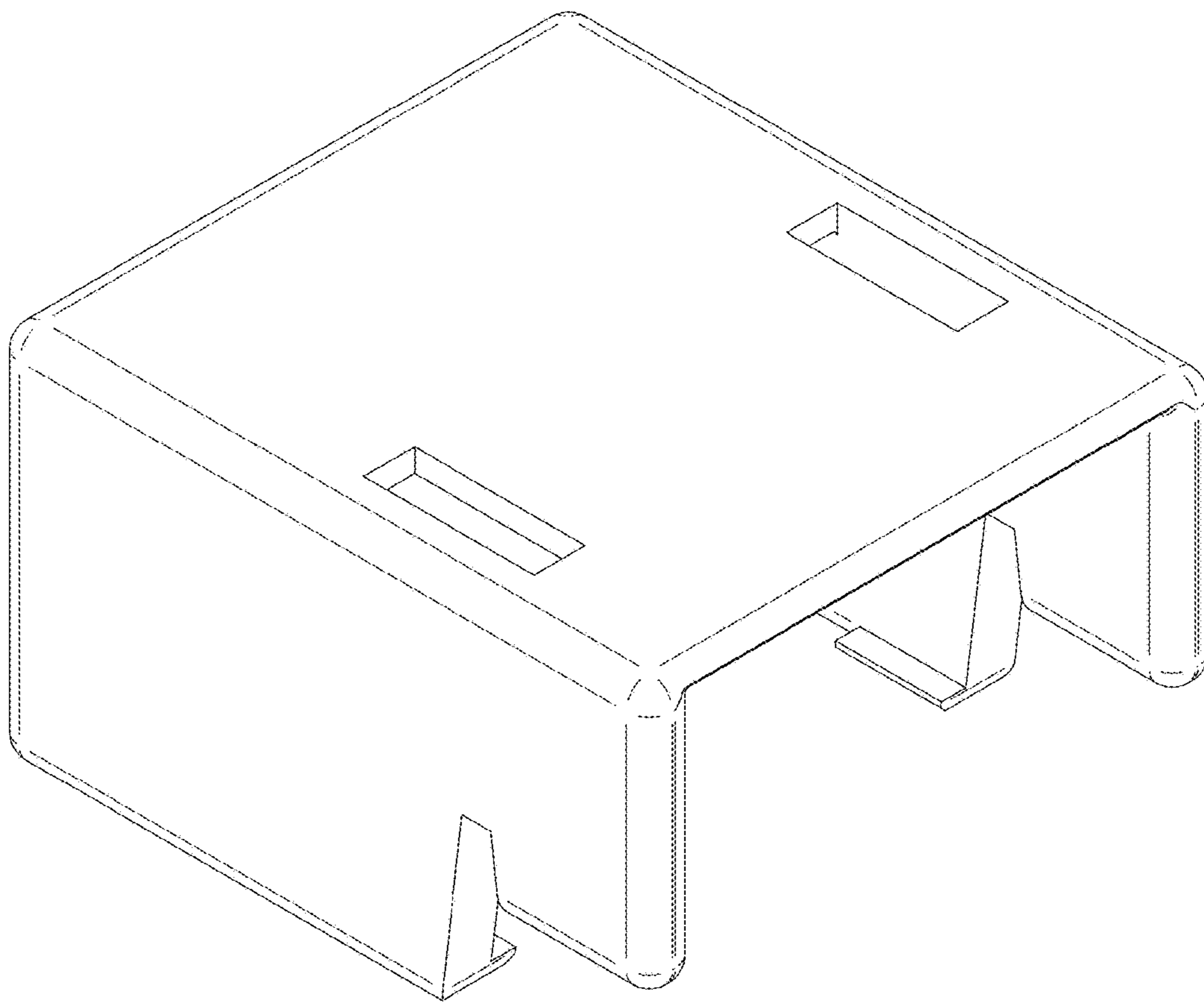


FIG. 3

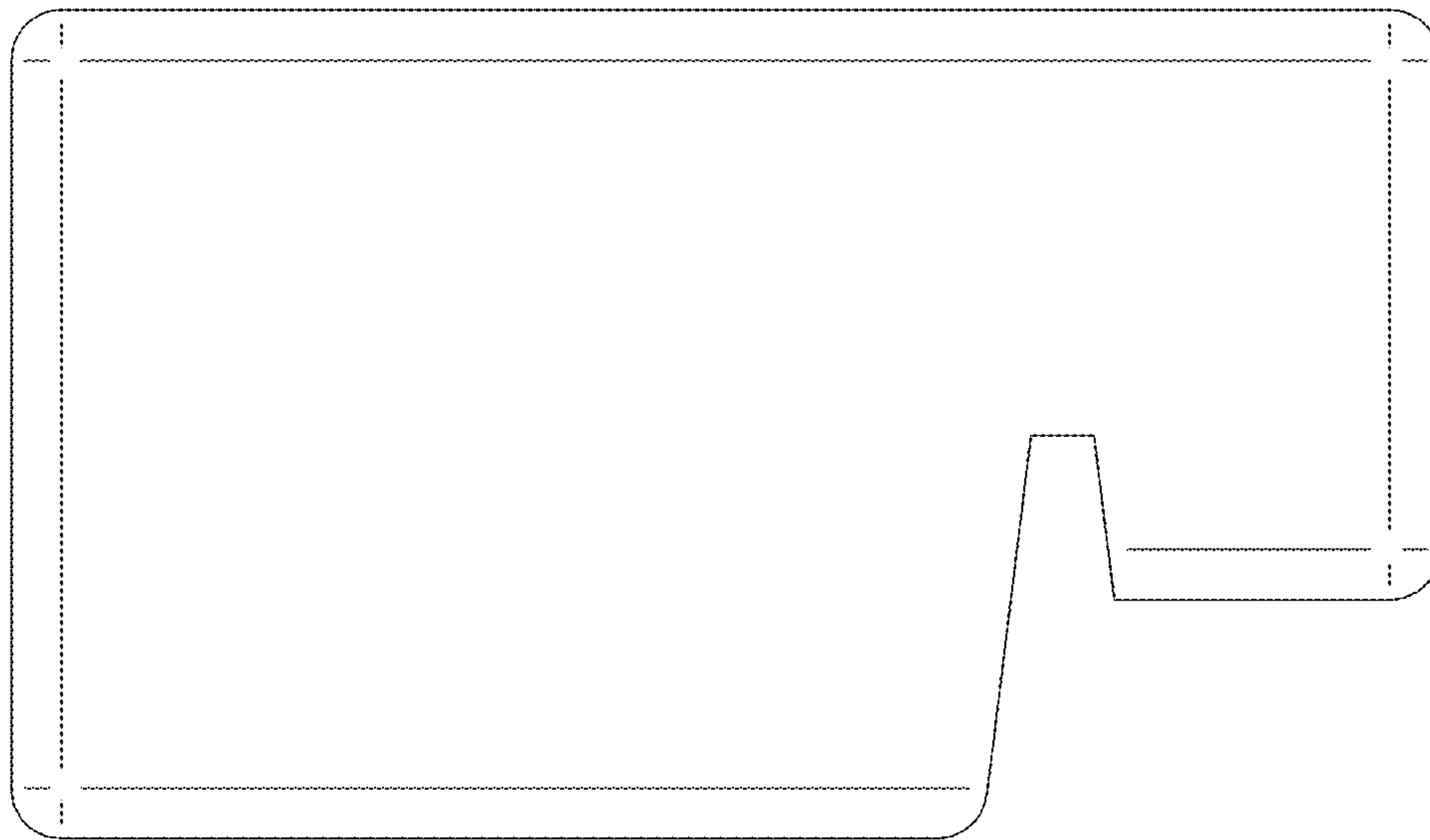


FIG. 4

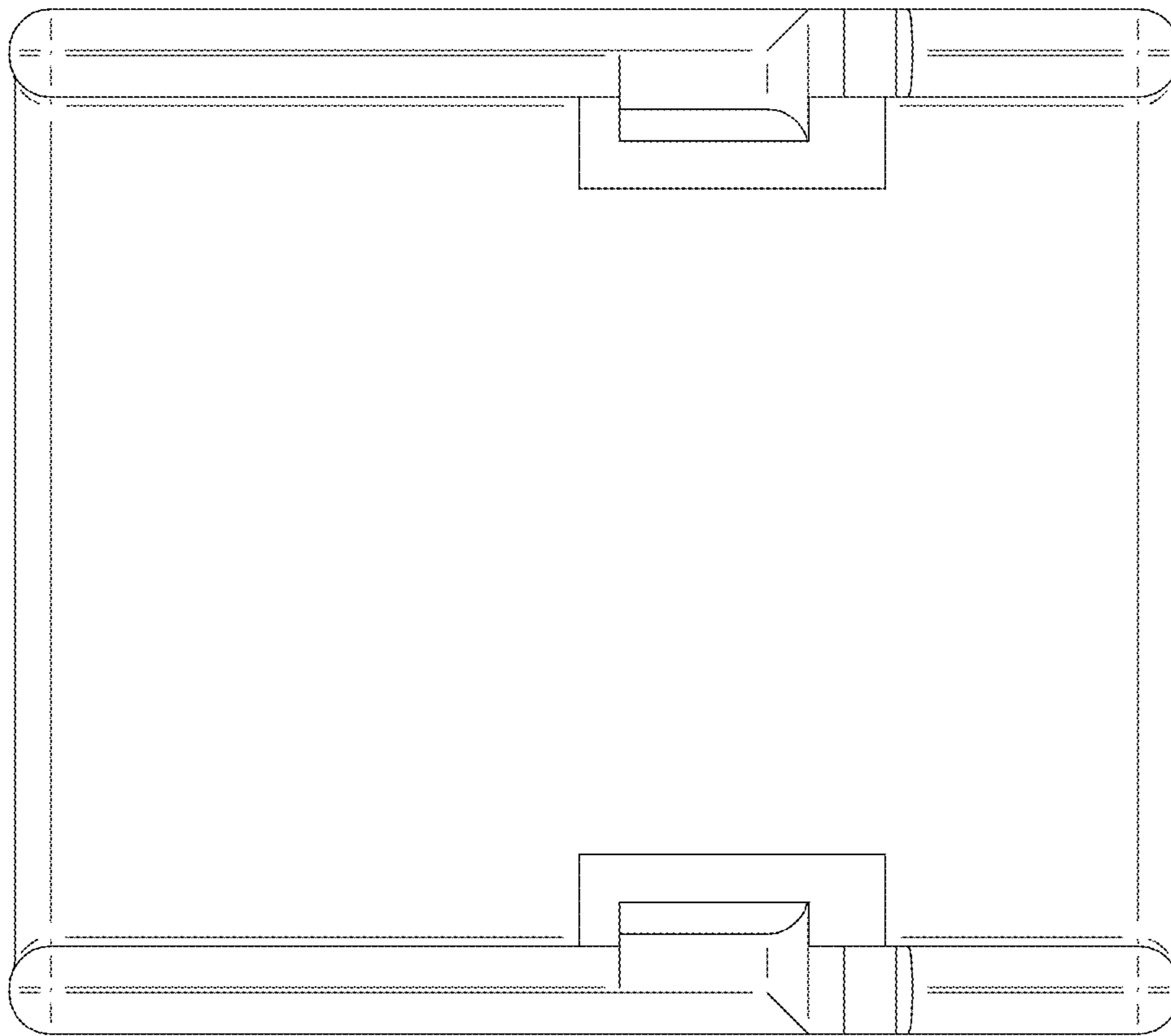


FIG. 5

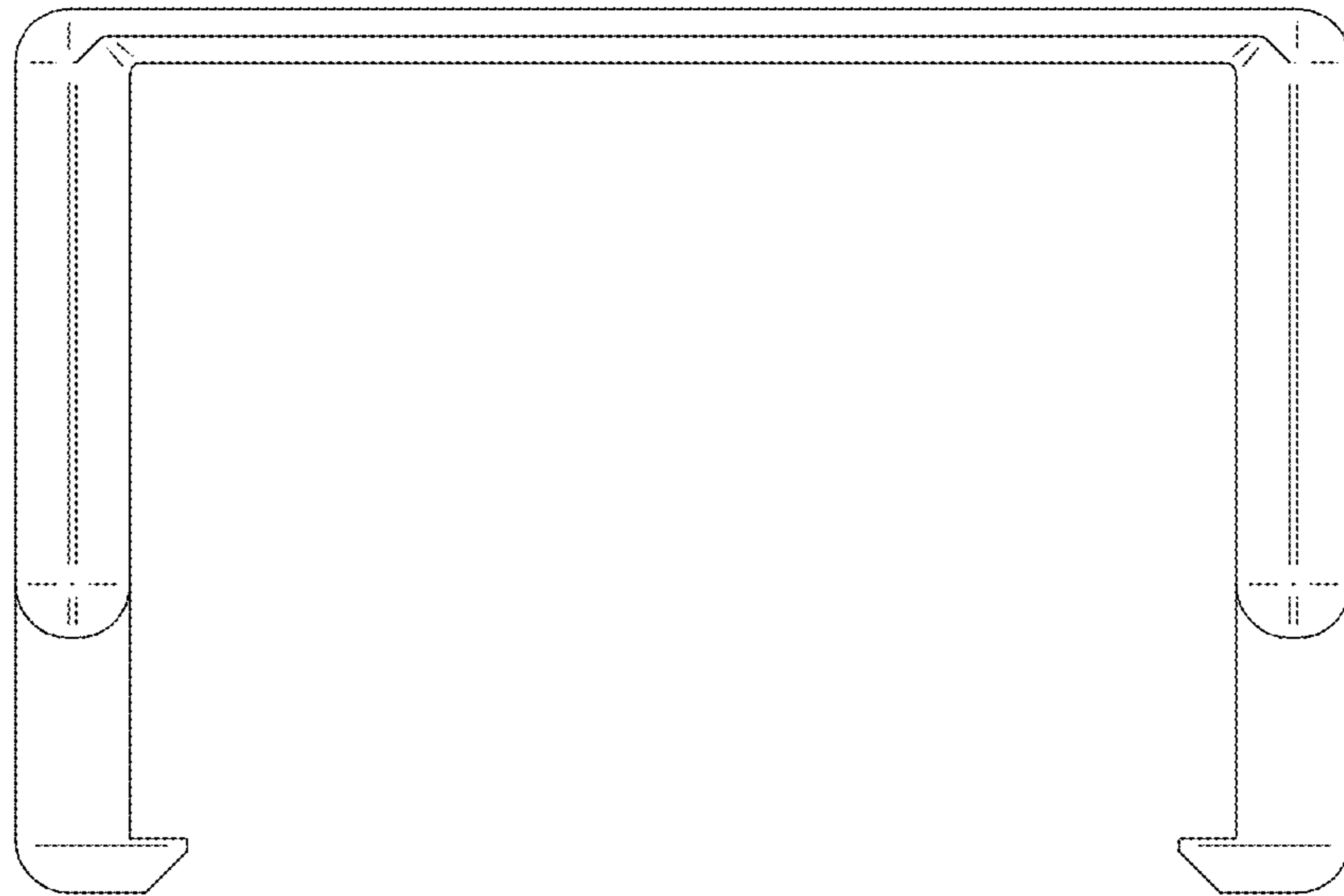


FIG. 6





FIG. 7

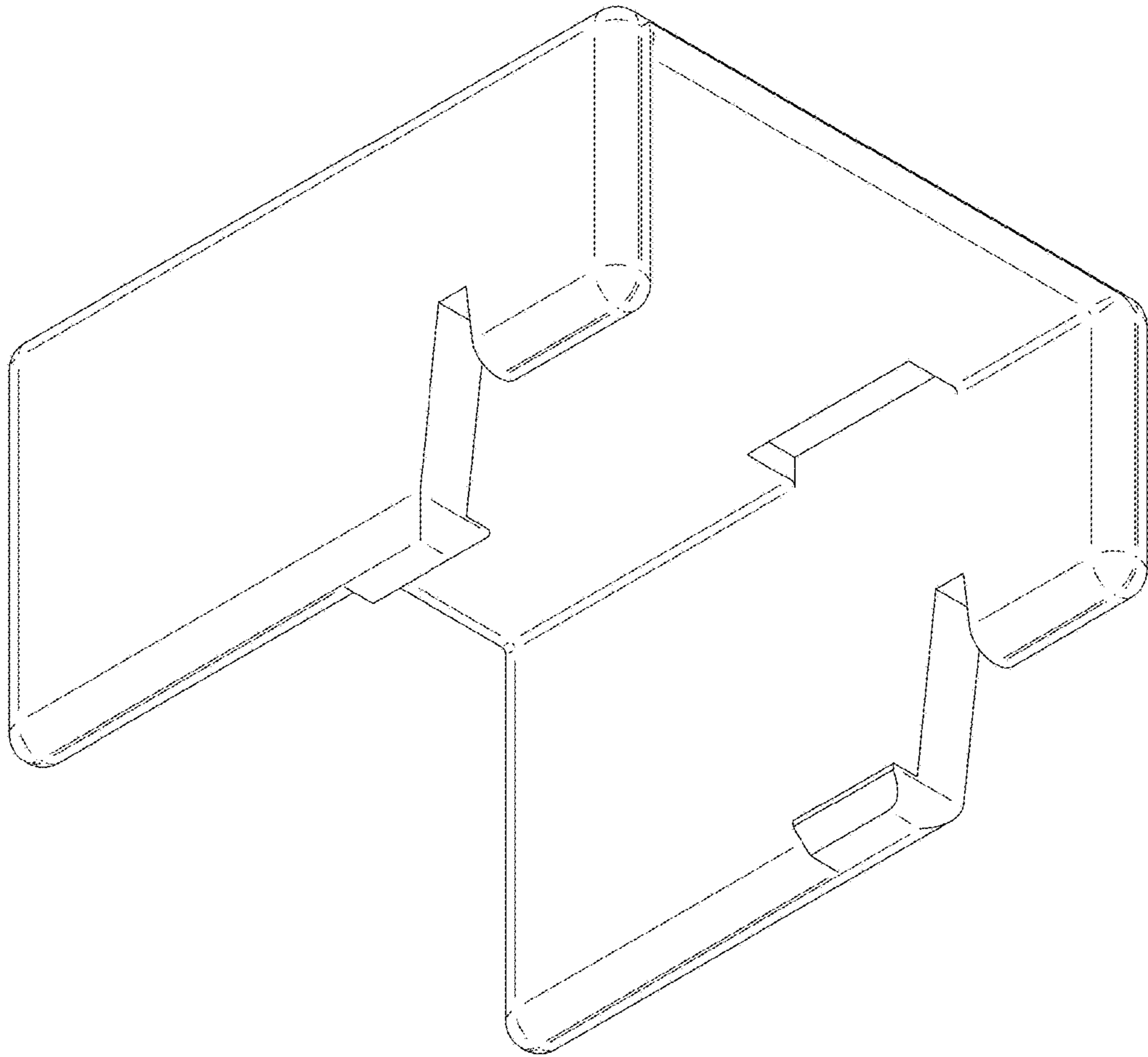


FIG. 8

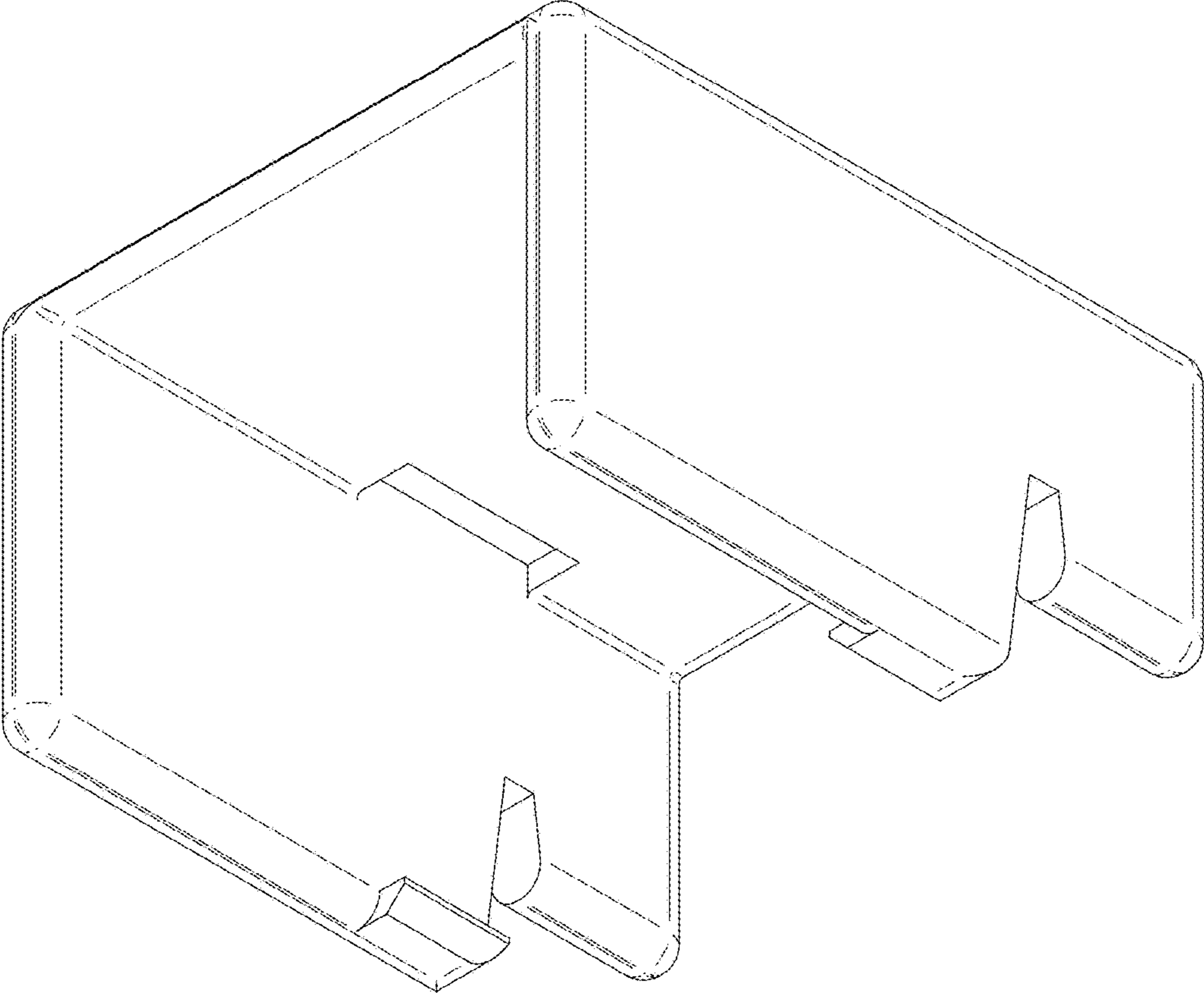


FIG. 9