



US00D831571S

(12) **United States Design Patent** (10) **Patent No.:** **US D831,571 S**  
**Eberts et al.** (45) **Date of Patent:** **\*\* Oct. 23, 2018**

(54) <b>CURRENT LIMITER LUG ADAPTER</b>	3,891,298 A *	6/1975	Yorgin .....	H01H 71/08 439/620.08
(71) Applicant: <b>Eaton Corporation</b> , Cleveland, OH (US)	4,603,376 A *	7/1986	Maier .....	H01R 4/36 200/284
(72) Inventors: <b>William George Eberts</b> , Moon Township, PA (US); <b>Frank Joseph Stifter, Jr.</b> , Bridgeville, PA (US)	4,646,199 A	2/1987	M'Sadoques et al.	
	D302,420 S *	7/1989	McGrane .....	439/798
	4,946,405 A *	8/1990	Boehm .....	H01R 4/36 439/387
(73) Assignee: <b>EATON INTELLIGENT POWER LIMITED</b> , Dublin (IE)	5,107,396 A	4/1992	Rosen et al.	
	D325,899 S *	5/1992	Krokaugger .....	D13/151
	5,269,710 A *	12/1993	Donnerstag .....	H01H 71/08 439/810
(**) Term: <b>15 Years</b>	D377,782 S *	2/1997	Fillinger .....	D13/151
(21) Appl. No.: <b>29/585,934</b>	5,831,498 A	11/1998	Maloney et al.	
(22) Filed: <b>Nov. 30, 2016</b>	6,437,268 B1 *	8/2002	Etscheidt .....	H01H 71/08 200/305
	6,930,577 B2 *	8/2005	Subramanian .....	H01H 1/2058 200/304
	D585,833 S *	2/2009	Sherman .....	D13/148
	7,766,704 B2 *	8/2010	Robinson .....	H01R 4/36 439/814
	D721,333 S *	1/2015	Leis .....	H01R 4/18 D13/118

**Related U.S. Application Data**

(63) Continuation of application No. 15/254,231, filed on Sep. 1, 2016, now Pat. No. 9,917,382.

(51) **LOC (11) Cl.** ..... **13-02**

(52) **U.S. Cl.**  
USPC ..... **D13/119**

(58) **Field of Classification Search**  
USPC ..... D13/155, 123, 133, 151, 153, 154, 156, D13/184, 199, 146, 149, 148, 178; D8/349, 354, 380; D23/259, 262  
CPC . H01R 24/58; H01R 4/10; H01R 4/18; H01R 4/38; H01R 4/40; H01R 4/56; H01R 4/60; H01R 4/64; H01H 71/08; H01H 2001/5861  
See application file for complete search history.

(56) **References Cited**

**U.S. PATENT DOCUMENTS**

D195,623 S *	7/1963	Leonardo .....	439/797
3,534,195 A *	10/1970	Palmieri .....	H01H 71/08 200/270

(Continued)

*Primary Examiner* — Derrick Holland  
*Assistant Examiner* — Jennifer O King  
(74) *Attorney, Agent, or Firm* — Eckert Seamans

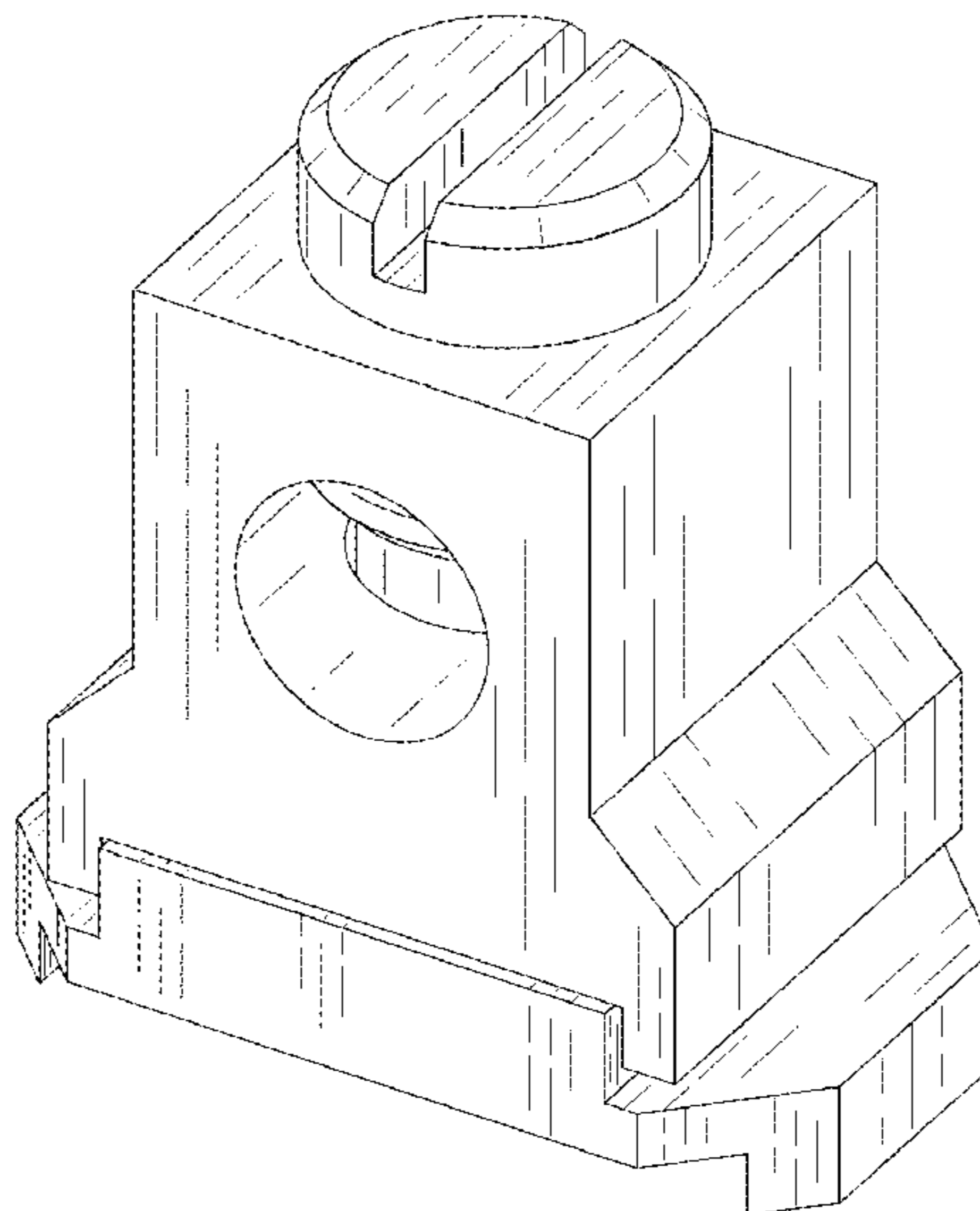
(57) **CLAIM**

The ornamental design for a current limiter lug adapter, as shown and described.

**DESCRIPTION**

FIG. 1 is an isometric view of a current limiter lug adapter; FIG. 2 is a front view thereof; FIG. 3 is a right side view thereof; FIG. 4 is a left side view thereof; FIG. 5 is a back view thereof; FIG. 6 is a top view thereof; and, FIG. 7 is a bottom view thereof.

**1 Claim, 4 Drawing Sheets**



(56)

**References Cited**

U.S. PATENT DOCUMENTS

D796,455 S *	9/2017	Eberts .....	D13/154
2005/0057333 A1 *	3/2005	Subramanian .....	H01H 1/2058 335/202
2014/0110230 A1 *	4/2014	Eberts .....	H01H 71/08 200/237
2014/0225707 A1 *	8/2014	Turner .....	H01H 71/164 337/107

\* cited by examiner

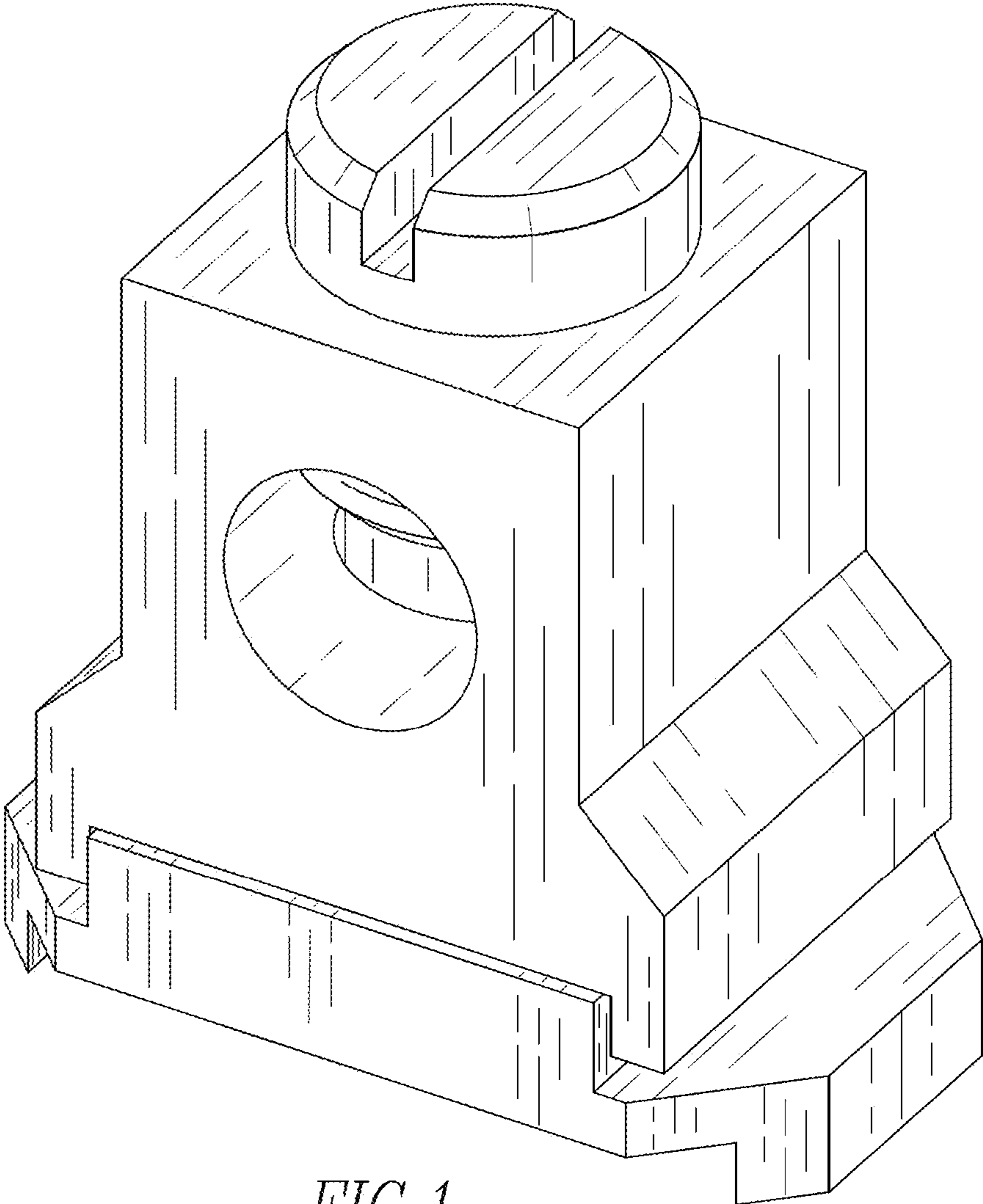


FIG. 1

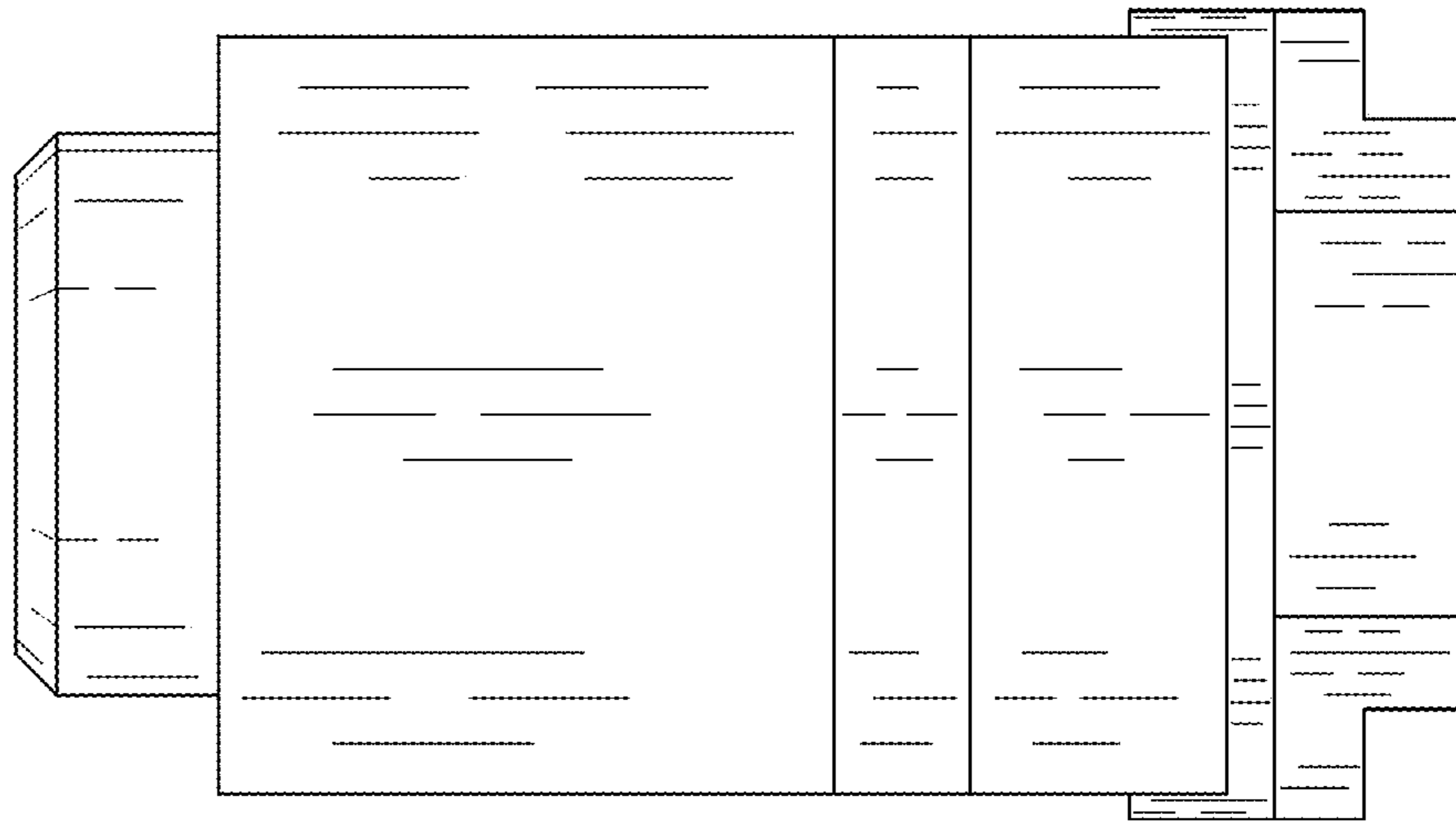


FIG. 3

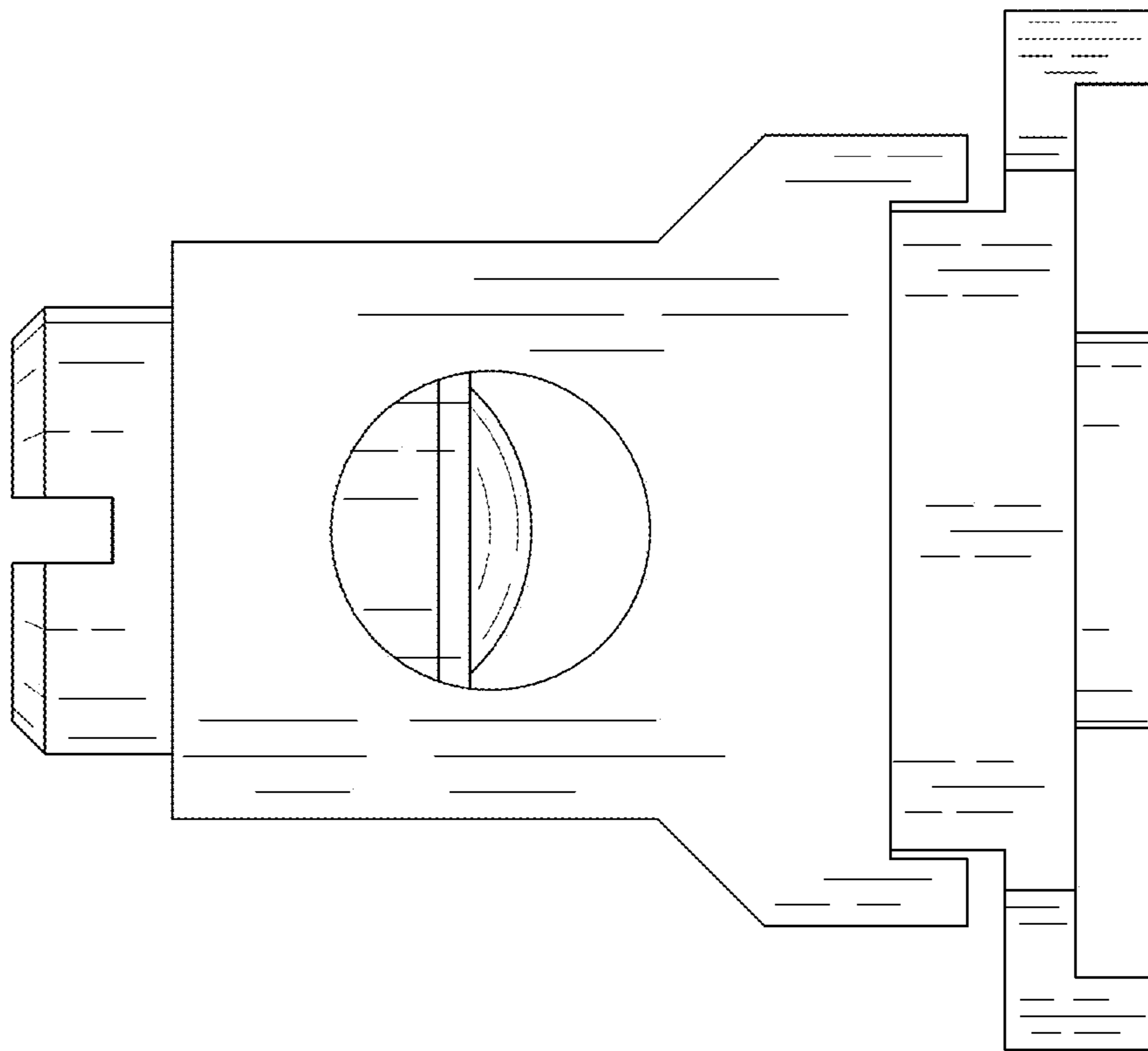


FIG. 2

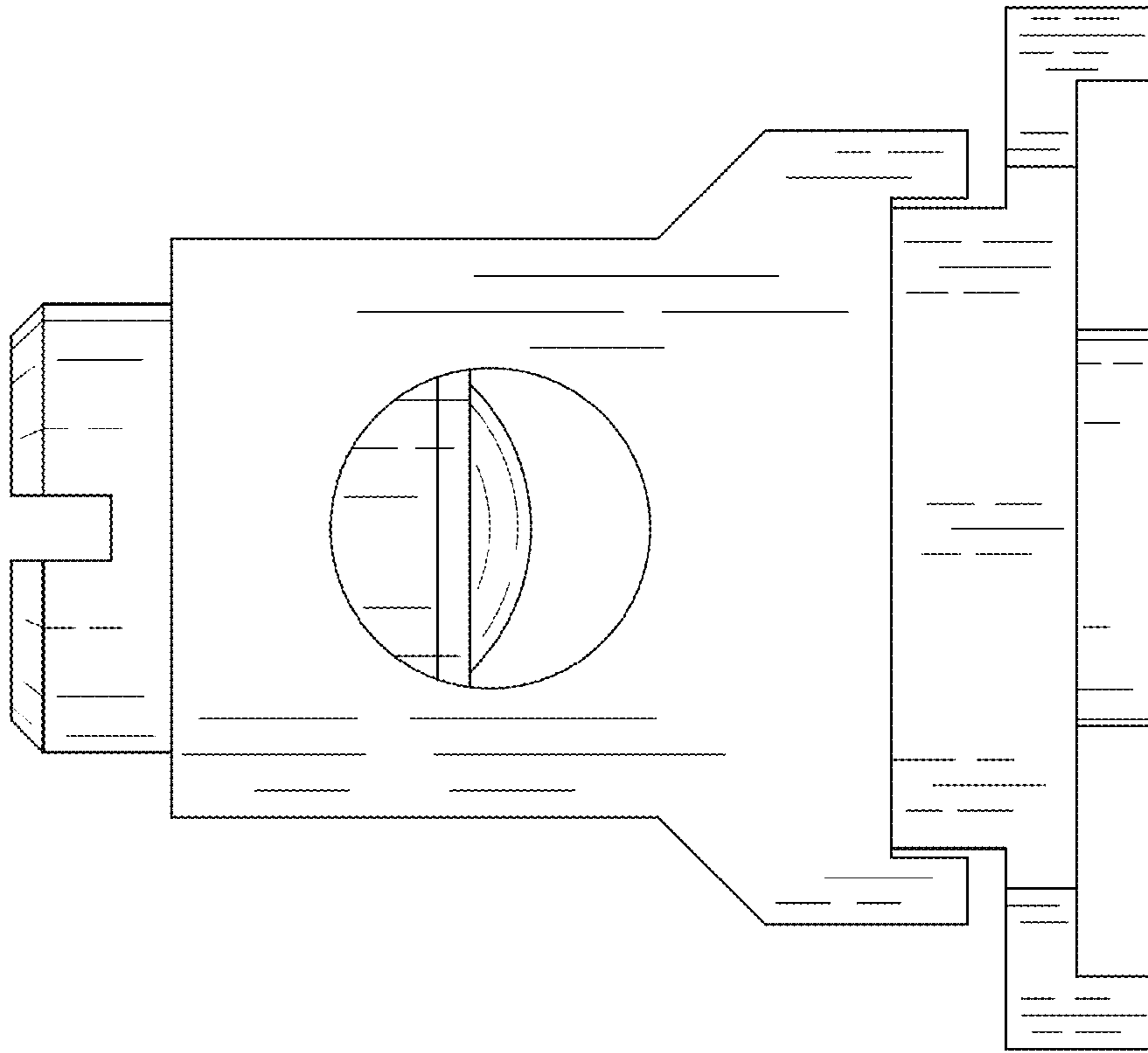


FIG. 5

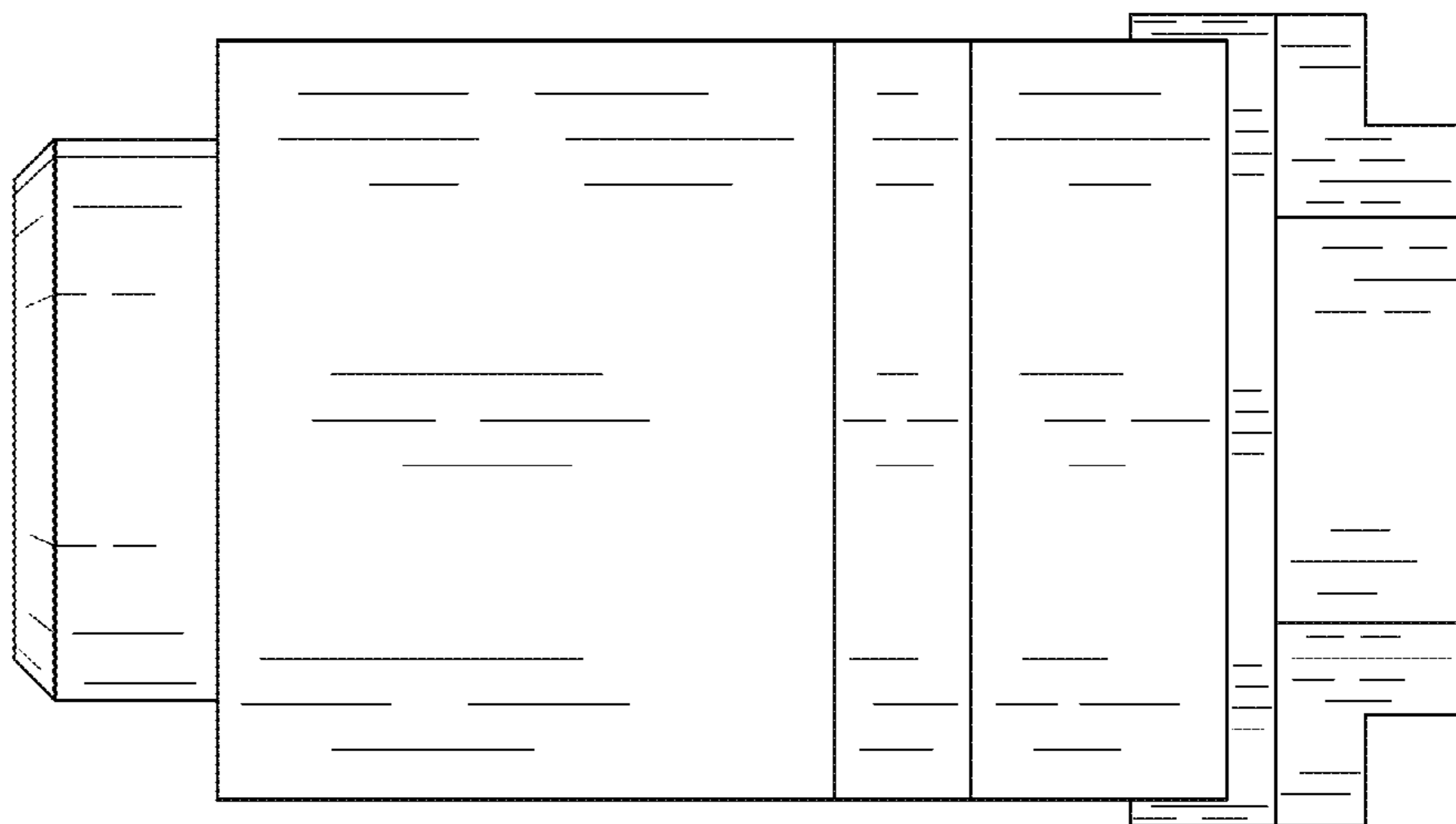
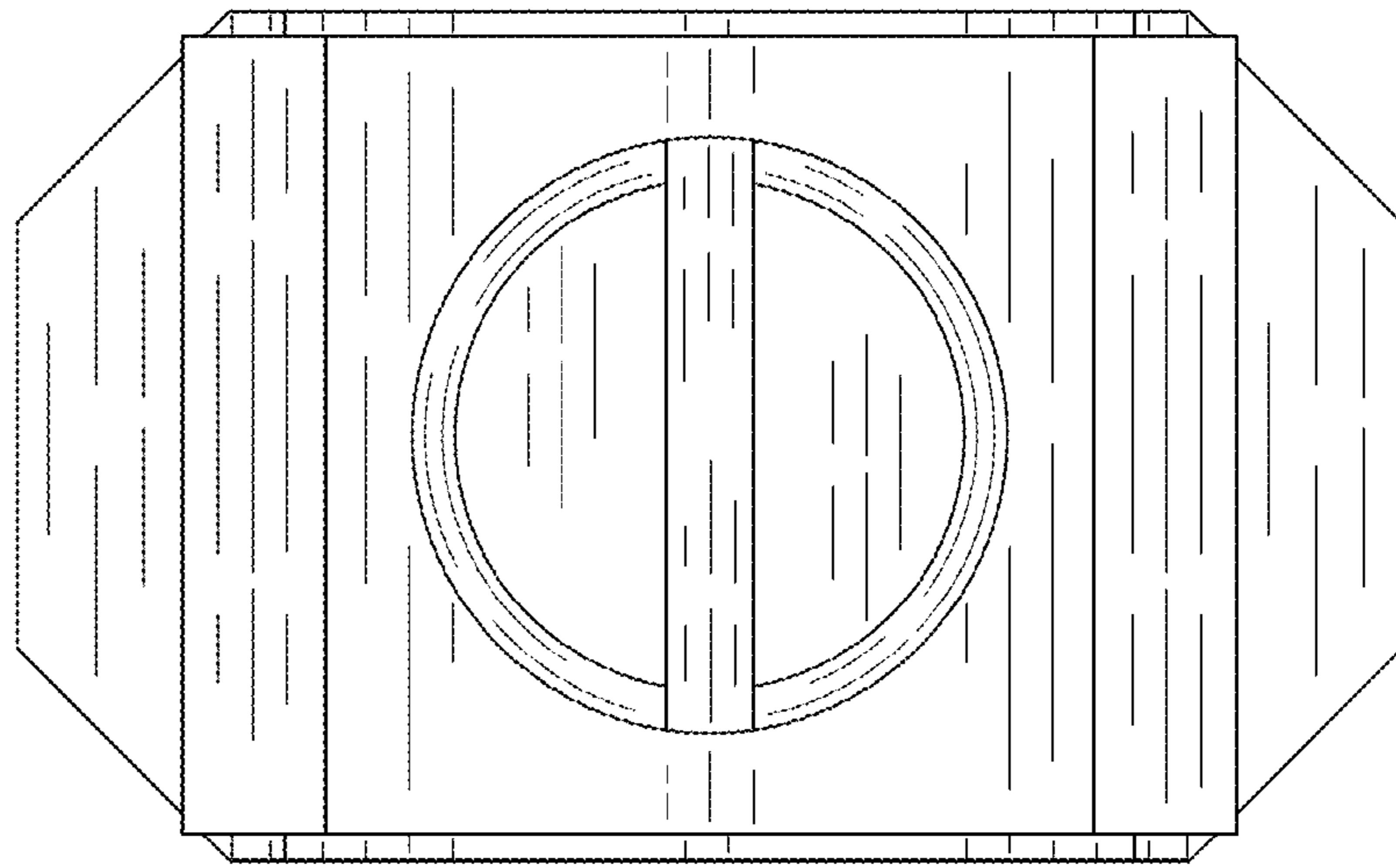
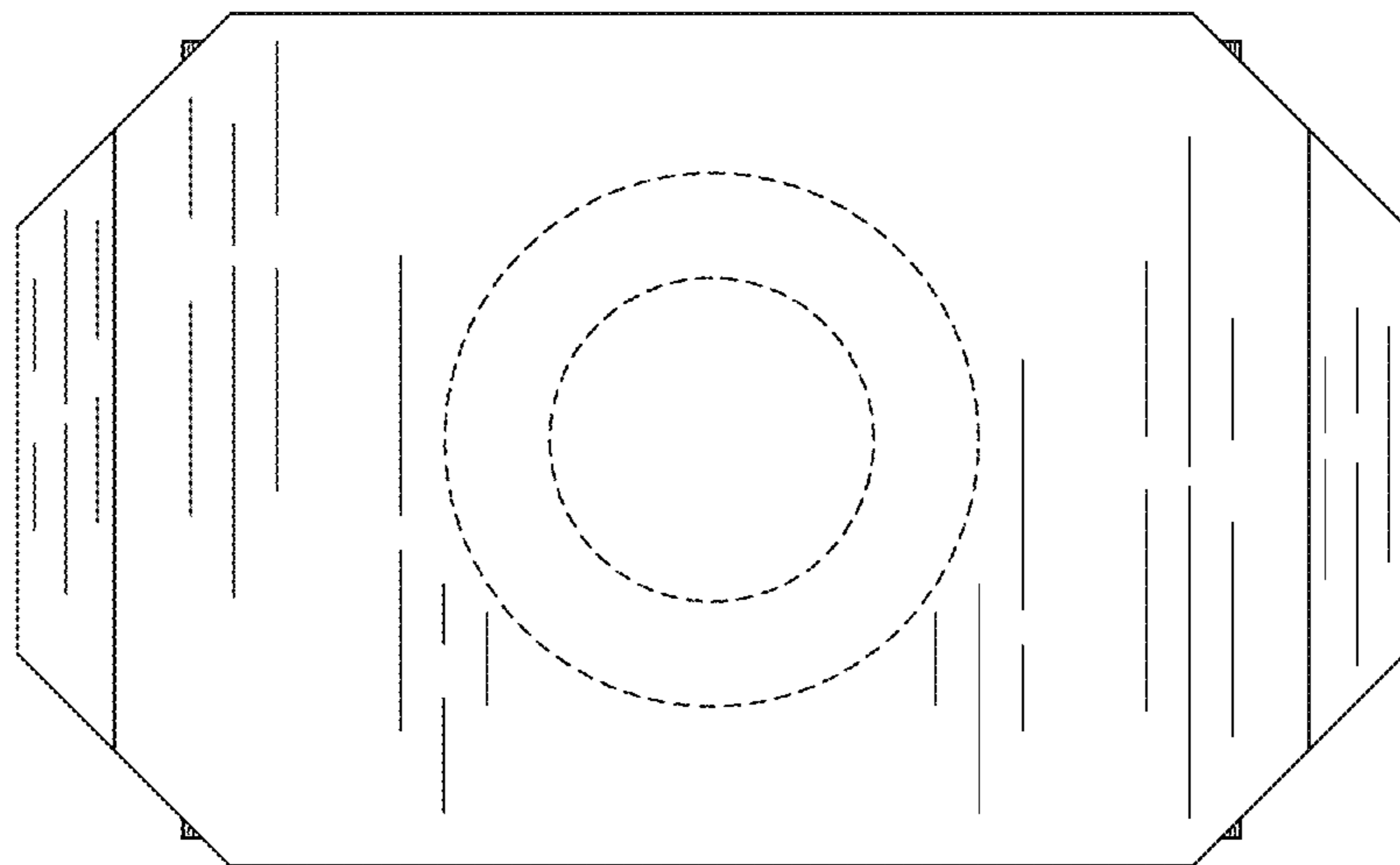


FIG. 4



*FIG. 6*



*FIG. 7*