



US00D831570S

(12) **United States Design Patent**  
**Takagi et al.**

(10) **Patent No.:** **US D831,570 S**  
(45) **Date of Patent:** **\*\* Oct. 23, 2018**

- (54) **COIL COMPONENT**
- (71) Applicant: **TDK CORPORATION**, Tokyo (JP)
- (72) Inventors: **Nobuo Takagi**, Tokyo (JP); **Toshio Tomonari**, Tokyo (JP); **Setu Tsuchida**, Tsuruoka (JP); **Syun Ashizawa**, Tokyo (JP)
- (73) Assignee: **TDK CORPORATION**, Tokyo (JP)
- (\*\*) Term: **15 Years**
- (21) Appl. No.: **29/614,451**
- (22) Filed: **Aug. 18, 2017**

6,373,366 B1 4/2002 Sato et al.  
6,522,230 B2 \* 2/2003 Hanato ..... H01F 17/045  
336/192

(Continued)

*Primary Examiner* — Derrick Holland  
*Assistant Examiner* — Jennifer O King  
(74) *Attorney, Agent, or Firm* — Arent Fox LLP

**Related U.S. Application Data**

- (62) Division of application No. 29/528,830, filed on Jun. 1, 2015, now Pat. No. Des. 798,814.

**Foreign Application Priority Data**

- Dec. 2, 2014 (JP) ..... 2014-026937
- Dec. 2, 2014 (JP) ..... 2014-026938

- (51) **LOC (11) Cl.** ..... **13-02**

- (52) **U.S. Cl.**  
USPC ..... **D13/117**

- (58) **Field of Classification Search**  
USPC ..... D13/113, 117, 122, 118, 182, 183, 199;  
242/160.1, 160.4, 360; 335/13, 134, 136,  
335/213, 282; 336/15, 69, 70, 139, 174,  
336/198  
CPC ..... H01F 27/34; H01F 27/362; H01F 38/14;  
H01F 17/0006; H01F 5/003; H02J 3/12;  
H02J 5/005

See application file for complete search history.

(56) **References Cited**

**U.S. PATENT DOCUMENTS**

D290,456 S 6/1987 Burgher et al.

(57) **CLAIM**

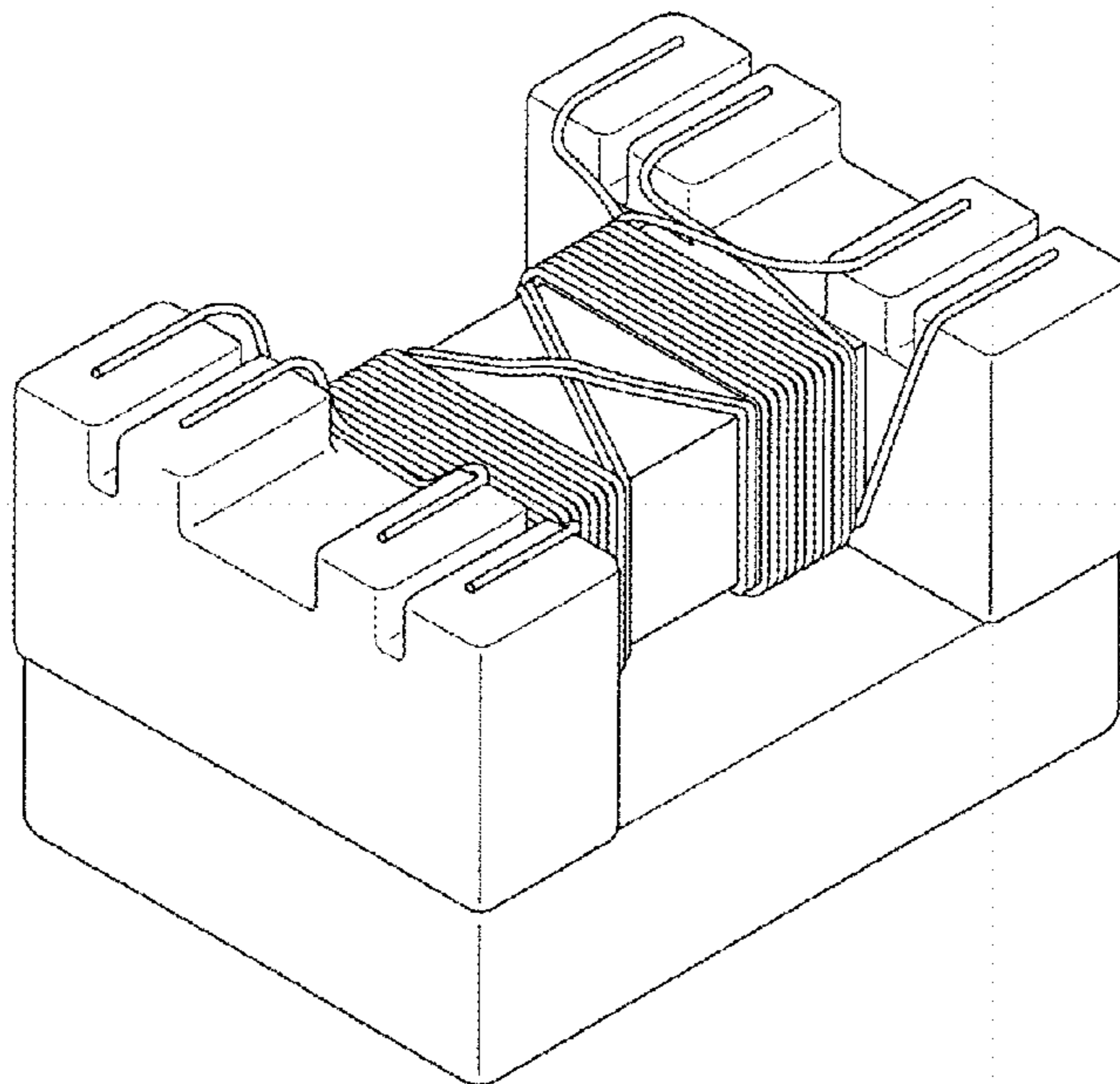
The ornamental design for a coil component, as shown and described.

**DESCRIPTION**

FIG. 1 is a front view of a first embodiment of a coil component showing our new design;  
FIG. 2 is a back view of the design shown in FIG. 1;  
FIG. 3 is a left side view of the design shown in FIG. 1;  
FIG. 4 is a top view of the design shown in FIG. 1;  
FIG. 5 is a bottom view of the design shown in FIG. 1;  
FIG. 6 is a perspective view of the design shown in FIG. 1;  
FIG. 7 is a front view of a second embodiment of a coil component showing our new design;  
FIG. 8 is a back view of the design shown in FIG. 7;  
FIG. 9 is a left side view of the design shown in FIG. 7;  
FIG. 10 is a top view of the design shown in FIG. 7;  
FIG. 11 is a bottom view of the design shown in FIG. 7; and,  
FIG. 12 is a perspective view of the design shown in FIG. 7.

A right side view of the design according to the first embodiment is symmetrical to FIG. 3, and is not illustrated. A right side view of the design according to the second embodiment is symmetrical to FIG. 9, and is not illustrated. The broken lines in the figures show portions of the coil component that form no part of the claimed design.

**1 Claim, 8 Drawing Sheets**



(56)

**References Cited**

## U.S. PATENT DOCUMENTS

6,778,055 B1 \* 8/2004 Wang ..... H01F 17/045  
336/208  
6,965,289 B2 \* 11/2005 Toi ..... H01F 17/045  
336/200  
7,791,444 B2 9/2010 Tomonari et al.  
D669,031 S 10/2012 Wagatsuma et al.  
D721,651 S 1/2015 Iwakura et al.  
9,177,710 B2 11/2015 Lee et al.  
9,196,415 B2 \* 11/2015 Takagi ..... H01F 27/29  
9,305,695 B2 4/2016 Karasek et al.  
D762,576 S 8/2016 Komaya et al.  
D790,468 S \* 6/2017 Kokura ..... D13/117  
D798,814 S \* 10/2017 Takagi ..... D13/117  
D816,033 S \* 4/2018 Komaya ..... D13/117  
2002/0101319 A1 8/2002 Komiya  
2005/0237141 A1 10/2005 Hirai et al.  
2009/0144967 A1 \* 6/2009 Hasu ..... H01F 27/2847  
29/605  
2010/0109827 A1 5/2010 Asou et al.  
2012/0074899 A1 3/2012 Tsai et al.  
2013/0049914 A1 2/2013 Huang et al.  
2014/0292463 A1 10/2014 Lai et al.  
2016/0155561 A1 6/2016 Takagi et al.  
2018/0061557 A1 \* 3/2018 Yang ..... H01F 27/2847  
2018/0096782 A1 \* 4/2018 Miyamoto ..... H01F 27/34  
2018/0137969 A1 \* 5/2018 Hamamura ..... H01F 27/34

\* cited by examiner

FIG. 1

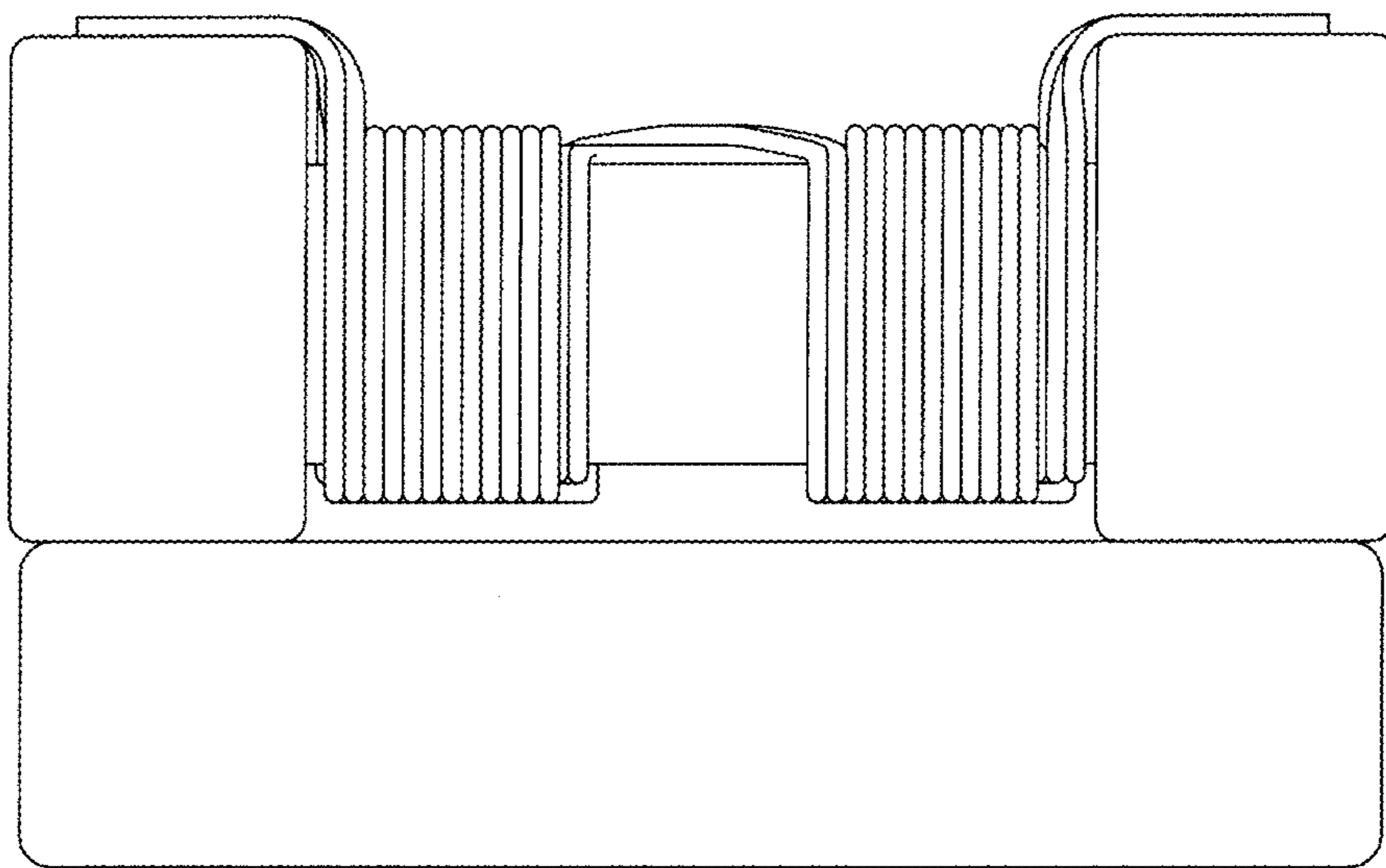


FIG. 2

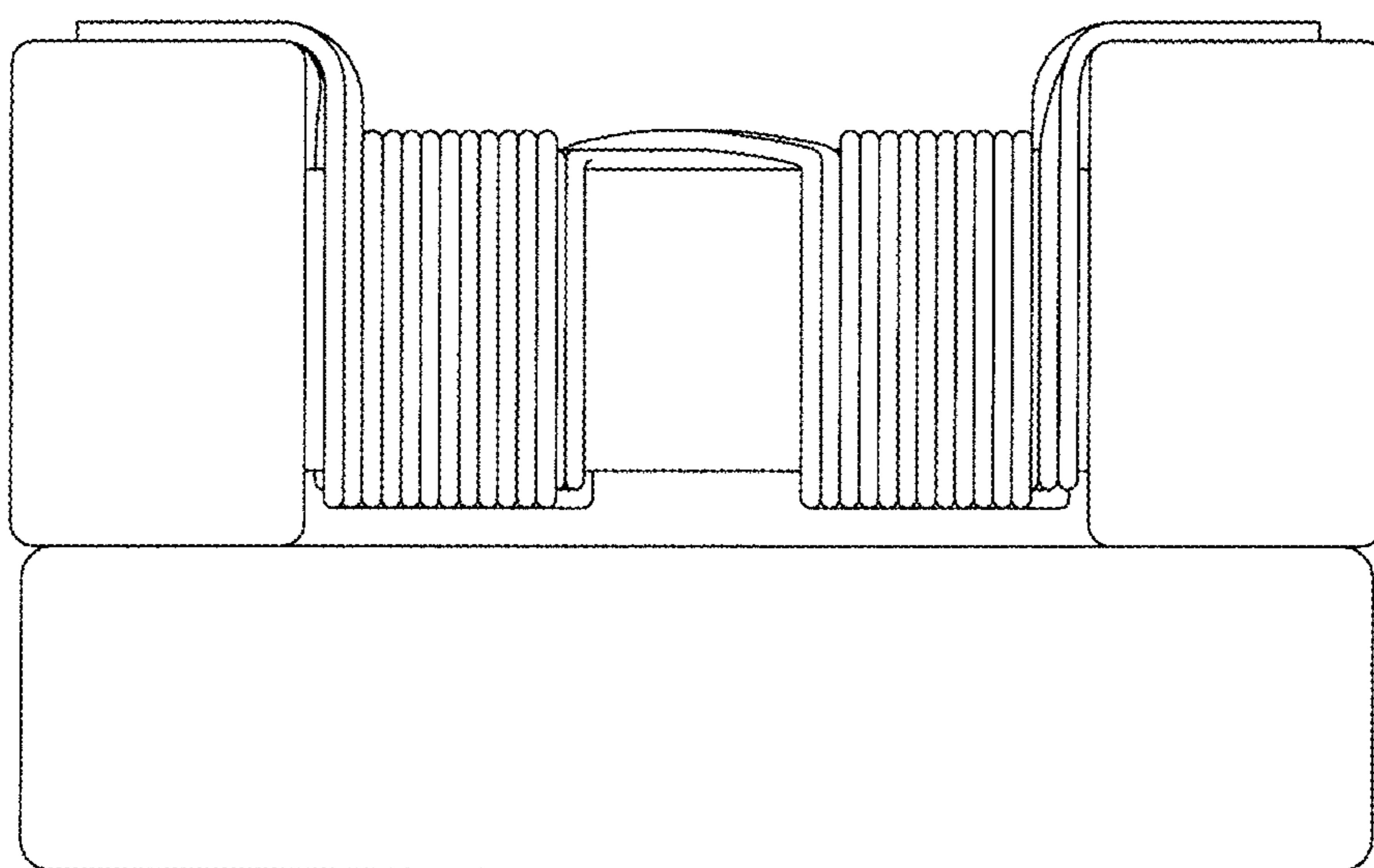


FIG. 3

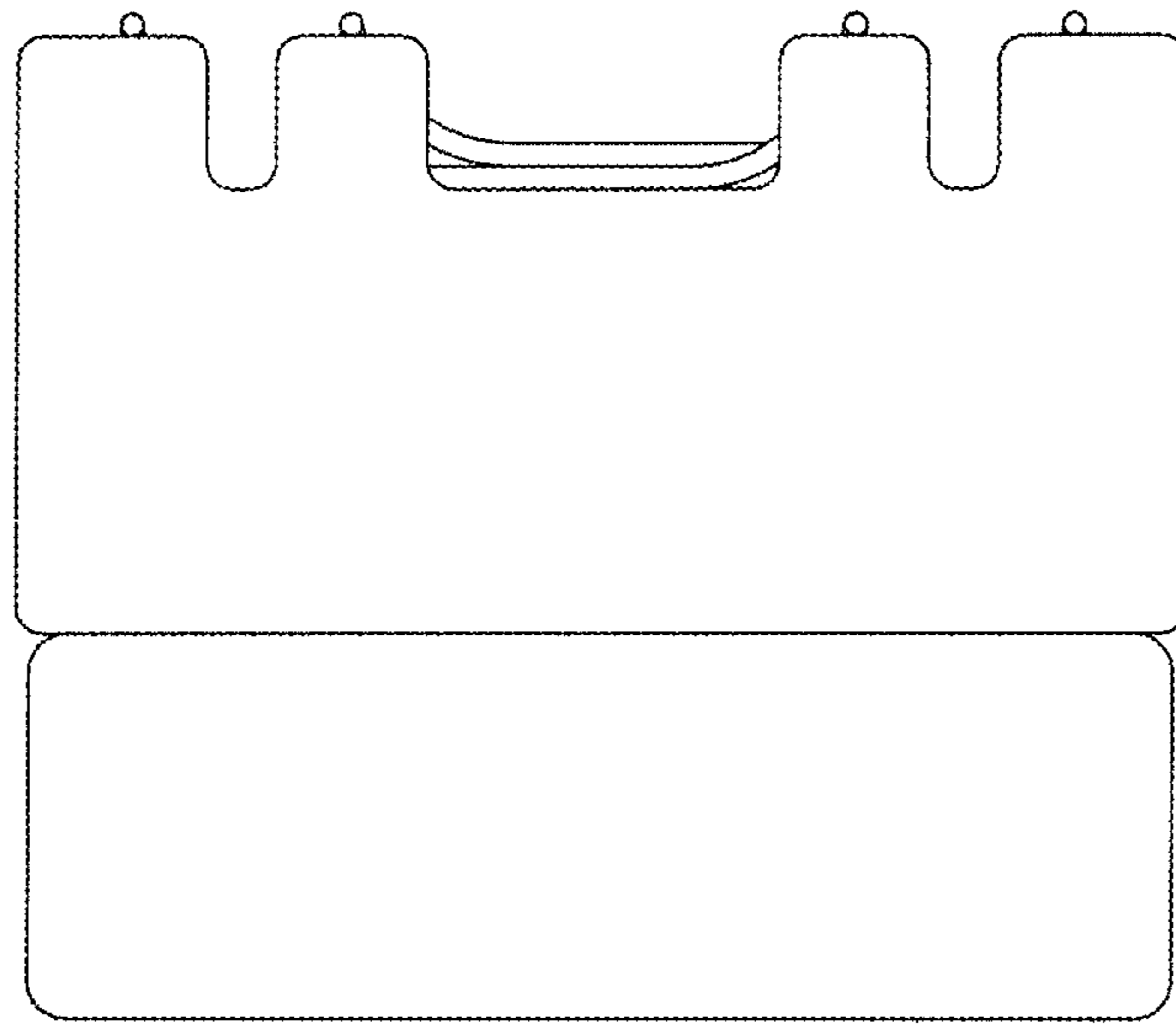


FIG. 4

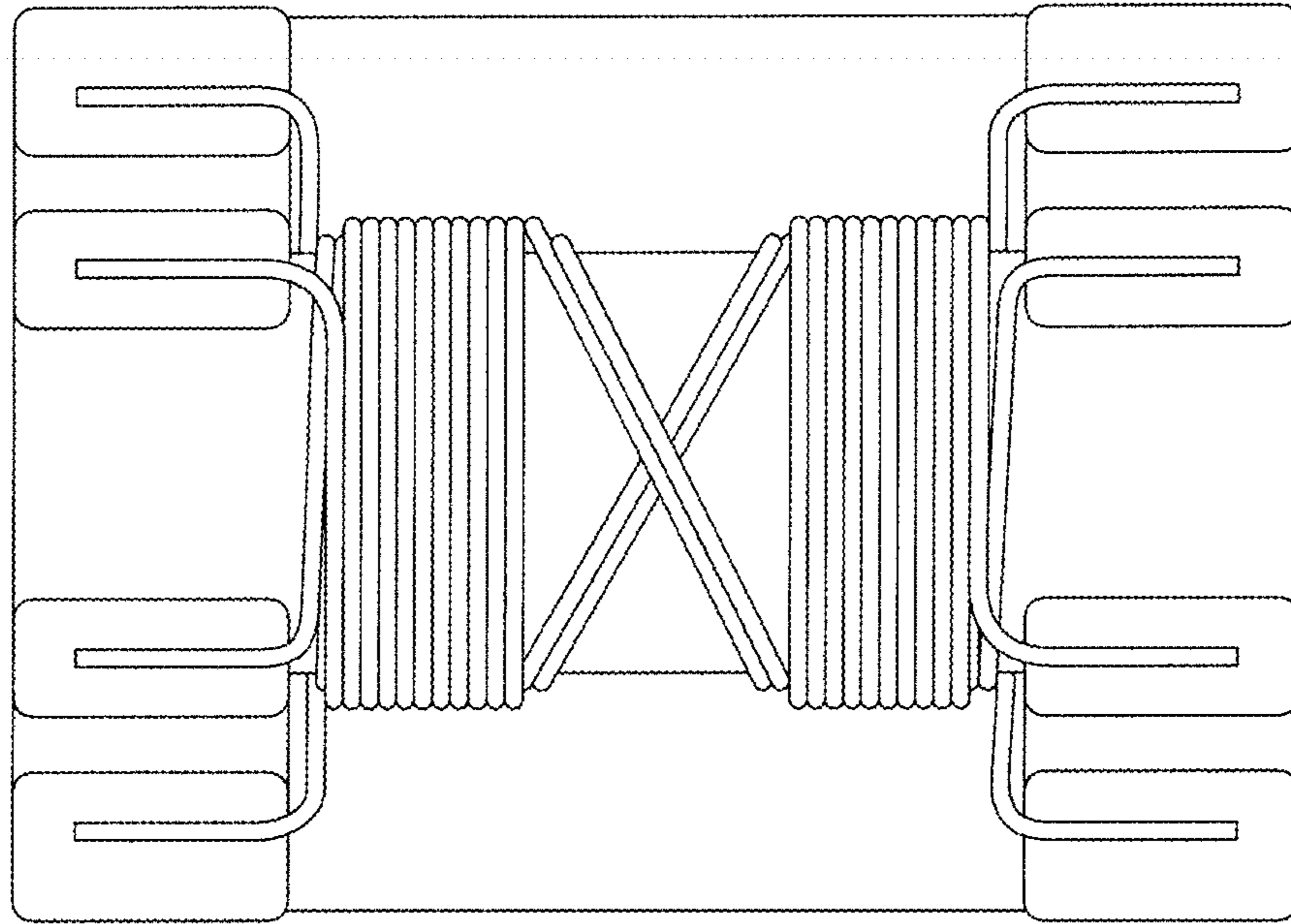


FIG. 5

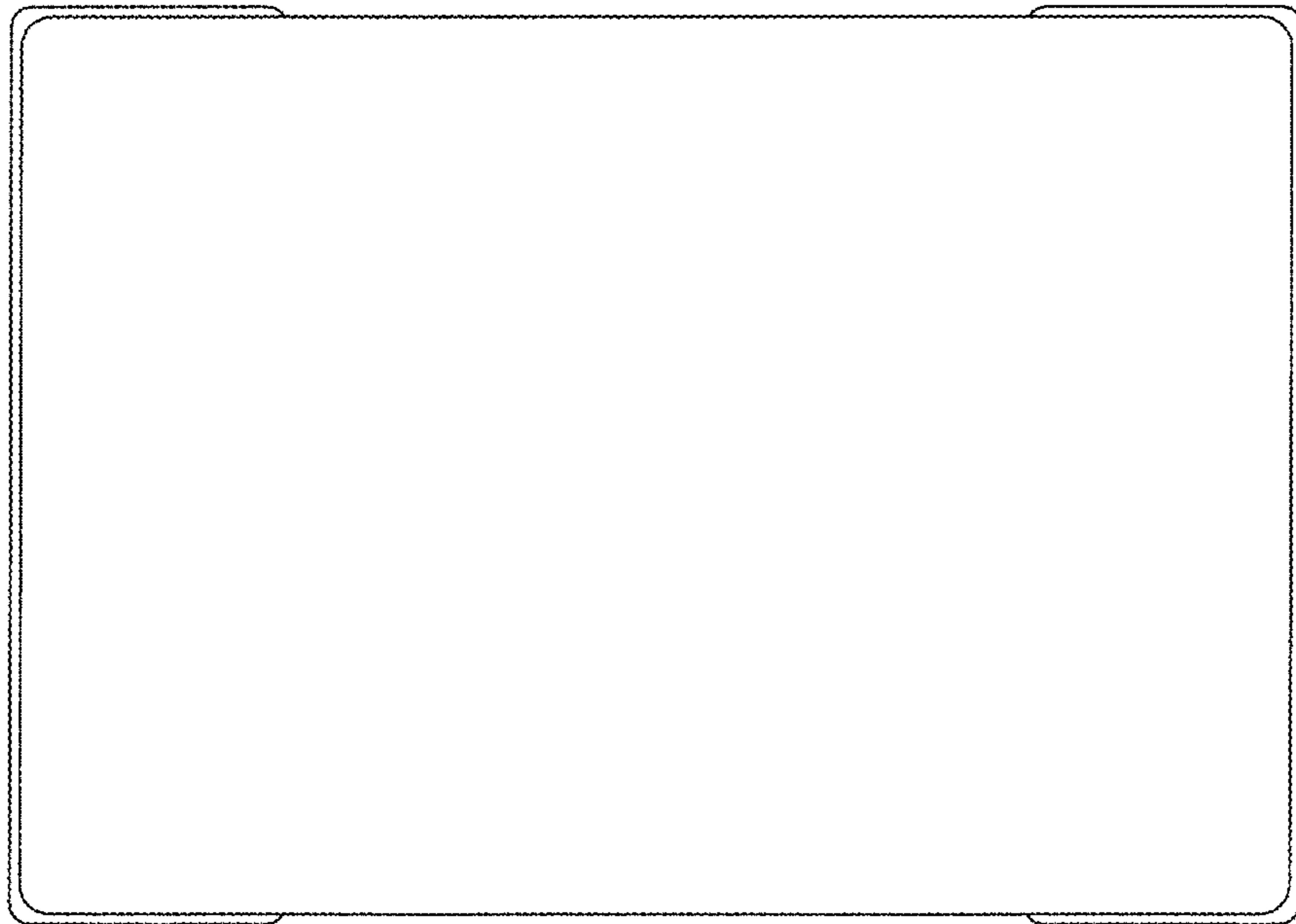


FIG. 6

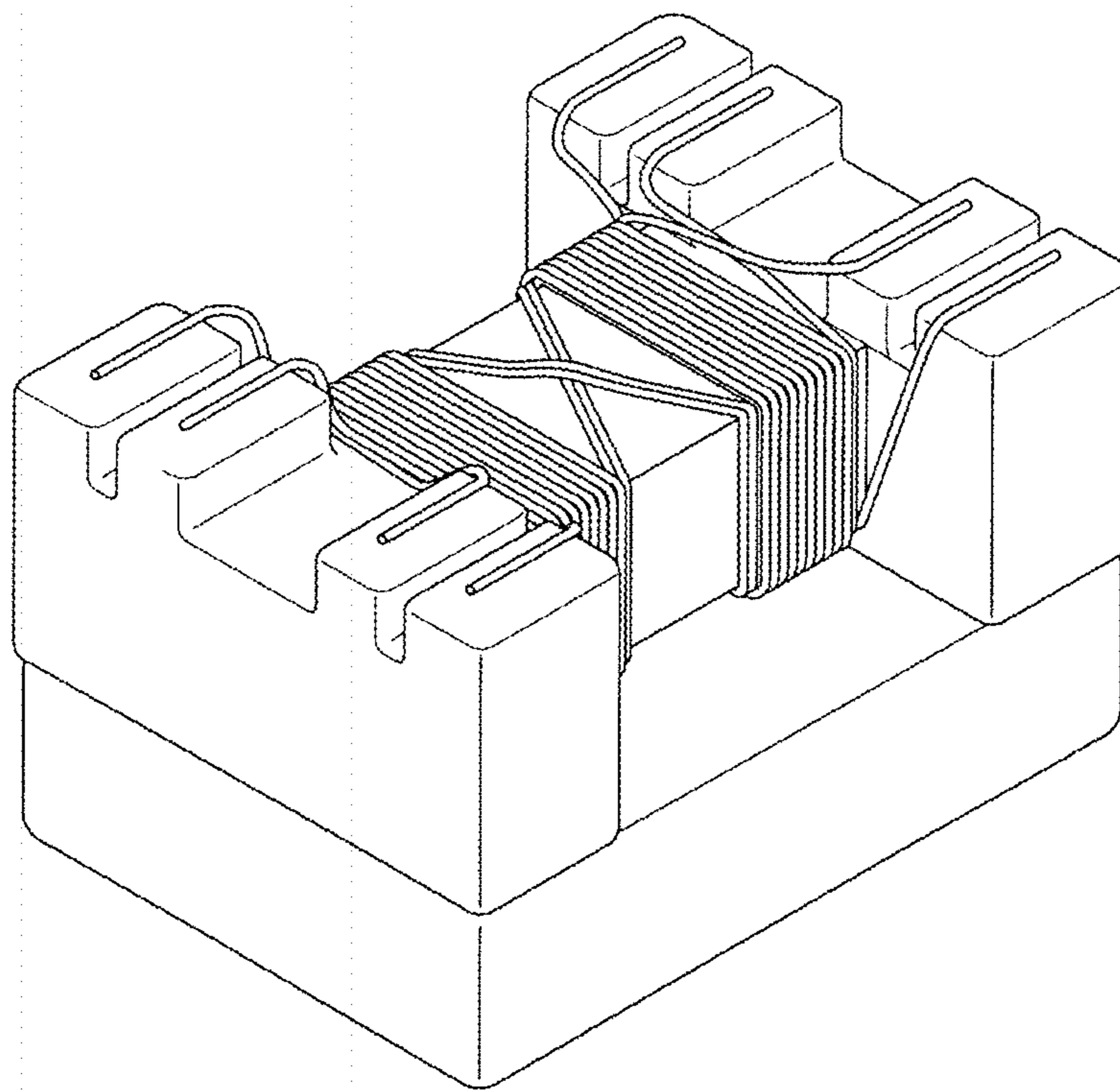


FIG. 7

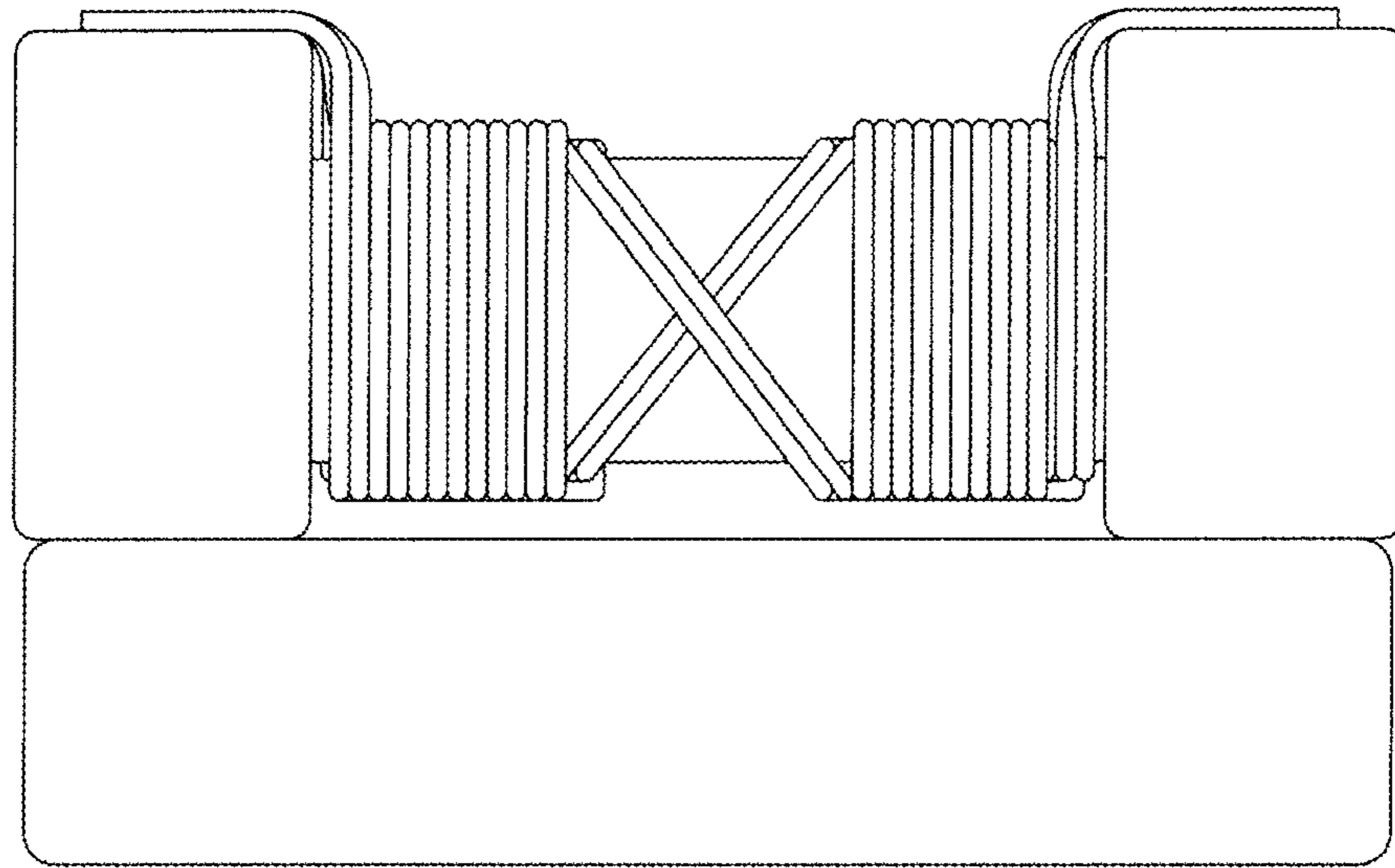


FIG. 8

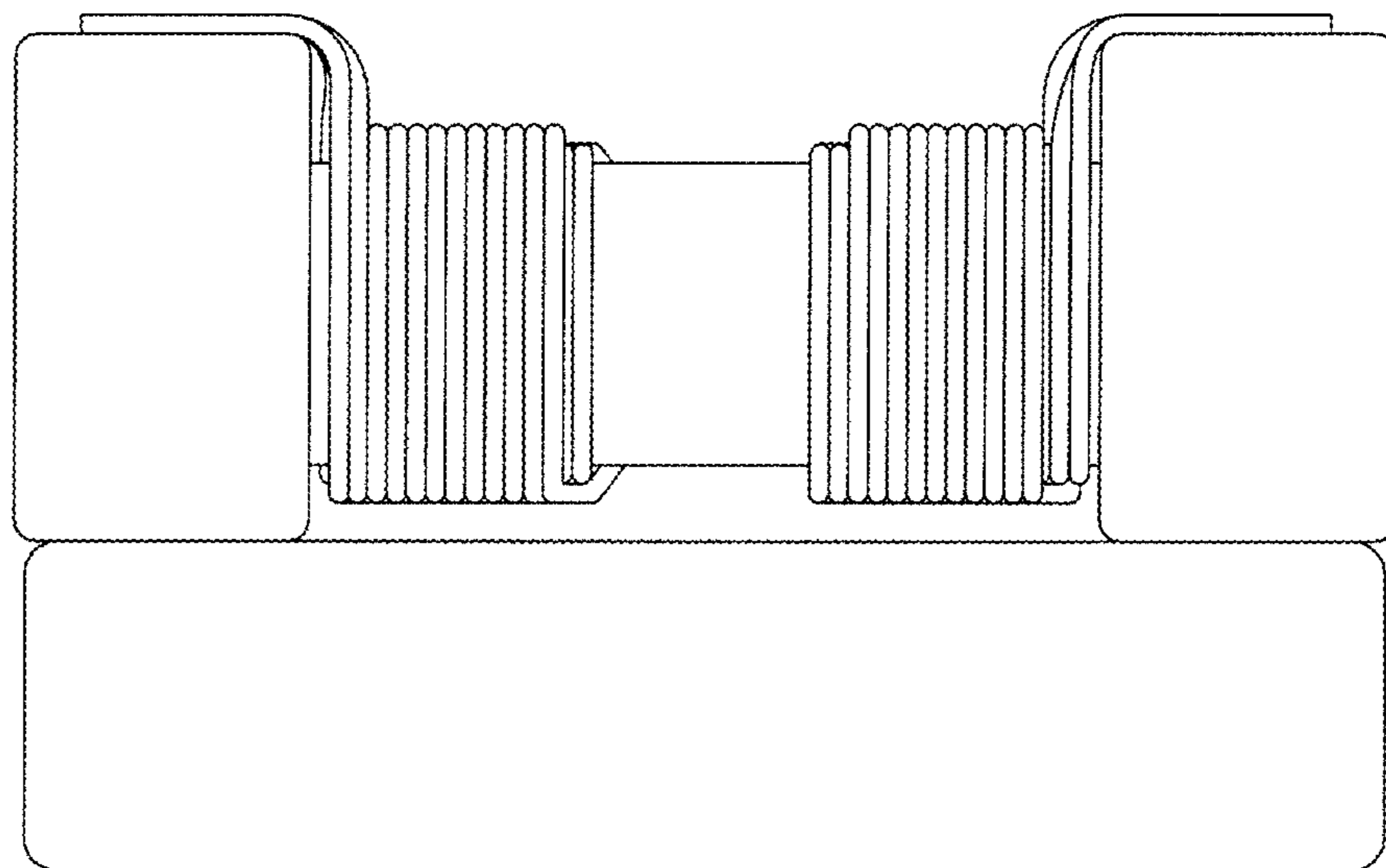


FIG. 9

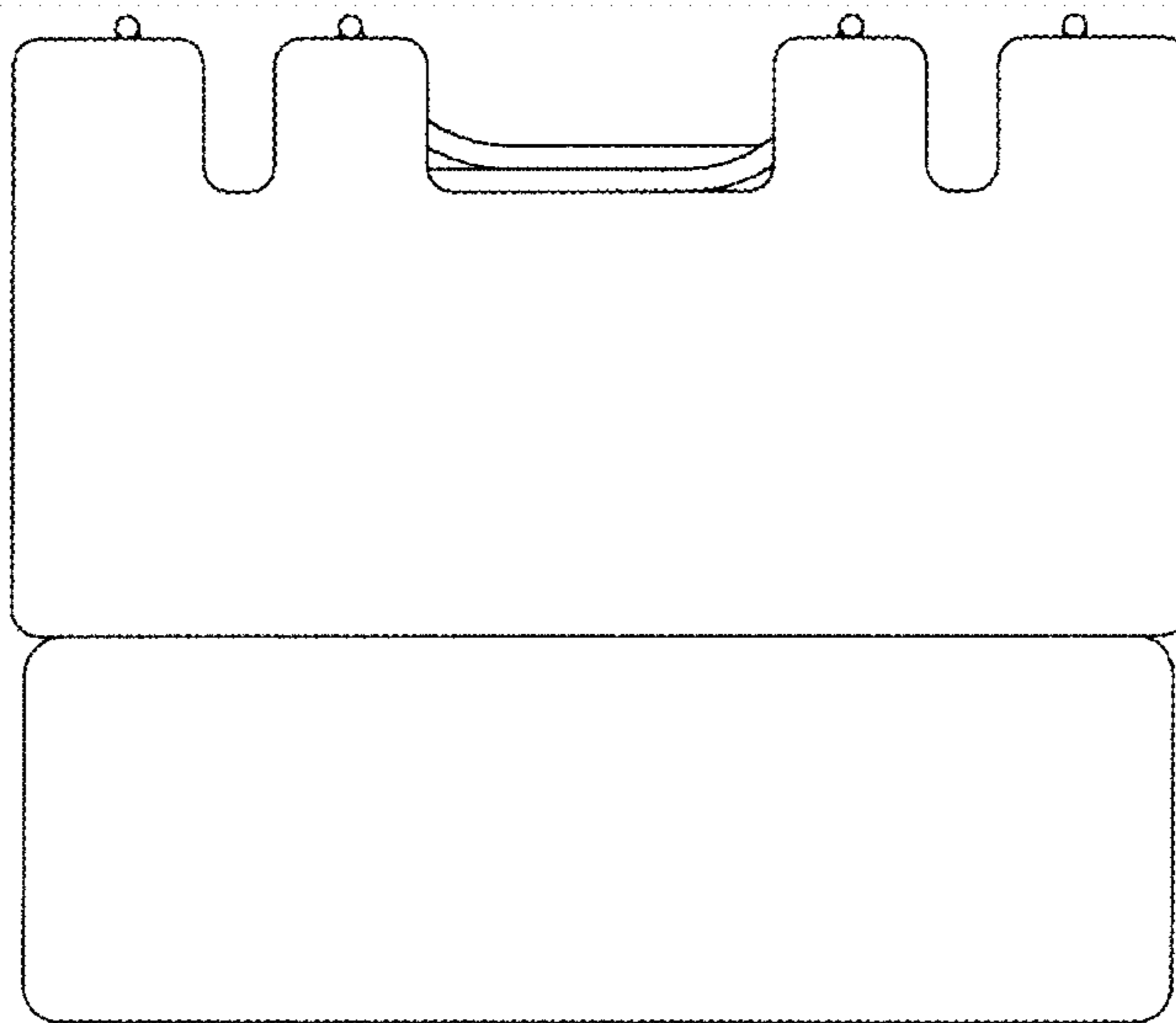




FIG. 10

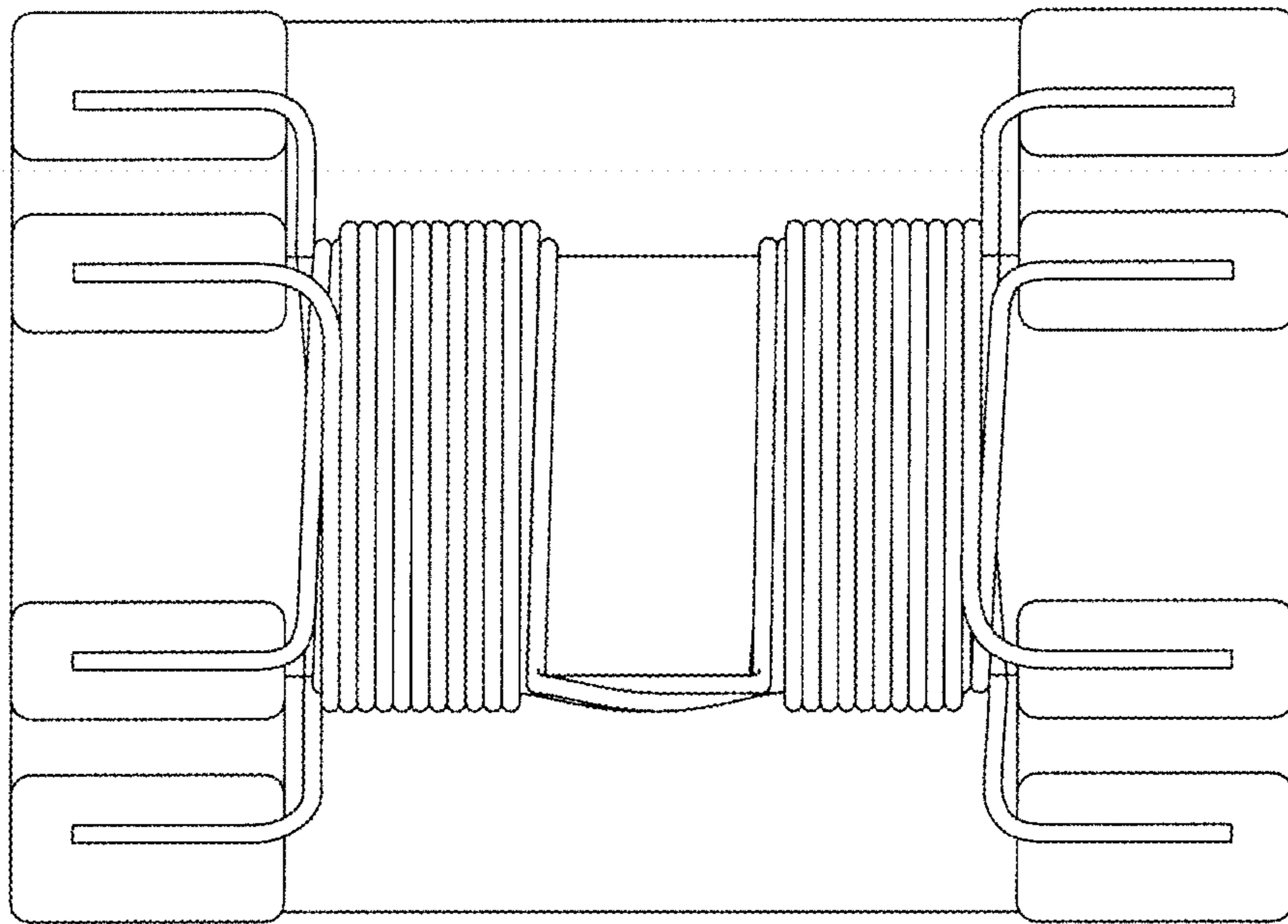


FIG. 11

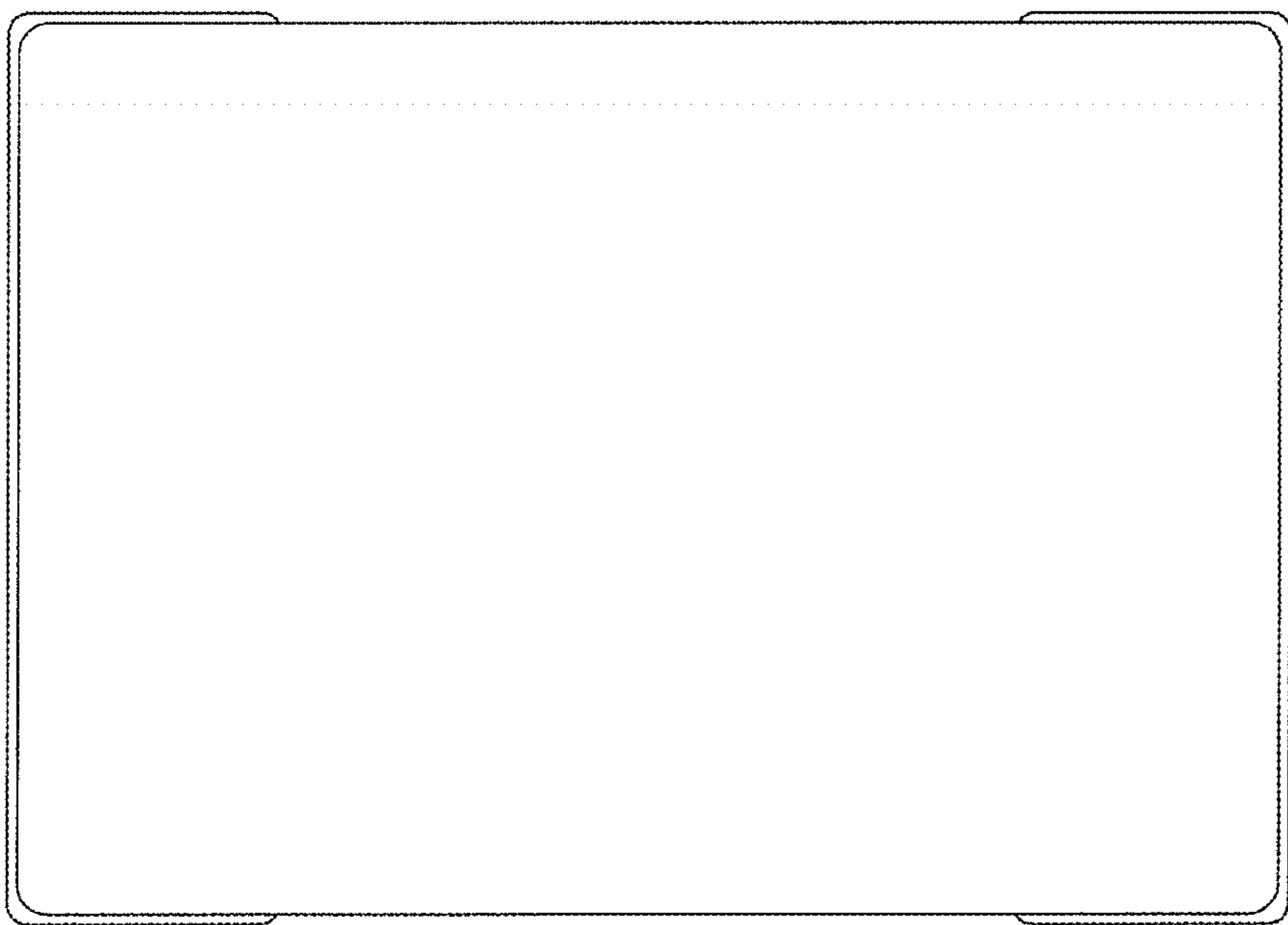


FIG. 12

