



US00D831569S

(12) **United States Design Patent** (10) **Patent No.:** **US D831,569 S**
Simoni et al. (45) **Date of Patent:** **** Oct. 23, 2018**

(54) **MODULAR INVERTER ASSEMBLY CASE** 3,641,395 A * 2/1972 Nation H02B 1/40
361/725
(71) Applicant: **ABB Technology AG**, Zurich (CH) D281,969 S 12/1985 Moeller
D287,360 S 12/1986 Lehmann
(72) Inventors: **Santi Simoni**, Neri Cavriglia (IT); D297,136 S 8/1988 Collins et al.
Sauro Collini, Bucine (IT) D304,339 S * 10/1989 Collins 379/412
4,910,770 A 3/1990 Collins et al.
(73) Assignee: **ABB TECHNOLOGY AG**, Zurich D312,244 S * 11/1990 Collins D13/152
(CH) D312,618 S 12/1990 Ambros
D314,759 S 2/1991 Collins et al.
D337,313 S 7/1993 Davis
(**) Term: **15 Years** (Continued)

(21) Appl. No.: **29/582,150**

(22) Filed: **Oct. 25, 2016**

Related U.S. Application Data

(62) Division of application No. 29/513,155, filed on Dec. 29, 2014, now Pat. No. Des. 773,393.

(30) **Foreign Application Priority Data**

Jul. 4, 2014 (EM) 002496679

(51) **LOC (11) Cl.** **13-02**

(52) **U.S. Cl.**
USPC **D13/110**

(58) **Field of Classification Search**

USPC D13/184, 110, 103, 107, 108, 118, 119,
D13/123, 138.1, 138.2, 139.1, 139.2, 199;
363/141, 142; 454/184; 361/679.54,
361/679.55, 679.56; D14/188, 240, 251,
D14/356, 432, 433, 434
CPC Y10T 307/625; H01R 13/447; H01R
13/6675; H01R 31/065; H02J 5/005;
H02M 1/10; H02B 1/40; H02B 1/46;
H02G 3/088; H02G 3/10

See application file for complete search history.

(56) **References Cited**

U.S. PATENT DOCUMENTS

D106,306 S * 10/1937 Lantz, Jr. D13/177
3,052,821 A * 9/1962 Scoville H05K 7/1461
174/535

OTHER PUBLICATIONS

ABB Catalog, Aug. 1, 2011, 79 pages.

Primary Examiner — Derrick Holland

Assistant Examiner — Jennifer O King

(74) *Attorney, Agent, or Firm* — Patterson Intellectual Property Law, P.C.

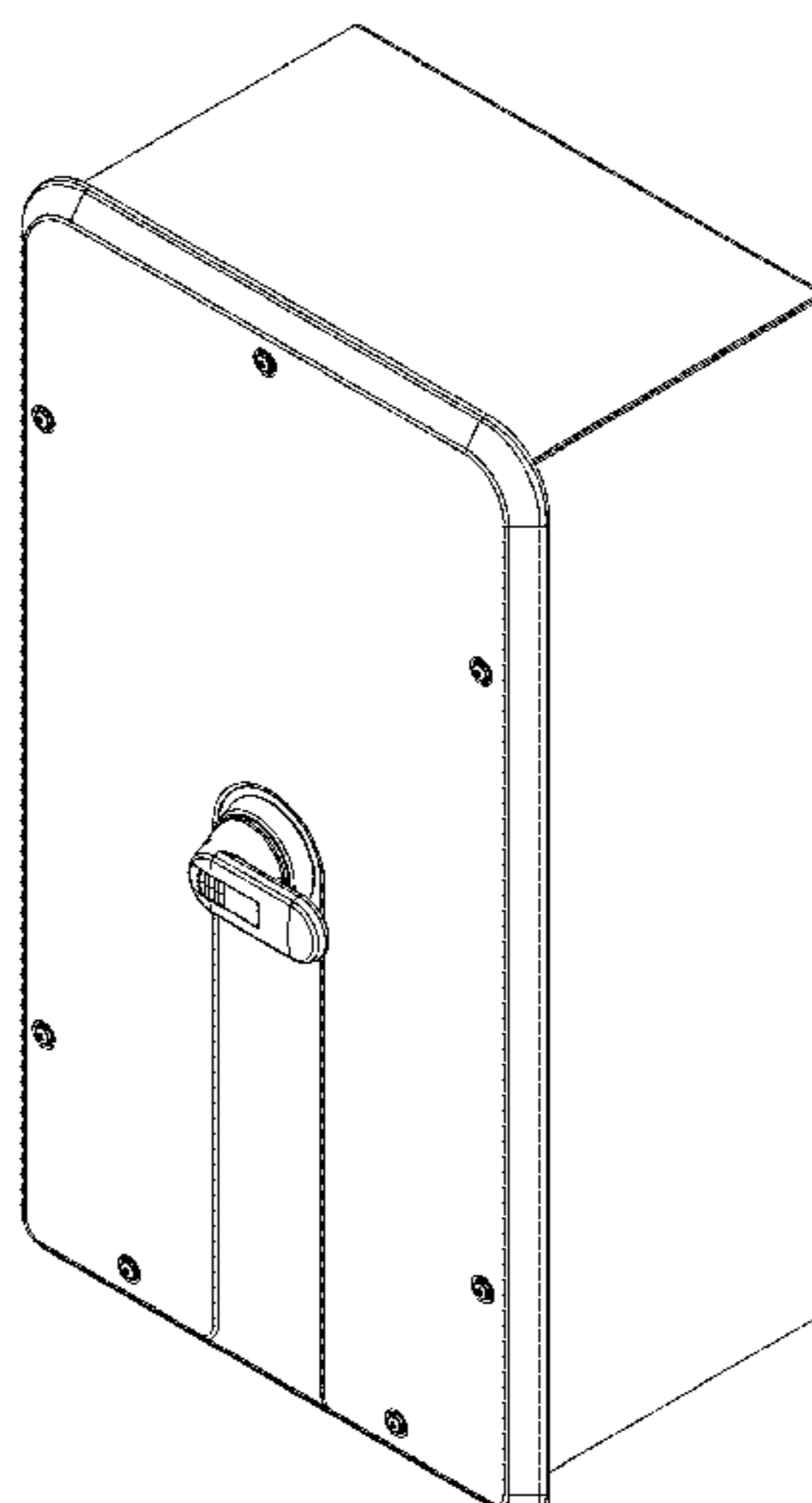
(57) **CLAIM**

What is claimed is the ornamental design for a modular inverter assembly case, as shown and described.

DESCRIPTION

FIG. 1 is an isometric view of a modular inverter assembly case according to the invention;
FIG. 2 is a front view thereof;
FIG. 3 is a rear view thereof;
FIG. 4 is a left side view thereof;
FIG. 5 is a right side view thereof;
FIG. 6 is a top view thereof; and,
FIG. 7 is a bottom view thereof.
The broken lines shown represent portions of the modular inverter assembly case that form no part of the claimed design.

1 Claim, 7 Drawing Sheets



(56)

References Cited

U.S. PATENT DOCUMENTS

5,435,641	A *	7/1995	Dumon Dupuis	H02B 1/40 109/59 R
5,633,926	A	5/1997	Cannetti	
D405,766	S	2/1999	Hartel et al.	
D417,439	S	12/1999	Ropponen et al.	
D425,493	S	5/2000	Cutright et al.	
D515,046	S	2/2006	Kaprelian	
6,999,305	B1	2/2006	Calcote	
D562,234	S	2/2008	Morihara et al.	
D594,410	S	6/2009	Mullen	
D634,720	S	3/2011	Cheng et al.	
D646,239	S	10/2011	Chandler, Jr. et al.	
D660,261	S *	5/2012	Huang	D13/184
D675,999	S *	2/2013	Puskar-Pasewicz	D13/177
8,520,381	B2	8/2013	Hobein et al.	
D702,198	S	4/2014	Gretz	
D705,727	S	5/2014	Hensel	
D709,449	S	7/2014	Oba et al.	
D730,305	S	5/2015	Brunn et al.	
D774,008	S *	12/2016	Michaelraj	D13/184
D781,271	S *	3/2017	Glover	D14/240
D789,899	S *	6/2017	von der Lippe	D13/184
D796,437	S *	9/2017	Banayan	D13/110
2012/0024558	A1 *	2/2012	Lin	H02G 3/088 174/50
2012/0195052	A1 *	8/2012	Puskar-Pasewicz	H02G 3/14 362/341

* cited by examiner

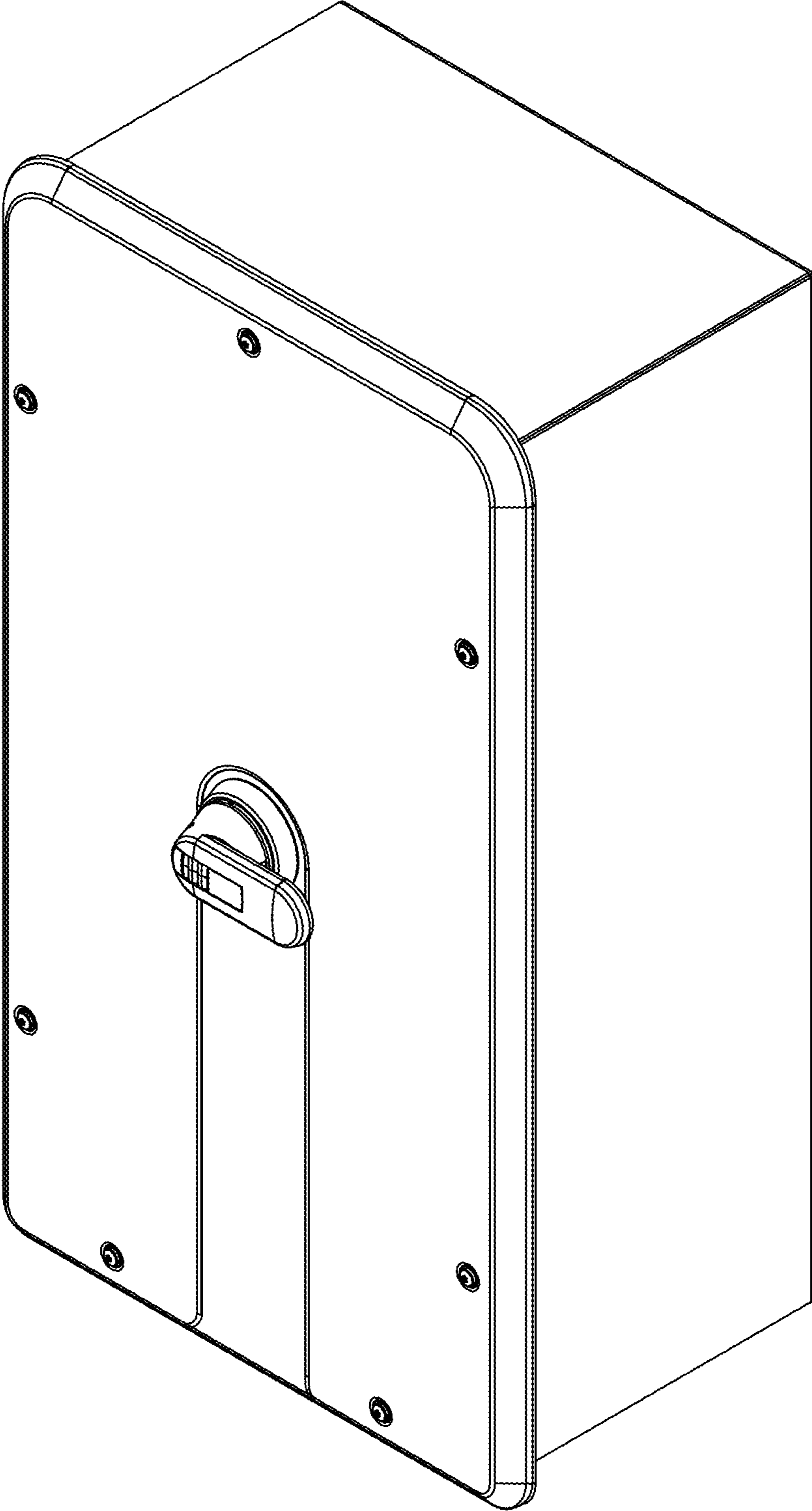


FIG. 1

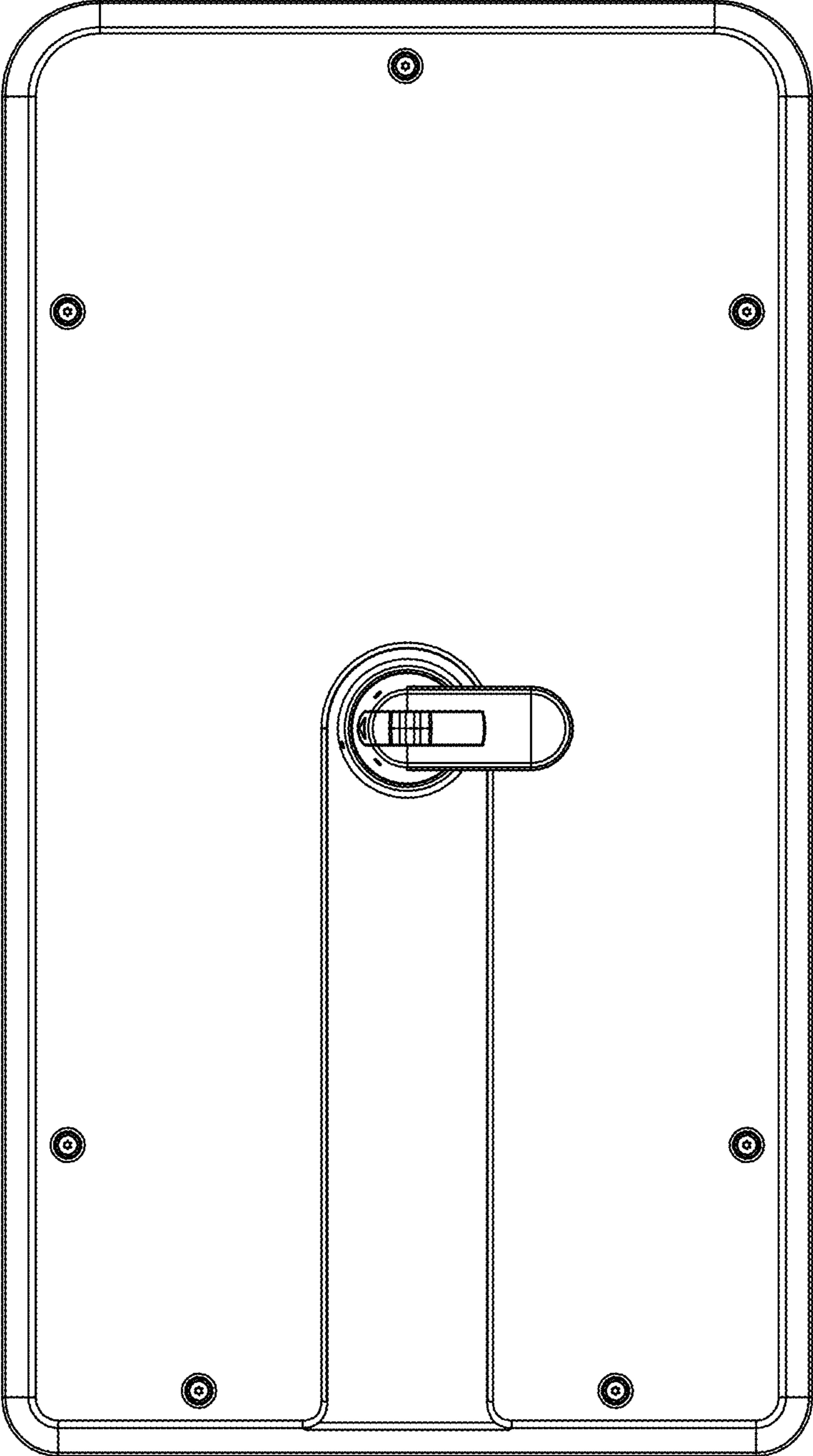


FIG. 2

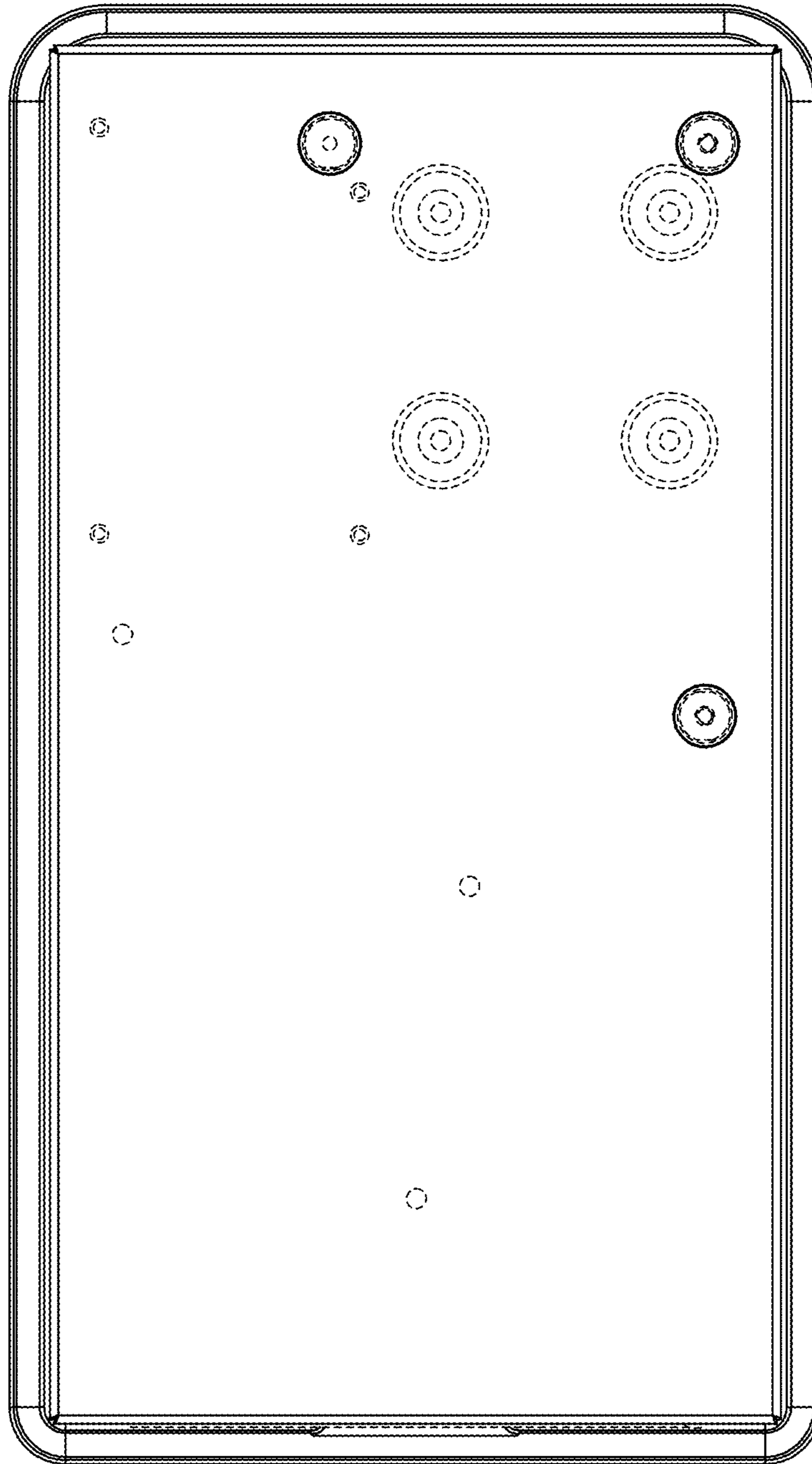


FIG. 3

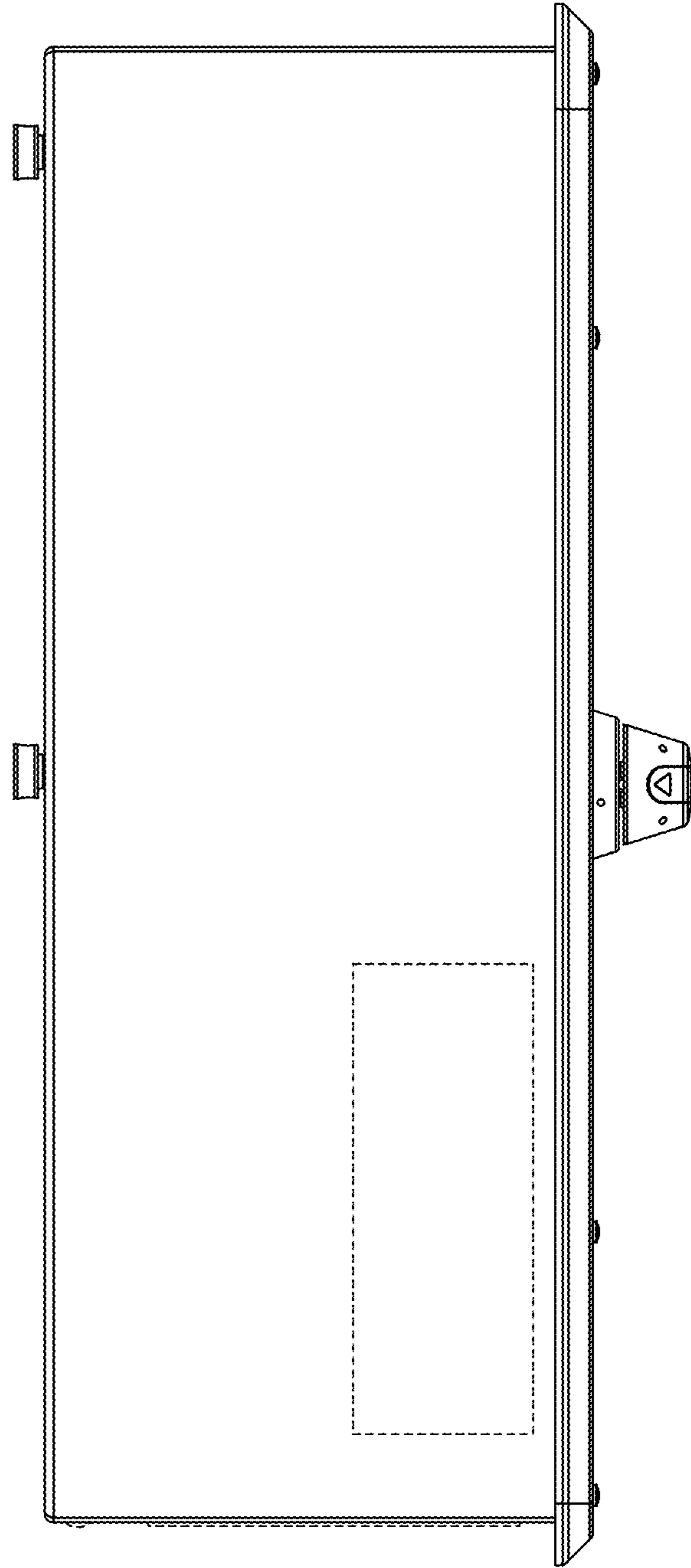


FIG. 4

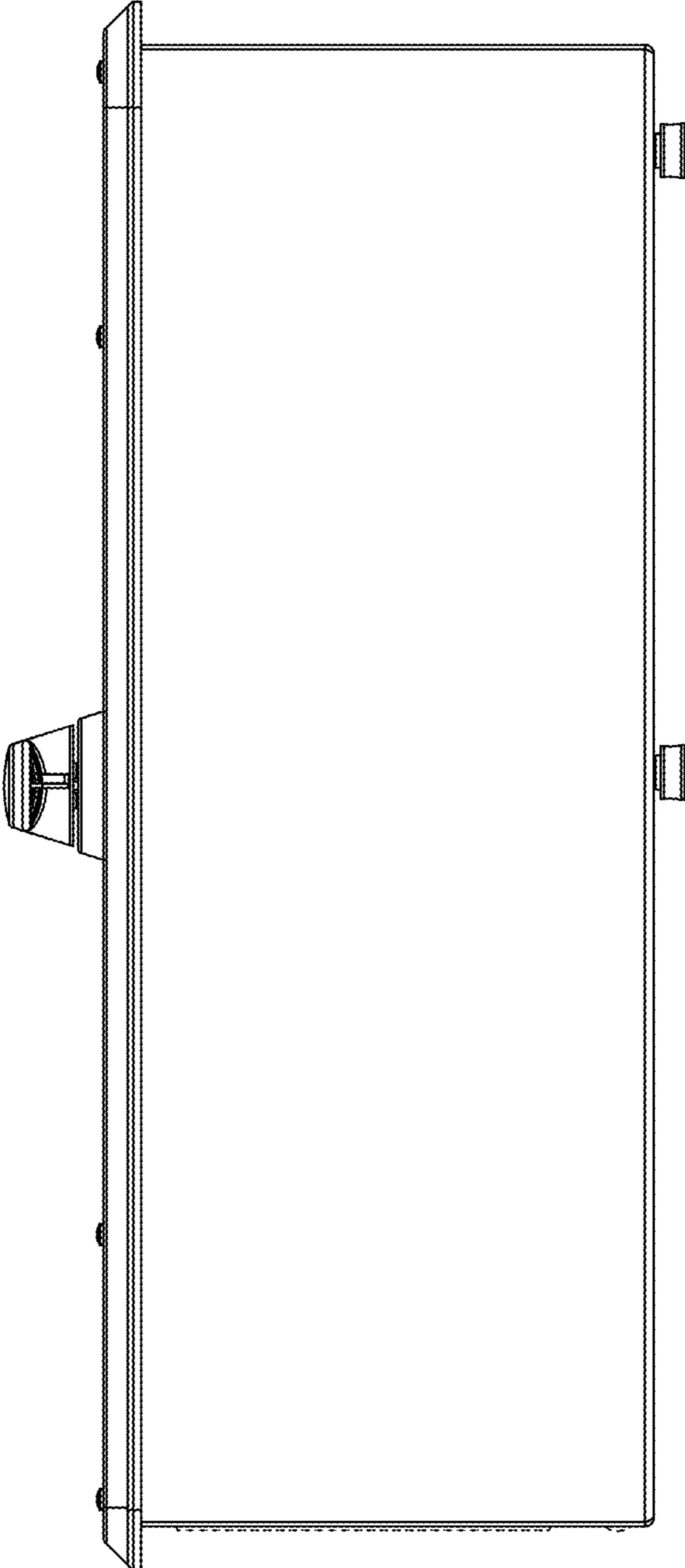


FIG. 5

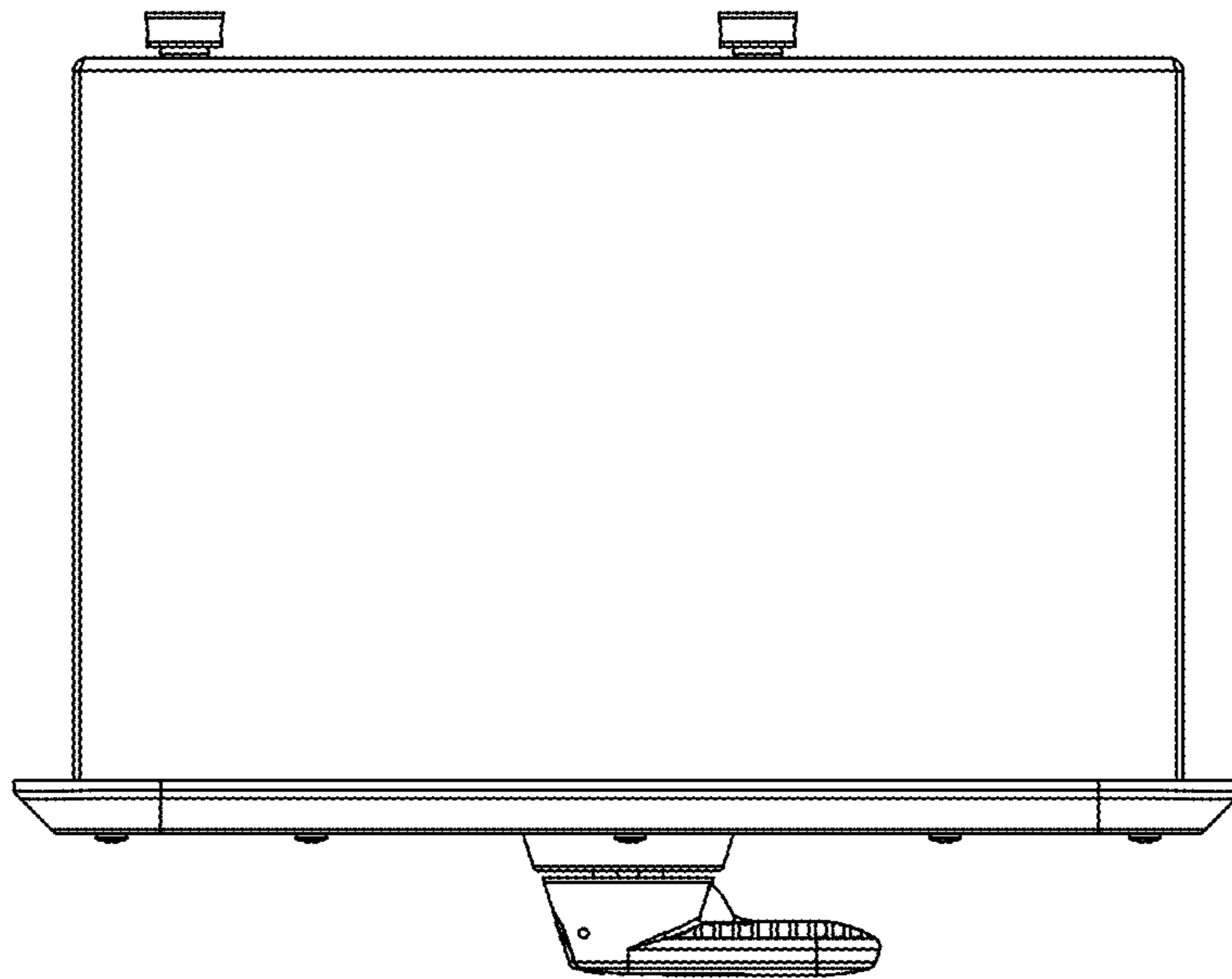


FIG. 6

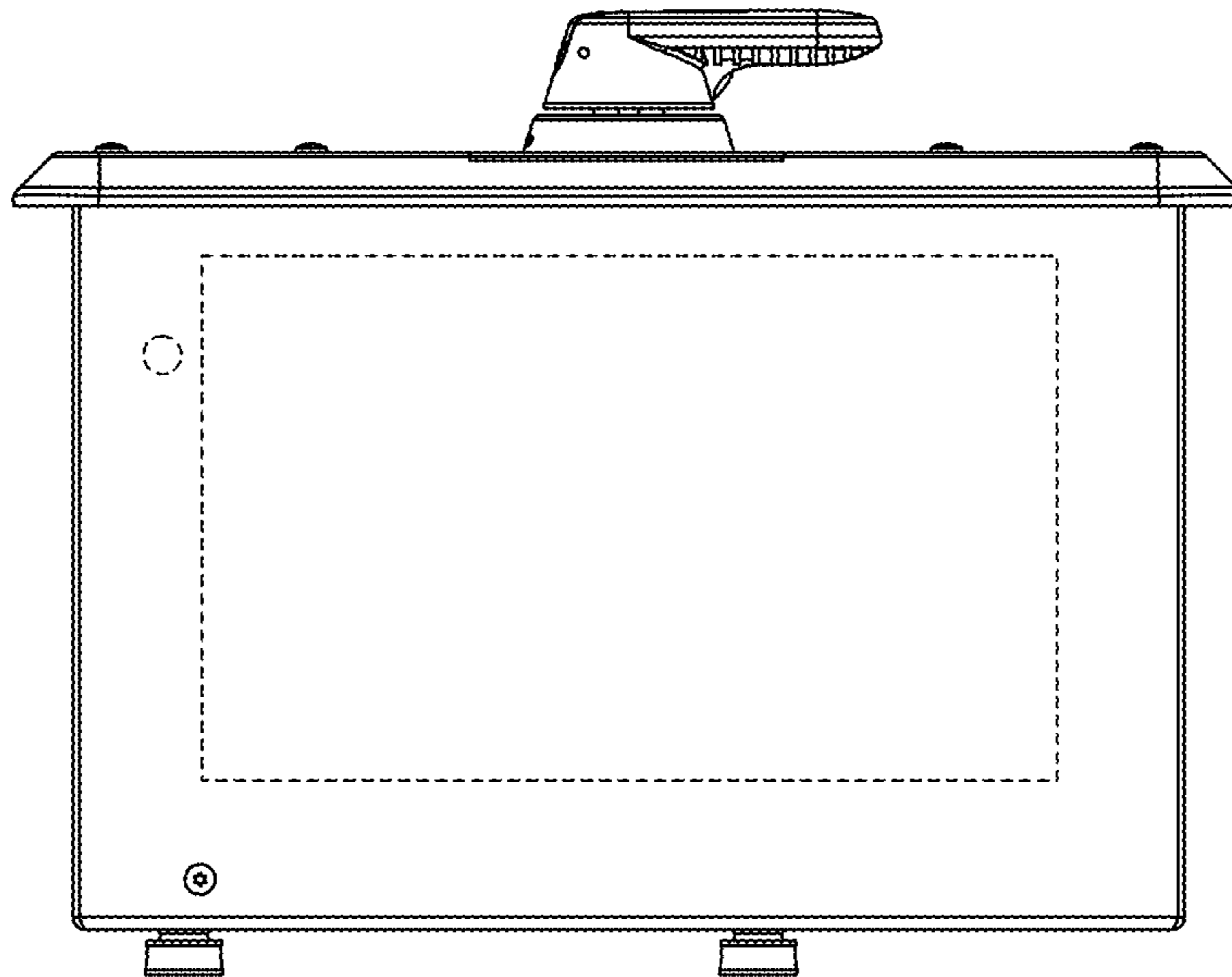


FIG. 7