



US00D831565S

(12) **United States Design Patent**
Mittleman et al.

(10) **Patent No.:** **US D831,565 S**
(45) **Date of Patent:** **** Oct. 23, 2018**

(54) **AC/DC ADAPTER WITH MOUNT**

(71) Applicant: **GOOGLE LLC**, Mountain View, CA (US)

(72) Inventors: **Adam Duckworth Mittleman**, Redwood City, CA (US); **Jason Evans Goulden**, Los Gatos, CA (US); **Nicholas Webb**, Menlo Park, CA (US); **Gregory Daniel Louis Germe**, Oakland, CA (US); **William Raeming Dong**, Palo Alto, CA (US); **Rochus Jacob**, San Francisco, CA (US)

(73) Assignee: **GOOGLE LLC**, Mountain View, CA (US)

(**) Term: **15 Years**

(21) Appl. No.: **29/570,417**

(22) Filed: **Jul. 7, 2016**

(51) **LOC (11) Cl.** **13-02**

(52) **U.S. Cl.**
USPC **D13/101**

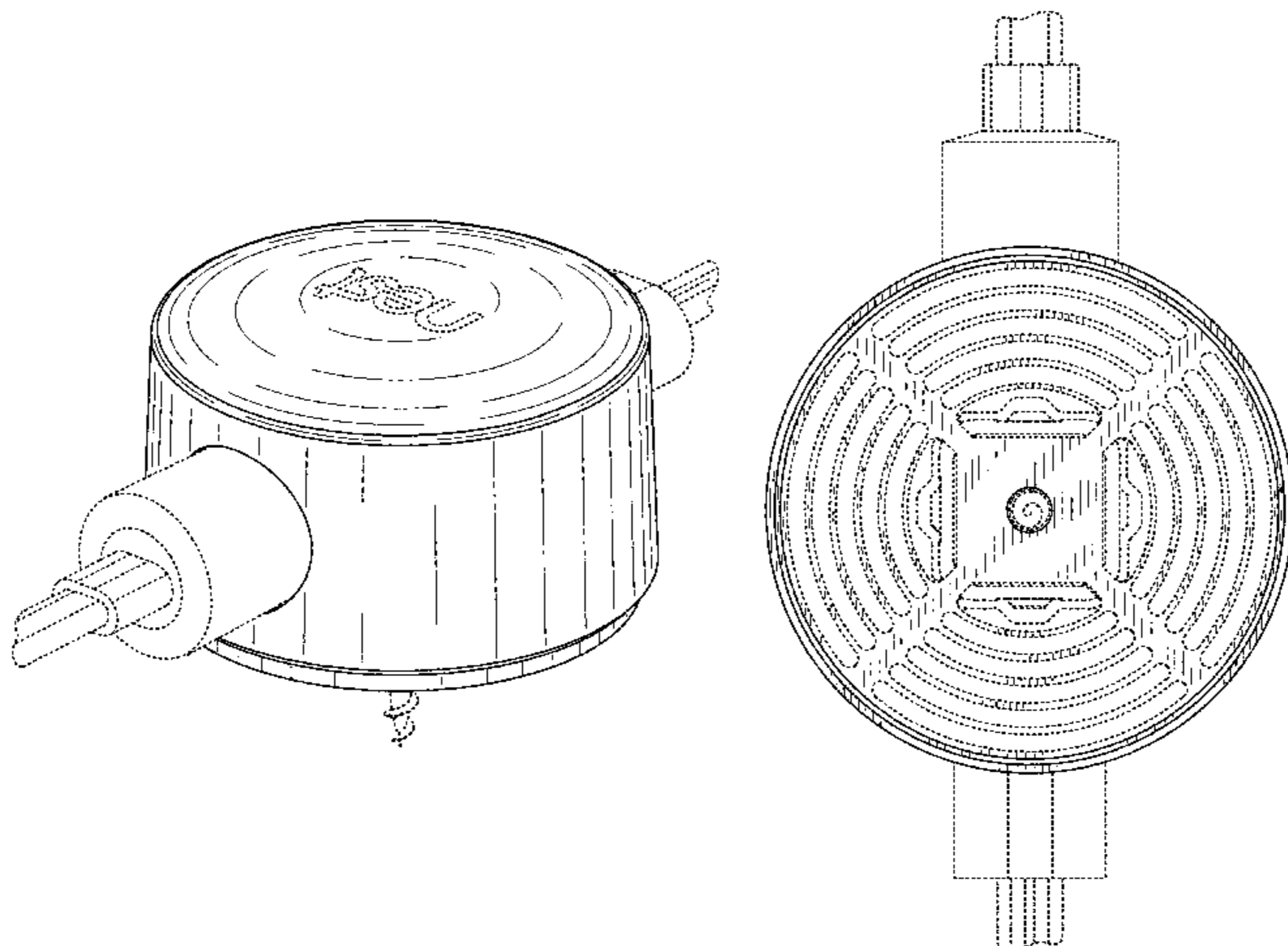
(58) **Field of Classification Search**
USPC D10/105, 106.2, 106.5, 106.6, 106.8, D10/114.8; D13/101, 102, 103, 106, 107, D13/108, 110, 116, 118, 123, 133, 134, D13/135, 146, 147, 148, 149, 150, 151, D13/153, 154, 155, 156, 159, 161, 173, D13/184, 199; D15/138; D21/464; D26/26, 85; D28/8
CPC H01R 12/718; H01R 12/88; H01R 12/89; H01R 13/5205; H01R 13/5221; H01R 13/5816; H01R 13/582; H01R 13/5825; H01R 13/5829; H01R 13/5833; H01R 13/6275; H01R 13/6589; H01R 13/743; H01R 13/745; H01R 23/727; H01R 31/065
See application file for complete search history.

4,309,096 A	1/1982	Sethi	
D268,672 S	4/1983	McPherson	
4,439,643 A	3/1984	Schweizer	
D296,013 S	5/1988	Layne et al.	
5,039,366 A	8/1991	Strattman	
1,934,911 A	11/1993	Campbell	
D349,714 S	8/1994	Hasegawa	
D353,904 S	12/1994	Swanson	
5,439,387 A	8/1995	Hayashi	
5,441,224 A	8/1995	Ludwig	
5,482,234 A	1/1996	Lyon	
D390,482 S	2/1998	Pasquarette	
D399,584 S	10/1998	Giese et al.	
6,007,136 A	12/1999	Zittwitz	
D427,696 S	7/2000	Scott et al.	
D431,307 S	9/2000	Zelina, Jr. et al.	
D433,994 S	11/2000	Jobs et al.	
6,176,142 B1	1/2001	Ericson	
6,196,915 B1	3/2001	Schiedegger et al.	
D440,330 S	4/2001	Scott et al.	
6,234,277 B1	5/2001	Kaczmarek	
6,644,617 B2	11/2003	Pitlor	
6,732,983 B1	5/2004	Blake et al.	
D506,565 S *	6/2005	Yurich	D26/85
D509,842 S	9/2005	Ou	
D528,576 S	9/2006	Chung et al.	
7,162,790 B1	1/2007	Daniels	
D537,784 S	3/2007	Suckle et al.	
D553,659 S	10/2007	Kweon	
D554,171 S	10/2007	Deng	
D593,071 S	5/2009	Laituri et al.	
7,641,161 B2	1/2010	Bauer	
D623,594 S	9/2010	Akana et al.	
D640,721 S	6/2011	Satine	
D644,259 S	8/2011	Barley et al.	
D659,282 S	5/2012	Richmond	
D659,497 S	5/2012	Blazevic	
D662,122 S	6/2012	Goodwin et al.	
D670,426 S	11/2012	Bouroullec et al.	
D691,587 S	10/2013	Ferber et al.	
D697,481 S	1/2014	Akana et al.	
D700,075 S *	2/2014	Bould	D10/49
D708,378 S	6/2014	Recker et al.	
D720,755 S	1/2015	Nokuo	
D729,773 S *	5/2015	Salojarvi	D14/218
9,024,581 B2	5/2015	McGinley	
D737,762 S *	9/2015	Aumiller	D13/108
D742,573 S	11/2015	Kern et al.	
D742,884 S	11/2015	Seflic et al.	
D743,468 S	11/2015	Ribeiro et al.	
D743,954 S *	11/2015	Chuang	D13/168
9,190,767 B2	11/2015	Makimura	
D747,524 S	1/2016	Jacq et al.	

(56) **References Cited**

U.S. PATENT DOCUMENTS

D234,218 S 1/1975 Donato
 3,906,592 A 9/1975 Sakasegawa et al.



D750,980	S *	3/2016	Takach	D10/50
9,300,078	B2	3/2016	Liu		
D754,233	S	4/2016	Du et al.		
D755,184	S	5/2016	Uranga et al.		
D757,587	S *	5/2016	Li	D10/106.6
9,353,487	B1	5/2016	Szekely		
D761,343	S	7/2016	Schmidt et al.		
9,388,934	B1 *	7/2016	Kilgore	H04N 5/2251
D764,320	S *	8/2016	Li	D10/50
9,437,962	B2	9/2016	Liu		
9,451,727	B2	9/2016	Tolbert et al.		
D768,604	S	10/2016	Flowers et al.		
D769,246	S	10/2016	Mielnik et al.		
9,515,414	B1	12/2016	Liu		
D776,659	S	1/2017	Hou		
D776,850	S	1/2017	Hodgson		
D777,672	S	1/2017	Park et al.		
9,556,641	B2	1/2017	Milanowski		
D778,973	S	2/2017	Lee et al.		
D783,609	S *	4/2017	Mikelson	D14/356
D784,263	S	4/2017	Xu		
D785,632	S	5/2017	VanDuyn et al.		
D785,693	S	5/2017	Kim		
D786,875	S	5/2017	Kaminaga		
D788,112	S	5/2017	Liao		
D788,708	S	6/2017	Vo et al.		
D788,777	S	6/2017	Bargetzi		
D789,371	S	6/2017	Iwamoto et al.		
D790,620	S	6/2017	Lee et al.		
D791,740	S	7/2017	Fuller		
D794,028	S	8/2017	Lin		
D795,941	S	8/2017	Dimitriadis et al.		
D796,513	S	9/2017	Feldstein et al.		
9,771,985	B2	9/2017	Peterson et al.		
D808,392	S	1/2018	Bo		
D810,086	S	2/2018	Xie		
D810,087	S	2/2018	Xie		
D811,463	S	2/2018	Kim		
D813,289	S	3/2018	Laffon de Mazieres et al.		
D814,544	S	4/2018	Moon et al.		
2004/0251392	A1	12/2004	Franks, Jr.		
2007/0184708	A1	8/2007	Murakami		
2008/0048079	A1	2/2008	Albritton et al.		
2008/0218092	A1	9/2008	Chang et al.		
2009/0061694	A1	3/2009	Kawasaki		
2009/0088010	A1	4/2009	Smith		
2010/0124834	A1	5/2010	De Chazal et al.		
2011/0053394	A1	3/2011	Hood, III		
2011/0181002	A1	7/2011	Fujita et al.		
2012/0162929	A1	6/2012	Huang		
2013/0023161	A9	1/2013	Youssefi-Shams et al.		
2013/0130530	A1	5/2013	Casses et al.		
2013/0203277	A1	8/2013	Gaubert		
2013/0292477	A1	11/2013	Hennick et al.		
2013/0302023	A1	11/2013	Chamberlayne		
2014/0073161	A1	3/2014	Winningham et al.		
2014/0099811	A1	4/2014	Chiu		
2014/0268578	A1	9/2014	Dolci et al.		
2015/0251605	A1	9/2015	Uken et al.		
2015/0281650	A1	10/2015	Mohan		
2015/0316837	A1	11/2015	Maltese		
2016/0182116	A1	6/2016	Mase		

FOREIGN PATENT DOCUMENTS

CN	303729172	6/2016
EM	003361435-001	9/2016

OTHER PUBLICATIONS

Dropcam Pro, posted at Youtube.com, posted on Oct. 10, 2013, [online], [site visited Jun. 16, 2017]. Available from Internet, <<https://www.youtube.com/watch?v=NokAzHXsCQQ>>.*

Nest Cam Indoor security camera, posted at Amazon.com, posted on Jun. 17, 2015, [online], [site visited Jun. 16, 2017]. Available from Internet, <<https://www.amazon.com/Nest-Cam-Indoor-security-camera/dp/B00WBJGUA2>>.*

Simplicam review, posted at Connectedly.com, posted on Nov. 26, 2014, [online], [site visited Jun. 16, 2017]. Available from Internet, <<https://www.connectedly.com/simplicam-review>>.*

Review of the googo camera HD, posted at Youtube.com, posted on Jun. 9, 2013, [online], [site visited Jun. 16, 2017]. Available from Internet, <<https://www.youtube.com/watch?v=Rlc8Q6oDI9k>>.*

Google, Office Action, CN 201630316676.1, Nov. 25, 2016, 2 pgs.

Google, Office Action, CN 201630316605.1, Nov. 24, 2016, 1 pg.

Google, EU Design Registration, 003303460-0001/0002, Oct. 14, 2016, 14 pgs.

Google, EU Design Registration, 003302330-0001/0002, Oct. 14, 2016, 16 pgs.

Google, EU Design Registration, 003304310-0001/0008, Oct. 20, 2016, 37 pgs.

DropCapsule Pro for Dropcam Pro, announced Jun. 7, 2015 [online], [site visited Sep. 29, 2017], Available from Internet, URL: <<https://web.archive.org/web/20150607115212/http://www.connectedcrib.com/dropcapsule-pro-dropcam-pro/>>.

DIY Project Dropcam Pro outdoor enclosure, announced Oct. 20, 2014 [online], [site visited Sep. 29, 2017], Available from Internet, URL: <https://the-gadgeteer.com/2014/10/20/diy-project-dropcam-pro-outdoor-enclosure/>.

Nest Learning Thermostat posted by Detriot Borg posted date Feb. 10, 2012, © YouTube, [online], [site visited Sep. 18, 2017]. Available from Internet, <https://www.youtube.com/watch?v=KrgcOL4oLzc>.

Nest Learning Review posted by Lindsay Turrentine posted date Apr. 23, 2013, © CNET, [online], [site visited Sep. 18, 2017]. Available from Internet, <https://www.cnet.com/products/nest-learning-thermostat/review/>.

HMW posted by Heres My World posted date Oct. 28, 2016, © Amazon, [online], [site visited Sep. 18, 2017]. Available from Internet, https://www.amazon.com/Pyramid-Bluetooth-Rechargeable-Hands-Free-Speakerphone/dp/B01JJ5KT3E/ref=sr_1_19?ie=UTF8&4d=1505758713&sr=8-19&keywords=bluetooth%20Bpuck&th=1.

Google, Letters Patent Design Registration, JP 1588675, Sep. 29, 2017, 3 pgs.

* cited by examiner

Primary Examiner — Mary Ann Calabrese
Assistant Examiner — Catherine Ho
 (74) *Attorney, Agent, or Firm* — Morgan, Lewis & Bockius LLP

(57) **CLAIM**

An AC/DC adapter with mount, as shown and described.

DESCRIPTION

FIG. 1 is a first perspective view of our new design of an AC/DC adapter with mount;
 FIG. 2 is a second perspective view thereof;
 FIG. 3 is a top view thereof;
 FIG. 4 is a bottom view thereof;
 FIG. 5 is a first side view thereof; and,
 FIG. 6 is a second side view thereof.
 The broken lines in the above described FIGS. 1-6 depict environmental matter and form no part of the claimed design.

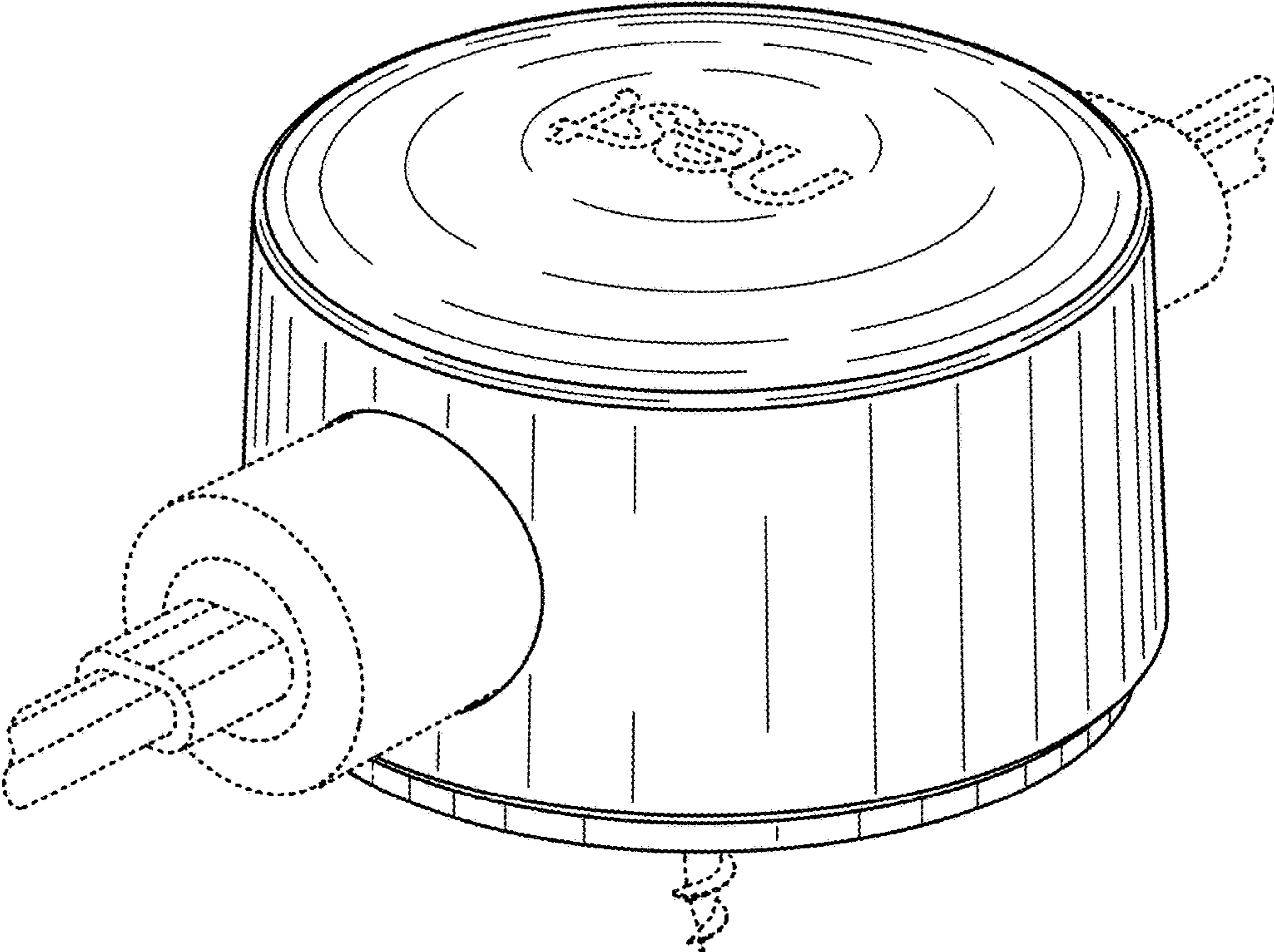


FIG. 1

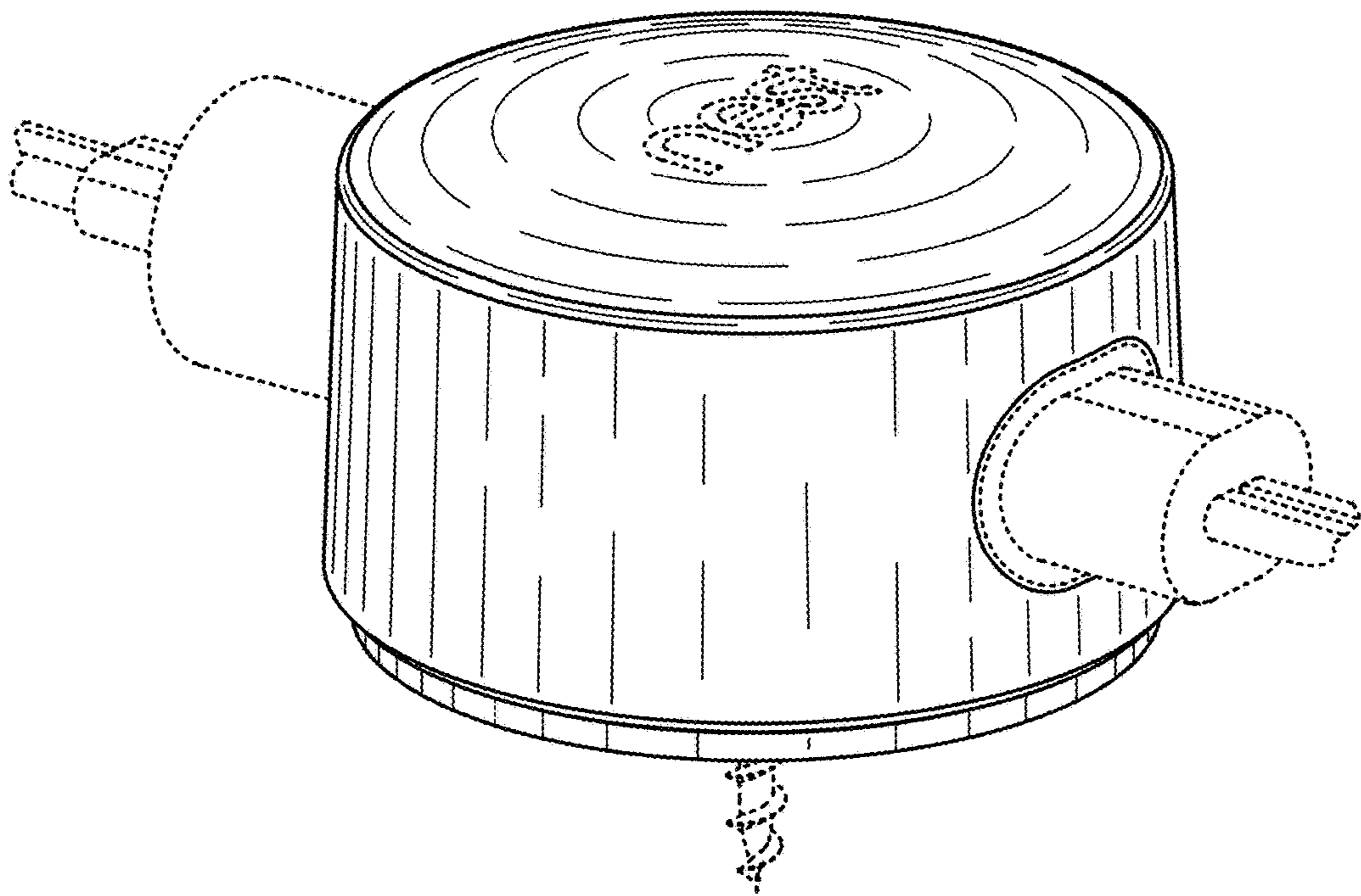


FIG. 2



FIG. 3

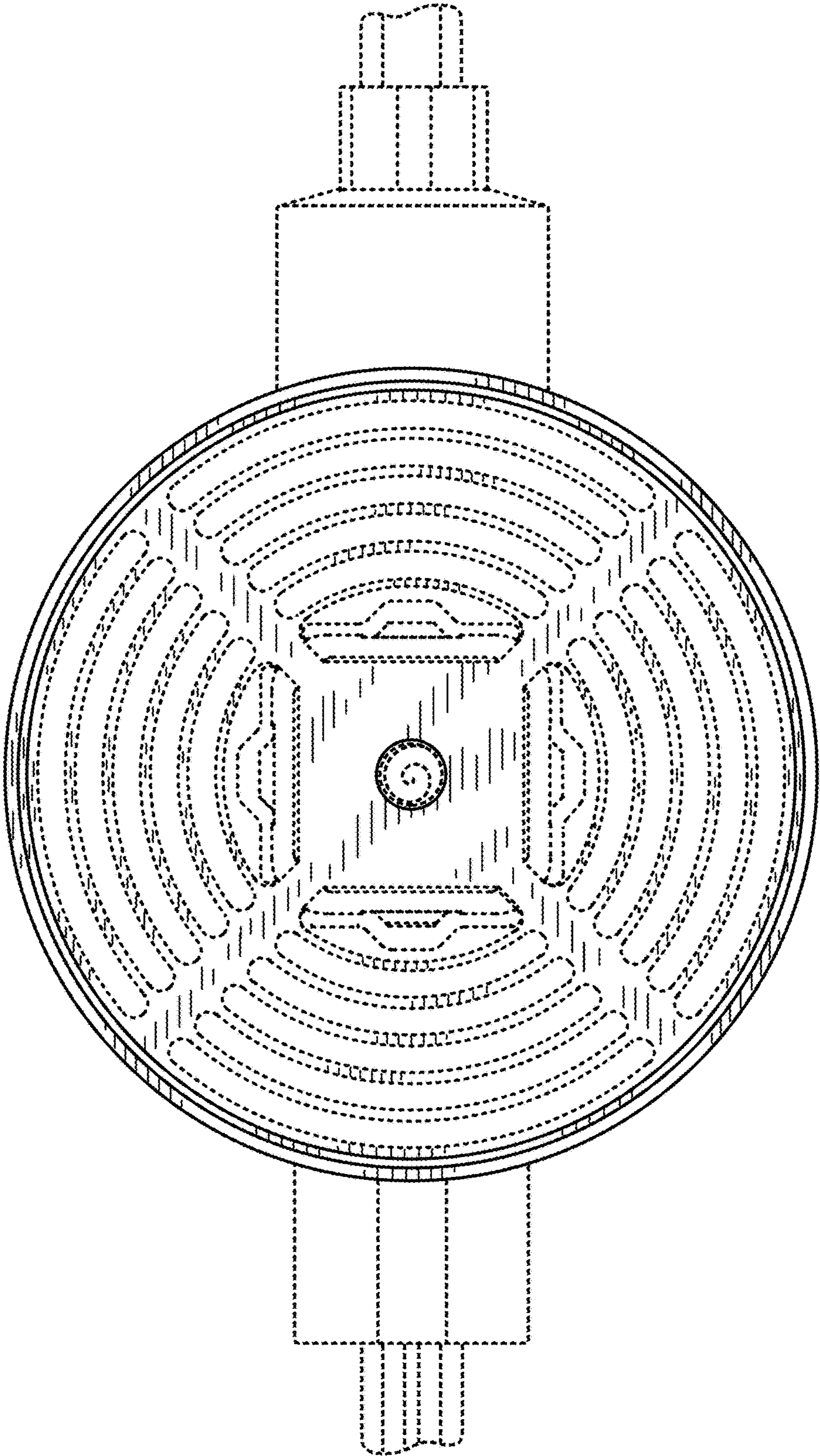


FIG. 4

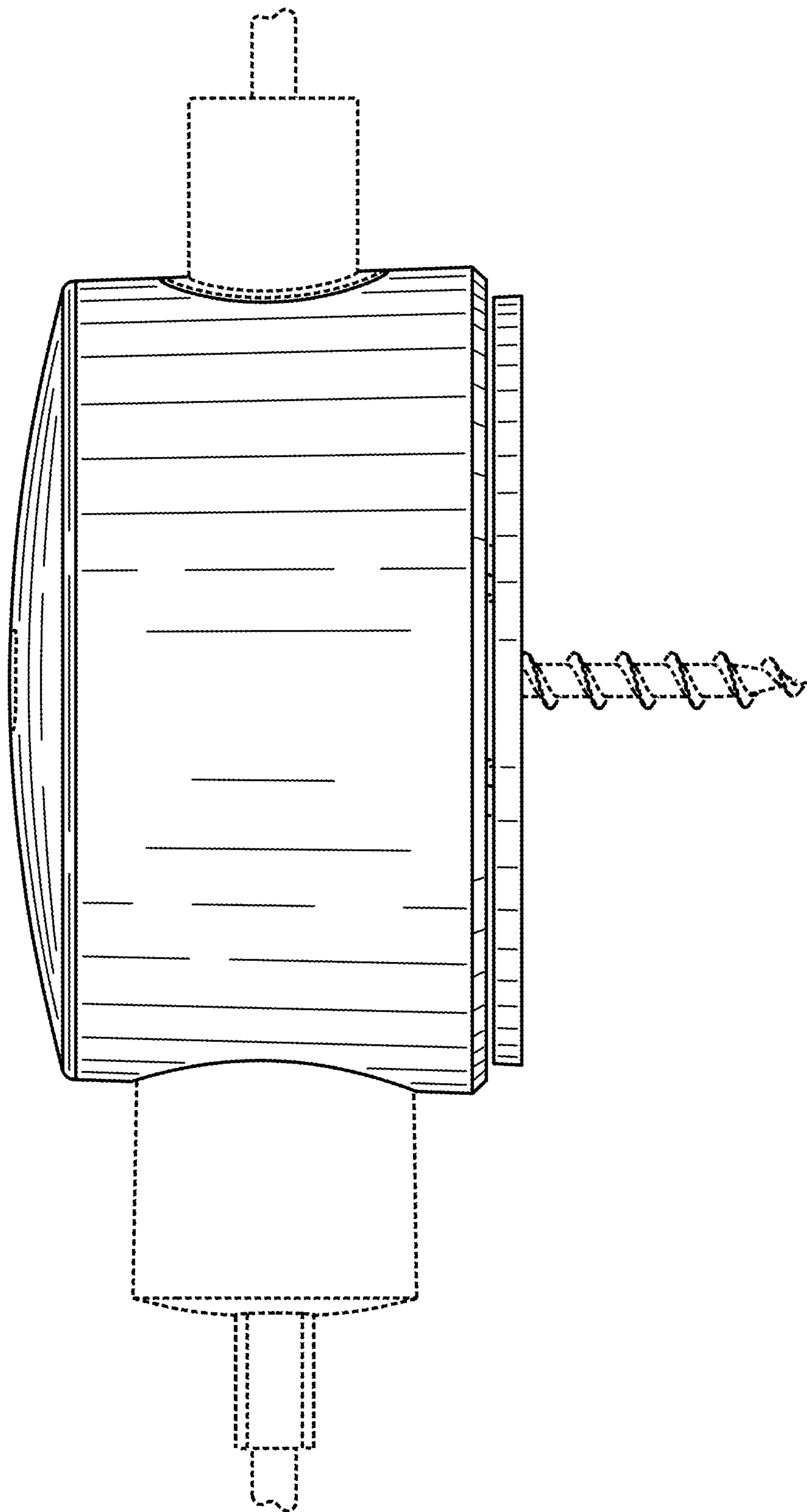


FIG. 5

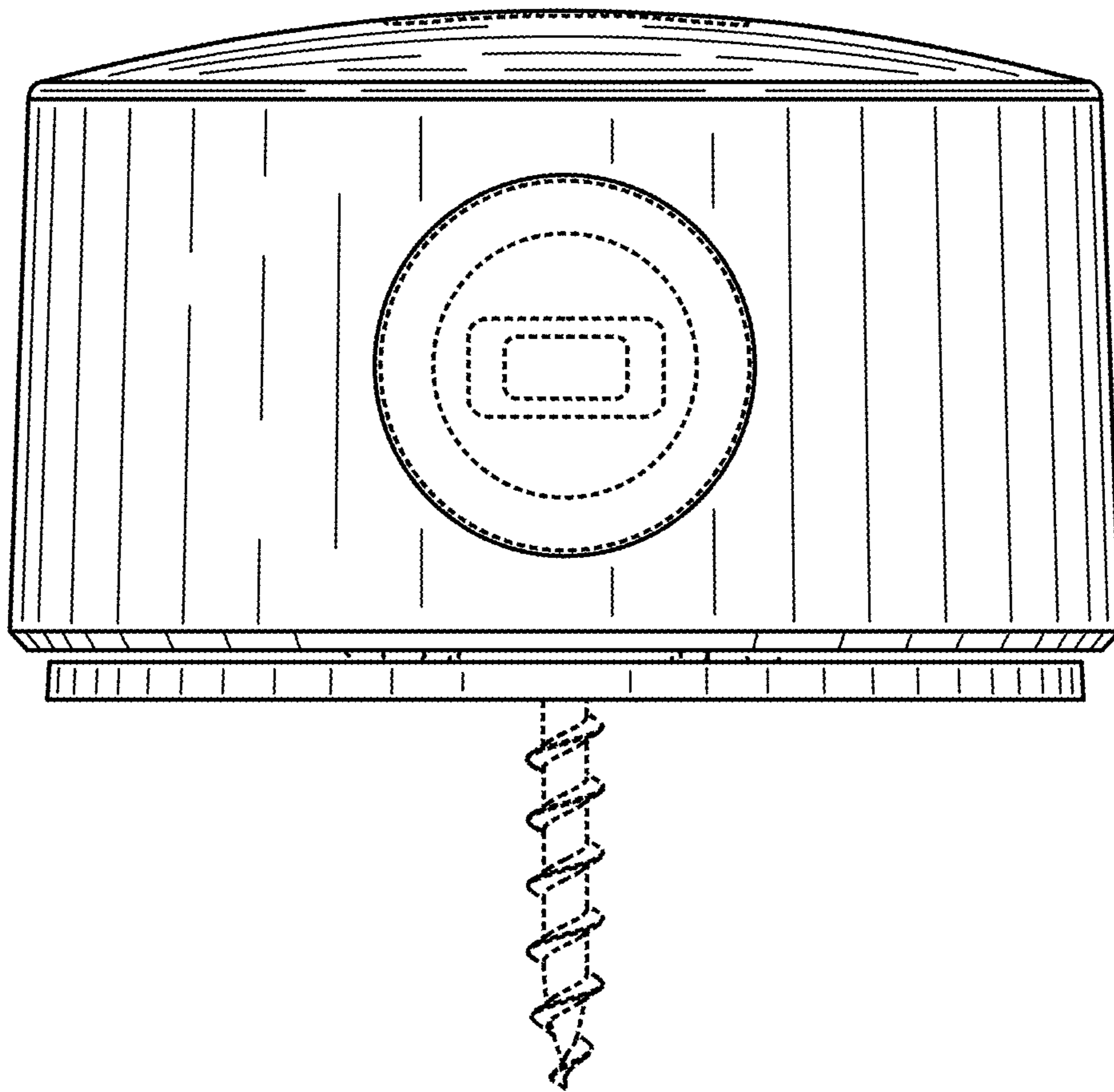


FIG. 6