



US00D831564S

(12) **United States Design Patent** (10) **Patent No.:** **US D831,564 S**
Shavers et al. (45) **Date of Patent:** **** Oct. 23, 2018**

(54) **TIRE TREAD**

(71) Applicant: **American Kenda Rubber Industrial Co., Ltd.**, Reynoldsburg, OH (US)

(72) Inventors: **Daniel Christian Shavers**, Canton, OH (US); **Liu Jing (Carol) Ying**, Changhua County (TW)

(73) Assignee: **American Kenda Rubber Industrial Co., Ltd.**, Reynoldsburg, OH (US)

(**) Term: **15 Years**

(21) Appl. No.: **29/582,832**

(22) Filed: **Oct. 31, 2016**

(51) **LOC (11) Cl.** **12-15**

(52) **U.S. Cl.**
USPC **D12/590**

(58) **Field of Classification Search**
USPC D12/515, 516, 517, 518, 519, 521, 522,
D12/523, 531, 532
CPC B60C 11/0304; B60C 11/0306; B60C
11/0309; B60C 11/0311
See application file for complete search history.

(56) **References Cited**

U.S. PATENT DOCUMENTS

D551,156 S	*	9/2007	Shinohara	D12/521
D606,002 S	*	12/2009	Yamakawa	D12/519
D769,792 S	*	10/2016	Kimura	D12/521
D789,279 S	*	6/2017	Hayashi	D12/523
D798,804 S	*	10/2017	Wang	D12/523

* cited by examiner

Primary Examiner — Robert M. Spear

(74) *Attorney, Agent, or Firm* — Ice Miller LLP

(57) **CLAIM**

The ornamental design for a tire tread, as shown and described.

DESCRIPTION

FIG. 1 is a perspective view of a tire tread showing our new design taken from a first side thereof, it being understood that the pattern repeats uniformly throughout the radial circumference of the tread;

FIG. 2 is a detailed sectioned view of the perspective view of FIG. 1;

FIG. 3 is a perspective view of a tire tread showing our new design taken from a first side thereof, it being understood that the pattern repeats uniformly throughout the radial circumference of the tread;

FIG. 4 is a detailed sectioned view of the perspective view of FIG. 3;

FIG. 5 is a first side elevational view thereof;

FIG. 6 is a detailed sectioned view of the first side elevational view of FIG. 5.

FIG. 7 is a second side elevational view thereof;

FIG. 8 is a detailed sectioned view of the second side elevational view of FIG. 7.

FIG. 9 is a top plan view thereof, it being understood that the pattern repeats uniformly throughout the radial circumference of the tread;

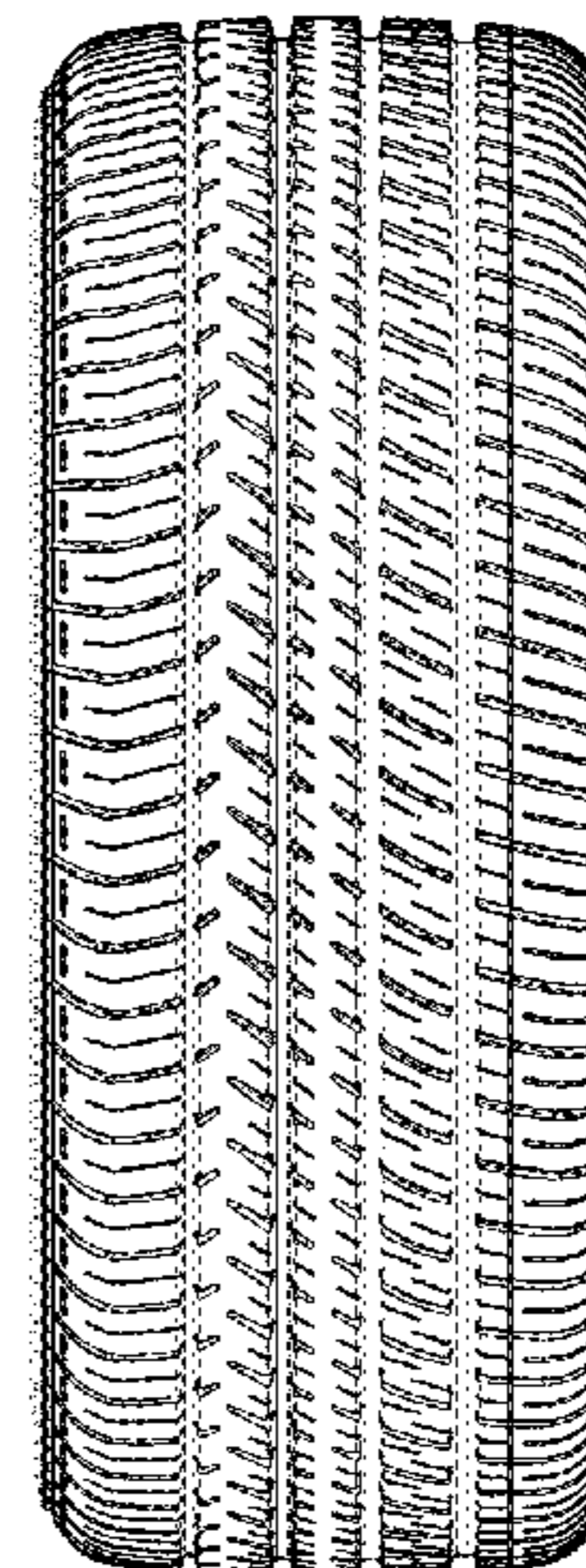
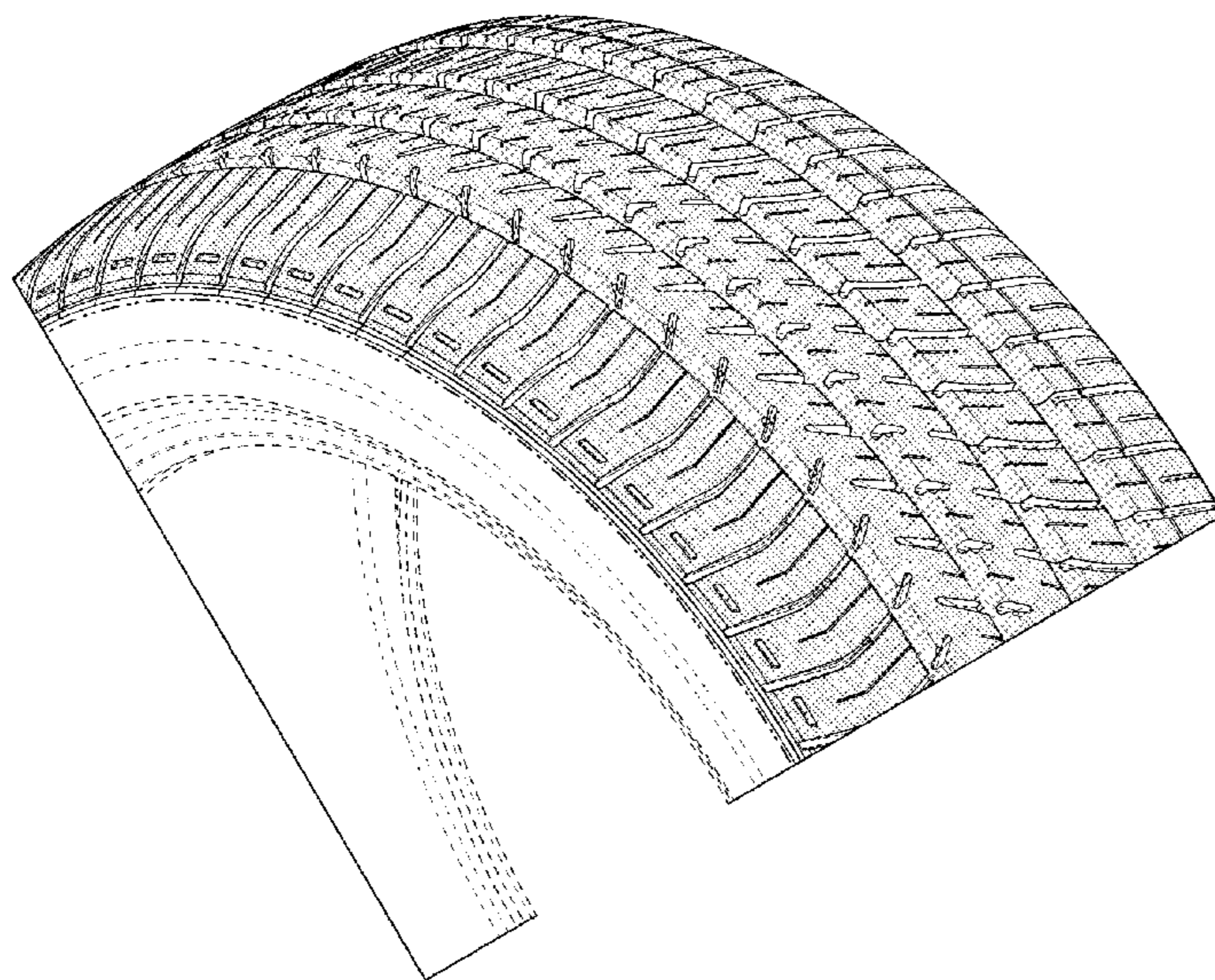
FIG. 10 is a detailed sectioned view of the first side of the top plan view of FIG. 9.

FIG. 11 is a detailed sectioned view of the first side of the top plan view of FIG. 9; and,

FIG. 12 is a detailed sectioned view of the second side of the top plan view of FIG. 9.

In the Figures, the evenly spaced broken lines represent unclaimed subject matter, while the dash-dot-dot-dash style broken lines represent boundaries of the claim.

1 Claim, 12 Drawing Sheets



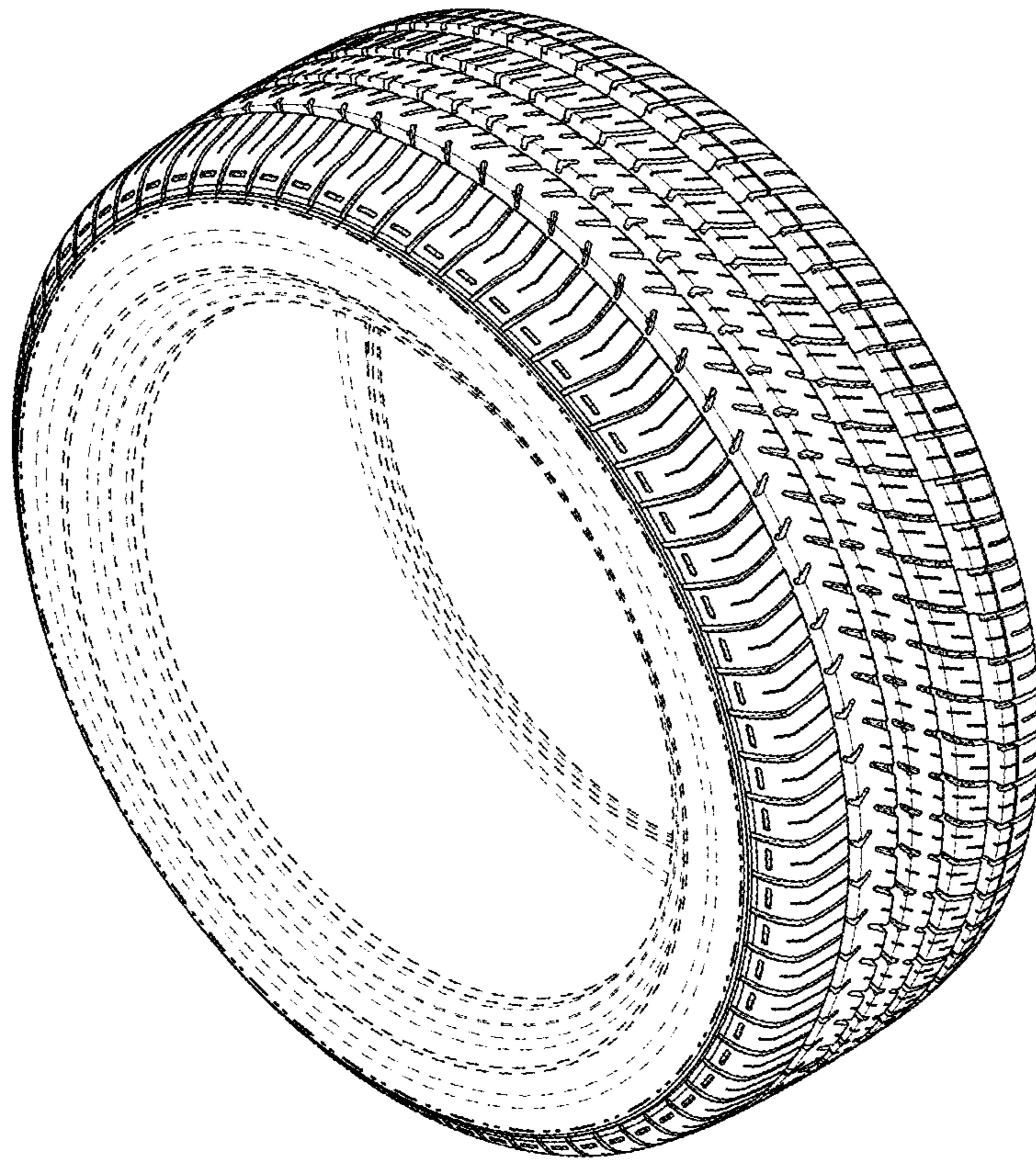


FIG. 1

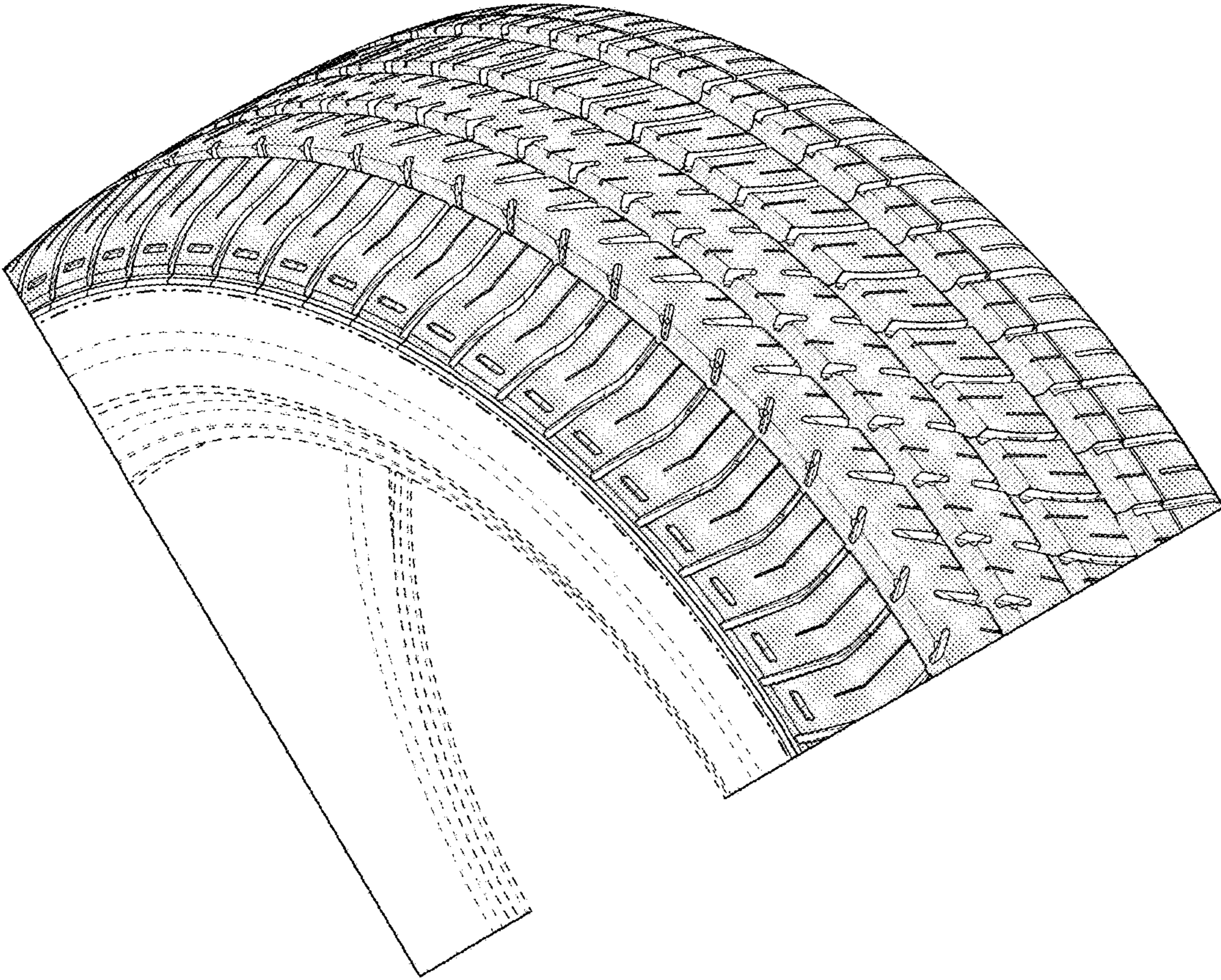


FIG. 2

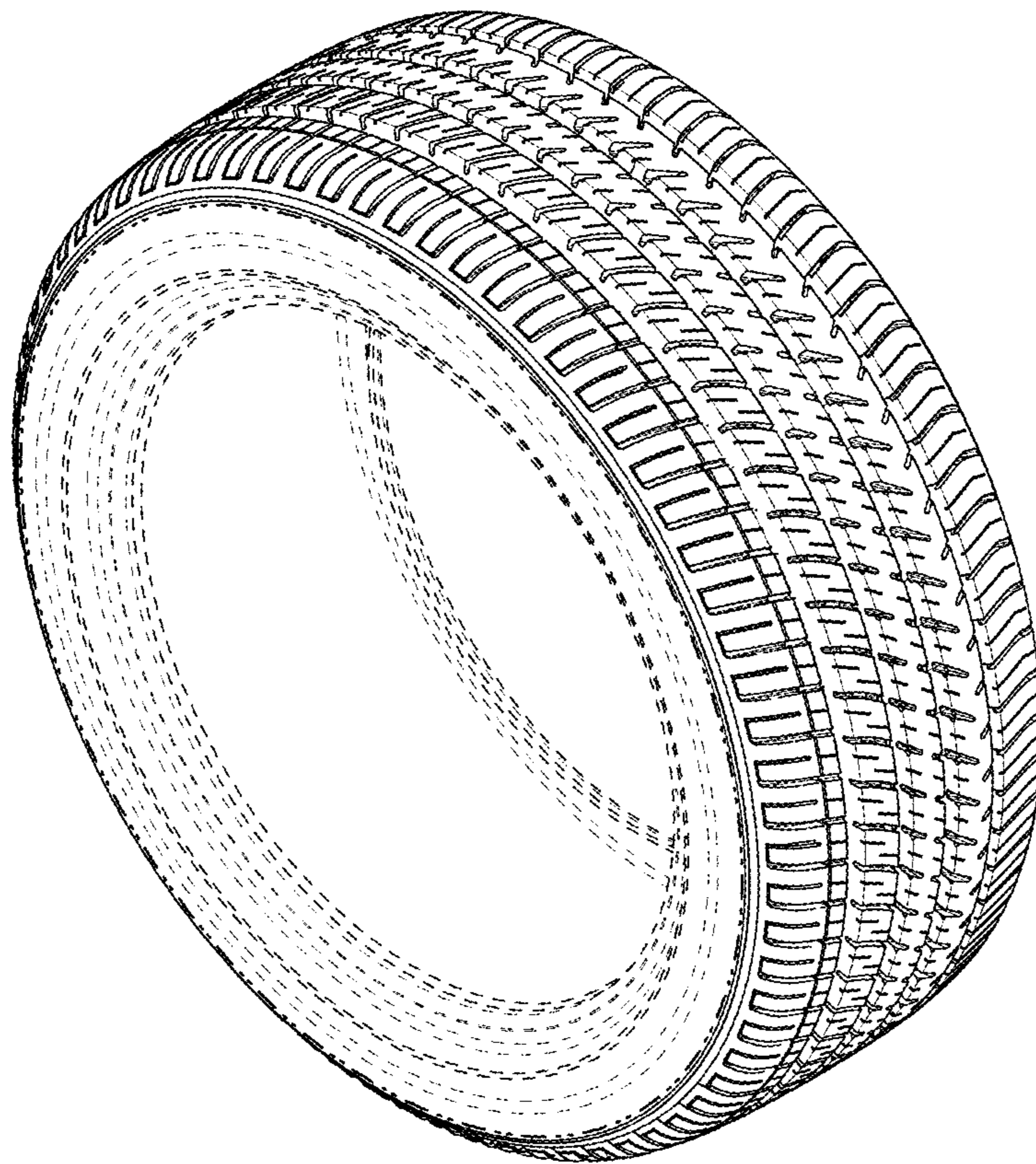


FIG. 3

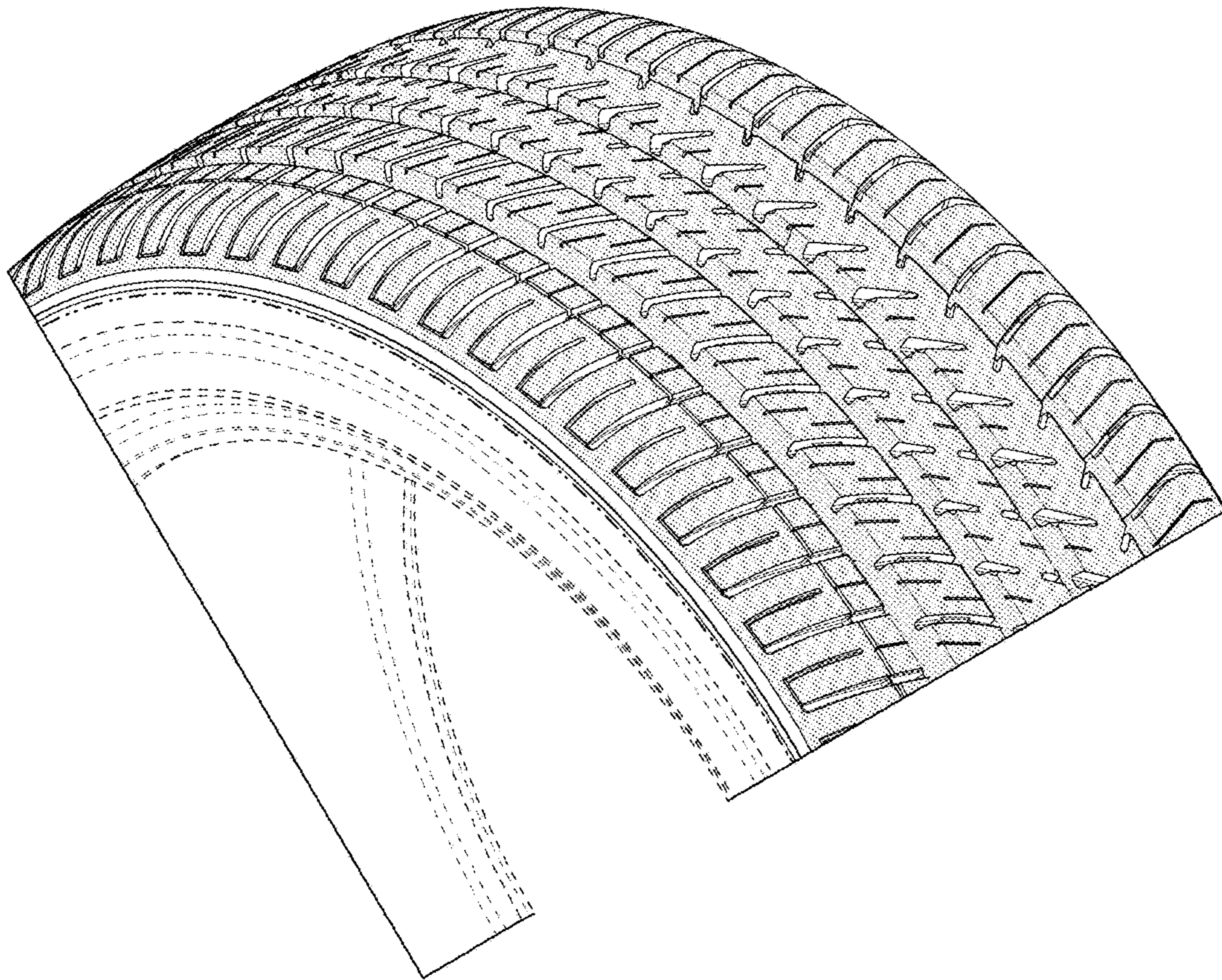


FIG. 4

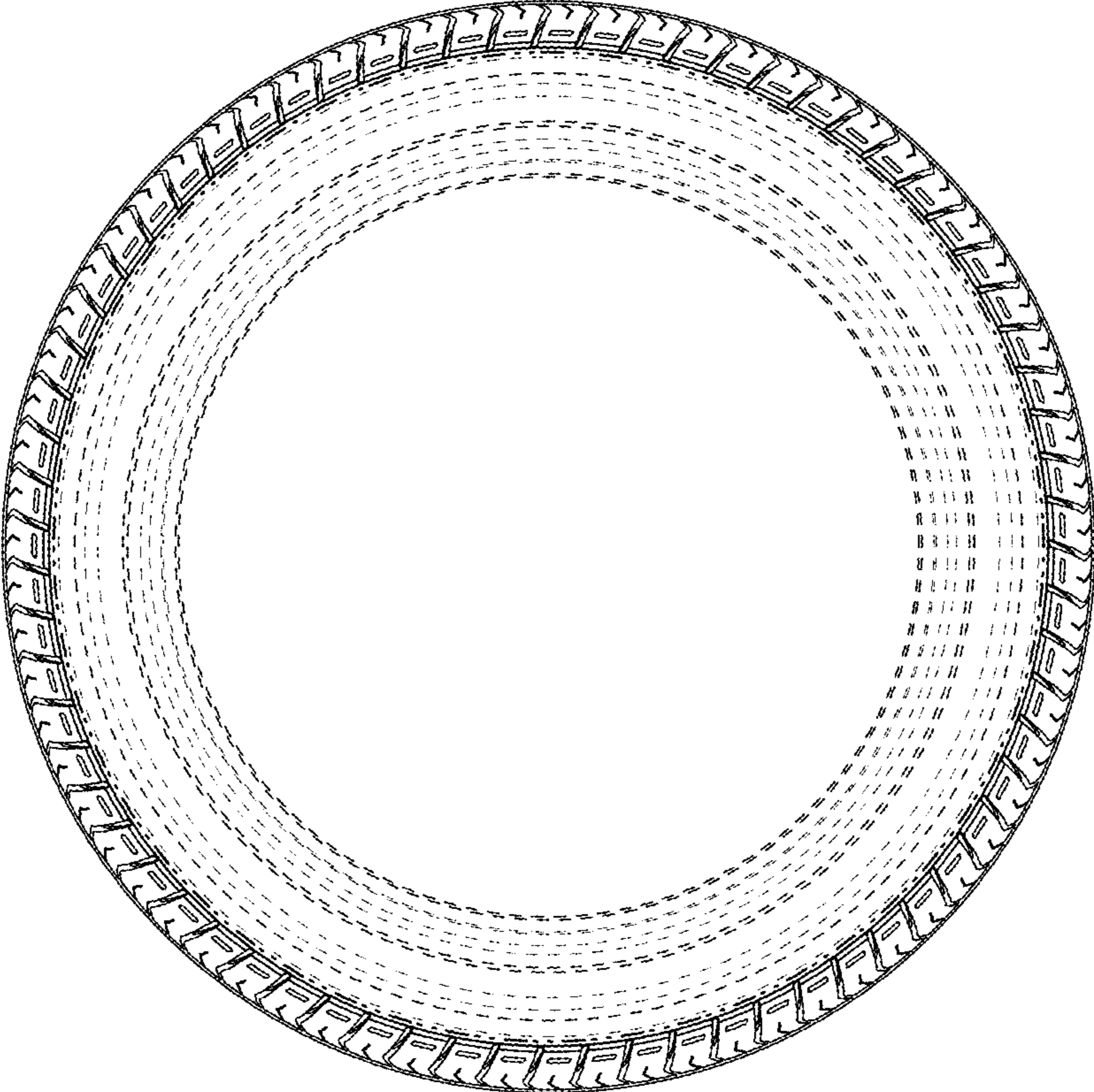


FIG. 5

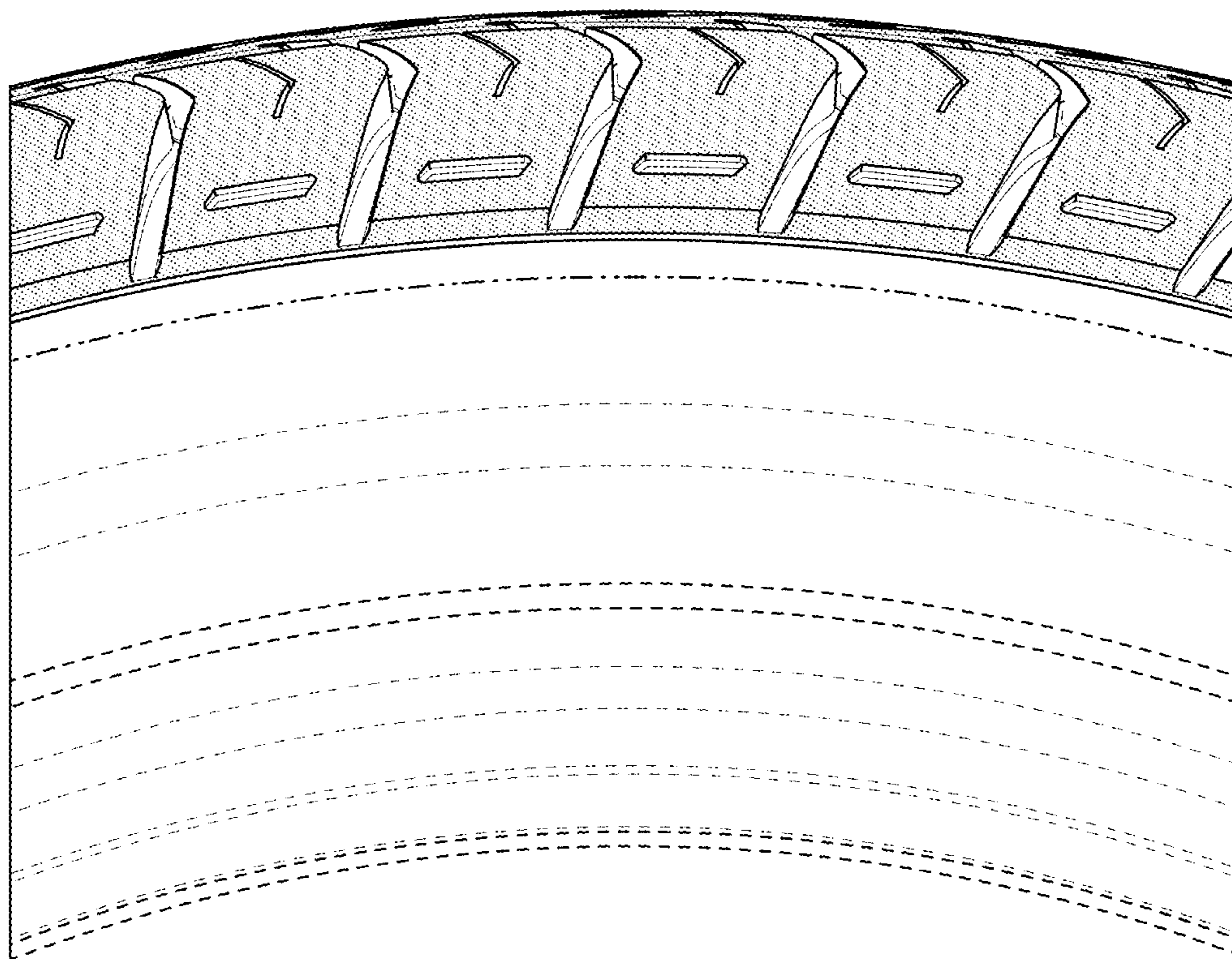


FIG. 6

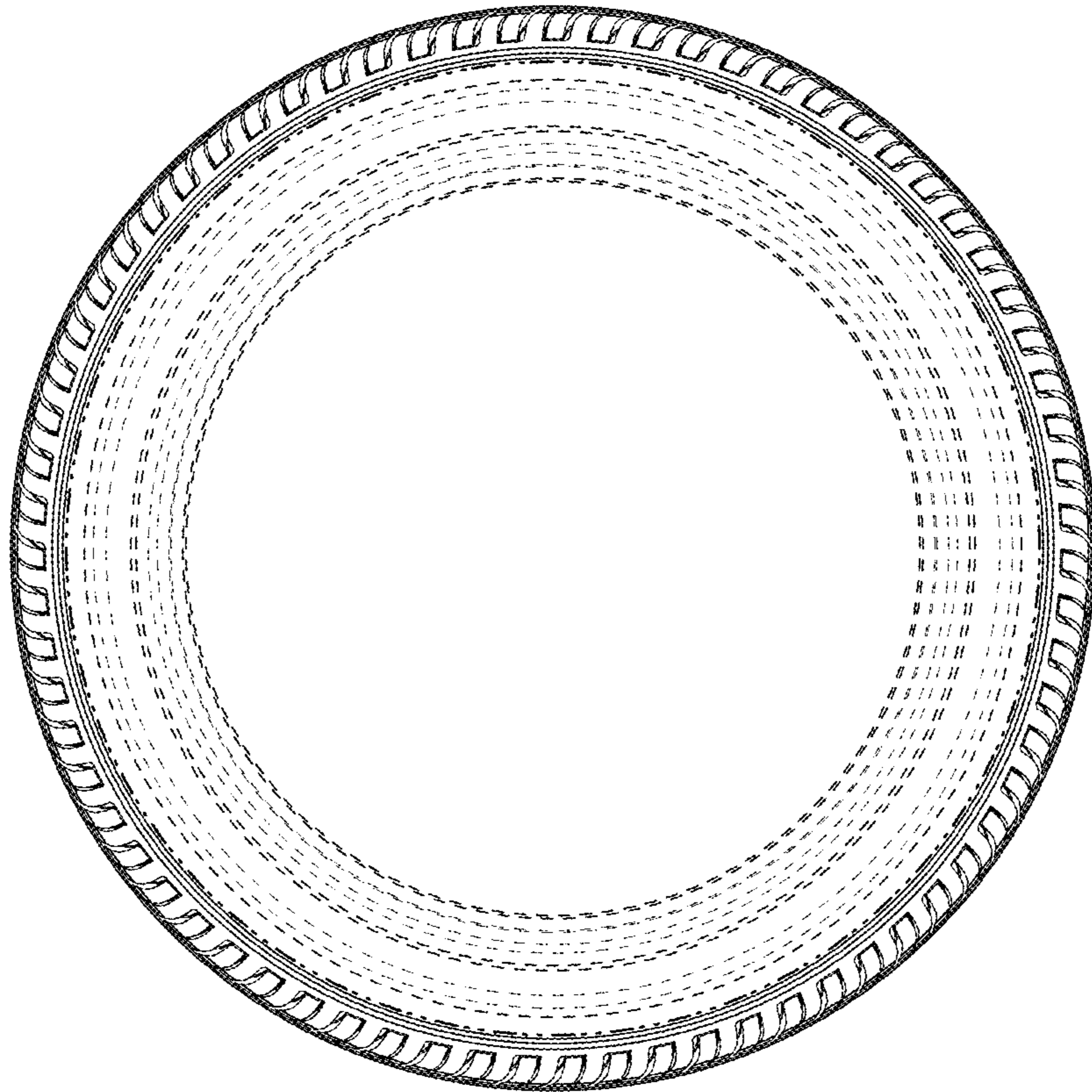


FIG. 7

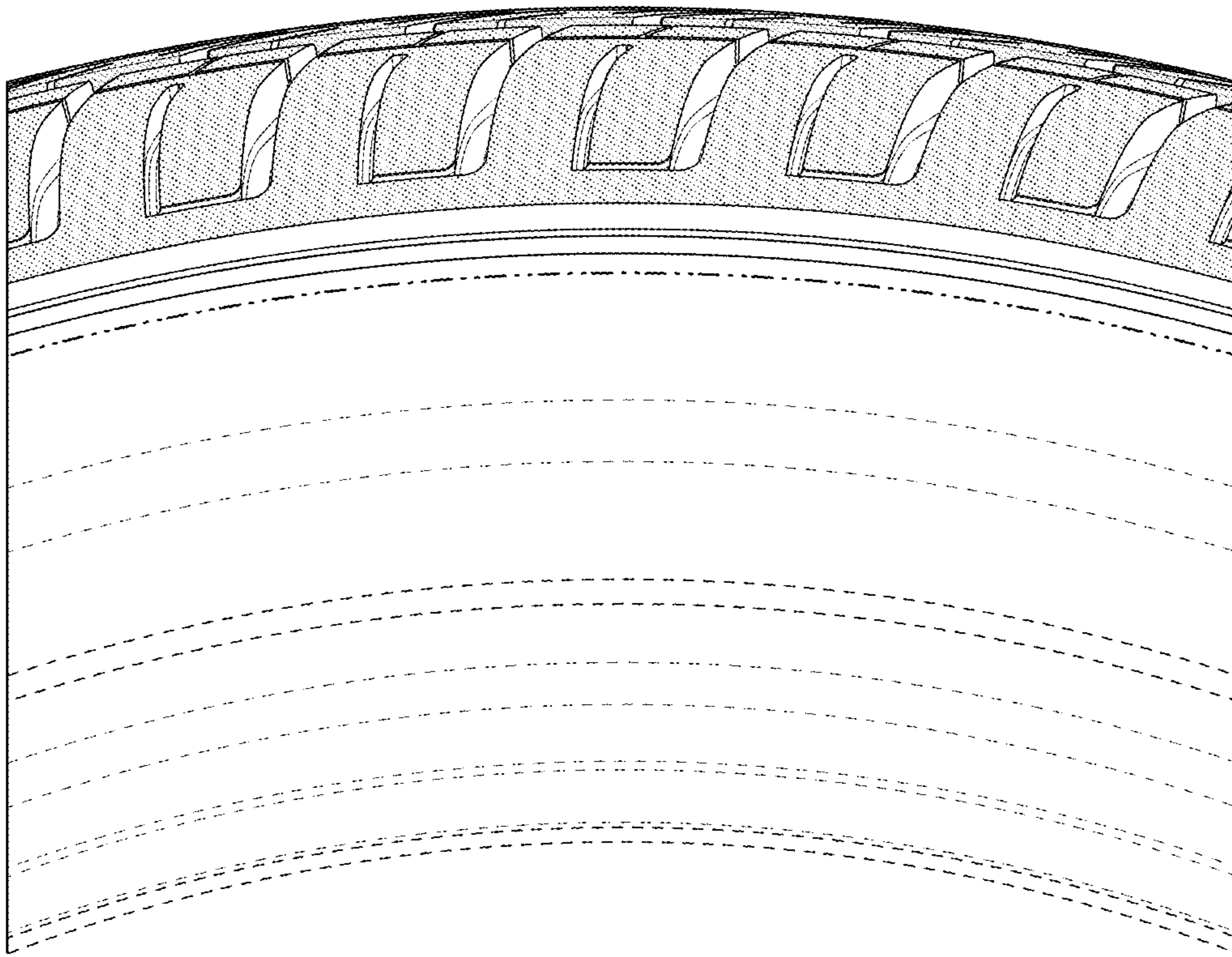


FIG. 8

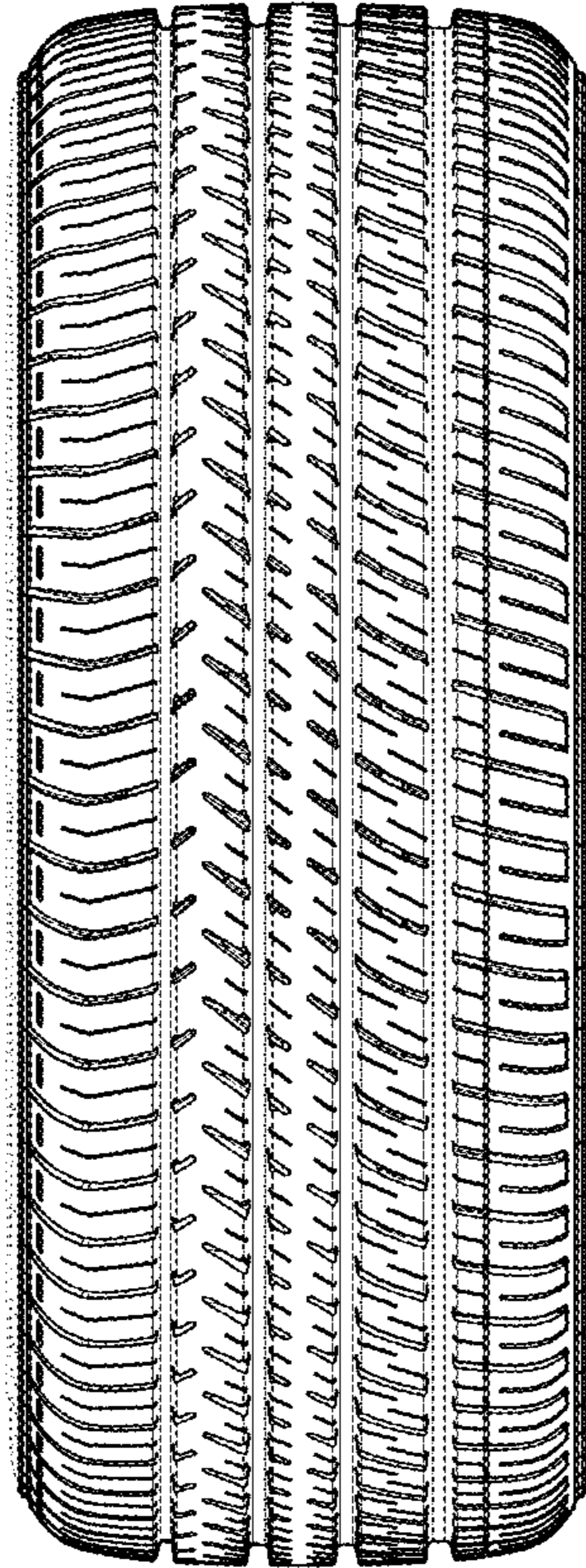


FIG. 9

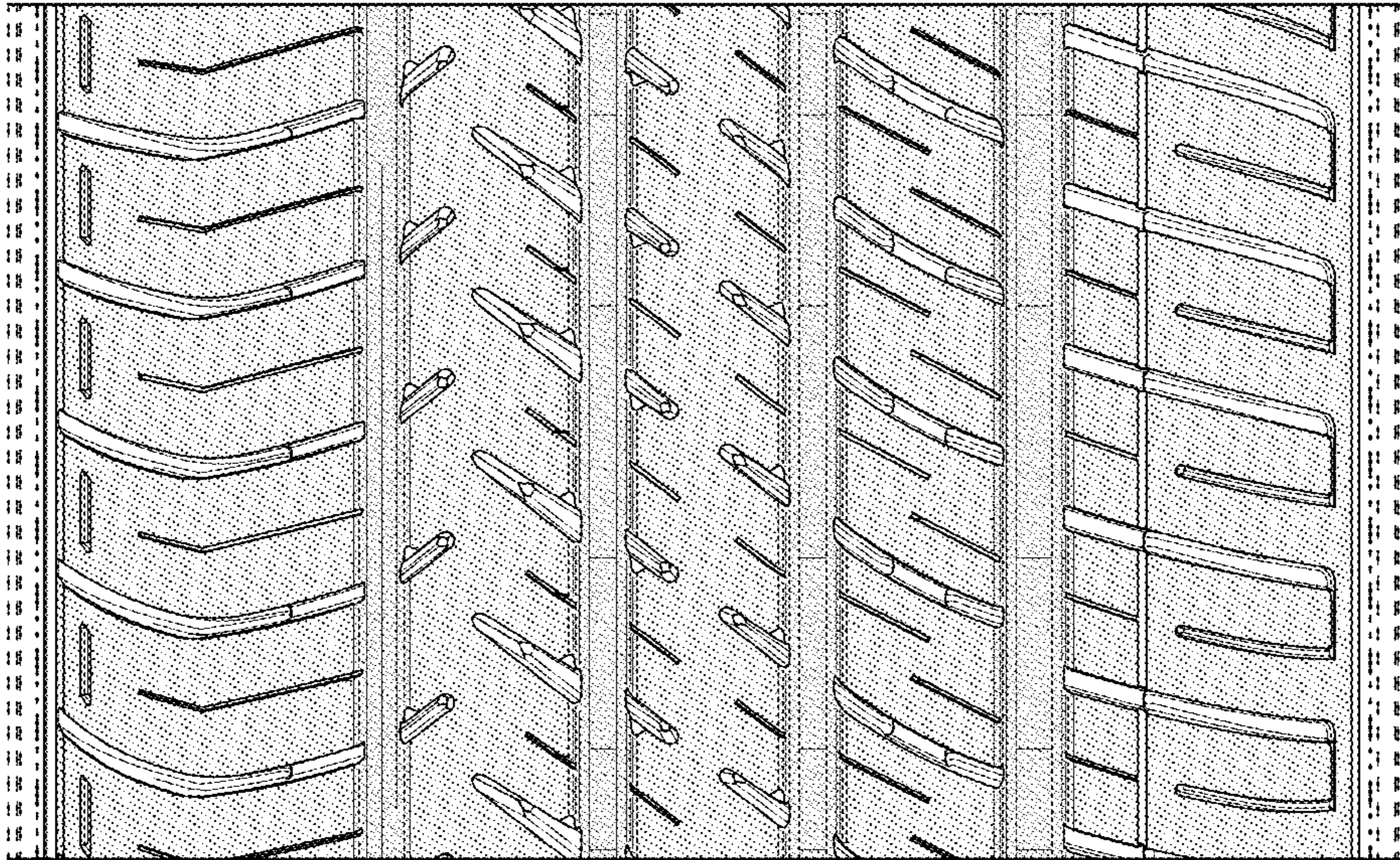


FIG. 10

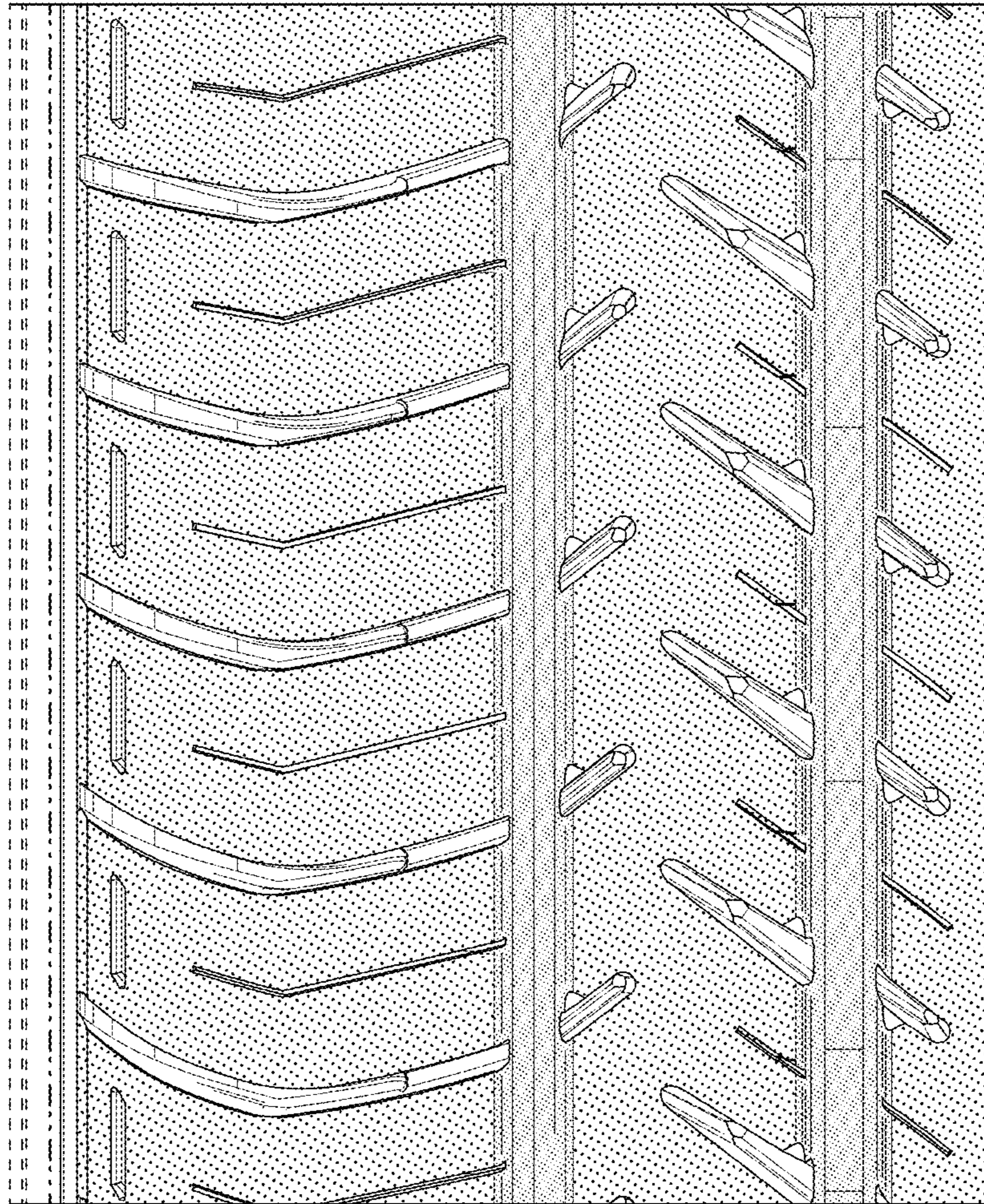


FIG. 11

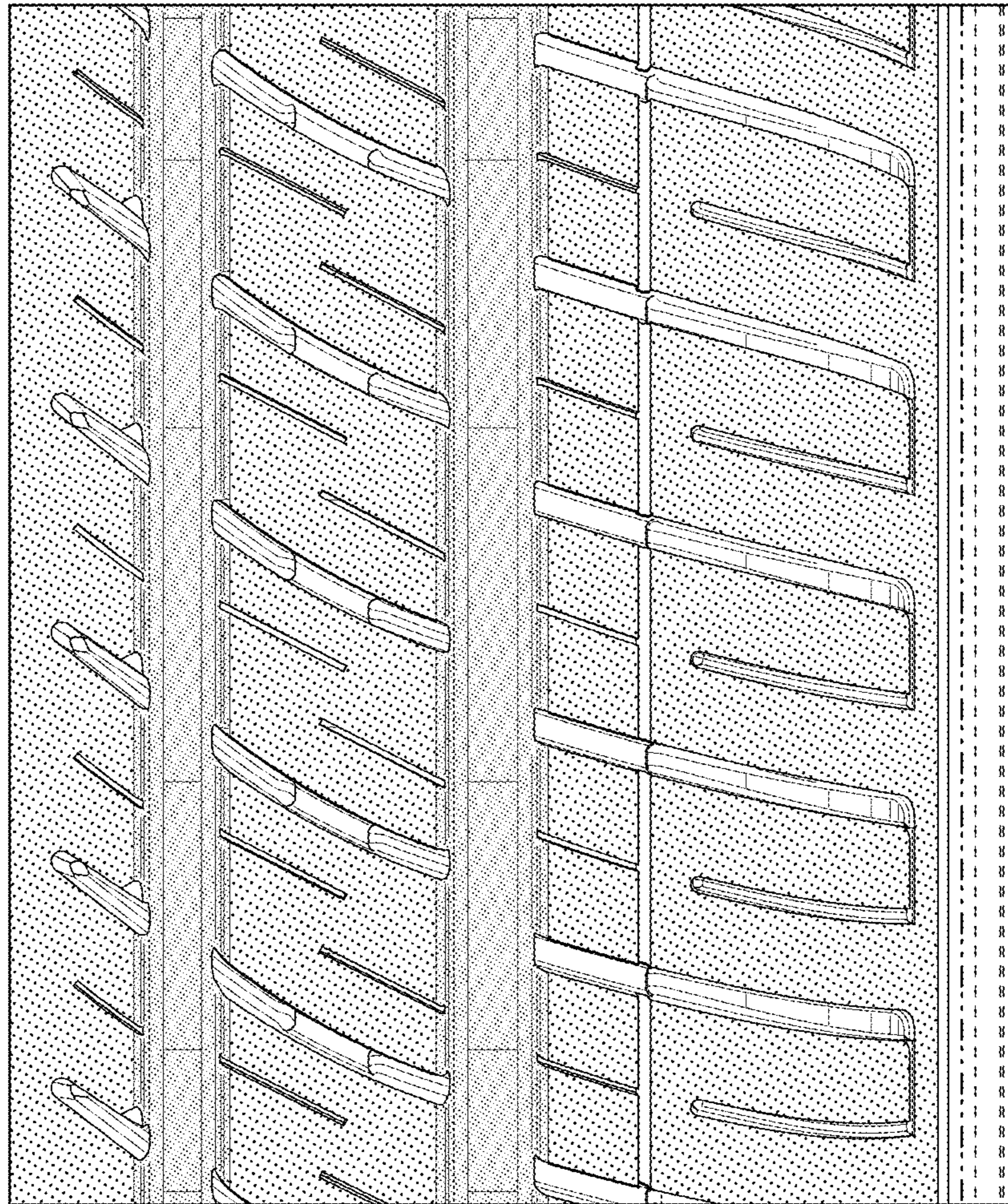


FIG. 12