



US00D831561S

(12) **United States Design Patent** (10) **Patent No.:** **US D831,561 S**
Aiello (45) **Date of Patent:** **** Oct. 23, 2018**

(54) **VEHICLE WHEEL SPOKE**
(71) Applicant: **STRADA WHEELS, INC.**, City of Industry, CA (US)
(72) Inventor: **Rico Aiello**, City of Industry, CA (US)
(73) Assignee: **STRADA WHEELS, INC.**, City of Industry, CA (US)
(**) Term: **15 Years**
(21) Appl. No.: **29/591,258**
(22) Filed: **Jan. 18, 2017**

D589,863 S * 4/2009 Huet D12/209
D594,804 S * 6/2009 Laengerer D12/211
D597,013 S * 7/2009 Chung D12/211
D611,396 S * 3/2010 Antoniadis D12/211
D620,866 S * 8/2010 Blasi D12/209
D626,905 S * 11/2010 Camacho D12/209
D655,660 S * 3/2012 Stucki D12/209
D663,248 S * 7/2012 Kogawa D12/209
D686,962 S * 7/2013 Hale, Jr. D12/213
D695,190 S * 12/2013 Goto D12/209
D695,191 S * 12/2013 Kogawa D12/209
D701,812 S * 4/2014 Hale, Jr. D12/213
D726,089 S * 4/2015 Hodges D12/211
D729,137 S * 5/2015 Muntada Roura D12/209
D736,136 S * 8/2015 Hale, Jr. D12/213
D737,189 S * 8/2015 Claunch D12/209

(Continued)

Related U.S. Application Data

(62) Division of application No. 29/591,148, filed on Jan. 17, 2017.
(51) **LOC (11) Cl.** **12-16**
(52) **U.S. Cl.**
USPC **D12/213; D12/211**
(58) **Field of Classification Search**
USPC D12/400, 204-213; D9/452, 538, 541, D9/546, 559, 669; D7/506, 539, 540, D7/556, 563, 567, 615, 675, 677
CPC B60B 7/00; B60B 7/02; B60B 7/04; B60B 7/01; B60B 7/06; B60B 3/02; B60B 3/04; B60B 3/06; B60B 3/10; B60B 1/00; B60B 1/08; B60B 1/10; B60B 1/12
See application file for complete search history.

(56) **References Cited**

U.S. PATENT DOCUMENTS

D392,239 S * 3/1998 Cullen D12/211
D428,594 S * 7/2000 Neeper D12/209
D429,205 S * 8/2000 Hussaini D12/209
D562,208 S * 2/2008 Pfeiffer D12/213
D563,306 S * 3/2008 Pfeiffer D12/213
D581,852 S * 12/2008 Scheu D12/211

OTHER PUBLICATIONS

Strada Moto Gloss Black Milled. youtube.com .[online video] 1 pg. Published Mar. 30, 2017. [Retrieved on Mar. 26, 2018] <https://www.youtube.com/watch?v=UJg3yhQpb0c>.*

(Continued)

Primary Examiner — Susan Bennett Hattan
Assistant Examiner — Marie D. Fast Horse
(74) *Attorney, Agent, or Firm* — Sheridan Ross P.C.

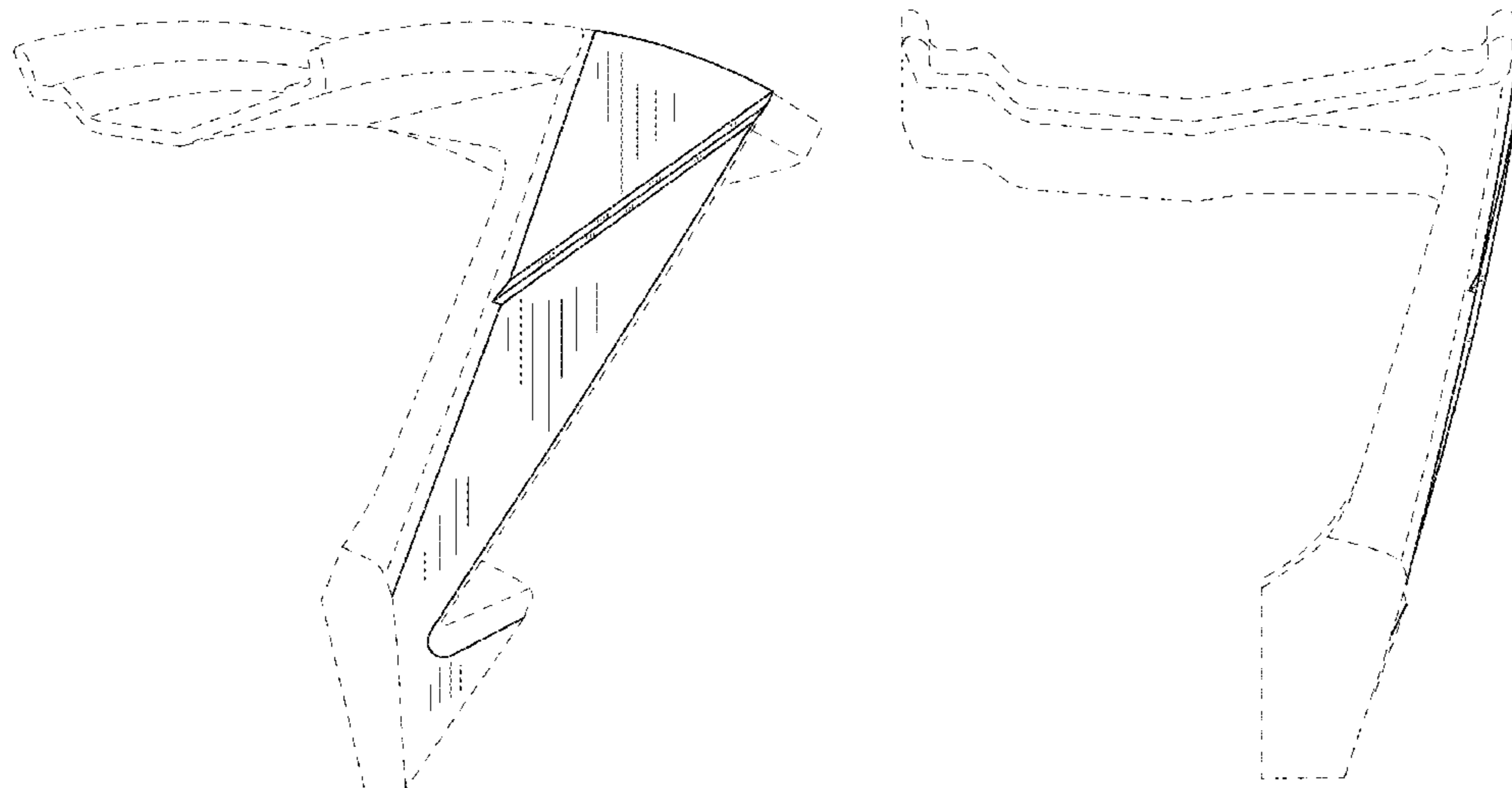
(57) **CLAIM**

The ornamental design for a vehicle wheel spoke, as shown and described.

DESCRIPTION

FIG. 1 is a perspective view of a vehicle wheel spoke showing my new design;
FIG. 2 is another perspective view thereof;
FIG. 3 is a front view thereof; and,
FIG. 4 is a left side elevation view thereof.
The broken lines show portions of the vehicle wheel spoke which form no part of the claimed design.

1 Claim, 4 Drawing Sheets



(56)

References Cited

U.S. PATENT DOCUMENTS

D738,280 S * 9/2015 Hale D12/209
 D740,197 S * 10/2015 Valencia Pollex D12/209
 D748,556 S * 2/2016 Valencia Pollex D12/209
 D755,694 S * 5/2016 Valencia Pollex D12/209
 D755,699 S * 5/2016 Valencia Pollex D12/211
 D761,182 S * 7/2016 Valencia Pollex D12/211
 D763,774 S * 8/2016 Henderson D12/213
 D769,165 S * 10/2016 Choi D12/209
 D769,170 S * 10/2016 Johnson D12/211
 D770,352 S * 11/2016 Sze D12/209
 D770,353 S * 11/2016 Hale, Jr. D12/211
 D783,491 S * 4/2017 Valencia Pollex D12/209
 D785,537 S * 5/2017 Valencia Pollex D12/211
 D790,423 S * 6/2017 Valencia Pollex D12/209
 D791,046 S * 7/2017 Ishii D12/209
 D791,054 S * 7/2017 Valencia Pollex D12/211
 D793,321 S * 8/2017 Valencia Pollex D12/209

D793,323 S * 8/2017 Valencia Pollex D12/211
 D795,777 S * 8/2017 Valencia Pollex D12/211
 D795,778 S * 8/2017 Valencia Pollex D12/211
 D795,780 S * 8/2017 Simpson D12/213
 D796,408 S * 9/2017 Valencia Pollex D12/209
 D798,787 S * 10/2017 Song D12/211
 D799,397 S * 10/2017 Le Vay D12/211
 D800,633 S * 10/2017 Kong D12/211
 D807,270 S * 1/2018 Zhao D12/211
 D808,322 S * 1/2018 Sempek D12/209

OTHER PUBLICATIONS

Vehicle wheels. (Design—© Questel) orbit.com.[online PDF] 17pgs.
 Publish Dates range from Dec. 2, 2009 to Sep. 12, 2017 [Retrieved
 on Mar. 26, 2018] <https://sobjprd.questel.fr/export/QPTUJ214/pdf2/02ddc988-e4bf-4547-bd18-fca29c74475e-000618.pdf>.*

* cited by examiner

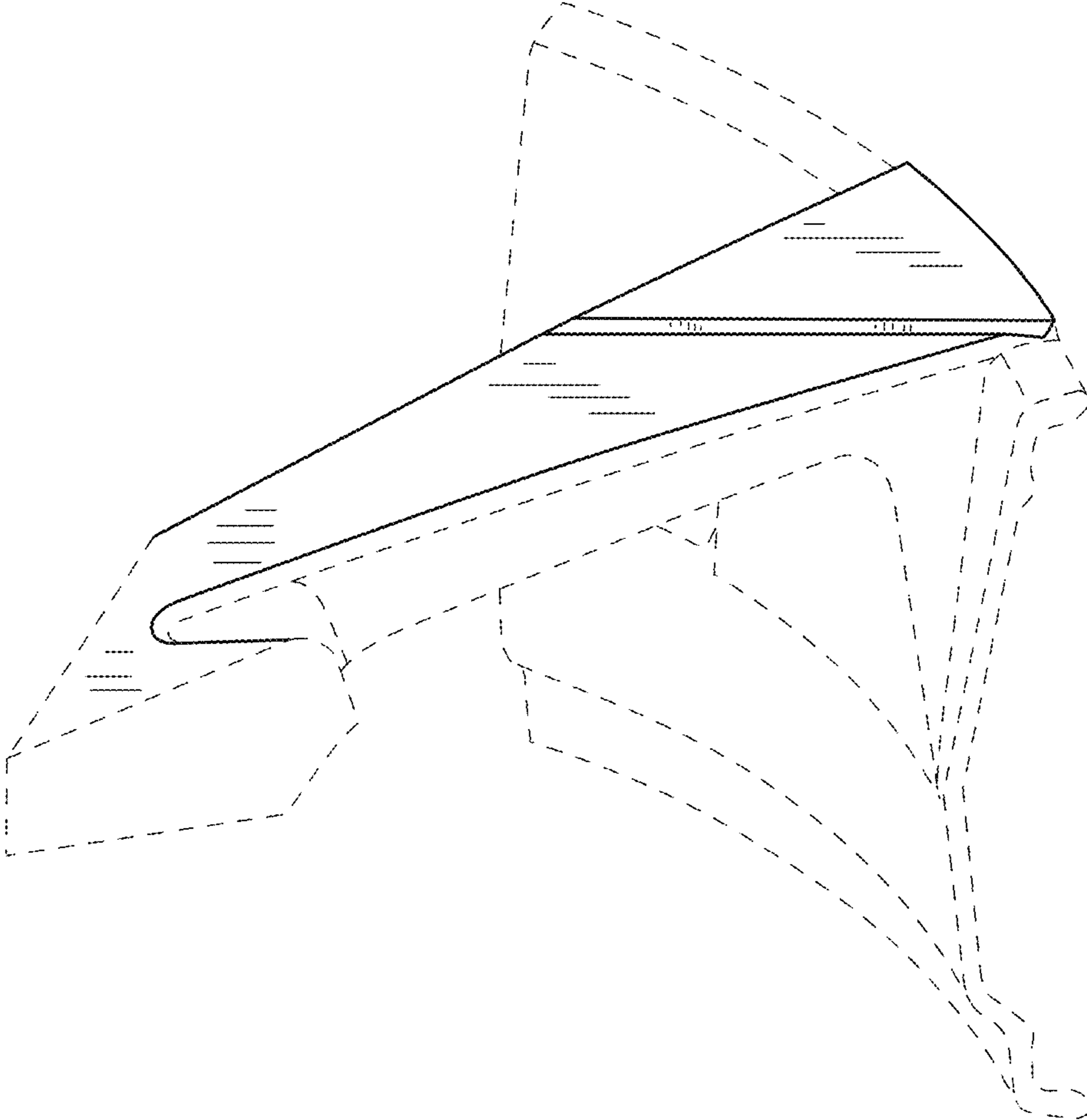


FIG.1

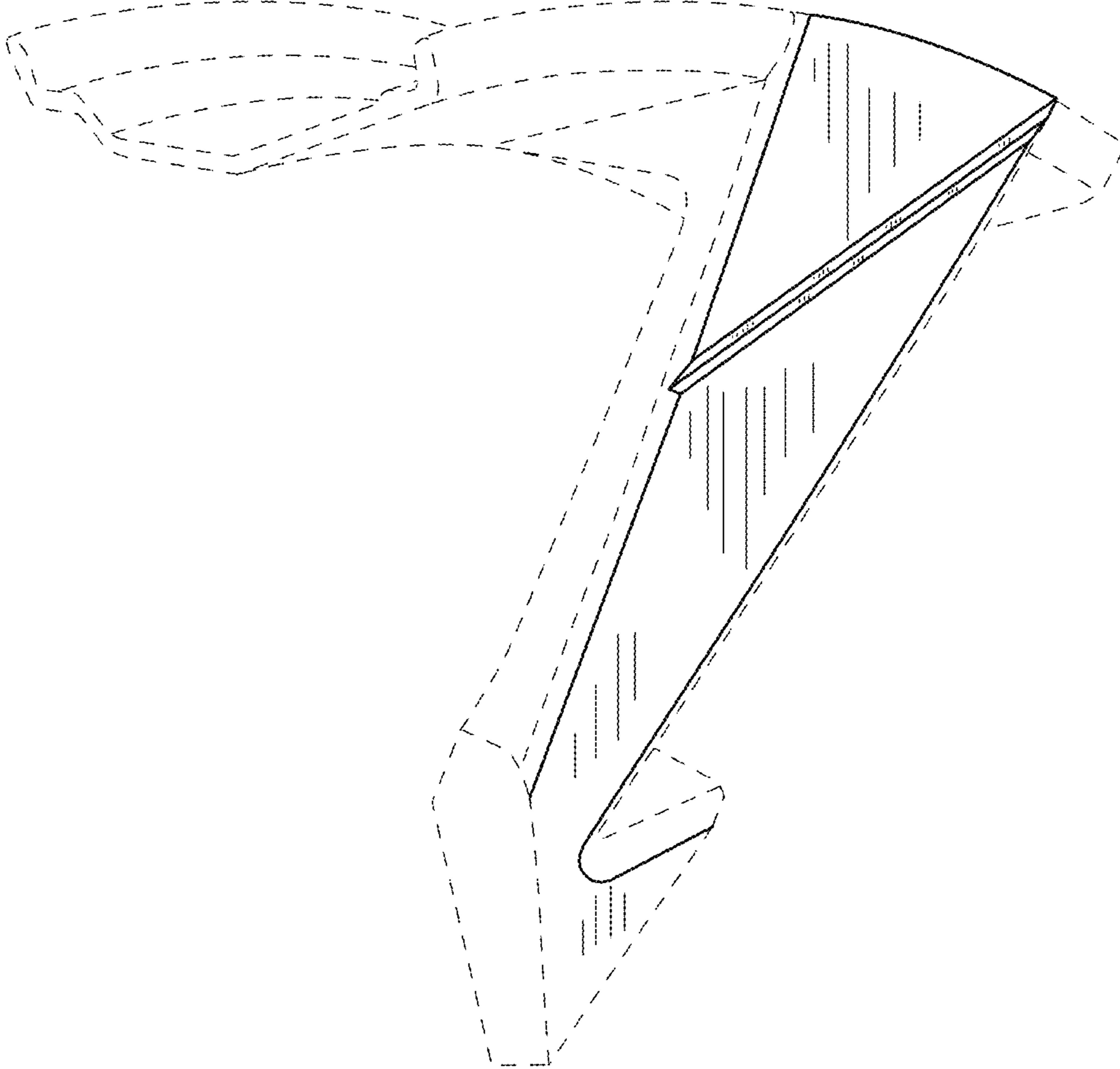


FIG.2

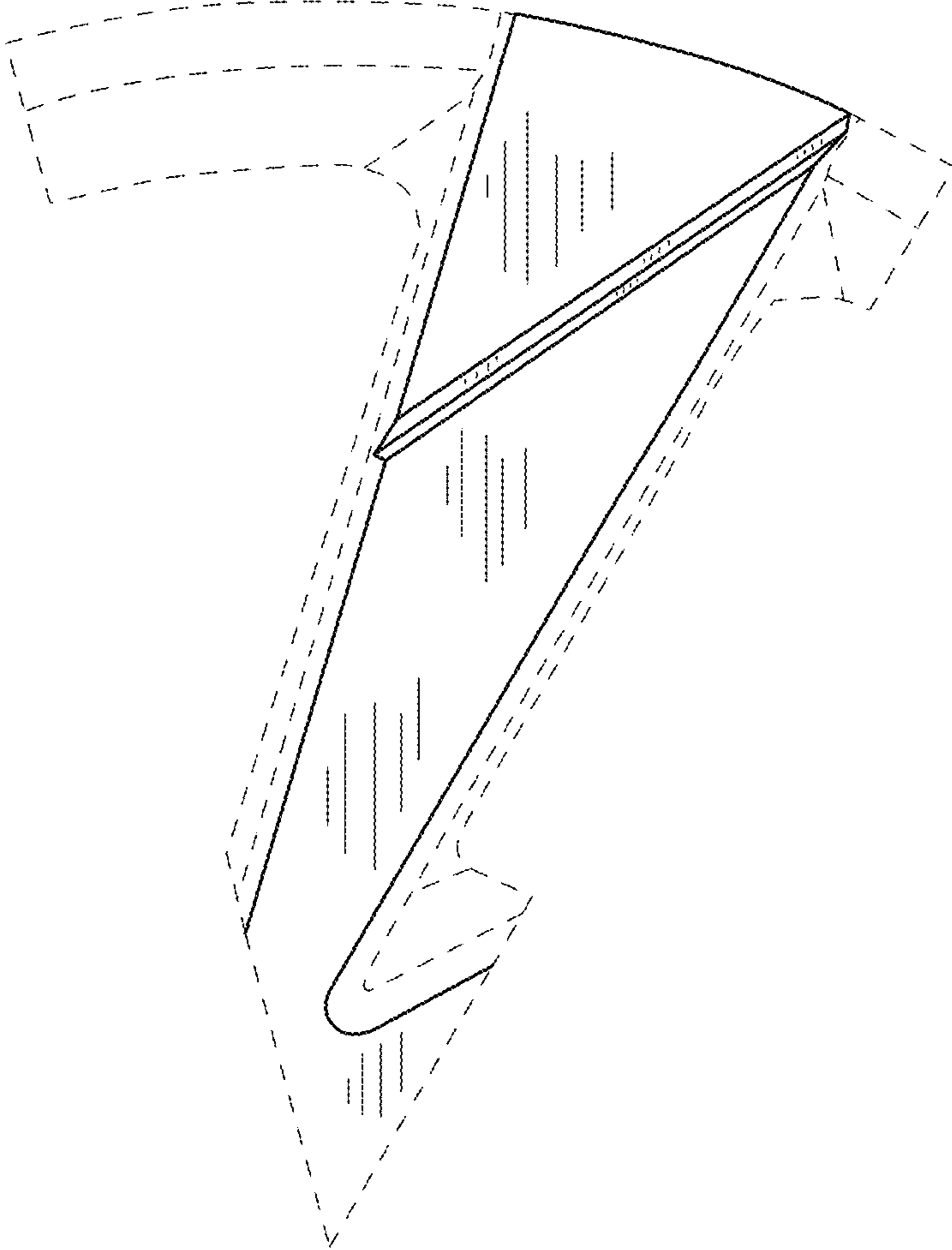


FIG.3

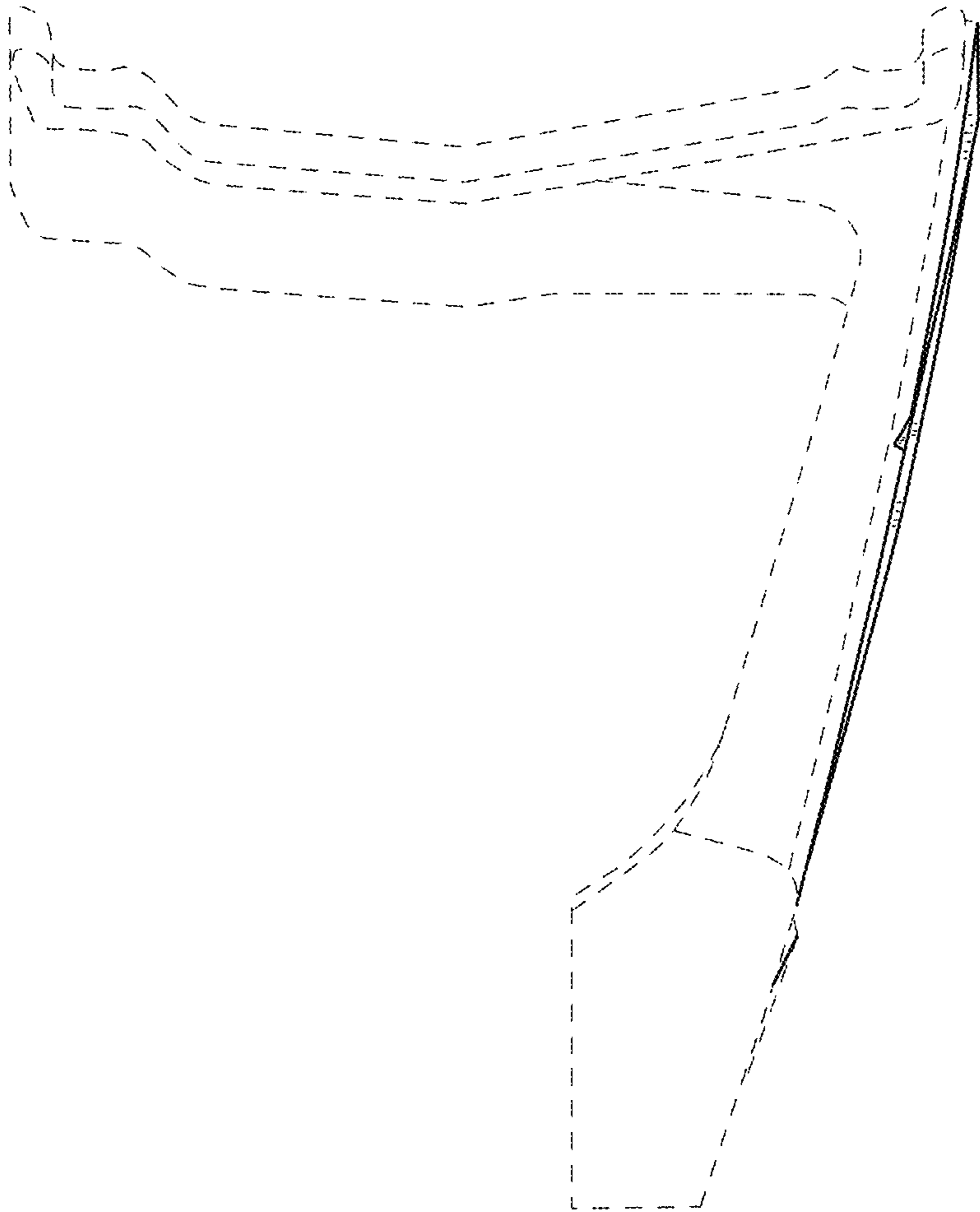


FIG.4