



US00D831558S

(12) **United States Design Patent**  
**Starr, Jr.**

(10) **Patent No.:** **US D831,558 S**

(45) **Date of Patent:** **\*\* Oct. 23, 2018**

(54) **FRONT FACE OF A VEHICLE WHEEL**

(71) Applicant: **Ray Starr, Jr.**, Pompano Beach, FL  
(US)

(72) Inventor: **Ray Starr, Jr.**, Pompano Beach, FL  
(US)

(\*\*) Term: **15 Years**

(21) Appl. No.: **29/604,688**

(22) Filed: **May 19, 2017**

(51) **LOC (11) Cl.** ..... **12-16**

(52) **U.S. Cl.**  
USPC ..... **D12/209**

(58) **Field of Classification Search**  
USPC ..... D12/204–213; D21/533, 561, 563  
CPC .... B60B 7/00; B60B 7/02; B60B 7/04; B60B  
7/06; B60B 3/02; B60B 3/04; B60B 3/06;  
B60B 3/10; B60B 1/00; B60B 1/08;  
B60B 1/10; B60B 1/12

See application file for complete search history.

(56) **References Cited**

**U.S. PATENT DOCUMENTS**

D531,564 S \* 11/2006 Martin ..... D12/209  
D542,206 S \* 5/2007 Evans ..... D12/209

D578,947 S \* 10/2008 Arora ..... D12/209  
D635,903 S \* 4/2011 Zhang ..... D12/209  
D738,280 S \* 9/2015 Hale ..... D12/209  
D748,555 S \* 2/2016 Hale ..... D12/209  
D788,677 S \* 6/2017 Lickliter ..... D12/209

\* cited by examiner

*Primary Examiner* — Sheryl Lane

*Assistant Examiner* — Calvin E Vansant

(74) *Attorney, Agent, or Firm* — Harpman & Harpman

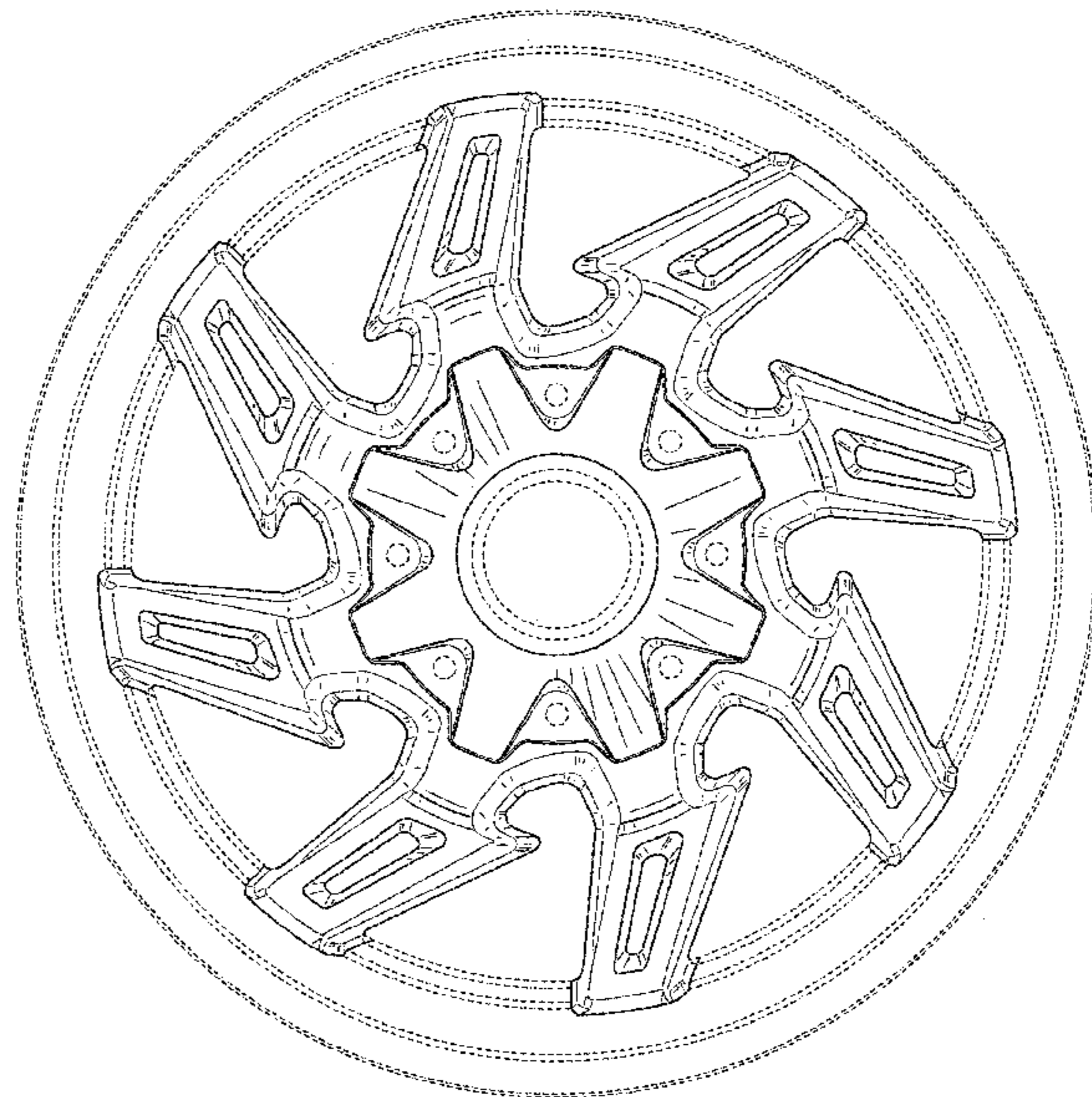
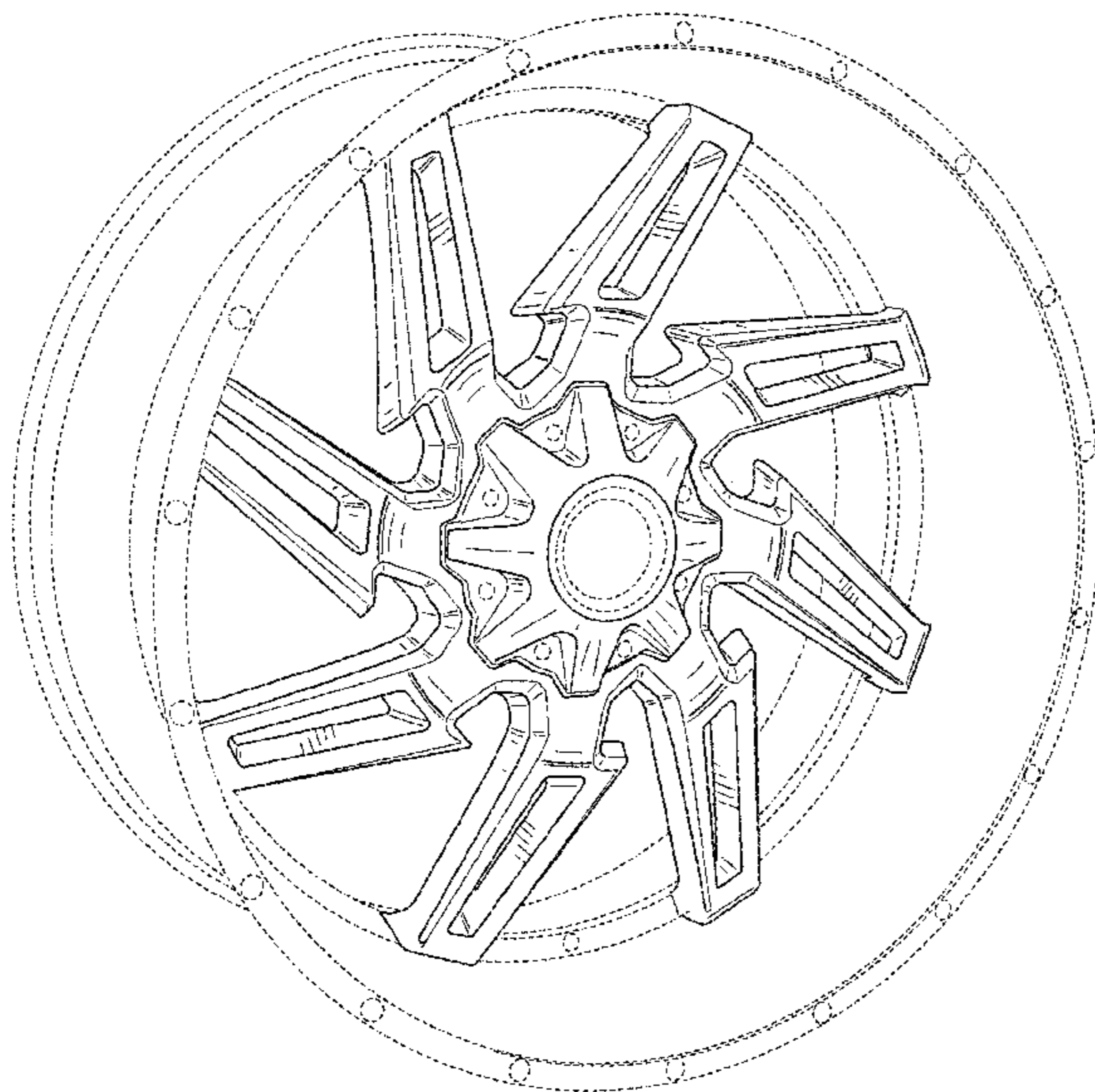
(57) **CLAIM**

The ornamental design for a front face of a vehicle wheel,  
as shown and described.

**DESCRIPTION**

FIG. 1 is a perspective view of the front face of the wheel  
according to the present invention; and,  
FIG. 2 is a front elevational view thereof.  
The broken lines depict portions of the front face of a vehicle  
wheel that form no part of the claim.

**1 Claim, 2 Drawing Sheets**



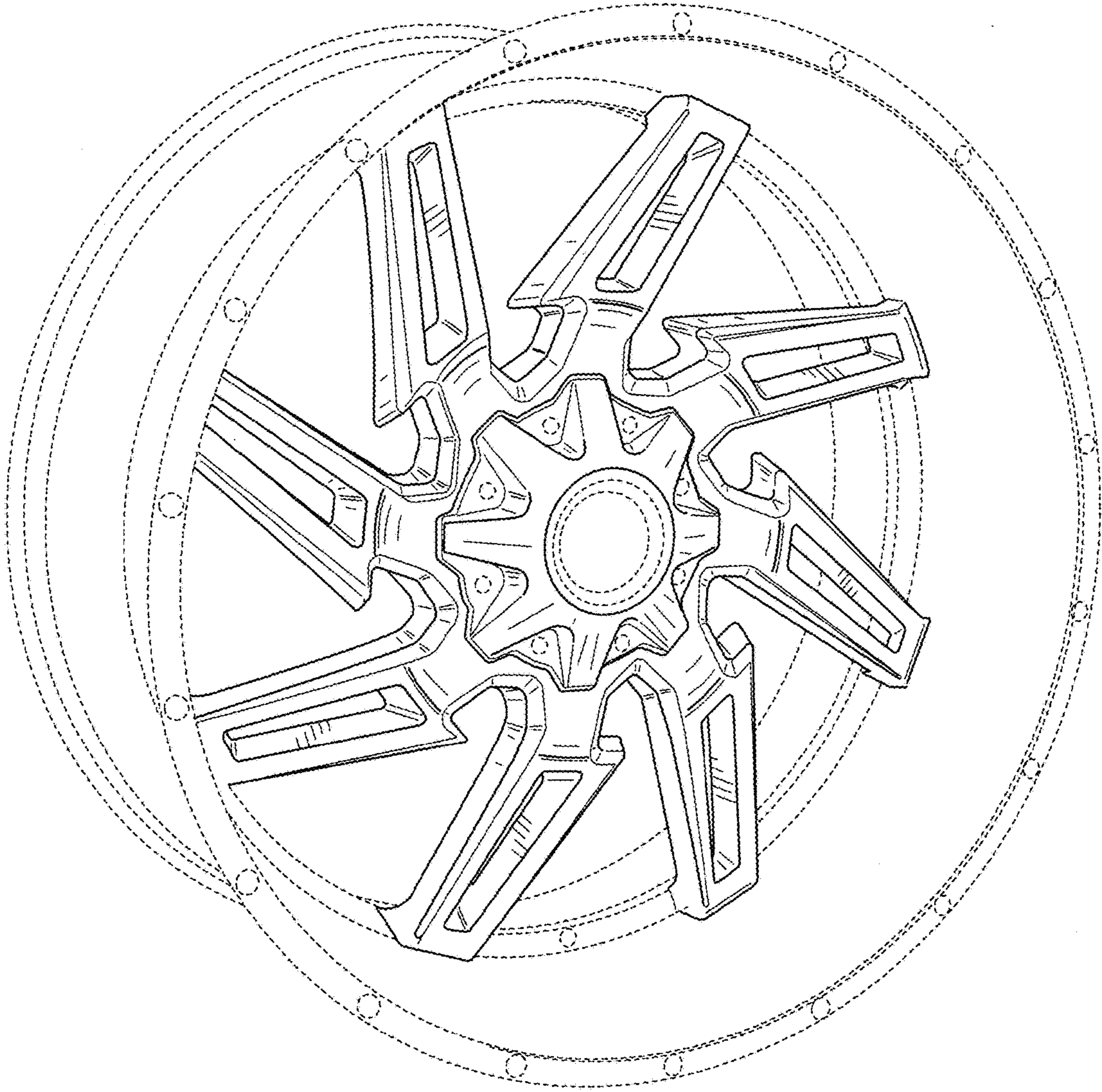


FIG. 1



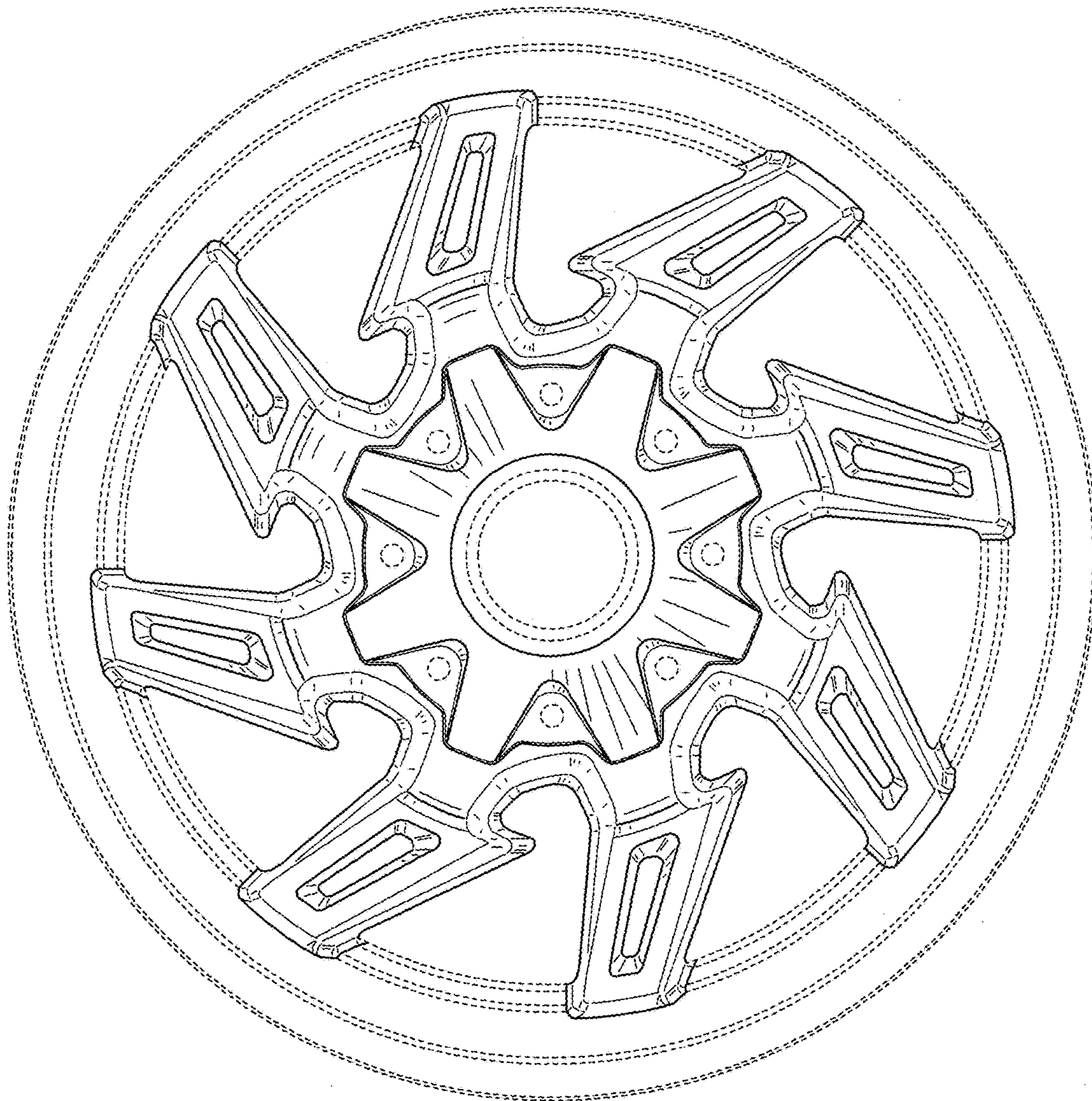


FIG. 2