



US00D831556S

(12) **United States Design Patent**
Hodges

(10) **Patent No.:** **US D831,556 S**

(45) **Date of Patent:** **** Oct. 23, 2018**

(54) **WHEEL**

(71) Applicant: **Frank J. Hodges**, Corona, CA (US)

(72) Inventor: **Frank J. Hodges**, Corona, CA (US)

(**) Term: **15 Years**

(21) Appl. No.: **29/576,479**

(22) Filed: **Sep. 2, 2016**

(51) **LOC (11) Cl.** **12-16**

(52) **U.S. Cl.**
USPC **D12/209**

(58) **Field of Classification Search**
USPC D12/204–213
CPC B60B 7/00; B60B 7/02; B60B 7/04; B60B 7/01; B60B 7/06; B60B 3/02; B60B 3/04; B60B 3/06; B60B 3/10; B60B 1/00; B60B 1/08; B60B 1/10; B60B 1/12
See application file for complete search history.

(56) **References Cited**

U.S. PATENT DOCUMENTS

D404,700 S * 1/1999 Celeste D12/209
D441,707 S * 5/2001 Hussaini D12/209

D531,564 S * 11/2006 Martin D12/209
D542,206 S * 5/2007 Evans D12/209
D635,077 S * 3/2011 Nordmann D12/209
D671,479 S * 11/2012 Gonser D12/209
D673,494 S * 1/2013 Lemke D12/209
D725,568 S * 3/2015 Hodges D12/209
D737,189 S * 8/2015 Claunch D12/209
D739,329 S * 9/2015 Watkin D12/211
D756,877 S * 5/2016 Huang D12/209
D765,000 S * 8/2016 Song D12/209
D781,763 S * 3/2017 Webber D12/209
D792,309 S * 7/2017 Wolff D12/211

* cited by examiner

Primary Examiner — Stacia A Cadmus

(74) *Attorney, Agent, or Firm* — Eric B. Alspaugh

(57) **CLAIM**

The ornamental design for a wheel, as shown and described.

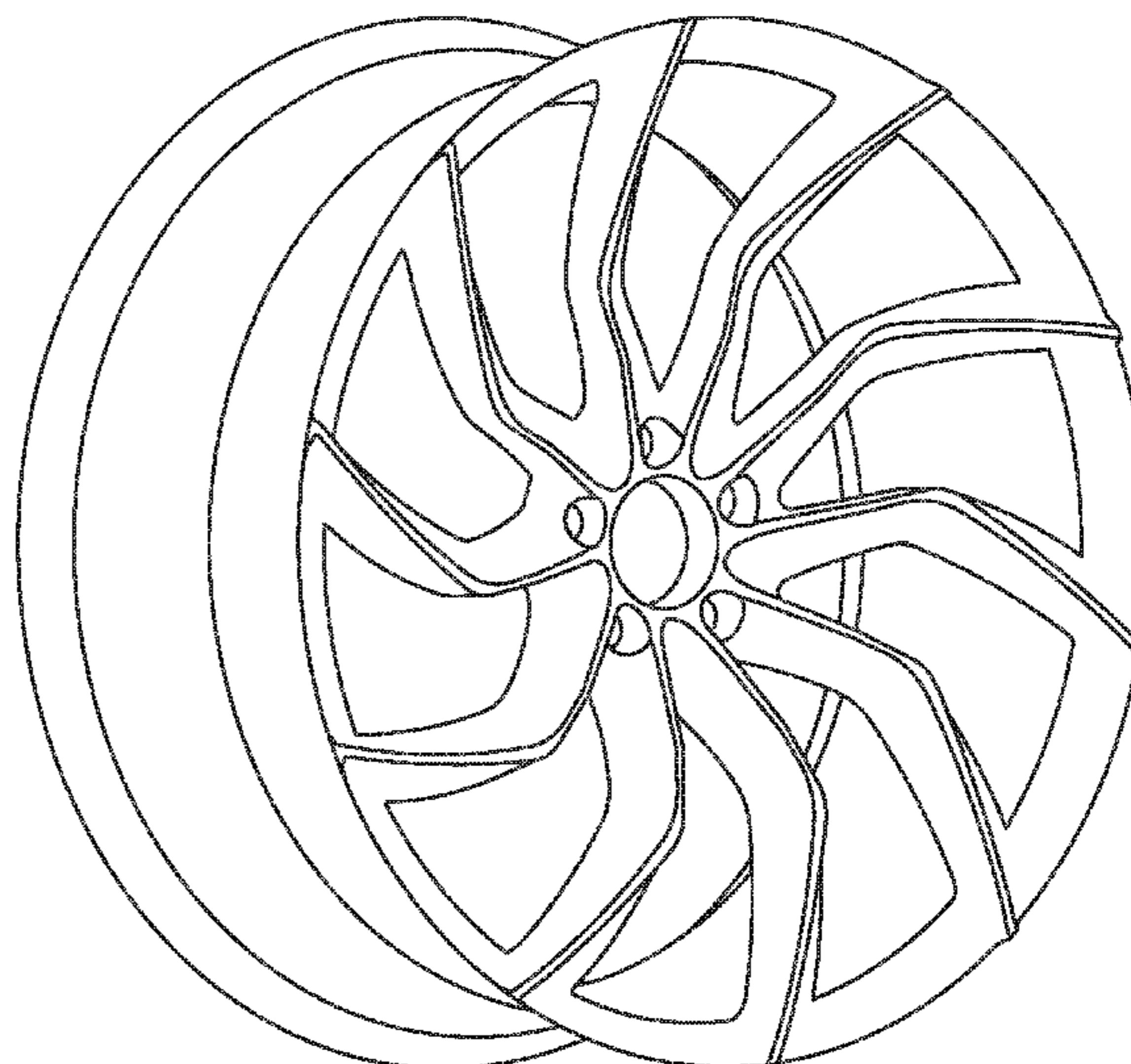
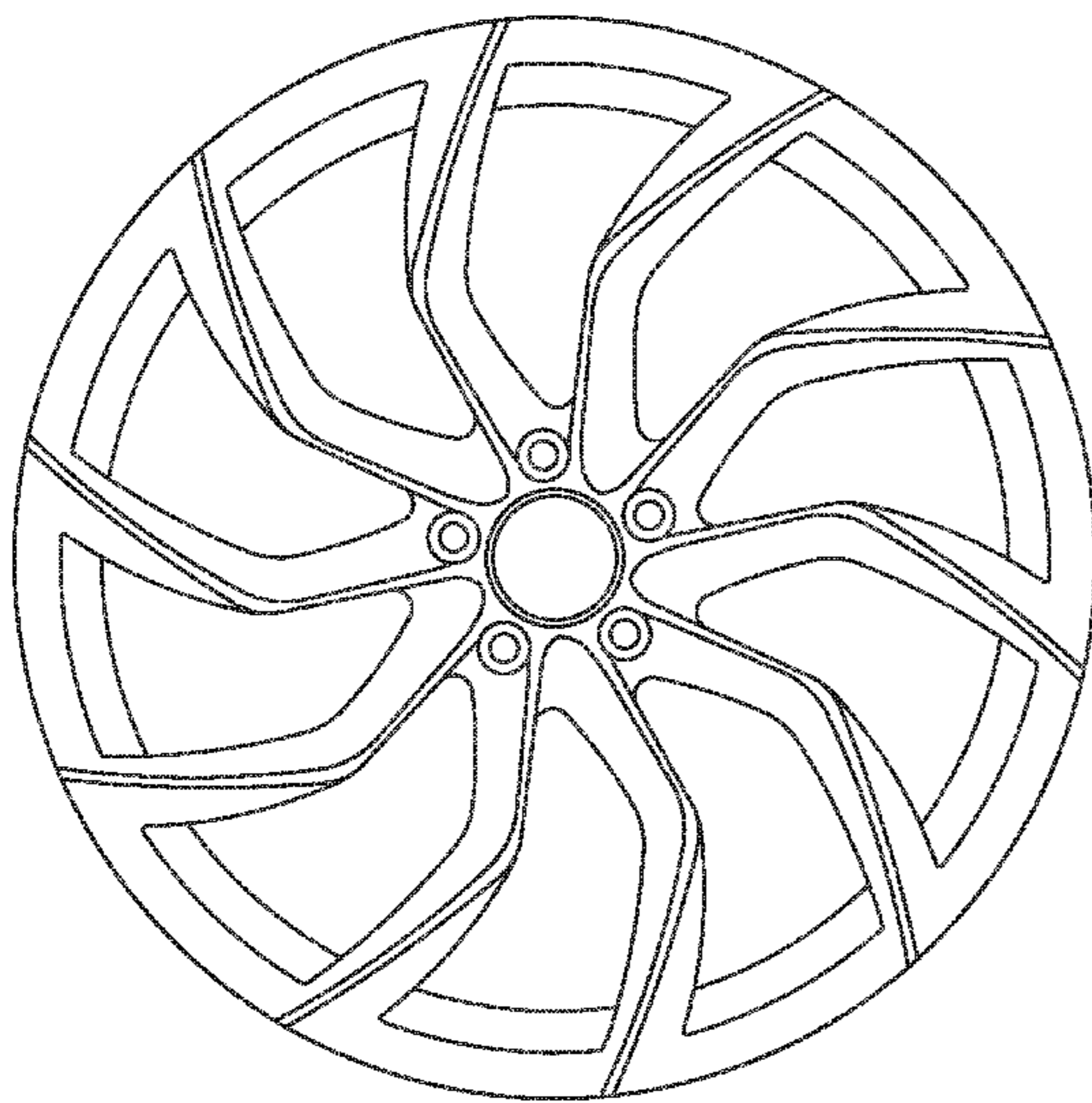
DESCRIPTION

FIG. 1 is a front view of a wheel showing my new design; and,

FIG. 2 is an oblique view thereof.

The portions shown in phantom provide context only but do not limit the claim and should not be considered part of the claimed design.

1 Claim, 2 Drawing Sheets



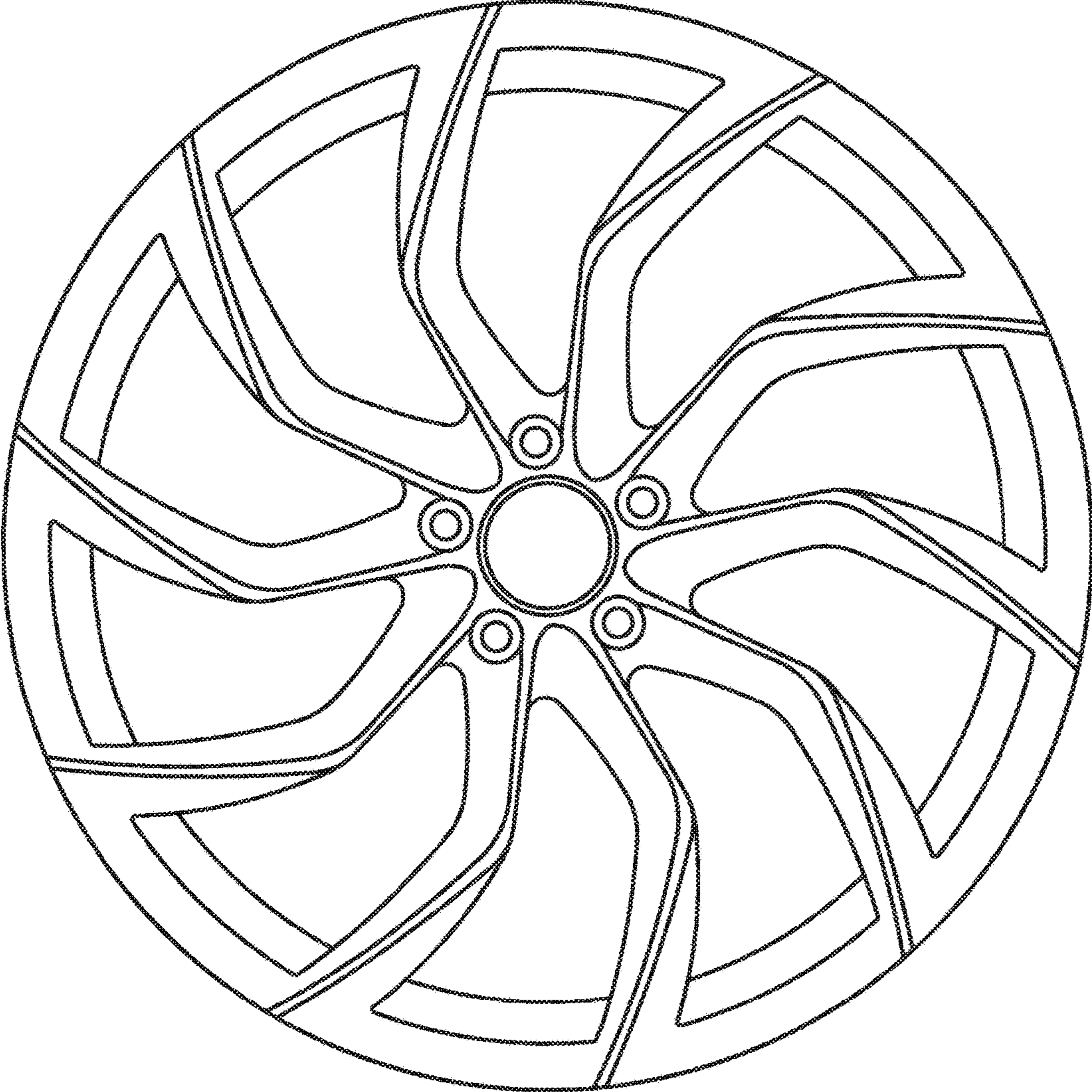


Fig. 1

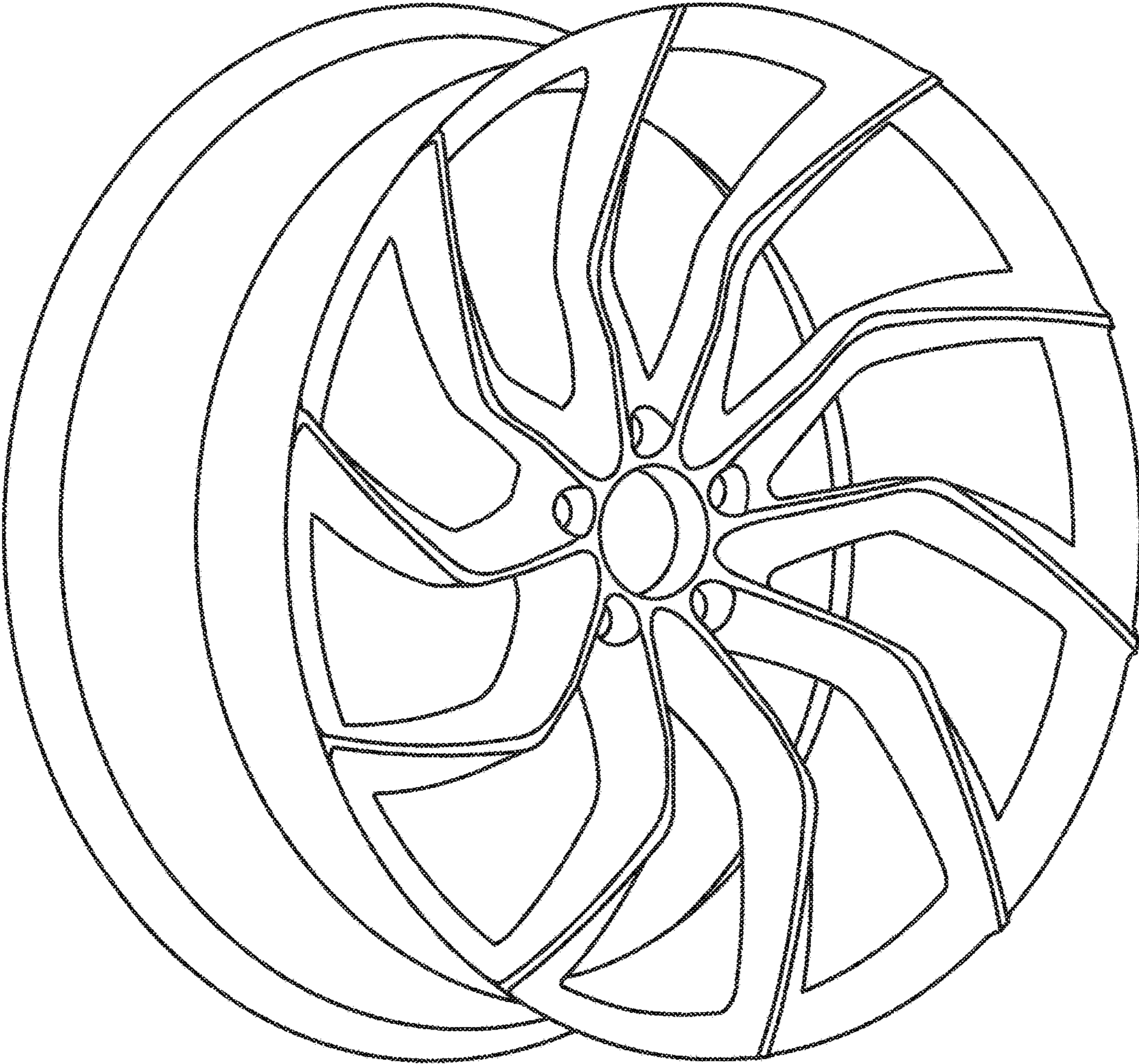


Fig. 2