



US00D831551S

(12) **United States Design Patent**
Wilson et al.

(10) **Patent No.:** **US D831,551 S**
(45) **Date of Patent:** **** Oct. 23, 2018**

(54) **BRAKE CALIPER**

(71) Applicant: **Akebono Brake Industry Co., Ltd.**,
Chuo-ku, Tokyo (JP)

(72) Inventors: **Kirby Lee Wilson**, Lathrup Village, MI
(US); **Andreas Keller**, Dexter, MI (US)

(73) Assignee: **AKEBONO BRAKE INDUSTRY
CO., LTD**, Tokyo (JP)

DE	102006052177	A1	5/2008
DE	102008029582	A1	4/2009
DE	102011052169	A1	1/2013
EP	1865218	A1	12/2007
EP	1898116	A1	3/2008
EP	1911989	A1	4/2008
FR	2126588	A5	10/1972
JP	H09257063	A	9/1997
JP	2007147041	A	6/2007
JP	2009257578	A	11/2009
WO	2006109710	A1	10/2006

(**) Term: **15 Years**

(21) Appl. No.: **29/575,923**

(22) Filed: **Aug. 30, 2016**

(51) **LOC (11) Cl.** **12-08**

(52) **U.S. Cl.**
USPC **D12/190**

(58) **Field of Classification Search**
USPC D12/160, 180
CPC B60T 13/686; B60T 13/588; B60T 8/4077;
B60T 13/142; B60T 13/585; B60T
13/745; F16D 65/0075
See application file for complete search history.

(56) **References Cited**

U.S. PATENT DOCUMENTS

5,620,063	A	4/1997	Smith	
D805,012	S *	12/2017	Crippa	D12/180
2003/0089559	A1	5/2003	Stahl et al.	
2006/0124404	A1	6/2006	Morais et al.	
2006/0219490	A1	10/2006	Eisengraber et al.	
2007/0170020	A1	7/2007	Halasy-Wimmer et al.	
2009/0071767	A1	3/2009	Bass et al.	
2009/0236187	A1	9/2009	Bach et al.	
2013/0092481	A1	4/2013	Crippa et al.	

FOREIGN PATENT DOCUMENTS

DE	4301684	A1	8/1994
DE	10212670	A1	12/2002

OTHER PUBLICATIONS

Akebono Brake Industry Co., Ltd., Concept Automotive Brakes,
dated Apr. 21, 2016.

* cited by examiner

Primary Examiner — Robert M. Spear
(74) *Attorney, Agent, or Firm* — The Dobrusin Law Firm,
P.C.

(57) **CLAIM**

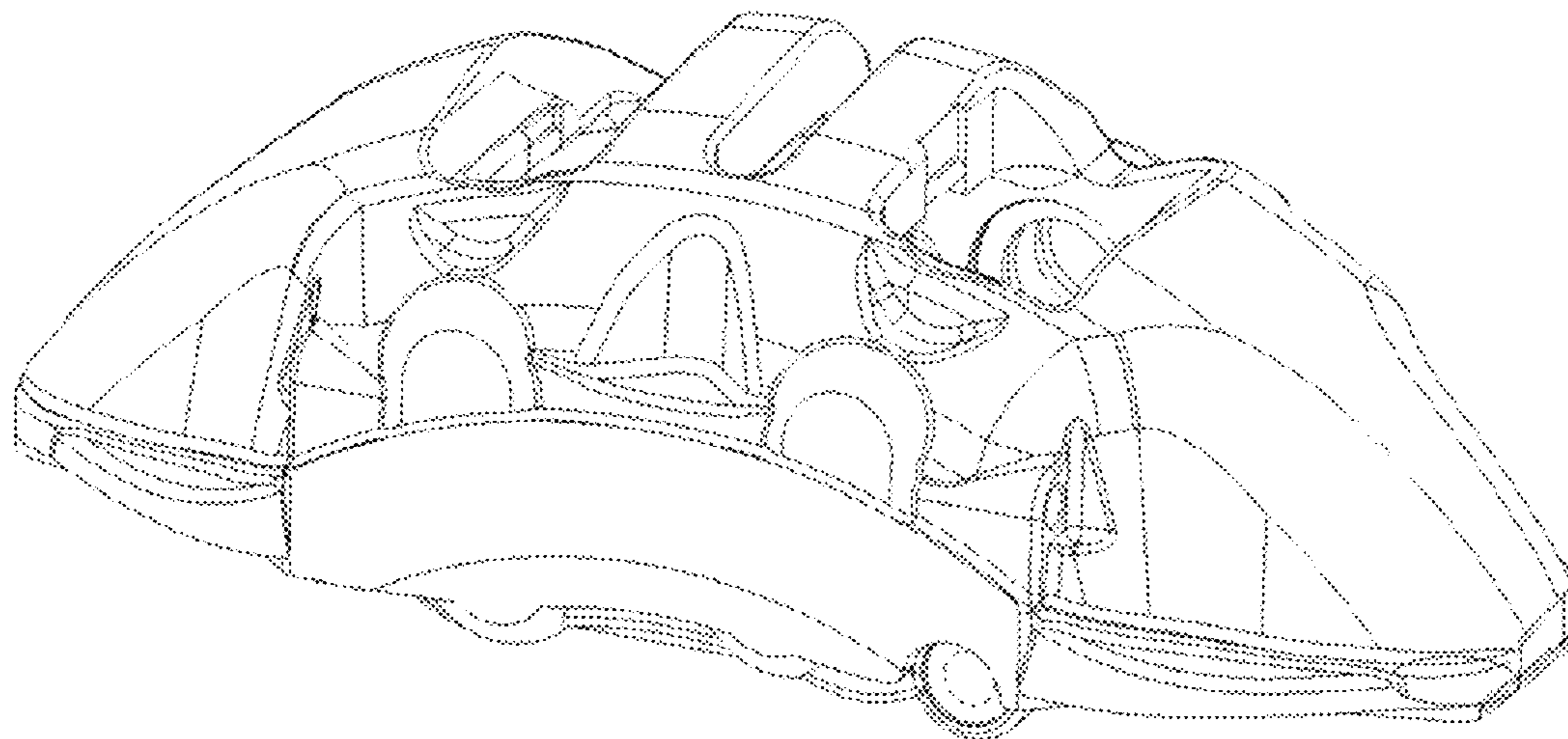
The ornamental design of a brake caliper, as shown and
described.

DESCRIPTION

FIG. 1 is a front perspective view of the brake caliper;
FIG. 2 is a rear perspective view of the brake caliper;
FIG. 3 is a right side perspective view of the brake caliper;
FIG. 4 is a left side perspective view of the brake caliper;
FIG. 5 is a front view of the brake caliper;
FIG. 6 is a back view the brake caliper;
FIG. 7 is a top view the brake caliper;
FIG. 8 is a bottom view the brake caliper; and,
FIG. 9 is a cross-sectional view of the brake caliper taken
along line 9-9 of FIG. 7.

In the drawings, the broken lines depict environmental
subject matter only and form no part of the claimed design.

1 Claim, 5 Drawing Sheets



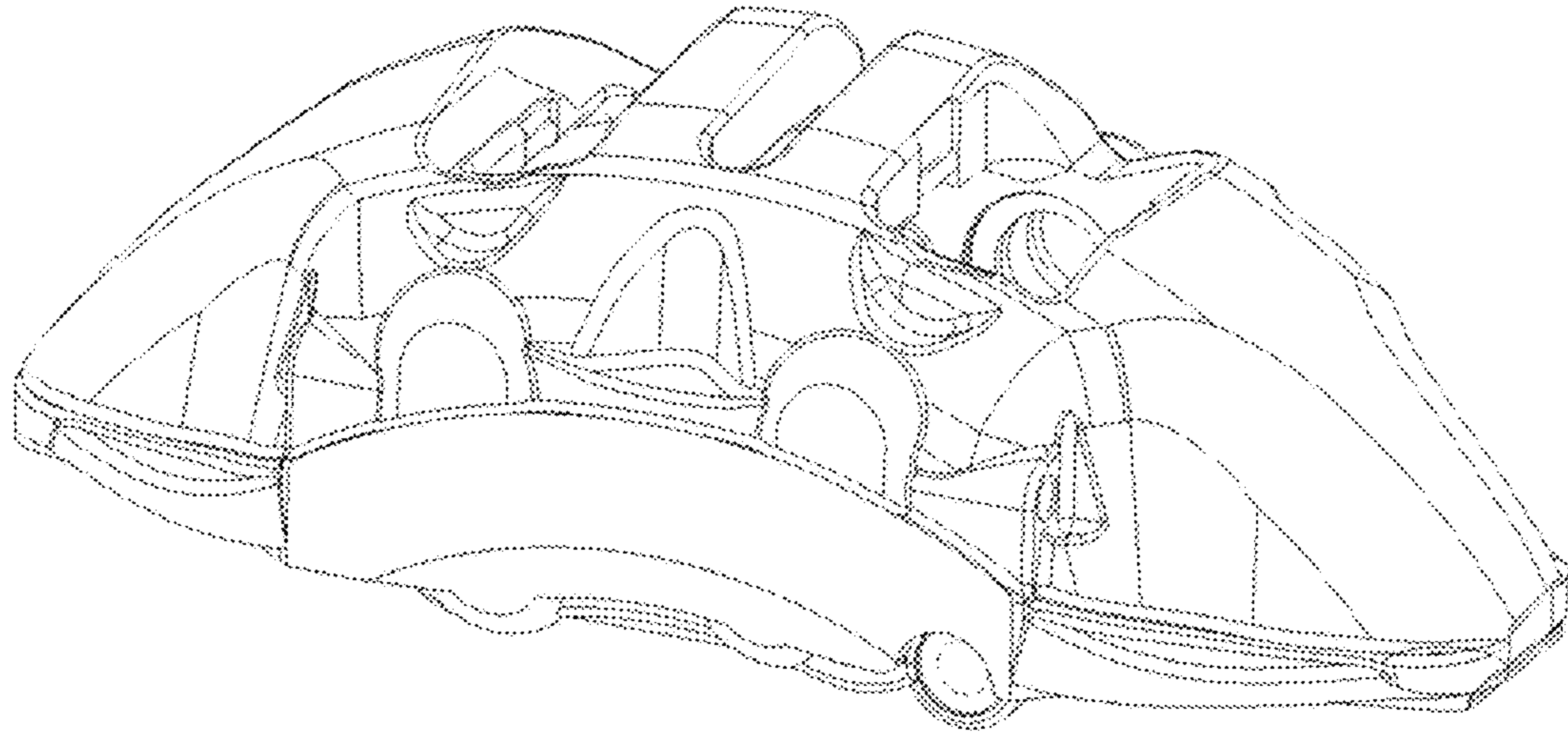


Fig. 1

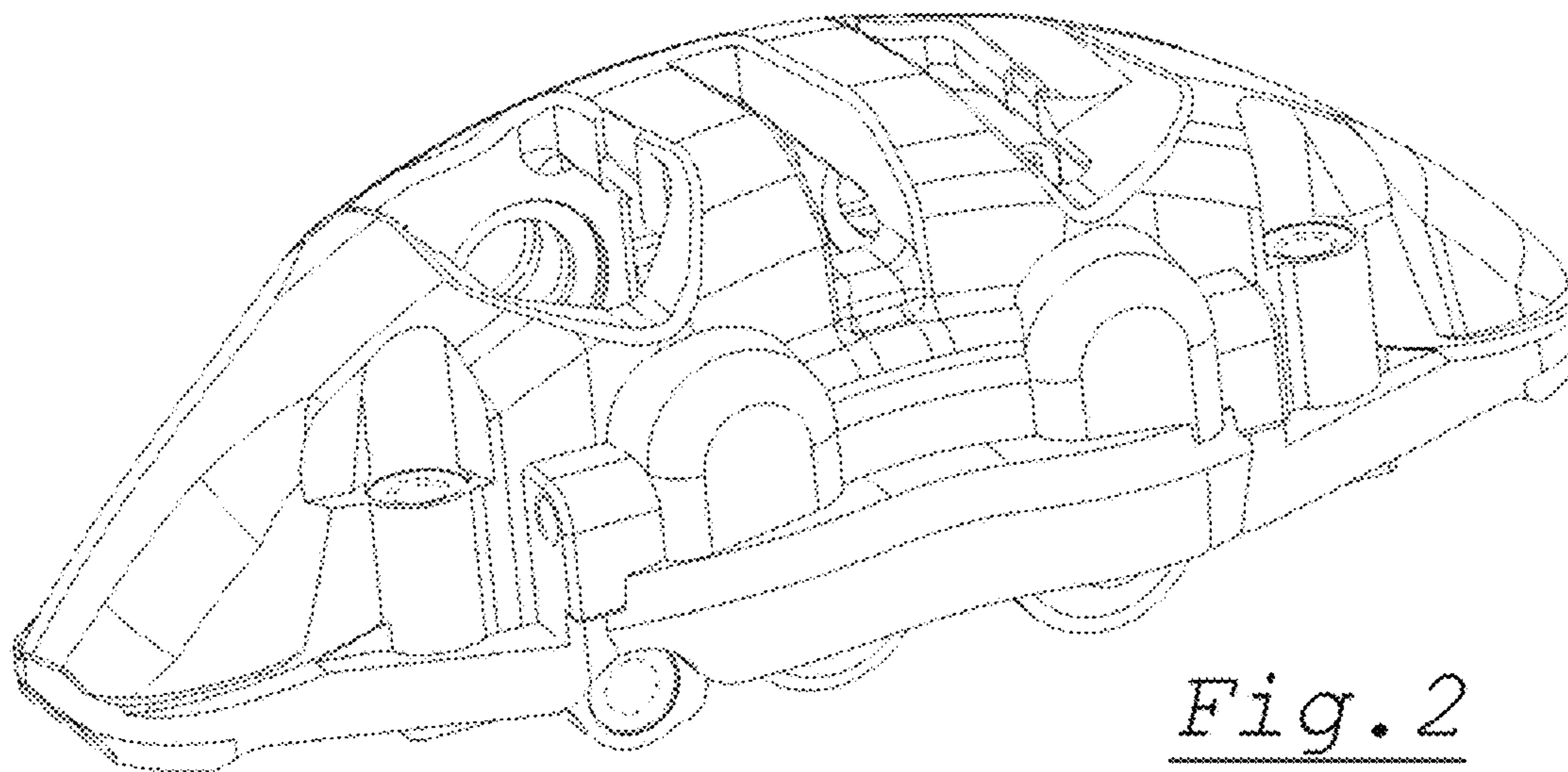


Fig. 2

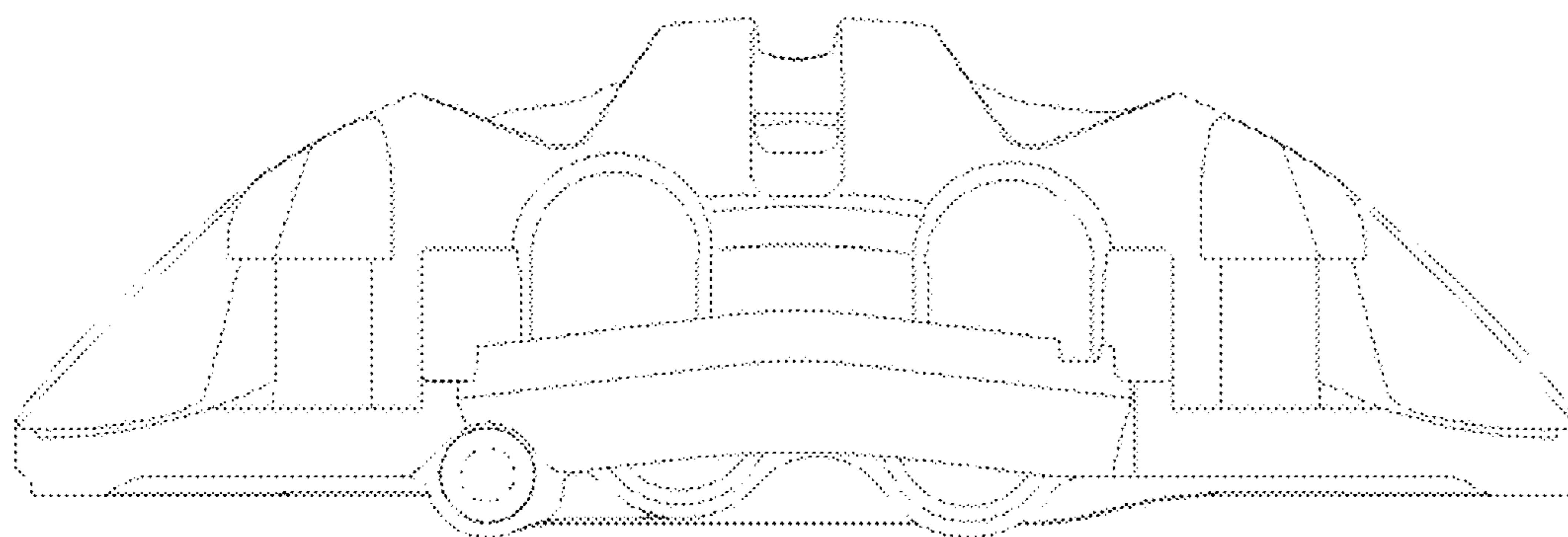


Fig. 3

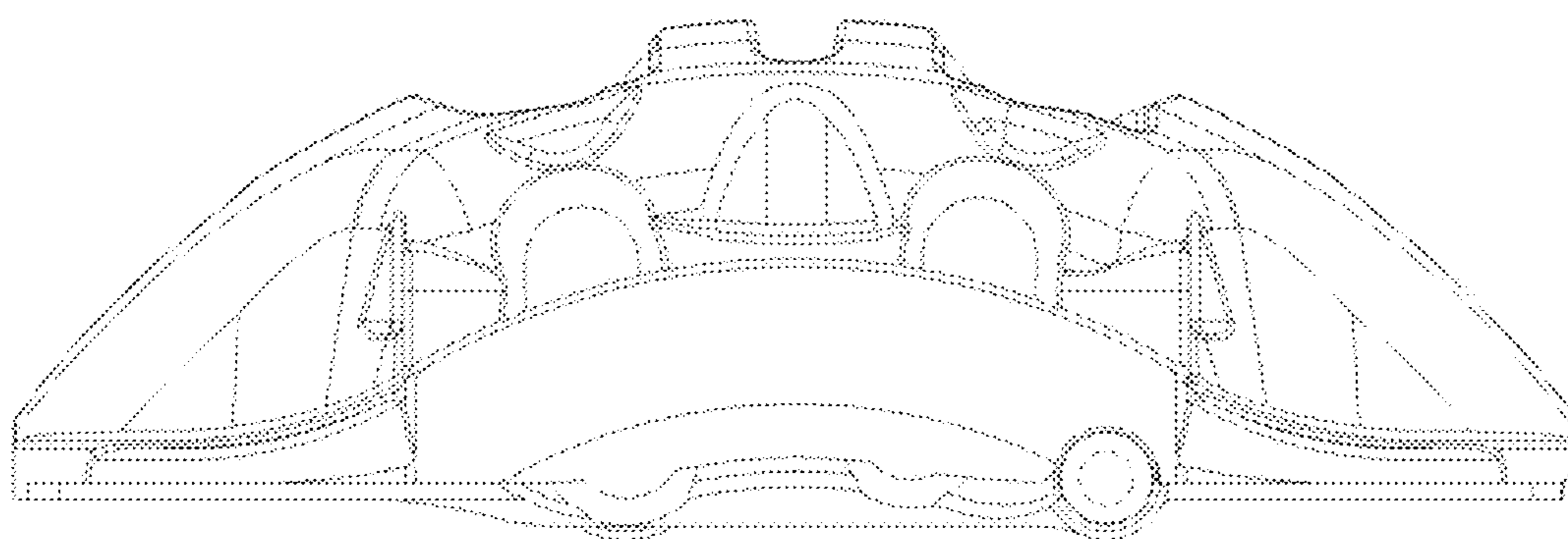


Fig. 4

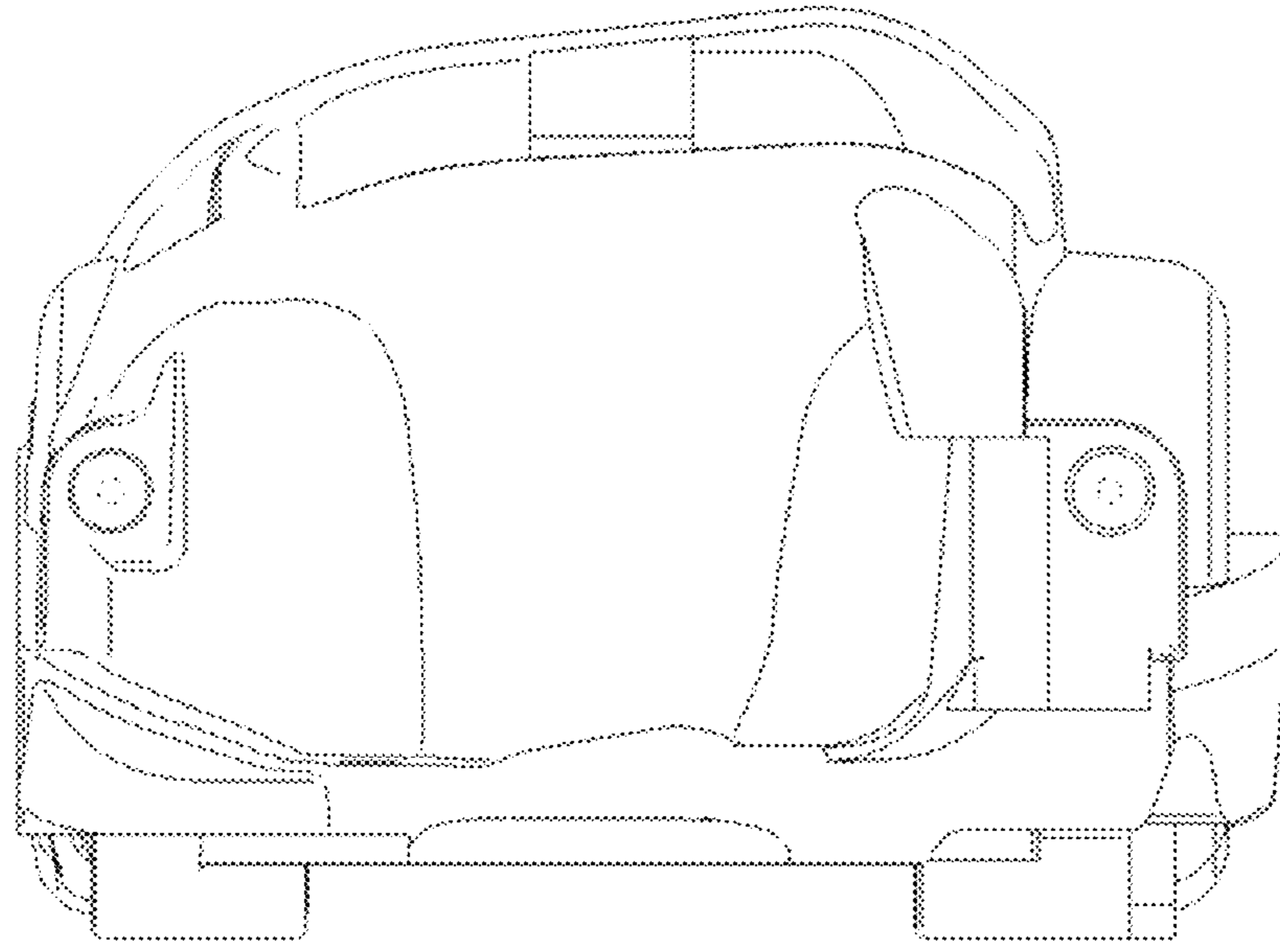


Fig. 5

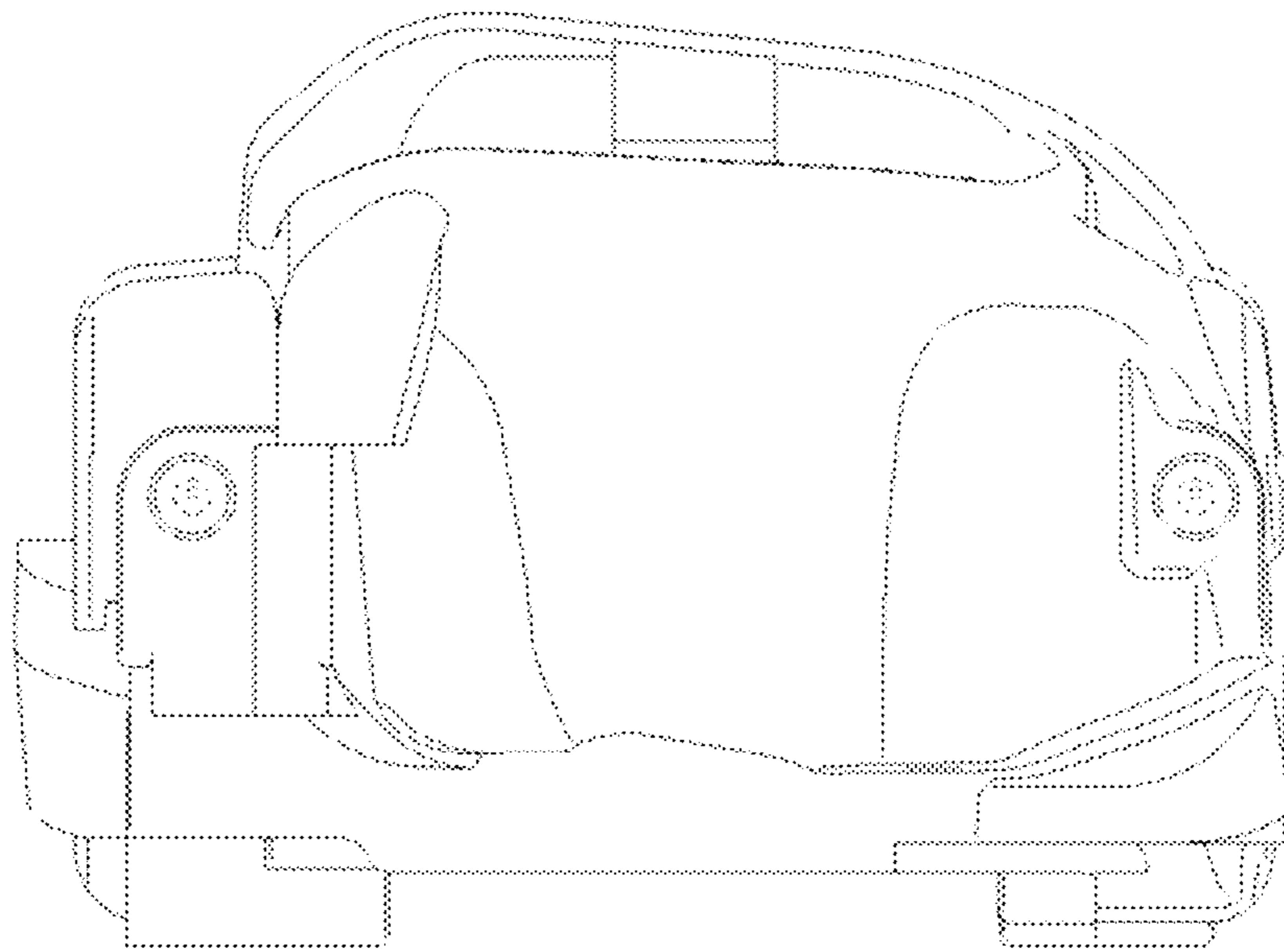


Fig. 6

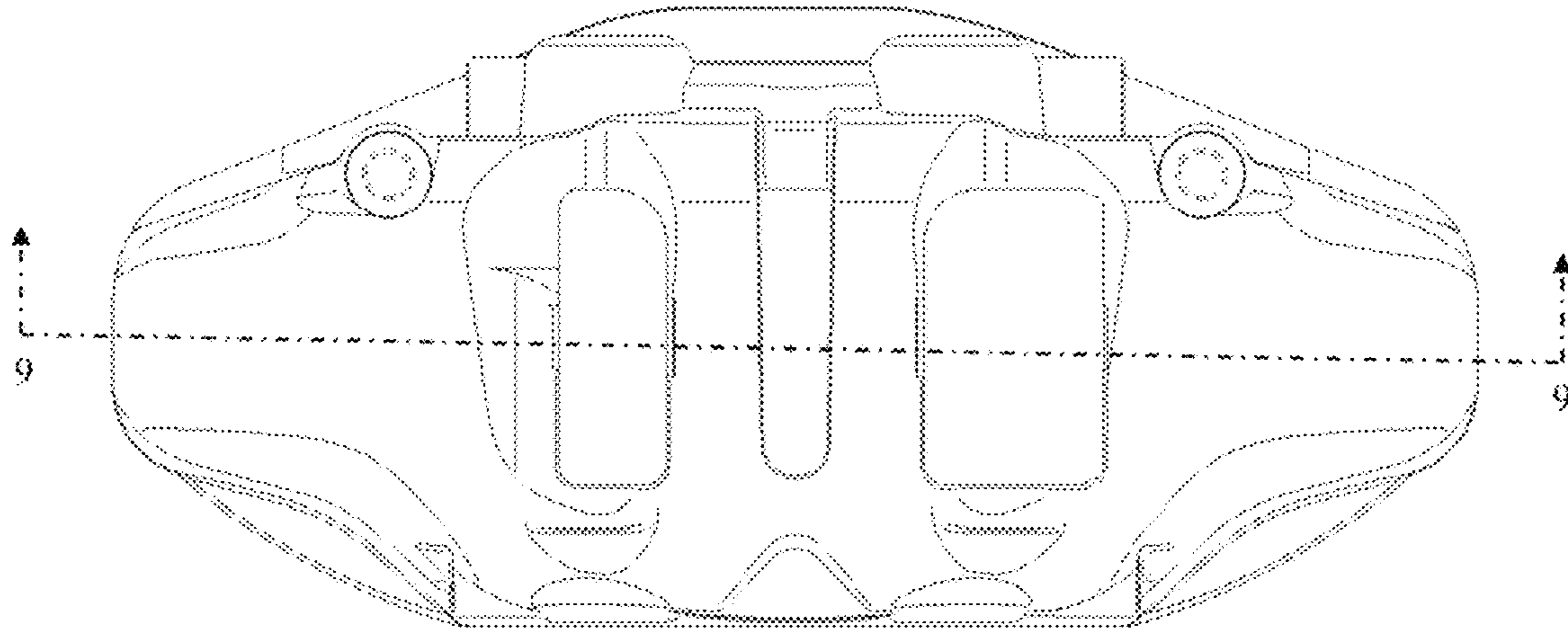


Fig. 7

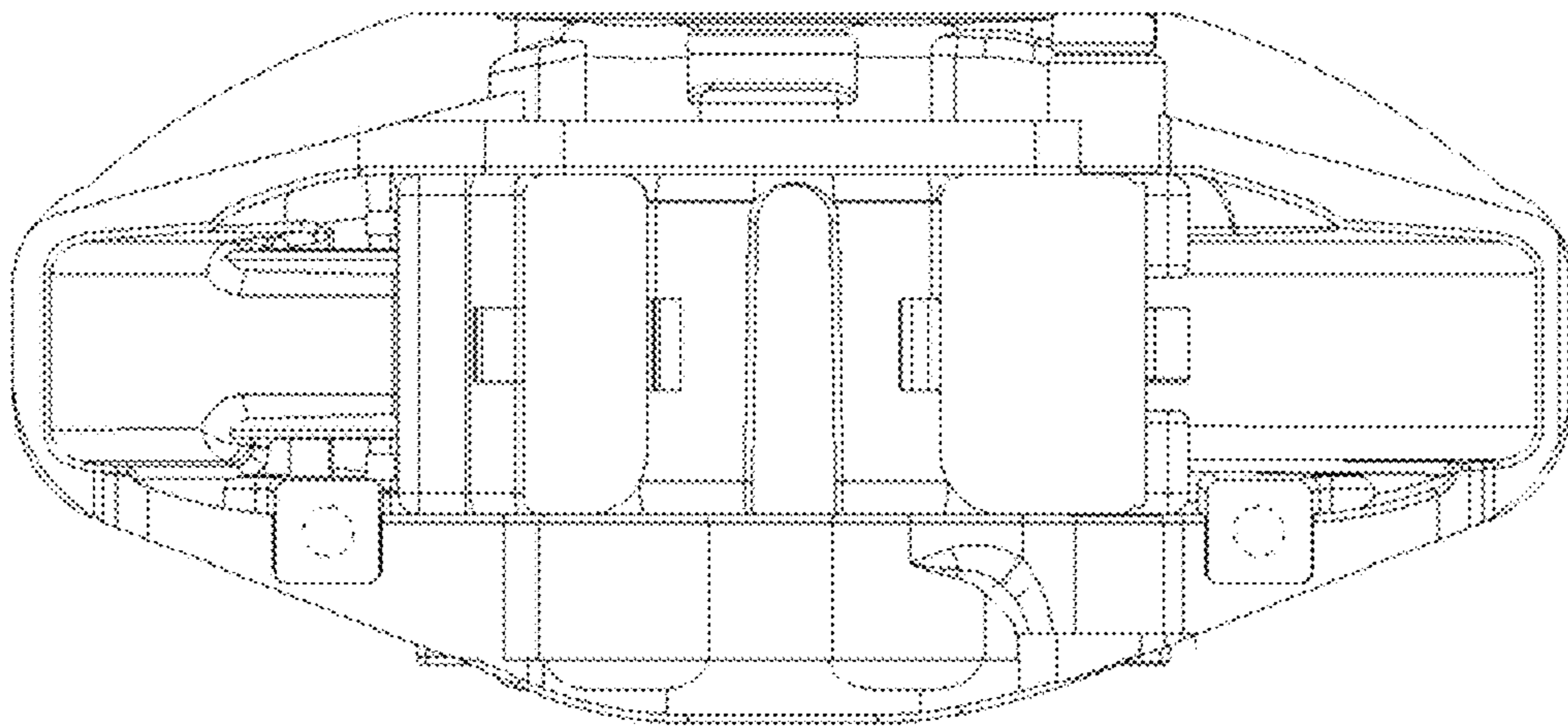


Fig. 8

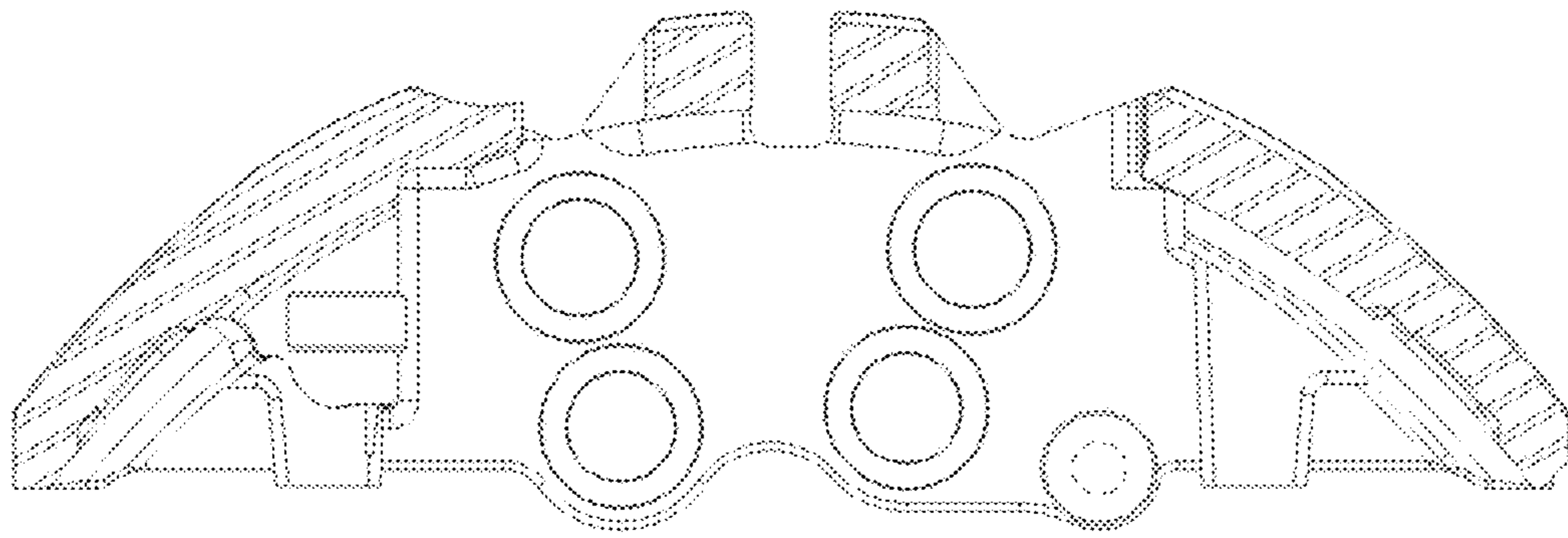


Fig. 9