



US00D831550S

(12) **United States Design Patent**  
**McLoughlin**

(10) **Patent No.:** **US D831,550 S**  
(45) **Date of Patent:** **\*\* Oct. 23, 2018**

(54) **SAFETY COVER FOR AUTOMOTIVE BRAKE PEDAL**

(71) Applicant: **John E. McLoughlin**, Hauppague, NY (US)

(72) Inventor: **John E. McLoughlin**, Hauppague, NY (US)

(\*\*) Term: **15 Years**

(21) Appl. No.: **29/636,145**

(22) Filed: **Feb. 6, 2018**

(51) **LOC (11) Cl.** ..... **12-16**

(52) **U.S. Cl.**  
USPC ..... **D12/180**

(58) **Field of Classification Search**

USPC ..... D12/14, 40, 87, 88, 92, 106, 107, 110, D12/114, 115, 117, 118, 122, 126, 160, D12/161, 162, 174, 177, 179, 180, 181, D12/189, 196, 207, 217, 223, 400, 401, D12/404, 408, 415, 420, 423  
CPC .. B32B 3/06; B60R 1/025; B60R 1/08; B60T 1/06; B60T 7/00; B60T 8/265; B60T 11/00; B60T 11/103; B60T 13/00; B60T 13/66; B60T 17/223; B60T 2201/00; B60T 2201/03; B60T 2260/00; B60T 2270/82; B60T 2270/83; B62K 23/06; B62H 5/001;

(Continued)

(56) **References Cited**

**U.S. PATENT DOCUMENTS**

490,301 A \* 1/1893 Munson ..... E03F 5/0404  
210/163  
1,139,468 A \* 5/1915 Potter ..... B07B 1/4672  
139/425 R

(Continued)

**FOREIGN PATENT DOCUMENTS**

FR 2158632 A5 6/1973  
GB 170742 A 11/1921  
JP S5063628 A 5/1975

**OTHER PUBLICATIONS**

Reggio Registers G816-ASNH, image post date 2000, site visited Jun. 19, 2018, (online), <[https://www.build.com/reggio-registers-g816-anh/s1246419?uid=2977157&source=gg-gba-pla\\_2977157!c1349633262!a52258725817!dc!ns&gclid=EAAlaQobChMI2\\_65ofHg2wIVRkCGCh3K8ge5EAQYAiABEgKlj\\_D\\_BwE](https://www.build.com/reggio-registers-g816-anh/s1246419?uid=2977157&source=gg-gba-pla_2977157!c1349633262!a52258725817!dc!ns&gclid=EAAlaQobChMI2_65ofHg2wIVRkCGCh3K8ge5EAQYAiABEgKlj_D_BwE)>.\*

(Continued)

*Primary Examiner* — Kevin K Rudzinski

*Assistant Examiner* — Sean D Lough

(74) *Attorney, Agent, or Firm* — Louise S. Heim

(57) **CLAIM**

The ornamental design for the safety cover for automotive brake pedal, as shown and described.

**DESCRIPTION**

FIG. 1 is a front perspective view of the safety cover for automotive brake pedal shown in a usage environment with an automotive brake pedal and additional surrounding environment drawn in broken lines.

FIG. 2 is a front perspective view of the safety cover for automotive brake pedal.

FIG. 3 is a bottom perspective view of the safety cover for automotive brake pedal.

FIG. 4 is a top plan view of the safety cover for automotive brake pedal.

FIG. 5 is a front elevation view of the safety cover for automotive brake pedal.

FIG. 6 is a bottom plan view of the safety cover for automotive brake pedal.

FIG. 7 is a rear elevation view of the safety cover for automotive brake pedal.

FIG. 8 is a right side elevation view of the safety cover for automotive brake pedal; and,

(Continued)

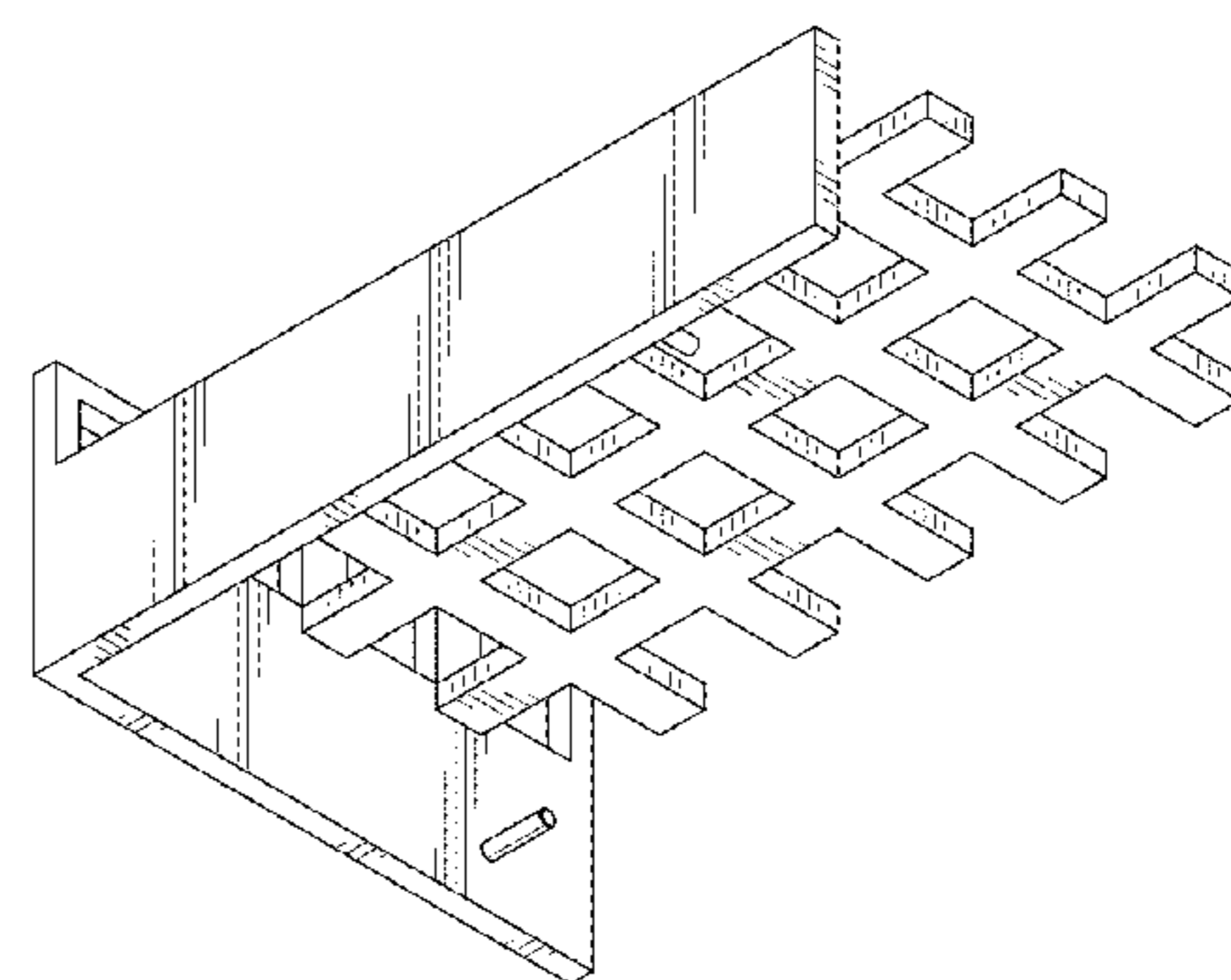
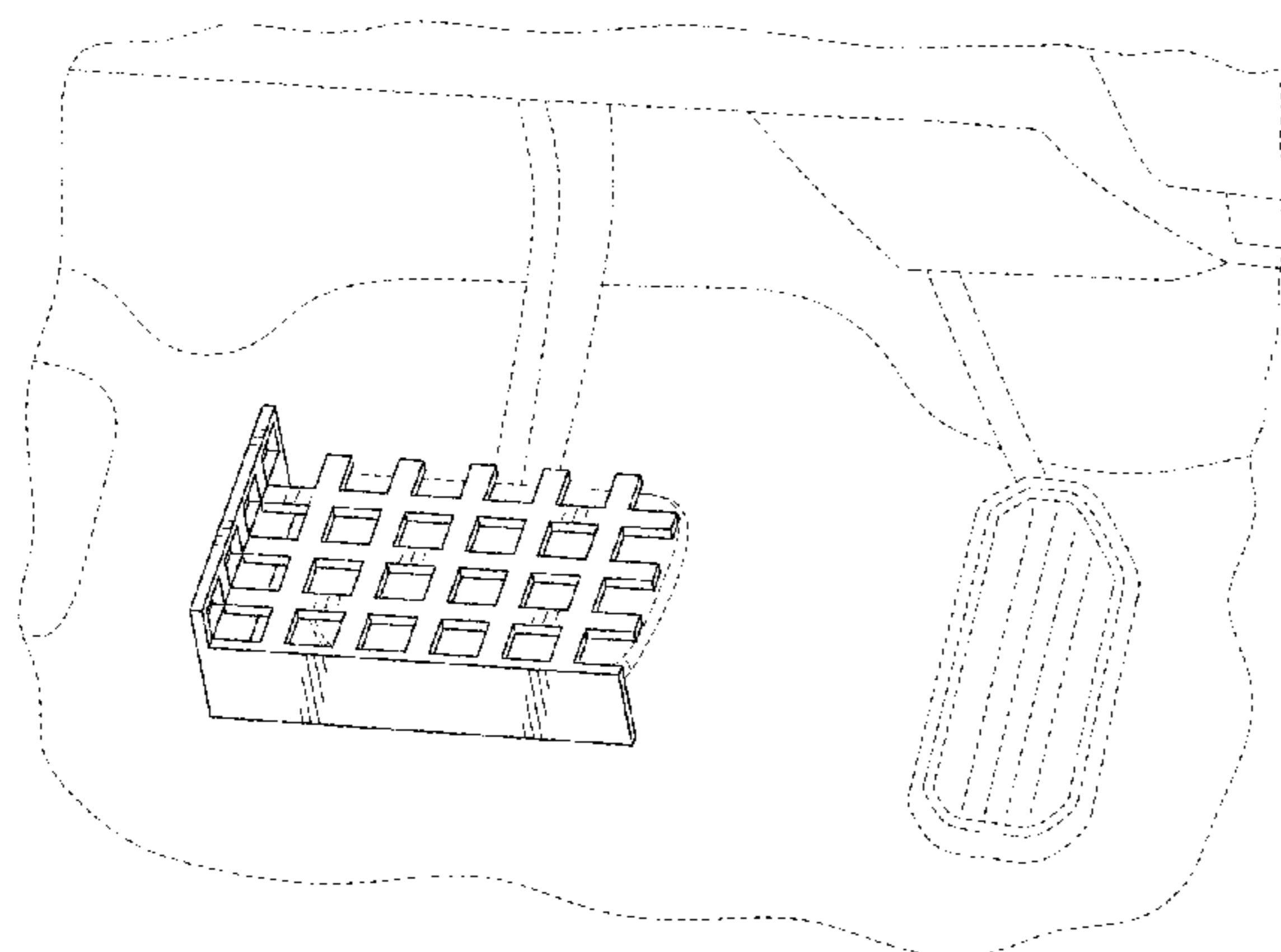


FIG. 9 is a left side elevation view of the safety cover for automotive brake pedal.

The broken lines illustrate environment of the claimed design and form no part of the claimed design.

**1 Claim, 4 Drawing Sheets**

**(58) Field of Classification Search**

CPC .... B62J 9/006; B62L 1/02; B62L 3/02; B62D 13/025; B62D 21/18; B62D 53/045; B62D 63/04; B62D 65/02; B62D 65/18; B62D 43/16; B62D 43/22; B62D 55/02; F16D 55/00; F16D 55/22; F16D 65/00; F16D 65/092; F16D 65/095; F16D 65/097; F16D 65/14; F16D 65/16; F16D 65/18; F16D 65/22; F16D 65/38; F16D 65/56; F16D 65/847; F16D 66/02; F21S 48/00; F42B 10/64; G01S 13/931

See application file for complete search history.

**(56) References Cited**

**U.S. PATENT DOCUMENTS**

1,562,993 A \* 11/1925 Stanwood ..... G05G 1/483  
74/563  
1,868,107 A \* 7/1932 Lachman ..... E04C 2/427  
52/581  
1,921,028 A \* 8/1933 Glaseock ..... B60T 11/00  
188/205 R  
2,701,027 A \* 2/1955 Scoville ..... E01C 11/227  
210/163  
3,304,685 A \* 2/1967 Whetstone ..... E04B 2/845  
52/670  
4,126,404 A \* 11/1978 Ferns ..... E03F 5/06  
210/163  
D263,294 S \* 3/1982 Kaplus ..... D12/183  
4,357,034 A \* 11/1982 McLoughlin ..... A62C 27/00  
280/751  
D267,268 S \* 12/1982 Johnson ..... D23/402  
D270,292 S \* 8/1983 Johnson ..... D25/156  
D273,998 S \* 5/1984 Ballantine ..... D25/155  
4,952,094 A \* 8/1990 Spiess ..... E02D 29/1427  
405/36  
D355,880 S \* 2/1995 Roberts ..... D12/183  
D369,404 S \* 4/1996 Vestal, Sr. .... D23/398  
D425,000 S \* 5/2000 Murnane ..... D12/183  
D429,199 S \* 8/2000 Bulaquena ..... D12/181

6,109,824 A \* 8/2000 Annes ..... E03F 5/0401  
404/25  
6,488,131 B2 \* 12/2002 Hayford ..... F16D 65/092  
188/250 B  
6,622,592 B2 9/2003 Lee  
7,040,838 B2 \* 5/2006 Allard ..... B01D 29/27  
405/36  
D531,096 S \* 10/2006 Sudo ..... D12/163  
7,303,669 B2 \* 12/2007 Monneret ..... E02D 29/1427  
210/164  
7,549,260 B2 \* 6/2009 Shepherd ..... B23P 15/12  
403/364  
7,588,392 B2 \* 9/2009 Wroblewski ..... E03F 5/06  
210/163  
D601,479 S \* 10/2009 Shaw ..... D12/217  
D609,149 S \* 2/2010 Larson ..... D12/181  
D634,693 S \* 3/2011 Anderson ..... D12/217  
D646,614 S \* 10/2011 Brockington ..... D12/217  
8,292,541 B2 \* 10/2012 Akkala ..... E03F 5/06  
210/164  
8,413,771 B2 \* 4/2013 Teagan ..... F16D 55/225  
188/264 A  
D711,804 S \* 8/2014 Assil ..... D12/203  
D718,845 S \* 12/2014 Johansen ..... D23/261  
D722,678 S \* 2/2015 Beaudoin ..... D23/261  
D727,800 S \* 4/2015 Bodah ..... D12/114  
D734,838 S \* 7/2015 Beaudoin ..... D23/261  
D740,591 S \* 10/2015 Huss ..... D6/592  
9,157,213 B2 \* 10/2015 Beaudoin ..... E05C 3/12  
D743,861 S \* 11/2015 Hodges ..... D12/181  
D746,745 S \* 1/2016 Schoonover ..... D12/190  
9,290,968 B2 \* 3/2016 Beaudoin ..... E03F 5/06  
D755,684 S \* 5/2016 Lucchesi ..... D12/125  
D764,837 S \* 8/2016 Huss ..... D6/582  
D773,967 S \* 12/2016 Dulac ..... D12/174  
2004/0112811 A1 \* 6/2004 Lindemulder ..... E03F 1/00  
210/163  
2013/0186811 A1 \* 7/2013 Kaiser ..... E03F 5/0404  
210/163  
2016/0130803 A1 \* 5/2016 Comitale ..... B32B 3/30  
428/166

**OTHER PUBLICATIONS**

Febi Clutch Pedal Pad, image post date 1987, site visited Jun. 21, 2018, (online), <[https://www.partsgeek.com/gbproducts/WC/975-01058819.html?utm\\_content=YN&utm\\_term=1987-1995%2C+2001-2006+BMW+325i+Clutch+Pedal+Pad+Febi+W0133-1643174+87-95%2C+01-06+BMW+Clutch+Pedal+Pad](https://www.partsgeek.com/gbproducts/WC/975-01058819.html?utm_content=YN&utm_term=1987-1995%2C+2001-2006+BMW+325i+Clutch+Pedal+Pad+Febi+W0133-1643174+87-95%2C+01-06+BMW+Clutch+Pedal+Pad)>.\*

\* cited by examiner

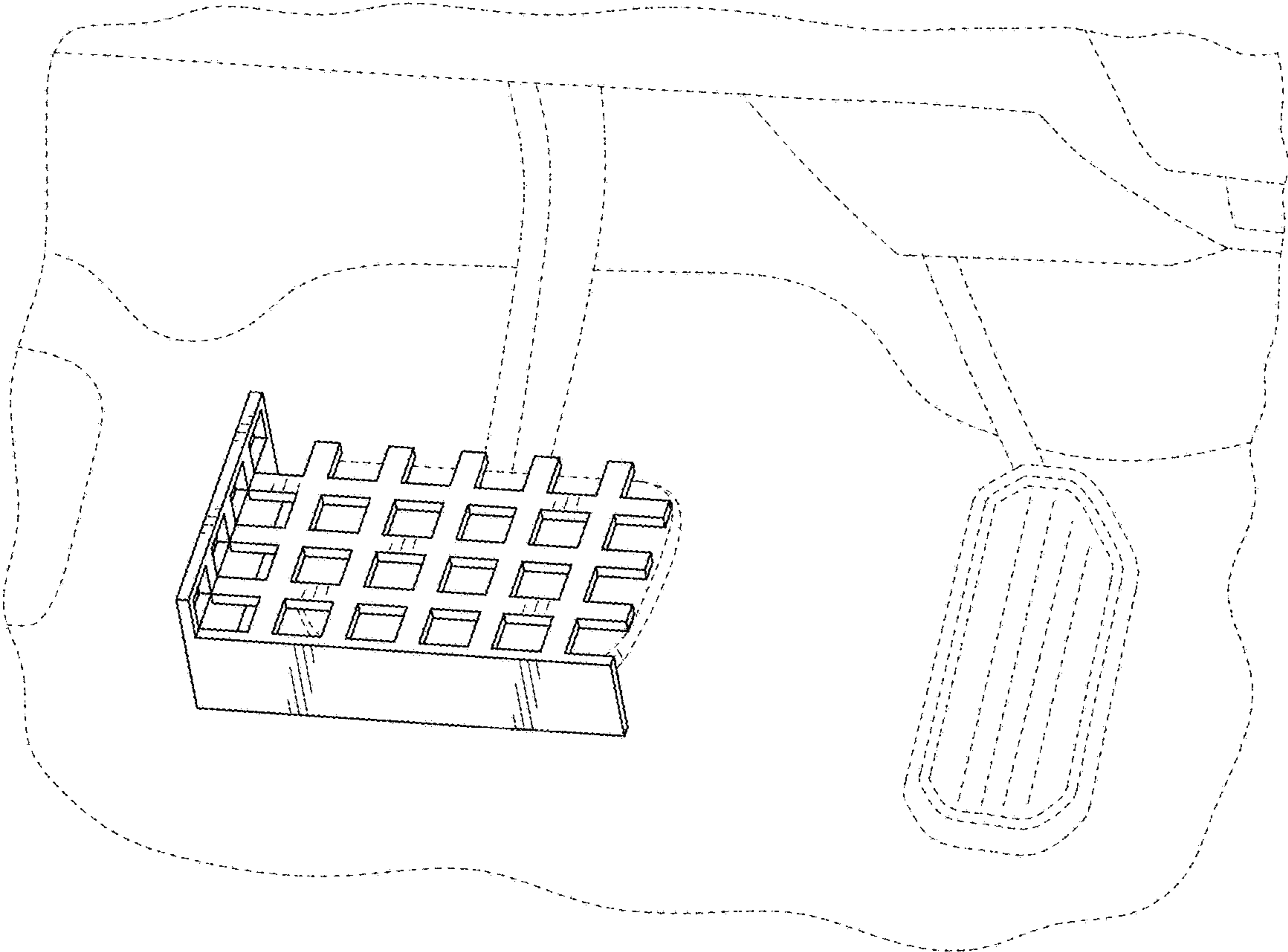
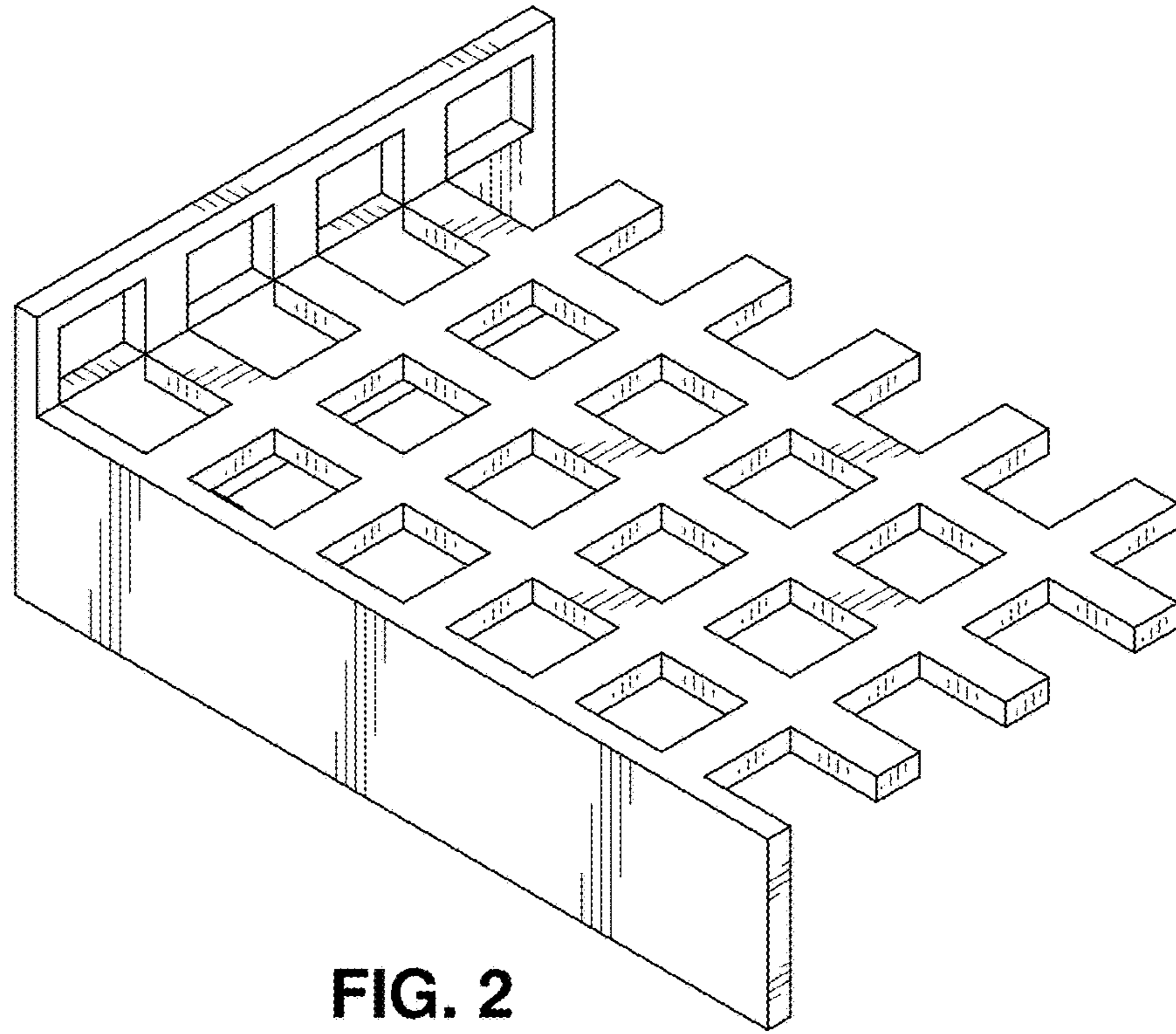
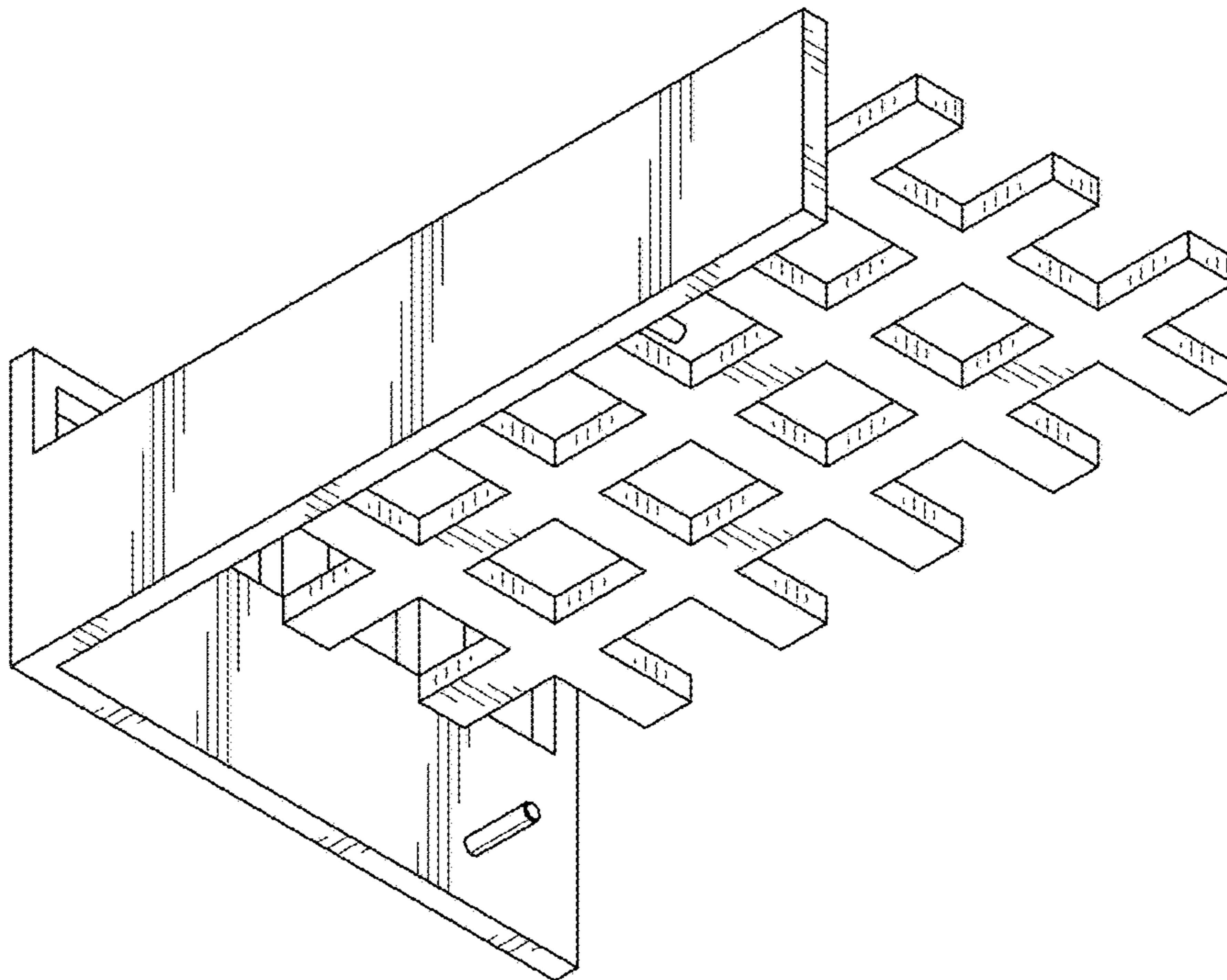


FIG. 1



**FIG. 2**



**FIG. 3**

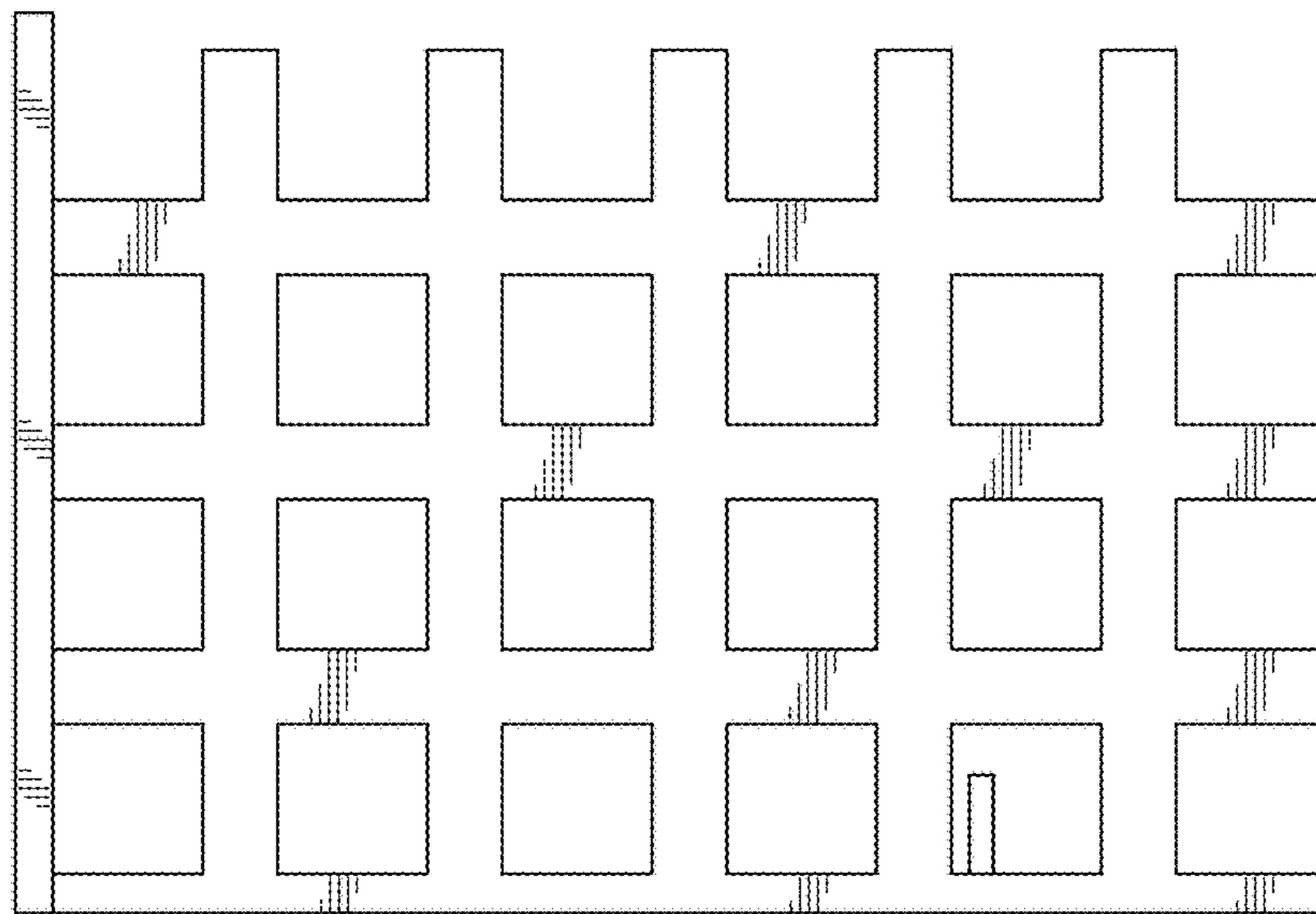


FIG. 4

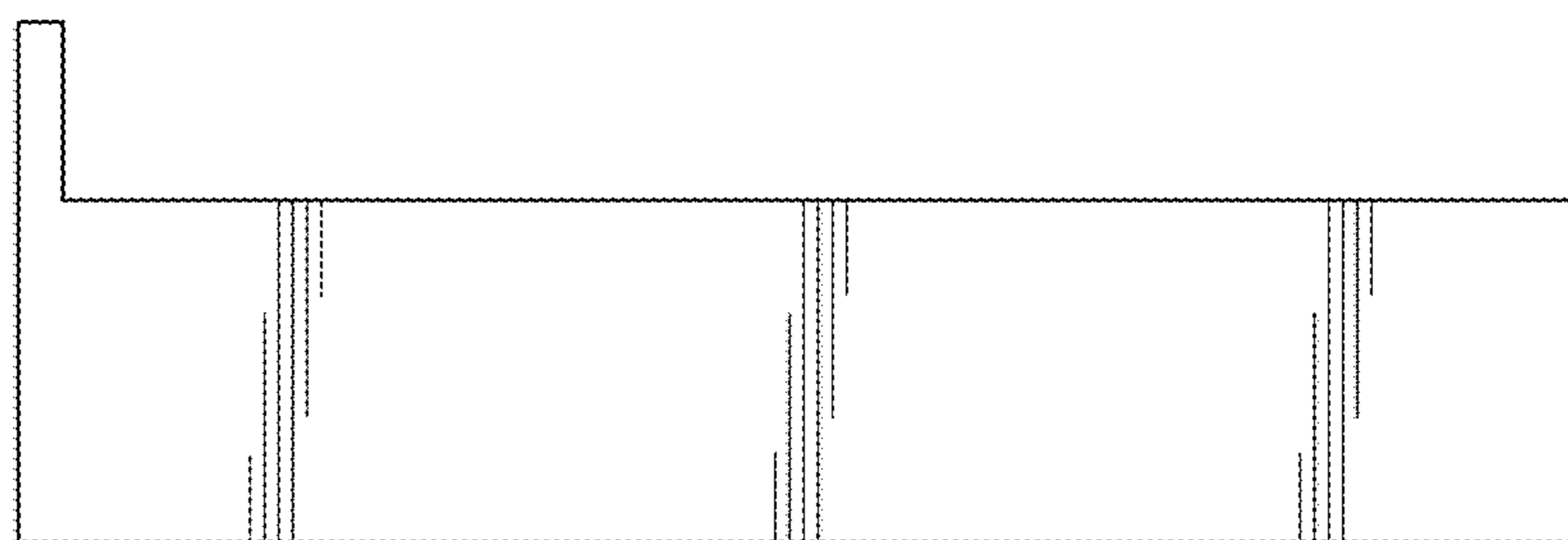


FIG. 5

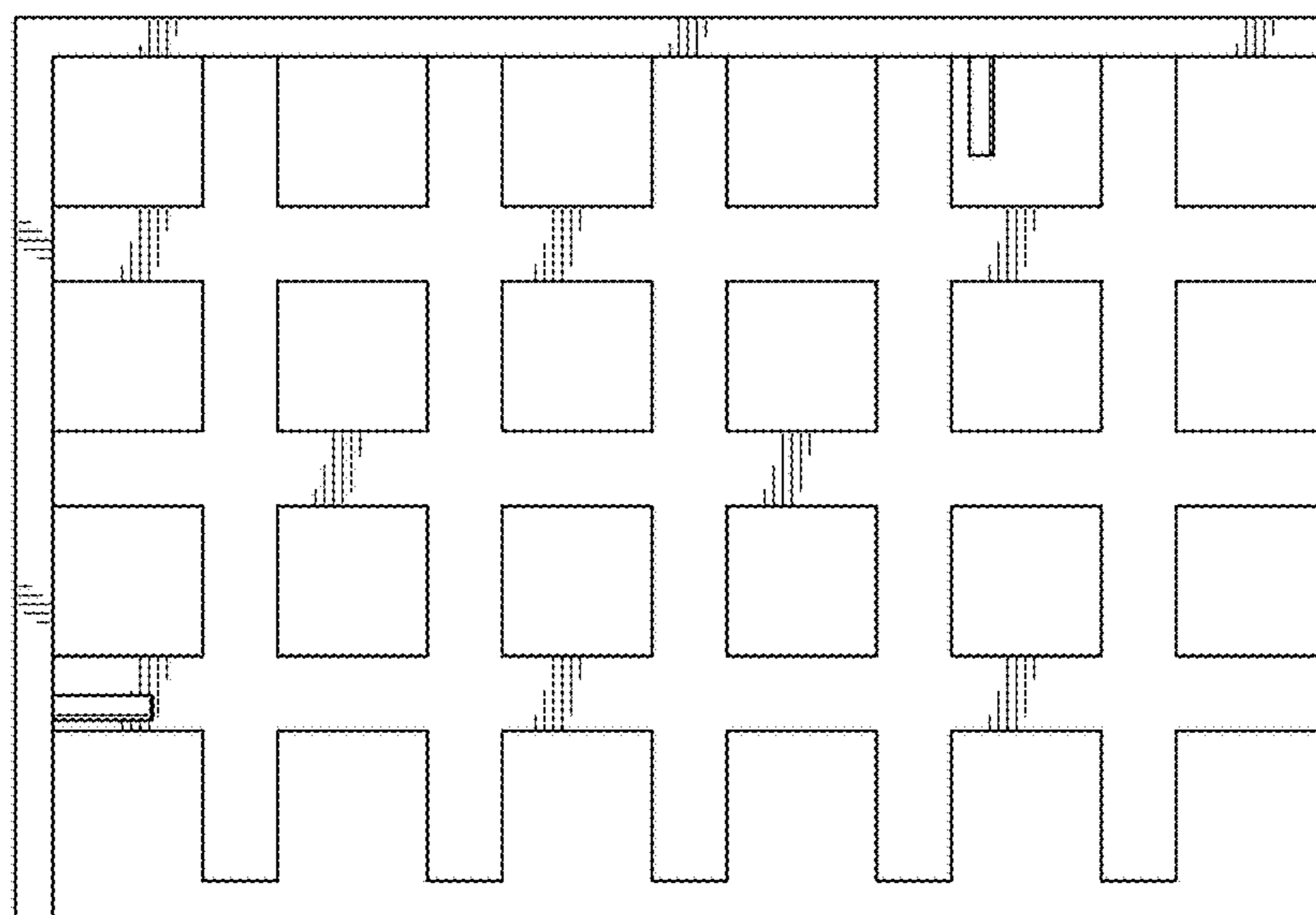


FIG. 6

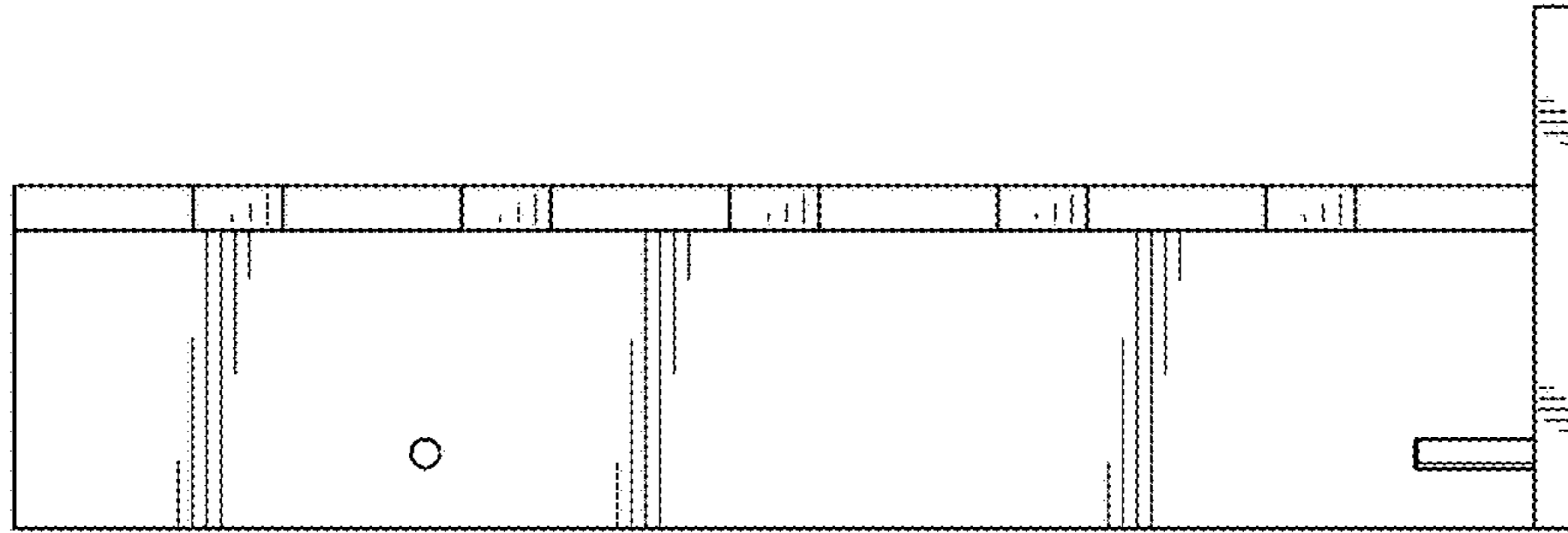


FIG. 7

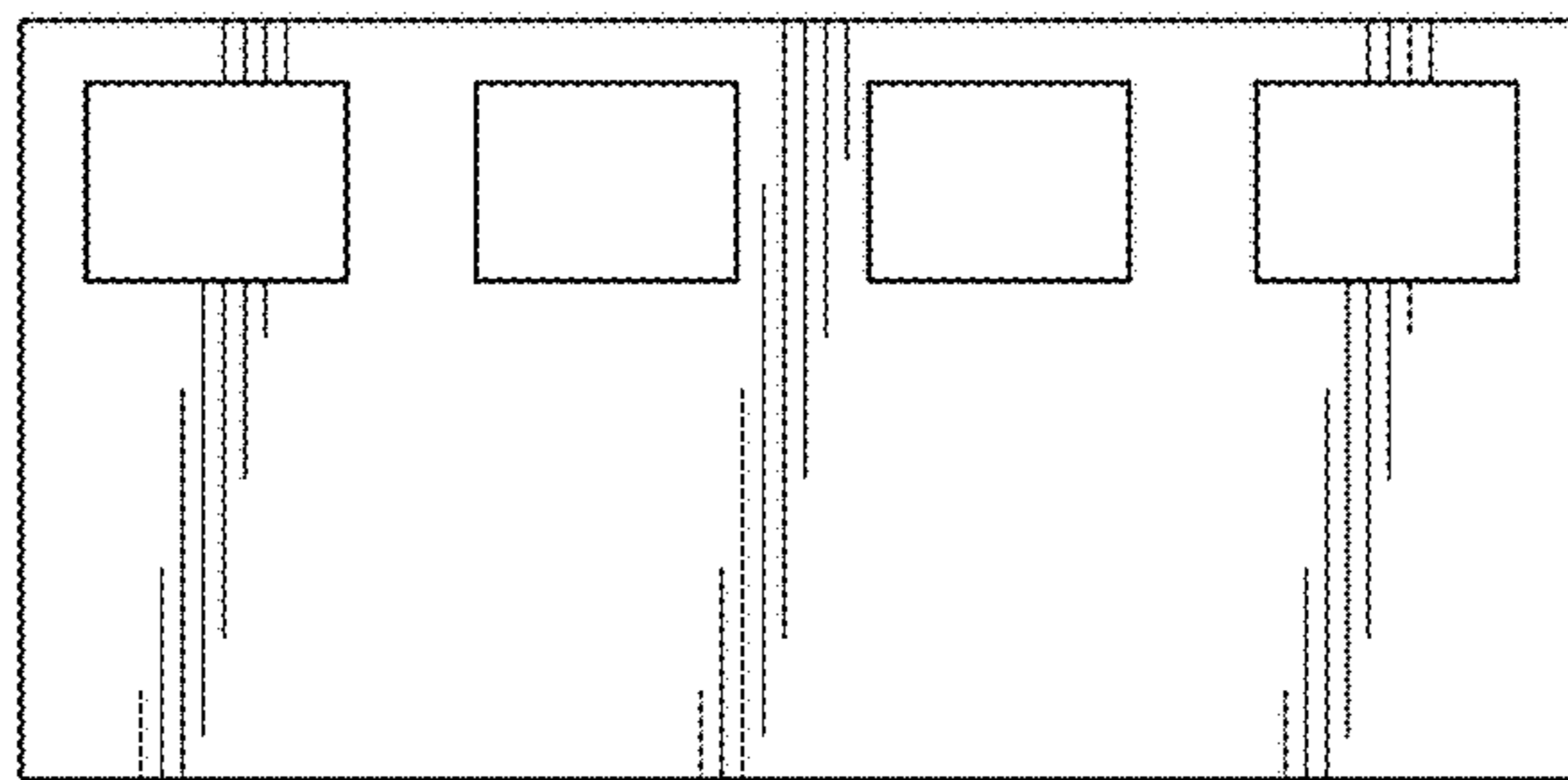


FIG. 8

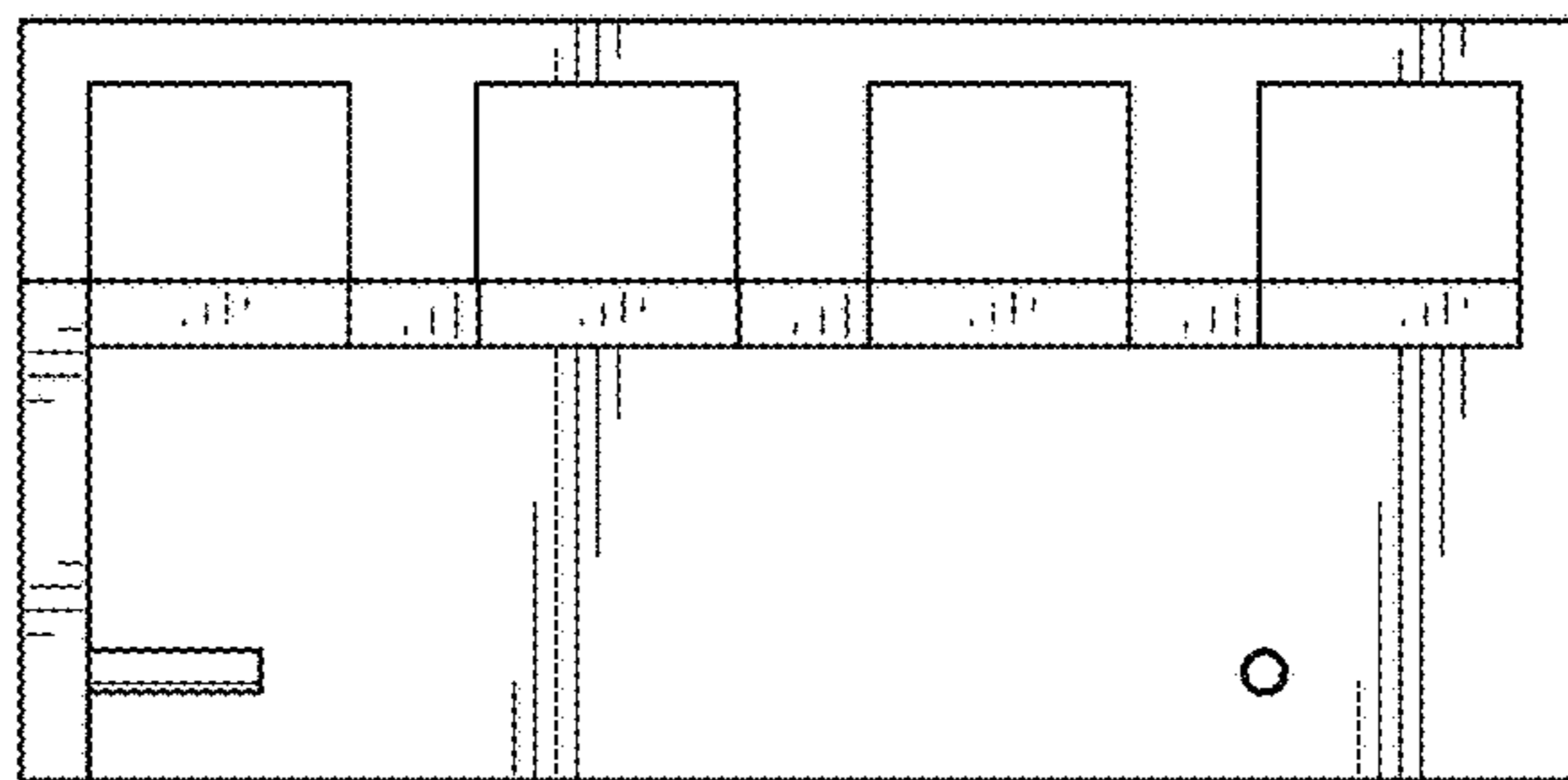


FIG. 9